



Two-Lane and Four-Lane DisplayPort Passive Switches with Separate AUX/HPD Control

General Description

The MAX4998/MAX14998 high-speed passive switches route DisplayPort™ between two possible destinations or vice versa in laptops or desktop PCs. The MAX4998/MAX14998 are intended to be used where ultra-high-speed performance and minimal input capacitance is required.

The MAX4998 has three double-pole/double-throw (DPDT) switches and one single-pole/double-throw (SPDT) switch. Two DPDT switches are for high-frequency switching, one DPDT switch is for AUX, and the one SPDT switch is for HPD. The two high-frequency switches are selected by SEL1, and the AUX and HPD are selected by SEL2. This part is suitable for two-lane DisplayPort switching.

The MAX14998 has six double-pole/double-throw (DPDT) switches. Four DPDT switches are for high-frequency switching, and two DPDT switches are for AUX and HPD. The four high-frequency switches are selected by SEL1, and the AUX and HPD are selected by SEL2. This part is suitable for four-lane DisplayPort switching.

The MAX4998/MAX14998 are fully specified to operate from a single +3.3V (typ) power supply. The MAX4998 is available in a 3.5mm x 5.5mm, 28-pin TQFN package with exposed pad, and the MAX14998 is available in a 3.5mm x 9mm, 42-pin TQFN package with exposed pad. Both devices operate over the -40°C to +85°C extended temperature range.

Applications

Notebook PCs
Desktop PCs

Features

- ◆ Single 3.3V Power-Supply Voltage
- ◆ 8.5GHz (typ) Bandwidth
- ◆ Support 1.6/5.4Gbps DisplayPort Signals
Handles DisplayPort v1.1 Signals
Handles DisplayPort v1.2 Signals
- ◆ Excellent Return Loss -13dB at 2.7GHz
- ◆ Independent High Frequency: AUX Select
- ◆ Designed for AC-Coupled Circuits
- ◆ Pass Throughs Are Maintained
- ◆ Low 850µA (max) Supply Current
- ◆ Small Packages
3.5mm x 5.5mm, 28-Pin TQFN Package with Exposed Pad
3.5mm x 9mm, 42-Pin TQFN Package with Exposed Pad
- ◆ Flow-Through Layout for Easy Board Layout
- ◆ ESD Protection for All I/O Pins: Human Body Model (HBM) ±4kV

Ordering Information

| PART | TEMP RANGE | PIN-PACKAGE |
|---------------|----------------|-------------|
| MAX4998ETI+T | -40°C to +85°C | 28 TQFN-EP* |
| MAX14998ETO+T | -40°C to +85°C | 42 TQFN-EP* |

+Denotes a lead(Pb)-free/RoHS-compliant package.

T = Tape and reel.

*EP = Exposed pad.

Typical Operating Circuit appears at end of data sheet.

DisplayPort is a trademark of Video Electronics Standards Association (VESA).



Two-Lane and Four-Lane DisplayPort Passive Switches with Separate AUX/HPD Control

ABSOLUTE MAXIMUM RATINGS

(All voltages referenced to GND, unless otherwise noted.)

| | |
|---|------------------------------------|
| V _{DD} | -0.3V to +4V |
| SEL1, SEL2, COM_, NO_, NC_ (Note 1)..... | -0.3V to +(V _{DD} + 0.3)V |
| IVCOM_ - VNO_I, IVCOM_ - VNC_I (Note 1)..... | 0 to +2V |
| Continuous Current (COM_ to NO_/NC_)..... | ±70mA |
| Peak Current (COM_ to NO_/NC_)..... | ±70mA |
| (pulsed at 1ms, 10% duty cycle)..... | ±70mA |
| Continuous Current (SEL1, SEL2)..... | ±30mA |
| Peak Current (SEL1, SEL2)..... | ±70mA |
| (pulsed at 1ms, 10% duty cycle)..... | ±70mA |
| Continuous Power Dissipation (T _A = +70°C) | |
| 28-Pin TQFN (derate 28.6mW/°C above +70°C)..... | 2285mW |
| 42-Pin TQFN (derate 34.5mW/°C above +70°C)..... | 2758mW |

| | |
|--|-----------------|
| Operating Temperature Range..... | -40°C to +85°C |
| Junction Temperature..... | +150°C |
| Storage Temperature Range..... | -65°C to +150°C |
| Package Junction-to-Ambient Thermal Resistance (θ _{JA}) (Note 2) | |
| 28-Pin TQFN..... | 35°C/W |
| 42-Pin TQFN..... | 29°C/W |
| Package Junction-to-Case Thermal Resistance (θ _{JC}) (Note 2) | |
| 28-Pin TQFN..... | 2.7°C/W |
| 42-Pin TQFN..... | 2°C/W |
| Lead Temperature (soldering, 10s)..... | +300°C |
| Soldering Temperature (reflow)..... | +260°C |

Note 1: Signals on COM_, NO_, NC_, SEL1, and SEL2 exceeding V_{DD} or GND are clamped by internal diodes. Limit forward-diode current to the maximum current rating.

Note 2: Package thermal resistances were obtained using the method described in JEDEC specification JESD51-7, using a four-layer board. For detailed information on package thermal considerations, refer to www.maxim-ic.com/thermal-tutorial.

Stresses beyond those listed under "Absolute Maximum Ratings" may cause permanent damage to the device. These are stress ratings only, and functional operation of the device at these or any other conditions beyond those indicated in the operational sections of the specifications is not implied. Exposure to absolute maximum rating conditions for extended periods may affect device reliability.

ELECTRICAL CHARACTERISTICS

(V_{DD} = +3.3V ±10%, T_A = T_{MIN} to T_{MAX}, unless otherwise noted. Typical values are at V_{DD} = +3.3V, T_A = +25°C, unless otherwise noted.) (Note 3)

| PARAMETER | SYMBOL | CONDITIONS | MIN | TYP | MAX | UNITS |
|---|---|---|-----|-----|-------------------------|-------|
| ANALOG SWITCH | | | | | | |
| Analog Signal Range | V _{COM_} , V _{NO_} , V _{NC_} | | | | (V _{DD} - 1.8) | V |
| Voltage Between COM_ and NO_/NC_ | IV _{COM_} - V _{NO_I} , IV _{COM_} - V _{NC_I} | | 0 | | 1.8 | V |
| On-Resistance | R _{ON} | I _{COM_} = 15mA; V _{NO_} , V _{NC_} = 0V, +1.2V | | 7 | | Ω |
| On-Resistance Match Between Pairs of Same Channel | ΔR _{ON} | V _{DD} = +3.0V; I _{COM_} = 15mA; V _{NO_} , V _{NC_} = 0V (Notes 4, 5) | | 0.1 | 2 | Ω |
| On-Resistance Match Between Channels | ΔR _{ON} | V _{DD} = +3.0V; I _{COM_} = 15mA; V _{NO_} , V _{NC_} = 0V (Notes 4, 5) | | 1.0 | 4 | Ω |
| On-Resistance Flatness | R _{FLAT(ON)} | V _{DD} = +3.0V; I _{COM_} = 15mA; V _{NO_} , V _{NC_} = 0V, +1.2V (Notes 5, 6) | | 0.3 | 1.5 | Ω |
| NO_ or NC_ Off-Leakage Current | I _{NO_(OFF)} , I _{NC_(OFF)} | V _{DD} = +3.6V; V _{COM_} = 0V, +1.2V; V _{NO_} or V _{NC_} = +1.2V, 0V | -1 | | 1 | μA |
| COM_ On-Leakage Current | I _{COM_(ON)} | V _{DD} = +3.6V; V _{COM_} = 0V, +1.2V; V _{NO_} or V _{NC_} = V _{COM_} or unconnected | -1 | | 1 | μA |
| DIGITAL SIGNALS | | | | | | |
| SEL1 and SEL2 to Switch Turn-On Time | t _{ON_SEL} | V _{NO_} or V _{NC_} = +1.0V, R _L = 50Ω, C _L = 100pF (Figure 1) | | 45 | 120 | ns |

Two-Lane and Four-Lane DisplayPort Passive Switches with Separate AUX/HPD Control

ELECTRICAL CHARACTERISTICS (continued)

(V_{DD} = +3.3V ±10%, T_A = T_{MIN} to T_{MAX}, unless otherwise noted. Typical values are at V_{DD} = +3.3V, T_A = +25°C, unless otherwise noted.) (Note 3)

| PARAMETER | SYMBOL | CONDITIONS | MIN | TYP | MAX | UNITS |
|---------------------------------------|----------------------|---|-----|-------|-----|-------|
| SEL1 and SEL2 to Switch Turn-Off Time | t _{OFF_SEL} | V _{NO_} or V _{NC_} = +1.0V, R _L = 50Ω, C _L = 100pF (Figure 1) | | 5 | 50 | ns |
| Differential Insertion Loss | SDD21 | f = 0.8GHz (Figure 2) | | -0.67 | | dB |
| | | f = 1.35GHz (Figure 2) | | -0.95 | | |
| Differential Crosstalk | SDDCTK | f = 0.8GHz (Figure 2) | | -37 | | dB |
| | | f = 1.35GHz (Figure 2) | | -34 | | |
| Differential Return Loss | SDD11 | f = 0.8GHz (Figure 2) | | -20 | | dB |
| | | f = 1.35GHz (Figure 2) | | -14 | | |
| Signal Data Rate | BR | R _S = R _L = 100Ω balanced | | 17 | | Gbps |
| Differential -3dB Bandwidth | f-3BW | R _S = R _L = 100Ω balanced | | 8.5 | | GHz |
| Differential Off-Isolation | SDD21_OFF | f = 1.35GHz (Figure 2) | | -28 | | dB |
| LOGIC INPUT (SEL1, SEL2) | | | | | | |
| Input Logic-High | V _{IH} | | 1.4 | | | V |
| Input Logic-Low | V _{IL} | | | | 0.5 | V |
| Input Logic Hysteresis | V _{HYST} | | | 100 | | mV |
| Input Leakage Current | I _{IN} | V _{SEL_} = 0V or V _{DD} | -1 | | +1 | μA |
| POWER SUPPLY | | | | | | |
| Power-Supply Range | V _{DD} | | 3.0 | | 3.6 | V |
| V _{DD} Supply Current | I _{DD} | V _{SEL_} = 0V or V _{DD} | | 500 | 850 | μA |

Note 3: All units are 100% production tested at T_A = +85°C. Limits over the operating temperature range are guaranteed by design and characterization and are not production tested.

Note 4: ΔRON = RON(MAX) - RON(MIN).

Note 5: Guaranteed by design. Not production tested.

Note 6: Flatness is defined as the difference between the maximum and minimum value of on-resistance as measured over the specified analog signal range.

Test Circuits/Timing Diagrams

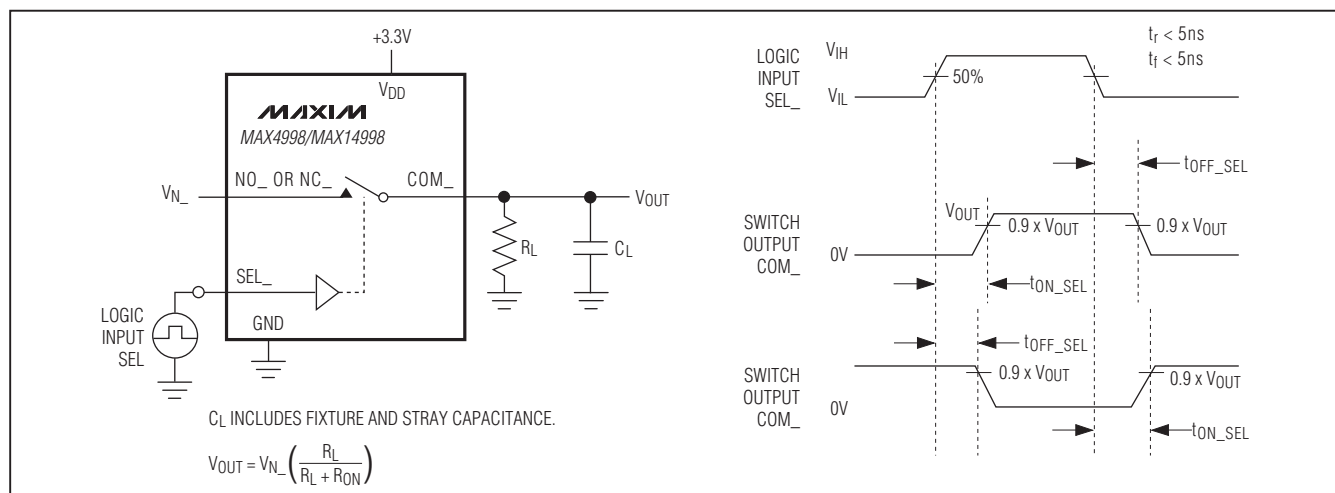
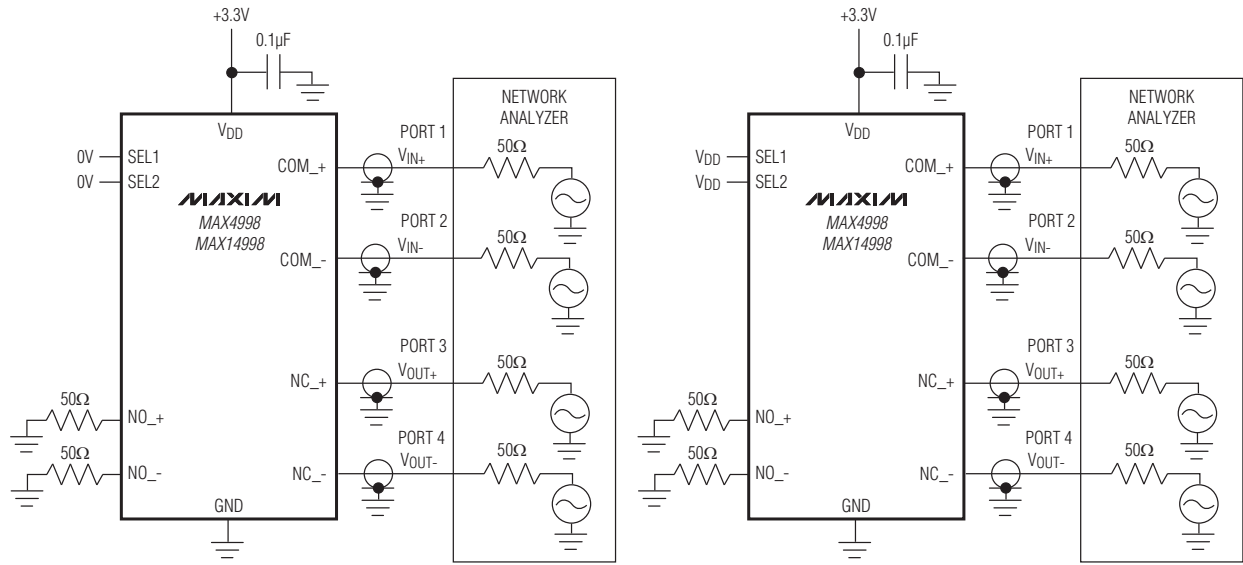


Figure 1. Switching Time

Two-Lane and Four-Lane DisplayPort Passive Switches with Separate AUX/HPD Control

Test Circuits/Timing Diagrams (continued)

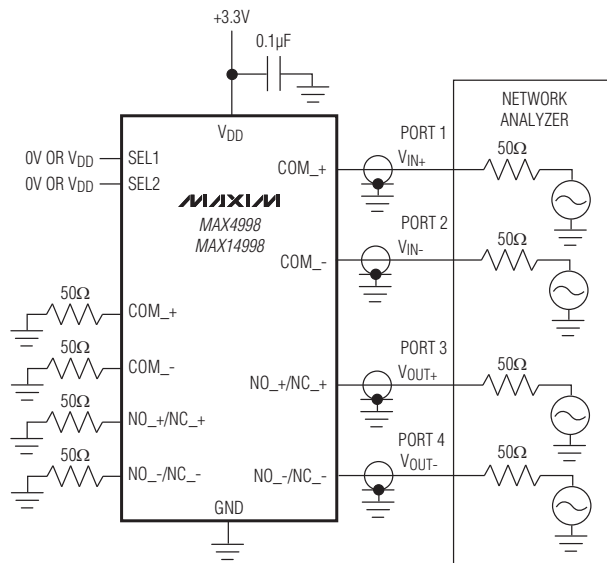


DIFFERENTIAL INSERTION LOSS/DIFFERENTIAL RETURN LOSS

$$\text{DIFFERENTIAL INSERTION LOSS} = 20 \log \left(\frac{V_{OUT+} - V_{OUT-}}{V_{IN+} - V_{IN-}} \right)$$

DIFFERENTIAL OFF-ISOLATION

$$\text{DIFFERENTIAL OFF-ISOLATION} = 20 \log \left(\frac{V_{OUT+} - V_{OUT-}}{V_{IN+} - V_{IN-}} \right)$$



DIFFERENTIAL CROSSTALK

$$\text{DIFFERENTIAL CROSSTALK} = 20 \log \left(\frac{V_{OUT+} - V_{OUT-}}{V_{IN+} - V_{IN-}} \right)$$

MEASUREMENTS ARE STANDARDIZED AGAINST SHORTS AT IC TERMINALS.
 DIFFERENTIAL OFF-ISOLATION IS MEASURED BETWEEN COM_ AND "OFF" NO_ OR NC_ TERMINAL ON EACH SWITCH.
 DIFFERENTIAL ON-LOSS IS MEASURED BETWEEN COM_ AND "ON" NO_ OR NC_ TERMINAL ON EACH SWITCH.
 DIFFERENTIAL CROSSTALK IS MEASURED BETWEEN ANY TWO PAIRS.

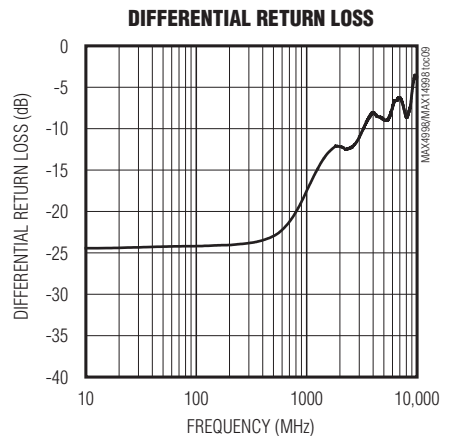
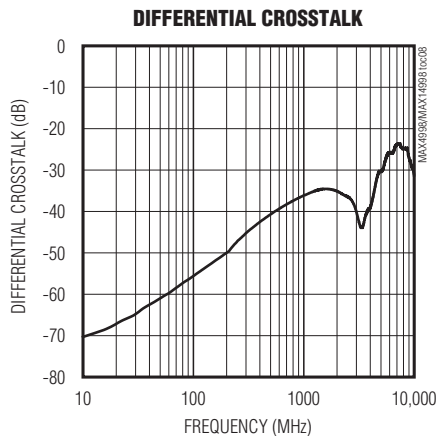
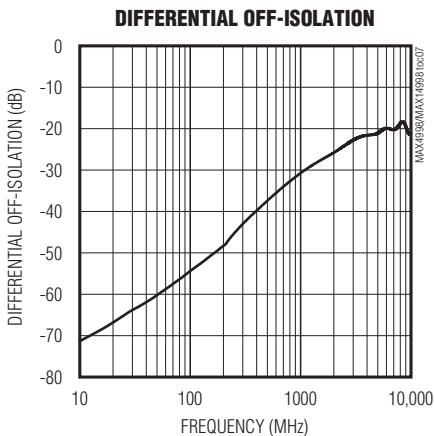
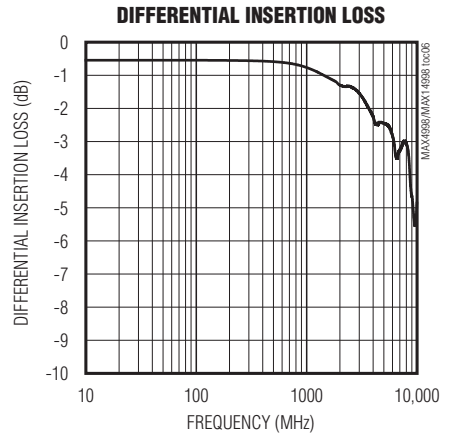
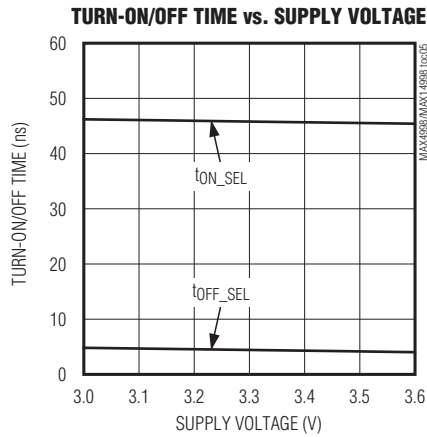
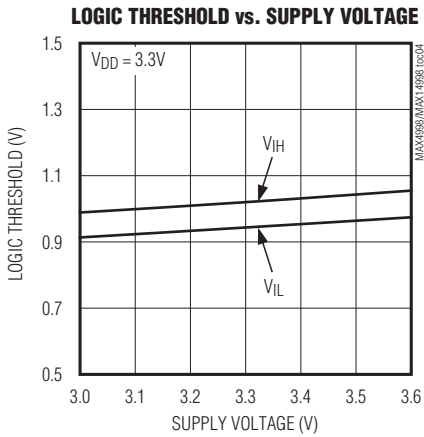
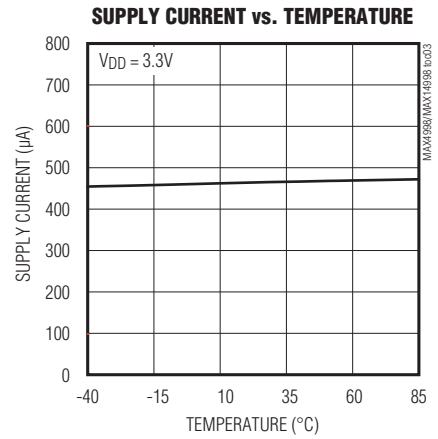
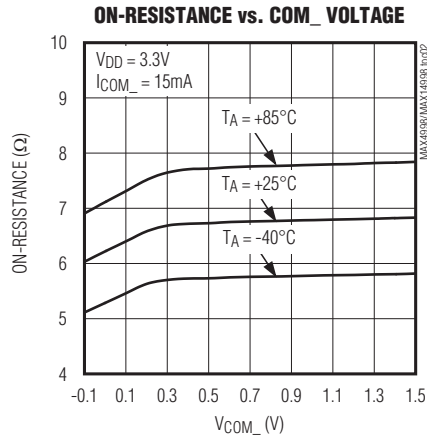
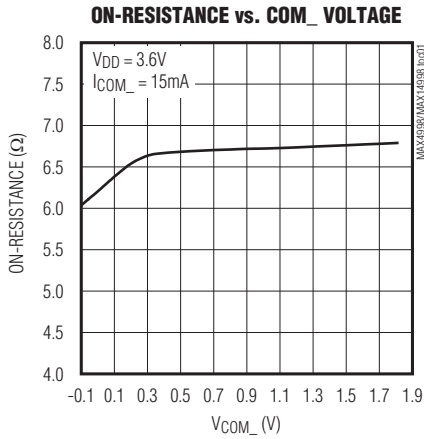
Figure 2. Differential On-Loss, Differential Off-Isolation, and Differential Crosstalk

Two-Lane and Four-Lane DisplayPort Passive Switches with Separate AUX/HPD Control

Typical Operating Characteristics

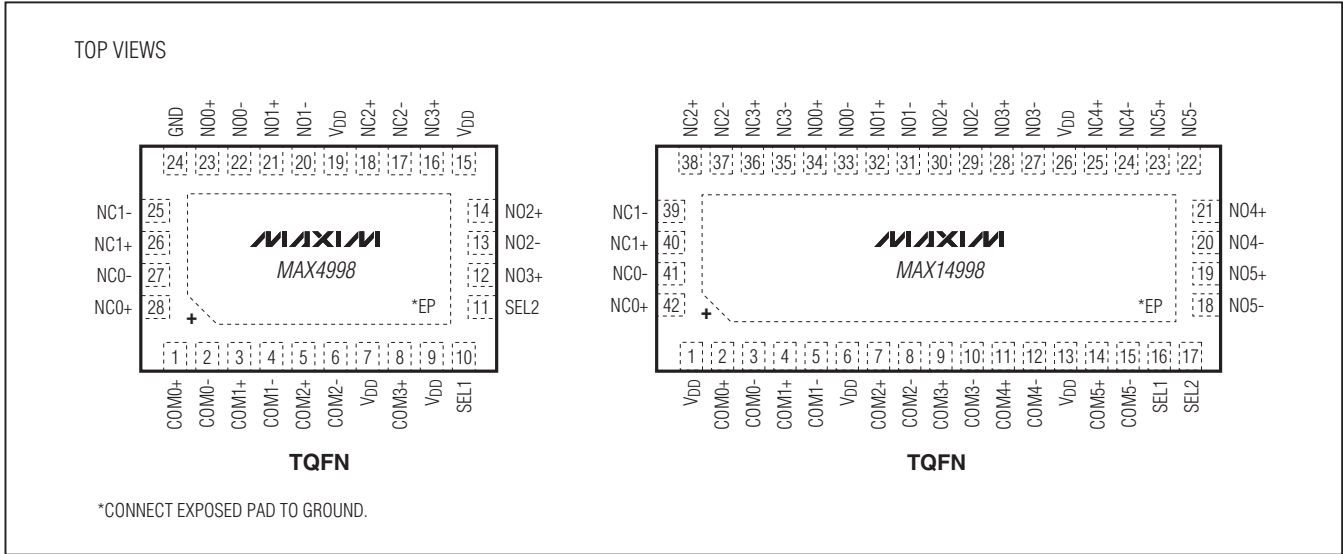
($T_A = +25^\circ\text{C}$, unless otherwise noted.)

MAX4998/MAX14998



Two-Lane and Four-Lane DisplayPort Passive Switches with Separate AUX/HPD Control

Pin Configurations



Pin Description

| PIN | | NAME | FUNCTION |
|--------------|--------------|-------|--|
| MAX4998 | MAX14998 | | |
| 1 | 2 | COM0+ | Analog Switch 1. Common positive terminal. |
| 2 | 3 | COM0- | Analog Switch 1. Common negative terminal. |
| 3 | 4 | COM1+ | Analog Switch 2. Common positive terminal. |
| 4 | 5 | COM1- | Analog Switch 2. Common negative terminal. |
| 5 | 7 | COM2+ | Analog Switch 3. Common positive terminal. |
| 6 | 8 | COM2- | Analog Switch 3. Common negative terminal. |
| 7, 9, 15, 19 | 1, 6, 13, 26 | VDD | Positive Supply Voltage Input. Connect VDD to a +3.0V to +3.6V supply voltage. Bypass VDD to GND with a 0.1µF ceramic capacitor placed as close to the device as possible (see the <i>Board Layout</i> section). |
| 8 | 9 | COM3+ | Analog Switch 4. Common positive terminal. |
| 10 | 16 | SEL1 | Control Signal Input. Selects high-frequency switching. |
| 11 | 17 | SEL2 | Control Signal Input. Selects AUX/HPD. |
| 12 | 28 | NO3+ | Analog Switch 4. Normally Open positive terminal. |
| 13 | 29 | NO2- | Analog Switch 3. Normally Open negative terminal. |
| 14 | 30 | NO2+ | Analog Switch 3. Normally Open positive terminal. |
| 16 | 36 | NC3+ | Analog Switch 4. Normally Closed positive terminal. |
| 17 | 37 | NC2- | Analog Switch 3. Normally Closed negative terminal. |
| 18 | 38 | NC2+ | Analog Switch 3. Normally Closed positive terminal. |
| 20 | 31 | NO1- | Analog Switch 2. Normally Open negative terminal. |
| 21 | 32 | NO1+ | Analog Switch 2. Normally Open positive terminal. |
| 22 | 33 | NO0- | Analog Switch 1. Normally Open negative terminal. |

Two-Lane and Four-Lane DisplayPort Passive Switches with Separate AUX/HPD Control

MAX4998/MAX14998

Pin Description (continued)

| PIN | | NAME | FUNCTION |
|---------|----------|-------|---|
| MAX4998 | MAX14998 | | |
| 23 | 34 | NO0+ | Analog Switch 1. Normally Open positive terminal. |
| 24 | — | GND | Ground |
| 25 | 39 | NC1- | Analog Switch 2. Normally Closed negative terminal. |
| 26 | 40 | NC1+ | Analog Switch 2. Normally Closed positive terminal. |
| 27 | 41 | NC0- | Analog Switch 1. Normally Closed negative terminal. |
| 28 | 42 | NC0+ | Analog Switch 1. Normally Closed positive terminal. |
| — | 10 | COM3- | Analog Switch 4. Common negative terminal. |
| — | 11 | COM4+ | Analog Switch 5. Common positive terminal. |
| — | 12 | COM4- | Analog Switch 5. Common negative terminal. |
| — | 14 | COM5+ | Analog Switch 6. Common positive terminal. |
| — | 15 | COM5- | Analog Switch 6. Common negative terminal. |
| — | 18 | NO5- | Analog Switch 6. Normally Open negative terminal. |
| — | 19 | NO5+ | Analog Switch 6. Normally Open positive terminal. |
| — | 20 | NO4- | Analog Switch 5. Normally Open negative terminal. |
| — | 21 | NO4+ | Analog Switch 5. Normally Open positive terminal. |
| — | 22 | NC5- | Analog Switch 6. Normally Closed negative terminal. |
| — | 23 | NC5+ | Analog Switch 6. Normally Closed positive terminal. |
| — | 24 | NC4- | Analog Switch 5. Normally Closed negative terminal. |
| — | 25 | NC4+ | Analog Switch 5. Normally Closed positive terminal. |
| — | 27 | NO3- | Analog Switch 4. Normally Open negative terminal. |
| — | 35 | NC3- | Analog Switch 4. Normally Closed negative terminal. |
| — | — | EP | Exposed Pad. Internally connected to GND. Connect to a large plane to maximize thermal performance. Not intended as an electrical part. |

Detailed Description

The MAX4998/MAX14998 high-speed passive switches route one DisplayPort source between two possible destinations or vice versa. The MAX4998 is used to switch two-lanes plus AUX/HPD DisplayPort, and the MAX14998 is used to switch four-lanes plus AUX/HPD DisplayPort.

The MAX4998/MAX14998 feature two digital control inputs (SEL1, SEL2) to switch signal paths.

Digital Control Inputs (SEL1, SEL2)

The MAX4998/MAX14998 provide two digital control inputs (SEL1, SEL2) to select the signal path between the COM_ and NO_/NC_ channels. SEL1 selects high-frequency switching, while SEL2 selects AUX/HPD. On the MAX4998, switches 1 and 2 are high-frequency

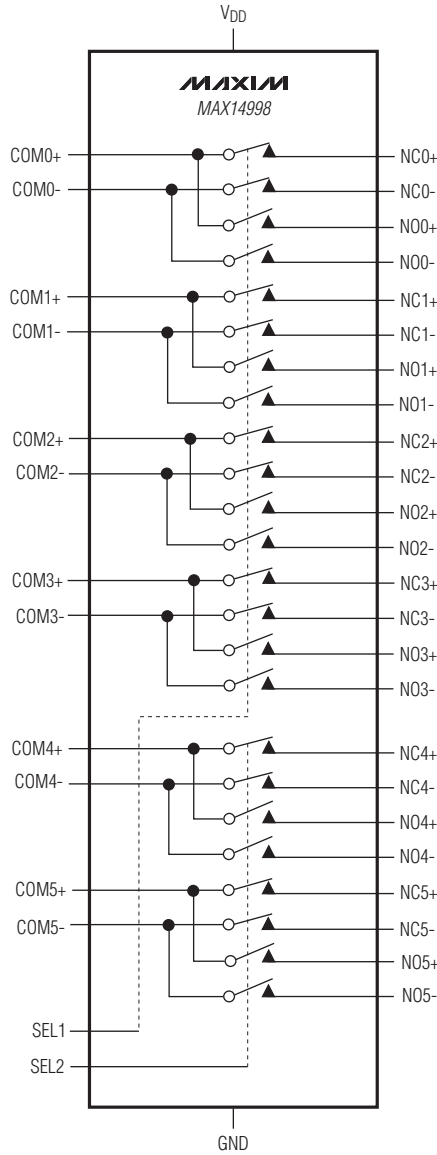
switches and switches 3 and 4 are both low-frequency switches. On the MAX14998, switches 1, 2, 3, and 4 are high-frequency switches and switches 5 and 6 are low-frequency switches. The truth tables for the MAX4998/MAX14998 are depicted in the *Functional Diagrams/Truth Tables*. Drive SEL_ 0V to VDD to minimize power consumption.

Analog Signal Levels

The MAX4998/MAX14998 accept standard DisplayPort signals to a maximum of (VDD - 1.8V). Signals on the COM_+ channels are routed to either the NO_+ or NC_+ channels. Signals on the COM_- channels are routed to either the NO_- or NC_- channels. The MAX4998/MAX14998 are bidirectional switches, allowing COM_, NO_, and NC_, to be used as either inputs or outputs.

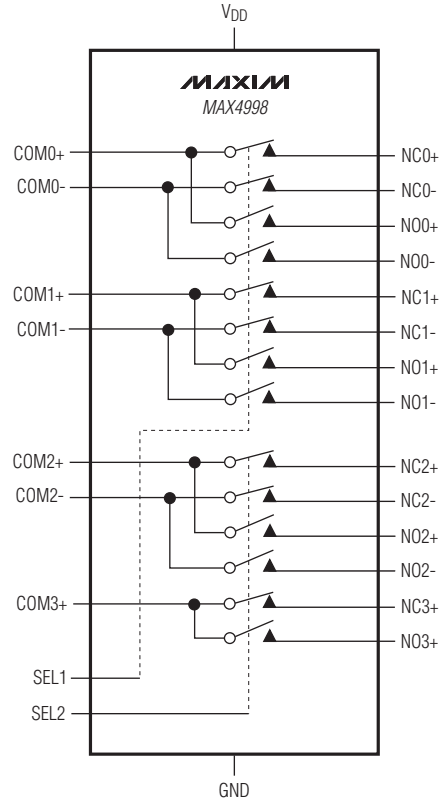
Two-Lane and Four-Lane DisplayPort Passive Switches with Separate AUX/HPD Control

Functional Diagrams/Truth Tables



| SEL1 | EVENT | SWITCH |
|------|-------------|------------|
| 0 | COM_ TO NC_ | 1, 2, 3, 4 |
| 1 | COM_ TO NO_ | 1, 2, 3, 4 |

| SEL2 | EVENT | SWITCH |
|------|-------------|--------|
| 0 | COM_ TO NC_ | 5, 6 |
| 1 | COM_ TO NO_ | 5, 6 |



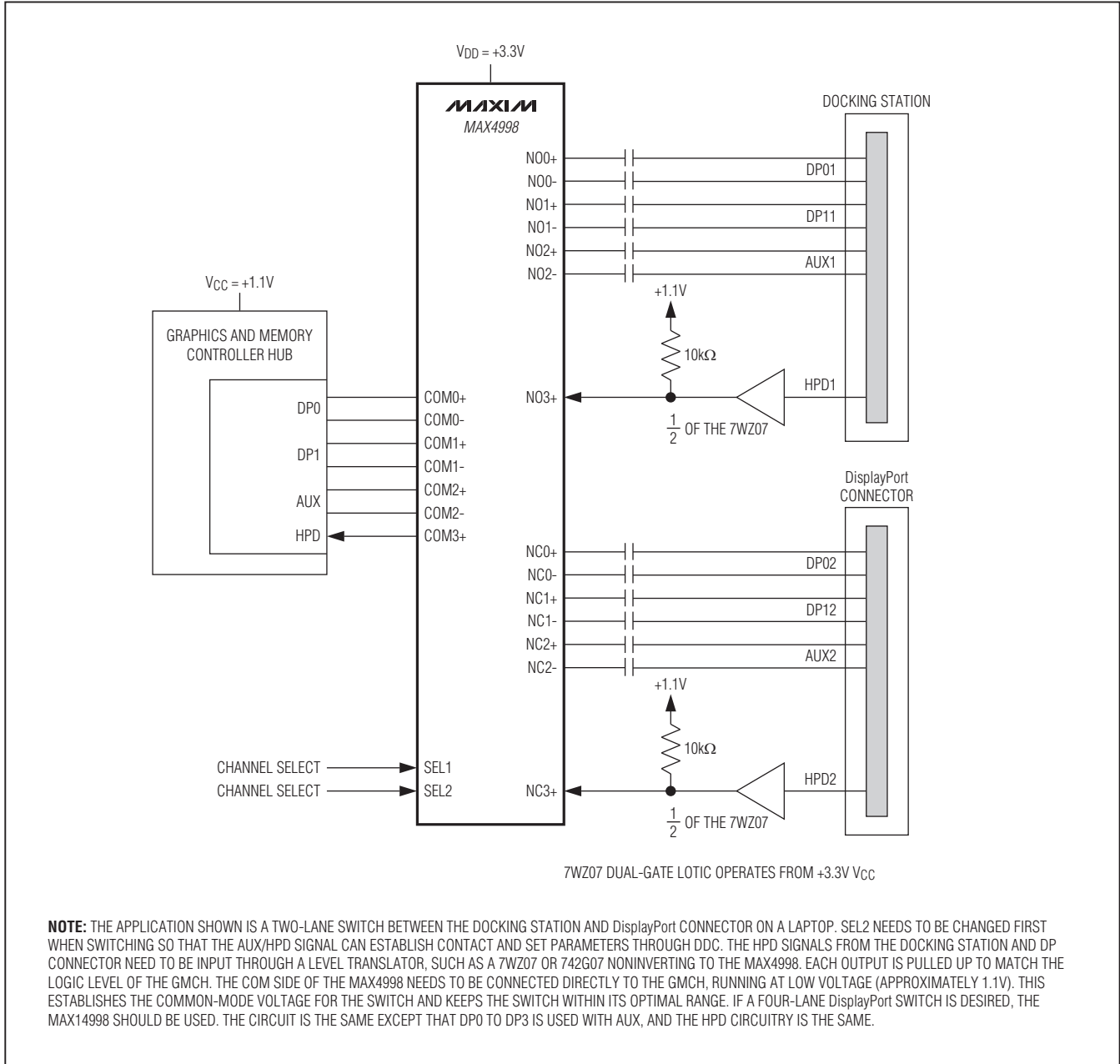
| SEL1 | EVENT | SWITCH |
|------|-------------|--------|
| 0 | COM_ TO NC_ | 1, 2 |
| 1 | COM_ TO NO_ | 1, 2 |

| SEL2 | EVENT | SWITCH |
|------|-------------|--------|
| 0 | COM_ TO NC_ | 3, 4 |
| 1 | COM_ TO NO_ | 3, 4 |

Two-Lane and Four-Lane DisplayPort Passive Switches with Separate AUX/HPD Control

Typical Operating Circuit

MAX4998/MAX14998



Two-Lane and Four-Lane DisplayPort Passive Switches with Separate AUX/HPD Control

Applications Information

Board Layout

High-speed switches require proper layout and design procedures for optimum performance. Keep design-controlled impedance PCB traces as short as possible. Ensure that power-supply bypass capacitors are placed as close to the device as possible. Multiple bypass capacitors are recommended. Connect all grounds and the exposed pad to large ground planes.

Chip Information

PROCESS: CMOS

Package Information

For the latest package outline information and land patterns, go to www.maxim-ic.com/packages. Note that a "+", "#", or "-" in the package code indicates RoHS status only. Package drawings may show a different suffix character, but the drawing pertains to the package regardless of RoHS status.

| PACKAGE TYPE | PACKAGE CODE | OUTLINE NO. | LAND PATTERN NO. |
|--------------|--------------|-------------------------|-------------------------|
| 28 TQFN-EP | T283555+1 | 21-0184 | 90-0123 |
| 42 TQFN-EP | T423590+1 | 21-0181 | 90-0078 |

Two-Lane and Four-Lane DisplayPort Passive Switches with Separate AUX/HPD Control

Revision History

| REVISION NUMBER | REVISION DATE | DESCRIPTION | PAGES CHANGED |
|-----------------|---------------|--|---------------|
| 0 | 10/09 | Initial release | — |
| 1 | 8/10 | Removed future status from the MAX14998 in the <i>Ordering Information</i> table; changed the bandwidth to 8.5GHz (typ) in the <i>Features</i> section; changed the return loss to -13dB at 2.7GHz in the <i>Features</i> section; added sub-bullets describing the DisplayPort signals v1.1 and v1.2 to the <i>Features</i> section | 1 |

MAX4998/MAX14998

Maxim cannot assume responsibility for use of any circuitry other than circuitry entirely embodied in a Maxim product. No circuit patent licenses are implied. Maxim reserves the right to change the circuitry and specifications without notice at any time.

Maxim Integrated Products, 120 San Gabriel Drive, Sunnyvale, CA 94086 408-737-7600 _____ 11

Компания «Life Electronics» занимается поставками электронных компонентов импортного и отечественного производства от производителей и со складов крупных дистрибьюторов Европы, Америки и Азии.

С конца 2013 года компания активно расширяет линейку поставок компонентов по направлению коаксиальный кабель, кварцевые генераторы и конденсаторы (керамические, пленочные, электролитические), за счёт заключения дистрибьюторских договоров

Мы предлагаем:

- Конкурентоспособные цены и скидки постоянным клиентам.
- Специальные условия для постоянных клиентов.
- Подбор аналогов.
- Поставку компонентов в любых объемах, удовлетворяющих вашим потребностям.
- Приемлемые сроки поставки, возможна ускоренная поставка.
- Доставку товара в любую точку России и стран СНГ.
- Комплексную поставку.
- Работу по проектам и поставку образцов.
- Формирование склада под заказчика.
- Сертификаты соответствия на поставляемую продукцию (по желанию клиента).
- Тестирование поставляемой продукции.
- Поставку компонентов, требующих военную и космическую приемку.
- Входной контроль качества.
- Наличие сертификата ISO.

В составе нашей компании организован Конструкторский отдел, призванный помогать разработчикам, и инженерам.

Конструкторский отдел помогает осуществить:

- Регистрацию проекта у производителя компонентов.
- Техническую поддержку проекта.
- Защиту от снятия компонента с производства.
- Оценку стоимости проекта по компонентам.
- Изготовление тестовой платы монтаж и пусконаладочные работы.



Тел: +7 (812) 336 43 04 (многоканальный)

Email: org@lifeelectronics.ru