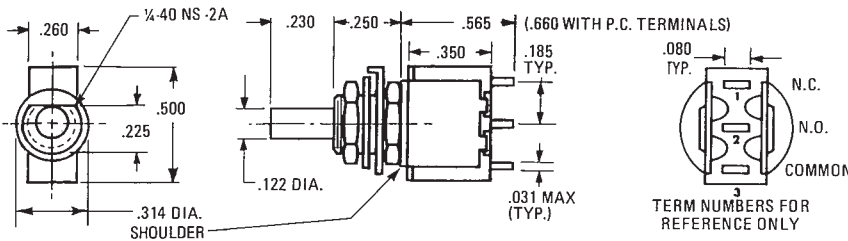


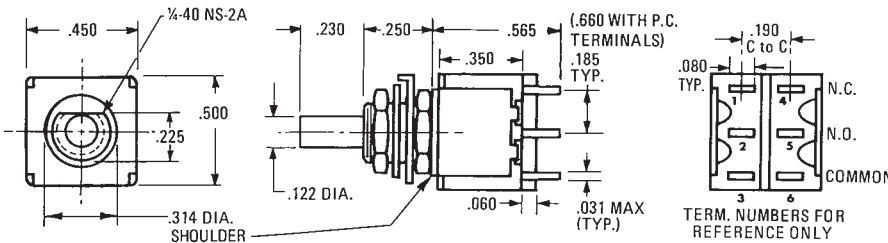
Sensitive Snap-Action Pushbutton Switches — Solder and P.C. Terminals (Momentary Action)

PS SERIES 5 AMP. (S.P.)
1 AMP. (D.P.)
0.4 VA

DIRECT PANEL MOUNT



ONE POLE



TWO POLE

| Basic P/N | Terminal Type | Poles | Cap Size | Cap Color | Contact Material-Type |
|-----------|---|------------------------|---|---|--|
| PS | 1 - Solder lug 2 - Printed Circuit Terminals | 1 - One ① 2 - Two ① | 0 - No Cap 1 - .200 Dia. 2 - .375 Dia. 3 - .450 Sq. 4 - .310 Dia. 5 - .780 Sq. ③ | 0 - No Cap 1 - Black 2 - White 3 - Ted | B - Gold/Nickel/Brass ② G - Gold/Nickel/Silver ① ② Q - Coin Silver ① |

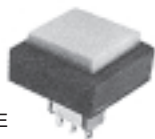
- ① Single pole circuit rated 5 amps, double pole circuit rated 1 amp.
- ② Ratings are 0.4 VA — 28 BAC or DC
- ③ Supplied with .90" square black bezel as Standard

EXAMPLES:

PS1-100Q = One-pole, S.L., 5 amp., No Cap, Coin Silver Contacts

PS2-221B = Two-pole, PC, .4 VA, .375 Dia., Black Cap., Gold/Nickel/Brass Contacts

NEW .780" SQUARE CAP AND BEZEL



W-NU-29A

DECORATIVE FACE NUTS (SEE NOTE UNDER MATERIALS)

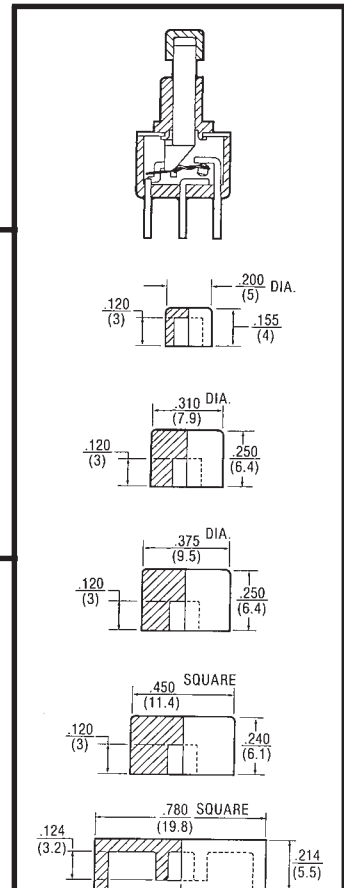
W-NU-30A

SPECIFICATIONS

Contact Rating — Letter codes G and Q (1 Pole) 5 amp resistive @ 125 VAC (U.L. recognized, CSA certified) or 5 amp resistive @ 28 VDC. (2 pole) 1 amp resistive @ 125 VAC (U.L. recognized, CSA certified) or 1 amp resistive @ 28 VDC.
Letter codes B and G — (1 and 2 Poles) 0.4 Volt-amps (VA) maximum @ 28 V max. (AC or DC).
Contact Resistance — 50 milliohms maximum.
Insulation Resistance — 1,000 megohms minimum.
Dielectric Strength — 1,000 volts RMS minimum at sea level.
Electrical Life — 60,000 cycles minimum at full load-resistive.
Maximum Allowable Installation Force on Plunger — 10 pounds.
Multi-pole contacts do not make and break simultaneously.

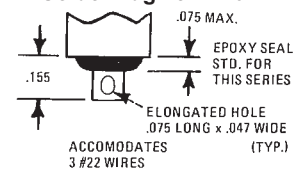
MATERIALS

Case — Diallyl Phthalate.
Bushing — Brass, nickel plated.
Housing — Stainless steel.
Plunger — Thermoplastic.
Common Contact — Refer to contact material table above.
Center & End Contact — Refer to contact material table above.
Hardware — (2) Hex nuts W-NU-11, brass nickel plated. (1) Internal tooth lockwasher W-WA-16, steel chromium plated. (1) Locking Ring W-RI-16, C.R.S. nickel plated.
Decorative Face Nuts — Brass, bright chrome plated. See Page 16 for complete dimensions.

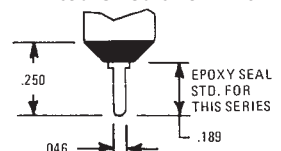


| Description | P/N | Color |
|------------------|---------------|-------|
| Small Cap .200 | W-KN-16 | Black |
| | W-KN-16A | White |
| | W-KN-16B | Red |
| Medium Cap .310 | W-KN-32 | Black |
| | W-KN-32A | White |
| Large Cap .375 | W-KN-17 | Black |
| | W-KN-17A | White |
| Square Cap .450 | W-KN-18 | Black |
| | W-KN-18A | White |
| .780 Square Cap | W-KN-18B | Red |
| | W-KN-52 | Black |
| .90 Square Bezel | W-KN-52A | White |
| | W-KN-52B | Red |
| | Bezel W-BZ-21 | Black |

Solder Lug Terminal



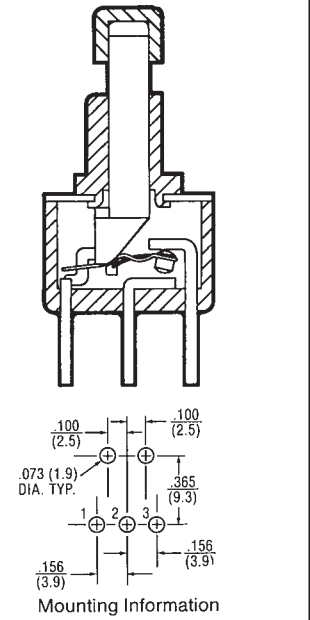
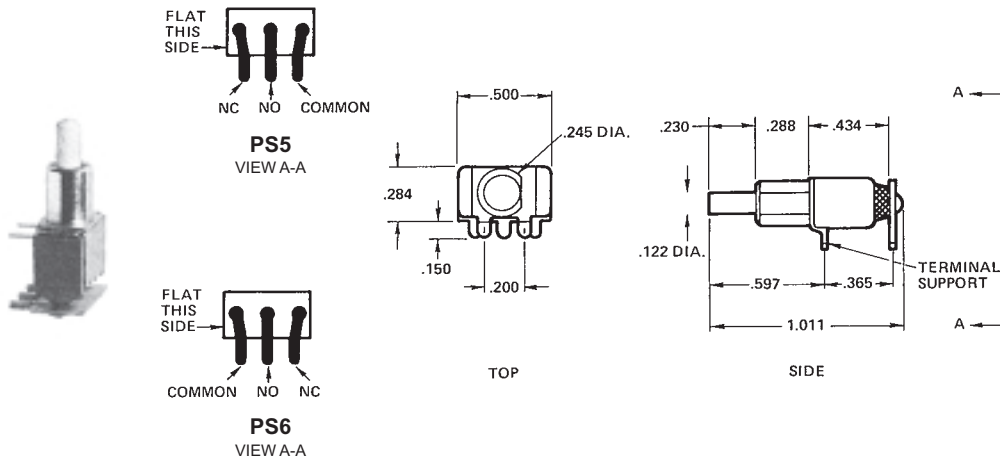
Printed Circuit Terminal



PS
SERIES 5 AMP. (S.P.)
0.4VA

**Sensitive Snap-Action Pushbutton Switches —
P.C. Terminals (Momentary Action)**

RIGHT ANGLE MOUNT IN P.C. BOARDS (HORIZONTAL)



| Basic P/N | Terminal Type | Poles | Cap Size | Cap Color | Contact Material-Type |
|-----------|--|---------|---|---|---|
| PS | 5 - Rt. Angle P.C. Mount 6 - Rt. Angle P.C. Mount | 1 - One | 0 - No Cap 1 - .200 Dia. 2 - .375 Dia. 3 - .450 Sq. 4 - .310 Dia. | 0 - No Cap 1 - Black 2 - White 3 - Red | B - Gold/Nickel/Brass ② G - Gold/Nickel/Silver ①② Q - Coin Silver ② |

- ① Rating is 5 amps — 125 VAC or 28 VDC.
- ② Ratings are 0.4 VA — 28 VAC or DC.

ORDERING EXAMPLES:

PS5-100G = (Rt. Angle P.C. mount 5 amp.) One-pole No Cap No Color Gold/Nickel/Silver Contacts

P
S
5
-
1
0
0
-
G

PS6-121Q = (Rt. Angle P.C. mount 5 amp.) One-pole .375 Dia. Black Cap Coin Silver Contacts

P
S
6
-
1
2
1
-
Q

SPECIFICATIONS

Contact Rating — Letter codes G and Q — 5 amp resistive @ 125 VAC or 28 VDC.
Letter codes B and G — 0.4 volts-amps (VA) maximum @ 28 VAC or DC.

Contact Resistance — 50 milliohms maximum.

Insulation Resistance — 1,000 megohms minimum.

Dielectric Strength — 1,000 volts RMS minimum at sea level.

Electrical Life — 60,000 cycles minimum at full load.

Maximum Allowable Installation Force on Plunger — 10 pounds.

MATERIALS

Case — Diallyl Phthalate.

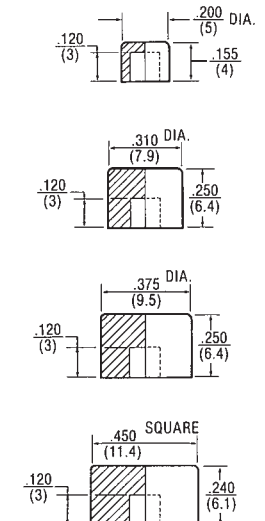
Bushing — Brass, nickel plated.

Housing — Stainless steel.

Plunger — Thermoplastic.

Common Contact — Refer to contact material table above.

Center & End Contact — Refer to contact material table above.



| Description | P/N | Color |
|--------------------|----------|-------|
| Small Cap .200 | W-KN-16 | Black |
| | W-KN-16A | White |
| | W-KN-16B | Red |
| Medium Cap .310 | W-KN-32 | Black |
| | W-KN-32A | White |
| | W-KN-32B | Red |
| Large Cap .375 | W-KN-17 | Black |
| | W-KN-17A | White |
| | W-KN-17B | Red |
| Square Cap .450 | W-KN-18 | Black |
| | W-KN-18A | White |
| | W-KN-18B | Red |

Sensitive Snap-Action Pushbutton Switches — P.C. Terminals (Momentary Action)

| | |
|---------------------|---------------|
| PS SERIES | 5 AMP. (S.P.) |
| | 1 AMP. (D.P.) |
| | 0.4 VA |

RIGHT ANGLE P.C. MOUNT SWITCHES

| Basic P/N | Terminal Type | Poles | Cap Size | Cap Color | Contact Material-Type |
|-----------|--|-----------|---------------|------------|----------------------------|
| PS | 9 - Horizontal Right Angle | 1 - One ① | 0 - No Cap | 0 - No Cap | B - Gold/Nickel/Brass ② |
| | 10 - Vertical Right Angle (.100 Terminal Spacing) | | 1 - .200 Dia. | 1 - Black | G - Gold/Nickel/Silver ① ② |
| | 11 - Vertical Right Angle 0.4 VA (.150 Terminal Spacing) | | 2 - .375 Dia. | 2 - White | Q - Coin Silver ① |
| | | 2 - Two ① | 3 - .450 Sq. | 3 - Red | |
| | | | 4 - .310 Dia. | | |

- ① Single pole circuit rated 5 amps, double pole circuit rated 1 amp.
- ② Ratings are 0.4 VA — 28 VAC or DC.

ORDERING EXAMPLES:

| | | | | | | |
|-------------|---------------------|----------|-----------|-----------|----------------------------|---|
| PS9-100B = | (PC mounted 0.4 VA) | One-pole | No Cap | No Color | Gold/Nickel/Brass Contacts | |
| | P S 9 | - | 1 | 0 | 0 | B |
| PS10-221Q = | (PC mounted 1 amp.) | Two-pole | .375 Dia. | Black Cap | Coin Silver Contacts | |
| | P S 10 | - | 2 | 2 | 1 | Q |

SPECIFICATIONS

Contact Rating — Letter codes G and Q (1 Pole) 5 amp resistive @ 125 VAC (U.L. recognized, CSA certified) or 5 amp resistive @ 28 VDC. (2 pole) 1 amp resistive @ 125 VAC (U.L. recognized, CSA certified) or 1 amp resistive @ 28 VDC.

Letter codes B and G — (1 and 2 Poles) 0.4 Volt-amps (VA) maximum @ 28 V maximum (AC or DC).

Contact Resistance — 50 milliohms maximum.

Insulation Resistance — 1,000 megohms minimum.

Dielectric Strength — 1,000 volts RMS minimum at sea level.

Electrical Life — 60,000 cycles minimum at full load-resistive.

Maximum Allowable Installation Force on Plunger — 10 pounds.

Multi-pole contacts do not make and break simultaneously.

MATERIALS

Case — Diallyl Phthalate.

Bushing — Brass, nickel plated.

Housing — Stainless steel.

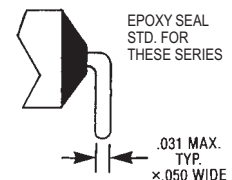
Plunger — Thermoplastic.

Common Contact — Refer to contact material table above.

Center & End Contact — Refer to contact material table above.

| Description | P/N | Color |
|-----------------|----------|-------|
| Small Cap .200 | W-KN-16 | Black |
| | W-KN-16A | White |
| | W-KN-16B | Red |
| Medium Cap .310 | W-KN-32 | Black |
| | W-KN-32A | White |
| Large Cap .375 | W-KN-17 | Black |
| | W-KN-17A | White |
| | W-KN-17B | Red |
| Square Cap .450 | W-KN-18 | Black |
| | W-KN-18A | White |
| | W-KN-18B | Red |

Right Angle P.C. Terminal

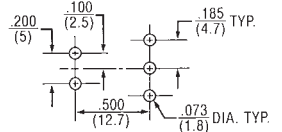
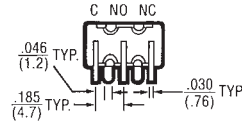
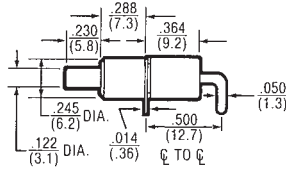
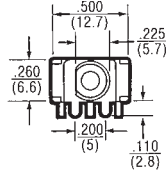


**Sensitive Snap-Action Pushbutton Switches —
P.C. Terminals (Momentary Action)**

PS
SERIES 5 AMP. (S.P.)
1 AMP. (D.P.)
0.4VA

RIGHT ANGLE P.C. MOUNT SWITCHES

PS 9

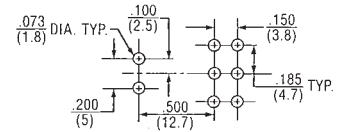
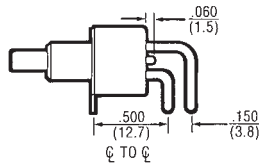
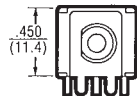


1 Pole P.C. Mounting

ONE POLE

EPOXY SEALED P.C. TERMINALS ARE SUPPLIED AS STANDARD FOR THESE OPTIONS.

PS 9

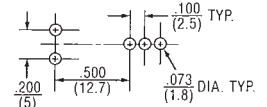
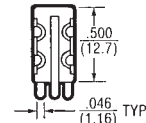
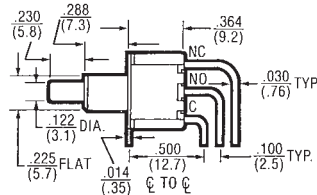
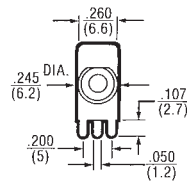


2 Pole P.C. Mounting

TWO POLE

EPOXY SEALED P.C. TERMINALS ARE SUPPLIED AS STANDARD FOR THESE OPTIONS.

PS 10

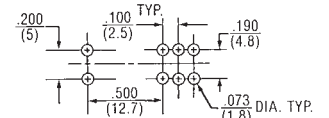
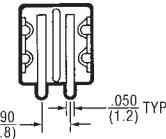
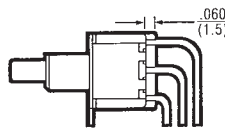
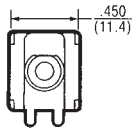


1 Pole P.C. Mounting

ONE POLE

EPOXY SEALED P.C. TERMINALS ARE SUPPLIED AS STANDARD FOR THESE OPTIONS.

PS 10

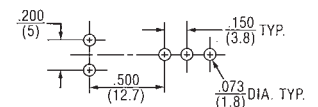
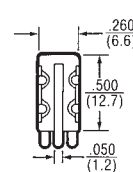
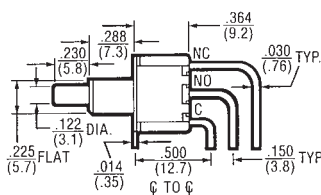
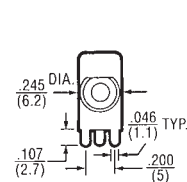


2 Pole P.C. Mounting

TWO POLE

EPOXY SEALED P.C. TERMINALS ARE SUPPLIED AS STANDARD FOR THESE OPTIONS.

PS 11

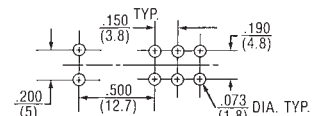
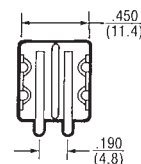
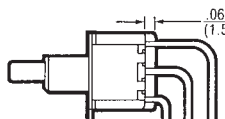


1 Pole P.C. Mounting

ONE POLE

EPOXY SEALED P.C. TERMINALS ARE SUPPLIED AS STANDARD FOR THESE OPTIONS.

PS 11



2 Pole P.C. Mounting

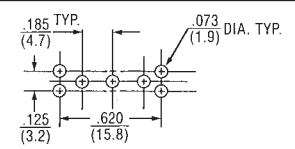
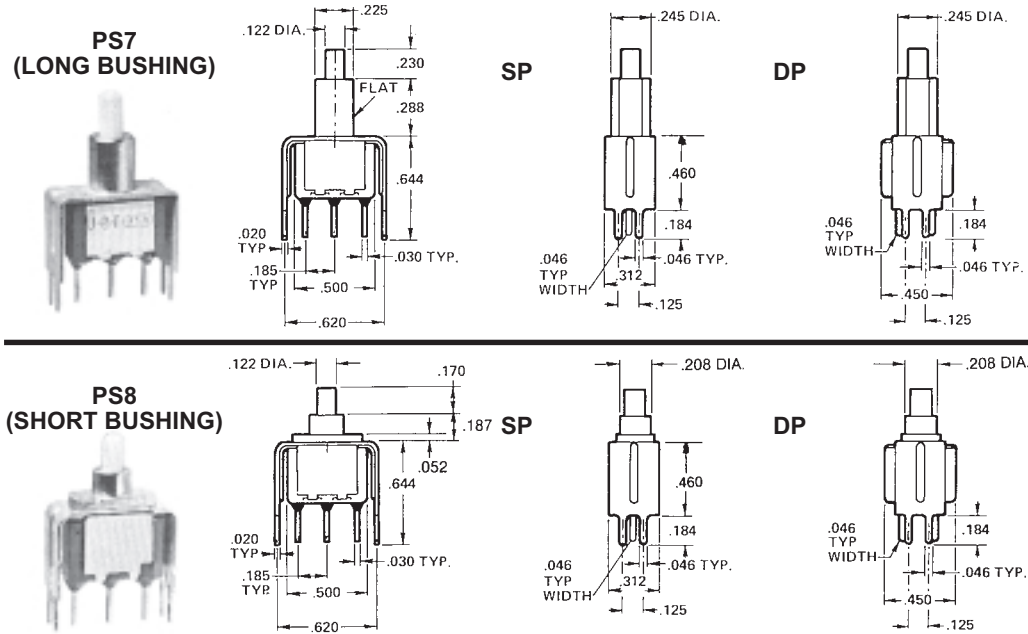
TWO POLE

EPOXY SEALED P.C. TERMINALS ARE SUPPLIED AS STANDARD FOR THESE OPTIONS.

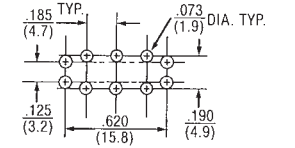
Sensitive Snap-Action Pushbutton Switches — P.C. Terminals (Momentary Action)

PS SERIES 5 AMP. (S.P.)
1 AMP. (D.P.)
0.4 VA

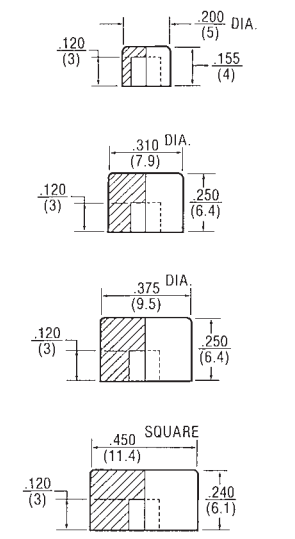
VERTICAL P.C. MOUNT (.460 x .620 BRACKET)



1 Pole P.C. Mounting



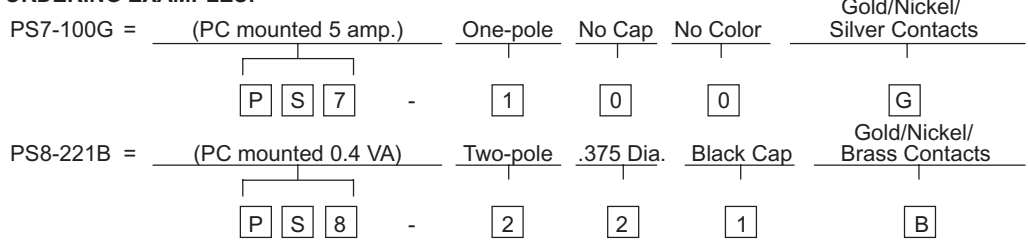
2 Pole P.C. Mounting



| Basic P/N | Terminal Type | Poles | Cap Size | Cap Color | Contact Material-Type |
|-----------|----------------------------------|------------------------|---|--------------------------------------|--|
| PS | 7 - PC Mounted 8 - PC Mounted | 1 - One ① 2 - Two ① | 0 - No Cap 1 - .200 Dia. 2 - .375 Dia. 3 - .450 Sq. 4 - .310 Dia. | 0 - No Cap 1 - Black 2 - White | B - Gold/Nickel/Brass ② G - Gold/Nickel/Silver ① ② Q - Coin Silver ① |

① Single pole circuit rated 5 amps, double pole circuit rated 1 amp.
② Ratings are 0.4 VA — 28 VAC or DC.

ORDERING EXAMPLES:



SPECIFICATIONS

Contact Rating — Letter codes G and Q (1 Pole) 5 amp resistive @ 125 VAC (U.L. recognized, CSA certified) or 5 amp resistive @ 28 VDC. (2 pole) 1 amp resistive @ 125 VAC (U.L. recognized, CSA certified) or 1 amp resistive @ 28 VDC.
 Letter codes B and G — (1 and 2 Poles) 0.4 Volt-amps (VA) maximum @ 28 V maximum (AC or DC).
Contact Resistance — 50 milliohms maximum.
Insulation Resistance — 1,000 megohms minimum.
Dielectric Strength — 1,000 volts RMS minimum at sea level.
Electrical Life — 60,000 cycles minimum at full load-resistive.
Maximum Allowable Installation Force on Plunger — 10 pounds.
 Multi-pole contacts do not make and break simultaneously.

MATERIALS

Case — Diallyl Phthalate.
Bushing — Brass, nickel plated.
Housing — Stainless steel.
Plunger — Thermoplastic.
Common Contact — Refer to contact material table above.
Center & End Contact — Refer to contact material table above.

| Description | P/N | Color |
|-----------------|----------|-------|
| Small Cap .200 | W-KN-16 | Black |
| | W-KN-16A | White |
| | W-KN-16B | Red |
| Medium Cap .310 | W-KN-32 | Black |
| | W-KN-32A | White |
| | W-KN-32B | Red |
| Large Cap .375 | W-KN-17 | Black |
| | W-KN-17A | White |
| | W-KN-17B | Red |
| Square Cap .450 | W-KN-18 | Black |
| | W-KN-18A | White |
| | W-KN-18B | Red |

Printed Circuit Terminal

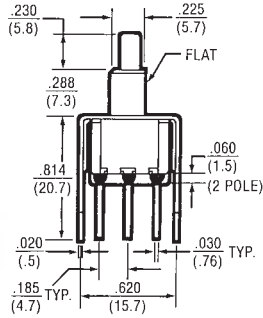
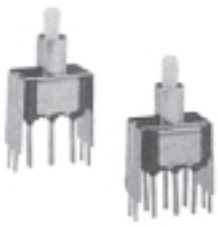


Sensitive Snap-Action Pushbutton Switches — P.C. Terminals (Momentary Action)

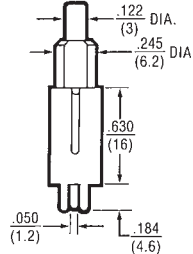
PS SERIES 5 AMP. (S.P.)
1 AMP. (D.P.)
0.4 VA

VERTICAL P.C. MOUNT (.630 x .620 BRACKET)

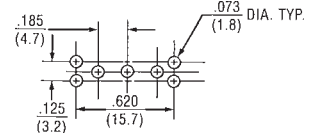
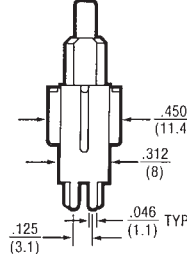
PS71 (LONG BUSHING)



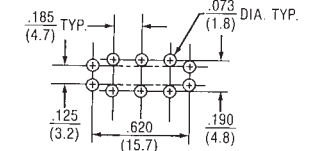
SP



DP

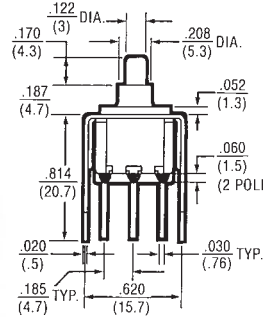
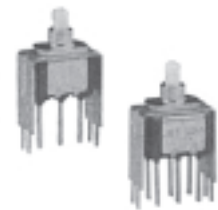


1 Pole P.C. Mounting

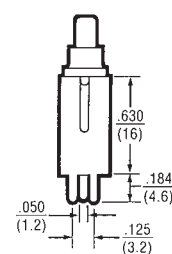


2 Pole P.C. Mounting

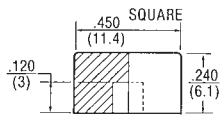
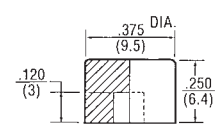
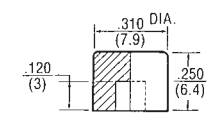
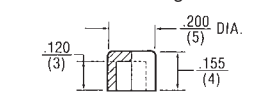
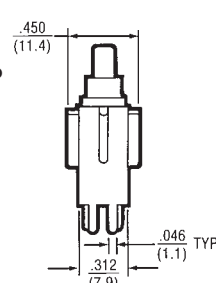
PS81 (SHORT BUSHING)



SP



DP



| Basic P/N | Terminal Type | Poles | Cap Size | Cap Color | Contact Material-Type |
|-----------|-----------------|-----------|---|-----------------------------------|---|
| PS | 71 - PC Mounted | 1 - One ① | 0 - No Cap | 0 - No Cap | B - Gold/Nickel/Brass ② |
| | 81 - PC Mounted | 2 - Two ① | 1 - .200 Dia. 2 - .375 Dia. 3 - .450 Sq. 4 - .310 Dia. | 1 - Black 2 - White 3 - Red | G - Gold/Nickel/Silver ① ② Q - Coin Silver ① |

- ① Single pole circuit rated 5 amps, double pole circuit rated 1 amp.
- ② Ratings are 0.4 VA — 28 VAC or DC.

ORDERING EXAMPLES:

PS71-100B= (PC mounted 0.4 VA) One-pole No Cap No Color Gold/Nickel/Brass Contacts

P
S
71
-
1
0
0
B

PS81-221Q= (PC mounted 1 amp.) Two-pole .375 Dia. Black Cap Coin Silver Contacts

P
S
81
-
2
2
1
Q

SPECIFICATIONS

Contact Rating — Letter codes G and Q (1 Pole) 5 amp resistive @ 125 VAC (U.L. recognized, CSA certified) or 5 amp resistive @ 28 VDC. (2 pole) 1 amp resistive @ 125 VAC (U.L. recognized, CSA certified) or 1 amp resistive @ 28 VDC.

Letter codes B and G — (1 and 2 Poles) 0.4 Volt-amps (VA) maximum @ 28 V maximum (AC or DC).

Contact Resistance — 50 milliohms maximum.

Insulation Resistance — 1,000 megohms minimum.

Dielectric Strength — 1,000 volts RMS minimum at sea level.

Electrical Life — 60,000 cycles minimum at full load-resistive.

Maximum Allowable Installation Force on Plunger — 10 pounds.

Multi-pole contacts do not make and break simultaneously.

MATERIALS

Case — Diallyl Phthalate.

Bushing — Brass, nickel plated.

Housing — Stainless steel.

Plunger — Thermoplastic.

Common Contact — Refer to contact material table above.

Center & End Contact — Refer to contact material table above.

| Description | P/N | Color |
|-----------------|----------|-------|
| Small Cap .200 | W-KN-16 | Black |
| | W-KN-16A | White |
| | W-KN-16B | Red |
| Medium Cap .310 | W-KN-32 | Black |
| | W-KN-32A | White |
| | W-KN-32B | Red |
| Large Cap .375 | W-KN-17 | Black |
| | W-KN-17A | White |
| | W-KN-17B | Red |
| Square Cap .450 | W-KN-18 | Black |
| | W-KN-18A | White |
| | W-KN-18B | Red |

Printed Circuit Terminal

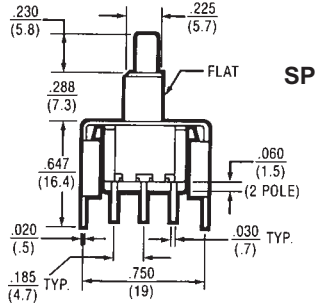


Sensitive Snap-Action Pushbutton Switches — P.C. Terminals (Momentary Action)

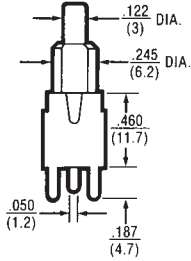
PS SERIES 5 AMP. (S.P.)
1 AMP. (D.P.)
0.4 VA

VERTICAL P.C. MOUNT (.460 x .750 BRACKET)

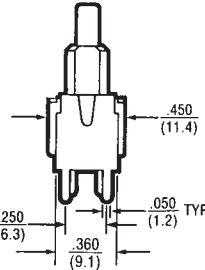
PS72 (LONG BUSHING)



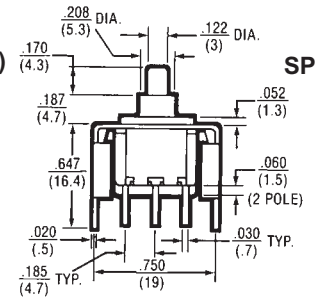
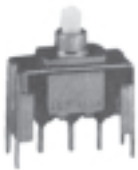
SP



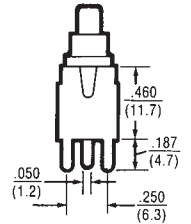
DP



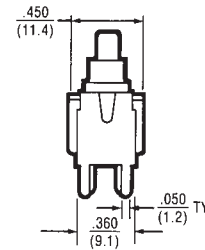
PS82 (SHORT BUSHING)



SP



DP



| Basic P/N | Terminal Type | Poles | Cap Size | Cap Color | Contact Material-Type |
|-----------|------------------------------------|------------------------|---|---|--|
| PS | 72 - PC Mounted 82 - PC Mounted | 1 - One ① 2 - Two ① | 0 - No Cap 1 - .200 Dia. 2 - .375 Dia. 3 - .450 Sq. 4 - .310 Dia. | 0 - No Cap 1 - Black 2 - White 3 - Red | B - Gold/Nickel/Brass ② G - Gold/Nickel/Silver ① ② Q - Coin Silver ① |

① Single pole circuit rated 5 amps, double pole circuit rated 1 amp.
② Ratings are 0.4 VA — 28 VAC or DC.

ORDERING EXAMPLES:

PS72-100Q= (PC mounted 5 amp.) One-pole No Cap No Color Coin Silver Contacts
P S 72 - 1 0 0 Q

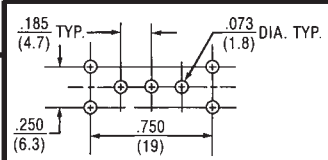
PS82-221B= (PC mounted 0.4 VA) Two-pole .375 Dia. Black Cap Gold/Nickel/Brass Contacts
P S 82 - 2 2 1 B

SPECIFICATIONS

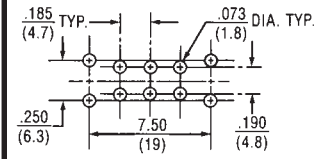
Contact Rating — Letter codes G and Q (1 Pole) 5 amp resistive @ 125 VAC (U.L. recognized, CSA certified) or 5 amp resistive @ 28 VDC. (2 pole) 1 amp resistive @ 125 VAC (U.L. recognized, CSA certified) or 1 amp resistive @ 28 VDC.
 Letter codes B and G — (1 and 2 Poles) 0.4 Volt-amps (VA) maximum @ 28 V maximum (AC or DC).
Contact Resistance — 50 milliohms maximum.
Insulation Resistance — 1,000 megohms minimum.
Dielectric Strength — 1,000 volts RMS minimum at sea level.
Electrical Life — 60,000 cycles minimum at full load-resistive.
Maximum Allowable Installation Force on Plunger — 10 pounds.
 Multi-pole contacts do not make and break simultaneously.

MATERIALS

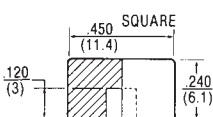
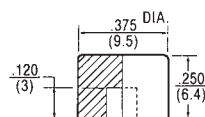
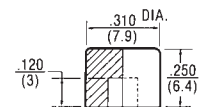
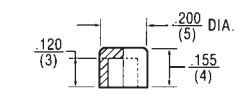
Case — Diallyl Phthalate.
Bushing — Brass, nickel plated.
Housing — Stainless steel.
Plunger — Thermoplastic.
Common Contact — Refer to contact material table above.
Center & End Contact — Refer to contact material table above.



1 Pole P.C. Mounting



2 Pole P.C. Mounting



| Description | P/N | Color |
|-----------------|----------|-------|
| Small Cap .200 | W-KN-16 | Black |
| | W-KN-16A | White |
| | W-KN-16B | Red |
| Medium Cap .310 | W-KN-32 | Black |
| | W-KN-32A | White |
| | W-KN-32B | Red |
| Large Cap .375 | W-KN-17 | Black |
| | W-KN-17A | White |
| | W-KN-17B | Red |
| Square Cap .450 | W-KN-18 | Black |
| | W-KN-18A | White |
| | W-KN-18B | Red |

Printed Circuit Terminal

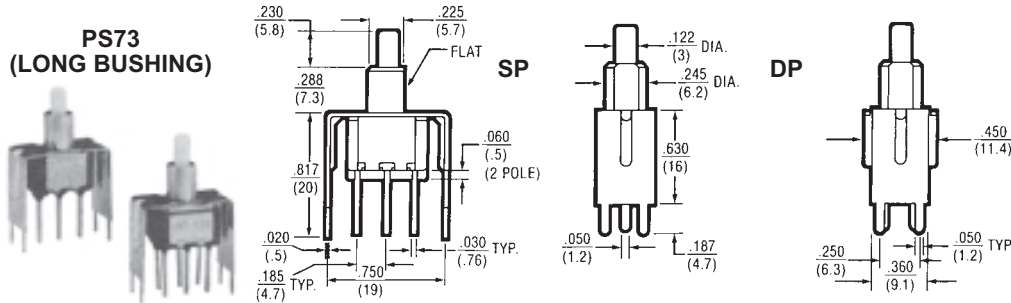


Sensitive Snap-Action Pushbutton Switches — P.C. Terminals (Momentary Action)

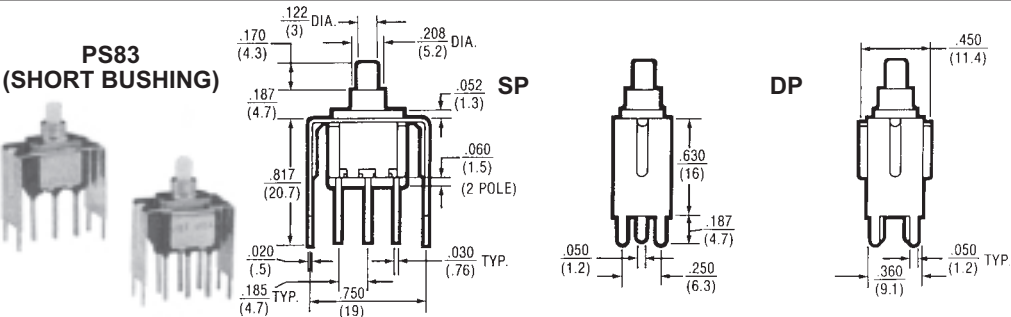
PS SERIES 5 AMP. (S.P.)
1 AMP (D.P.)
0.4 VA

VERTICAL P.C. MOUNT (.630 x .750 BRACKET)

PS73 (LONG BUSHING)

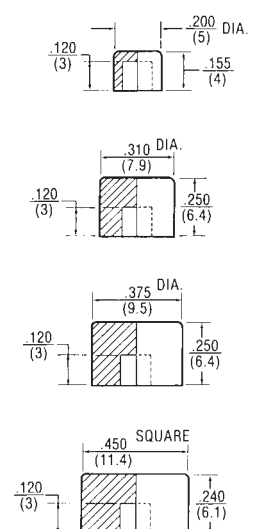
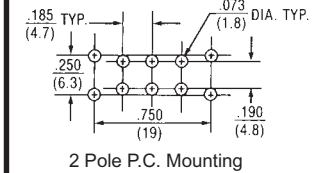
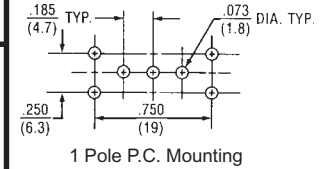


PS83 (SHORT BUSHING)



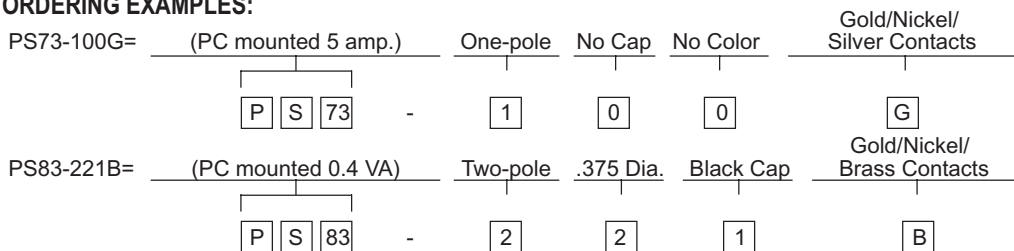
| Basic P/N | Terminal Type | Poles | Cap Size | Cap Color | Contact Material-Type |
|-----------|-----------------|---------------|---------------|------------|----------------------------|
| PS | 73 - PC Mounted | 1 - One | 0 - No Cap | 0 - No Cap | B - Gold/Nickel/Brass ② |
| | 83 - PC Mounted | 2 - Two | 1 - .200 Dia. | 1 - Black | G - Gold/Nickel/Silver ① ② |
| | | | 2 - .375 Dia. | 2 - White | Q - Coin Silver ② |
| | | | 3 - .450 Sq. | 3 - Red | |
| | | 4 - .310 Dia. | | | |

- ① Single pole circuit rated 5 amps, double pole circuit rated 1 amp.
- ② Ratings are 0.4 VA — 28 VAC or DC.



| Description | P/N | Color |
|-----------------|----------|-------|
| Small Cap .200 | W-KN-16 | Black |
| | W-KN-16A | White |
| | W-KN-16B | Red |
| Medium Cap .310 | W-KN-32 | Black |
| | W-KN-32A | White |
| | W-KN-32B | Red |
| Large Cap .375 | W-KN-17 | Black |
| | W-KN-17A | White |
| | W-KN-17B | Red |
| Square Cap .450 | W-KN-18 | Black |
| | W-KN-18A | White |
| | W-KN-18B | Red |

ORDERING EXAMPLES:



SPECIFICATIONS

Contact Rating — Letter codes G and Q (1 Pole) 5 amp resistive @ 125 VAC (U.L. recognized, CSA certified) or 5 amp resistive @ 28 VDC. (2 pole) 1 amp resistive @ 125 VAC (U.L. recognized, CSA certified) or 1 amp resistive @ 28 VDC.

Letter codes B and G — (1 and 2 Poles) 0.4 Volt-amps (VA) maximum @ 28 V maximum (AC or DC).

Contact Resistance — 50 milliohms maximum.

Insulation Resistance — 1,000 megohms minimum.

Dielectric Strength — 1,000 volts RMS minimum at sea level.

Electrical Life — 60,000 cycles minimum at full load-resistive.

Maximum Allowable Installation Force on Plunger — 10 pounds.

Multi-pole contacts do not make and break simultaneously.

MATERIALS

Case — Diallyl Phthalate.

Bushing — Brass, nickel plated.

Housing — Stainless steel.

Plunger — Thermoplastic.

Common Contact — Refer to contact material table above.

Center & End Contact — Refer to contact material table above.

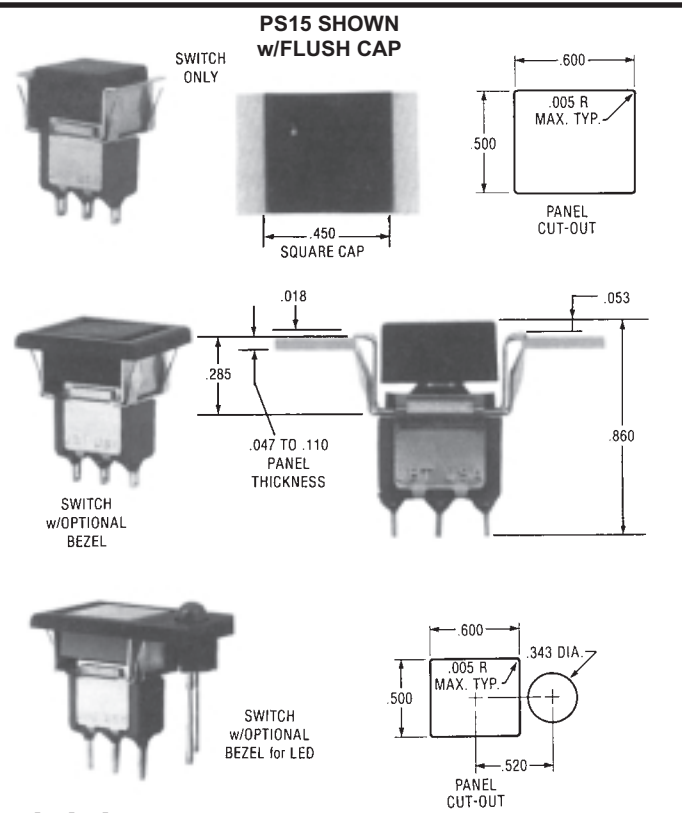
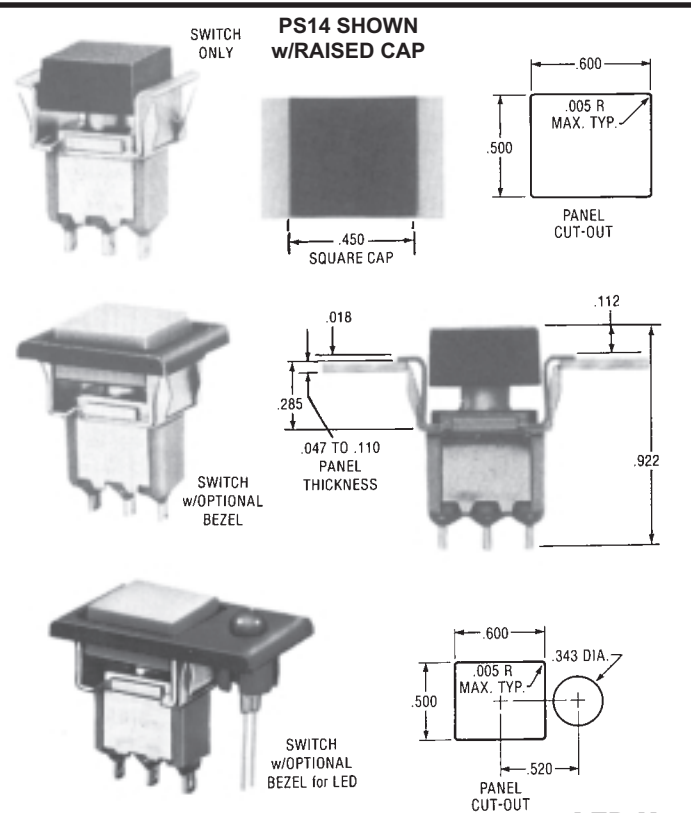
Printed Circuit Terminal



Sensitive Snap-Action Pushbutton Switches — Solder and P.C. Terminals (Momentary Action)

PS SERIES 5 AMP. (S.P.)
1 AMP. (D.P.)
0.4 VA

SNAP-IN MOUNT



LED Not Included

| Basic P/N | Cap Configuration Terminal-Rating | Poles | Cap Size | Cap Color | Optional Features | |
|-----------|--------------------------------------|------------------------|----------------------------|---|---|----------------------------|
| | | | | | Bezel Color & Type | Contact Material-Type |
| PS | 14 - Raised Cap Solder Lug | 1 - One ① 2 - Two ① | 0 - No Cap 1 - .450 Sq. | 0 - No Cap 1 - White 2 - Black 3 - Red | 1 - White 2 - Black 3 - Red 4 - Black or LED | B - Gold/Nickel/Brass ② |
| | 15 - Flush Cap ③ Solder Lug | | | | | G - Gold/Nickel/Silver ① ② |
| | 16 - Raised Cap PC Terminals | | | | | Q - Coin Silver ① |
| | 17 - Flush Cap ③ PC Terminals | | | | | |

① Single pole circuit rated 5 amps, double pole circuit rated 1 amp.

② Ratings are 0.4 VA — 28 BAC or DC.

③ Flush cap is flush to bezel, not to mounting bracket.

EXAMPLES:

PS14-100Q = Raised Cap, Solder Lug Terminals, 5 Amp, Single Pole, No Cap, Coin Silver Contacts

PS14-1134B = Raised Cap, Solder Lug Terminals, 0.4 VA Rating, Single Pole, .450 Square Red Cap, Black Bezel for LED, Gold/Brass Contact Material

SPECIFICATIONS

Contact Rating — Letter codes G and Q (1 Pole) 5 amp resistive @ 125 VAC (U.L. recognized, CSA certified) or 5 amp resistive @ 28 VDC. (2 pole) 1 amp resistive @ 125 VAC (U.L. recognized, CSA certified) or 1 amp resistive @ 28 VDC.

Letter codes B and G — (1 and 2 Poles) 0.4 Volt-amps (VA) maximum @ 28 V maximum (AC or DC).

Contact Resistance — 50 milliohms maximum.

Insulation Resistance — 1,000 megohms minimum.

Dielectric Strength — 1,000 volts RMS minimum at sea level.

Electrical Life — 60,000 cycles minimum at full load-resistive.

Maximum Allowable Installation Force on Plunger — 10 pounds. Multi-pole contacts do not make and break simultaneously.

MATERIALS

Case — Diallyl Phthalate.

Bushing — Brass, nickel plated.

Housing — Stainless steel.

Plunger — Thermoplastic.

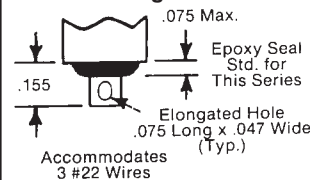
Pushbutton Cap — Molded nylon.

Bezel — Molded nylon.

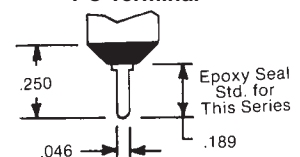
Common Contact — Refer to contact material table above.

Center & End Contact — Refer to contact material table above.

Solder Lug Terminal



PC Terminal



Sensitive Snap-Action Pushbutton Switches — Solder and P.C. Terminals (Momentary Action)

APPROXIMATE DIMENSIONS (For Optional Bezel Types Shown on Page 12)

OPTIONAL BEZEL TYPE 1, 2, 3 (SEE TABLE)
PS14 Shown w/Raised Cap

| Catalog No. | Color |
|-------------|-------|
| W-BZ-12 | Black |
| W-BZ-12A | White |
| W-BZ-12B | Red |

OPTIONAL BEZEL TYPE 1, 2, 3 (SEE TABLE)
PS15 Shown w/Flush Cap

| Catalog No. | Color |
|-------------|-------|
| W-BZ-12 | Black |
| W-BZ-12A | White |
| W-BZ-12B | Red |

OPTIONAL BEZEL TYPE 4 FOR LED
PS14 Shown w/Raised Cap

LED (.200 DIA.) SNAPS SECURELY INTO BEZEL. HEIGHT DEPENDS ON LED USED

SWITCHES SUPPLIED WITHOUT LED LAMPS.

| Catalog No. | Color |
|-------------|-------|
| W-BZ-15 | Black |

OPTIONAL BEZEL TYPE 4 FOR LED
PS17 Shown w/Flush Cap

LED (.200 DIA.) SNAPS SECURELY INTO BEZEL. HEIGHT DEPENDS ON LED USED

SWITCHES SUPPLIED WITHOUT LED LAMPS.

| Catalog No. | Color |
|-------------|-------|
| W-BZ-15 | Black |

OPTIONAL MOUNTING CLIP (For Use With PS14 Thru PS17 Series Only)

- For thick plastic panel mount applications (.094" - .125" thick)
- For availability consult Electros witch.

Standard Ordering Table – Pushbutton Switches – Panelmount Maintained and Momentary Action (SPDT)

HOW TO ORDER YOUR DESIGN (Bold Face Type indicates items normally in Distributor Stock)

Following the table from left to right, the designer is able to specify the options wanted. The options are described and illustrated on pages 15-16.

To determine a part number select the options desired and fill in the boxes in the selection guides illustrated below.

Pushbutton Switch Selection Guide

| Pushbutton Switch Series | Circuit | Cap Size | Cap Color | Terminal Type | Contact Material | Other |
|-----------------------------|---|---|---|--|---|--------------------------|
| <input type="text"/> | <input type="text"/> | <input type="text"/> | <input type="text"/> | <input type="text"/> | <input type="text"/> | <input type="text"/> |
| Base P/N | Circuit | Cap Size | Suffix Numbers & Letters — Add to Base Catalog Number | | | |
| | | | Cap Color | Terminal Options ② | Contact Material-Type | Other Options |
| PB | -123 — ON-NONE-ON Push to make contact and Push again to reverse action | 0 — No Cap 1 — .200 Dia. 2 — .310 Dia. 3 — .375 Dia. | 0 — No Cap 1 — Black 2 — White 3 — Red | Z — Solder Lugs C — Printed Circuit Z3 — Quick Connect W — .750" Wirewrap W1 — .964" Wirewrap W3 — .425" Wirewrap W4 — 1.0625" Wirewrap A — Right Angle P.C. AV — Vertical P.C. AV2 — Vertical P.C. .100 Spacing .150 Spacing | B — Gold/Nickel/Brass ① G — Gold/Nickel/Silver Q — Coin Silver K — ⑤ L — ⑤ M — ⑤ | Epoxy Sealed Terminals ② |
| PBS Plunger Seal | -126 — ON-NONE-ON* Normally Open or Normally Closed. (For NC circuit use Terminal 2 & 1, for NO. 2 & 3, for NC and NO. 1, 2 & 3) | | | | | |
| PBW Plunger & Panel Seal | | | | | | |

*Momentary Contact

① Ratings are 0.4 VA-28 VAC or DC.

② Epoxy seal standard on all terminal options.

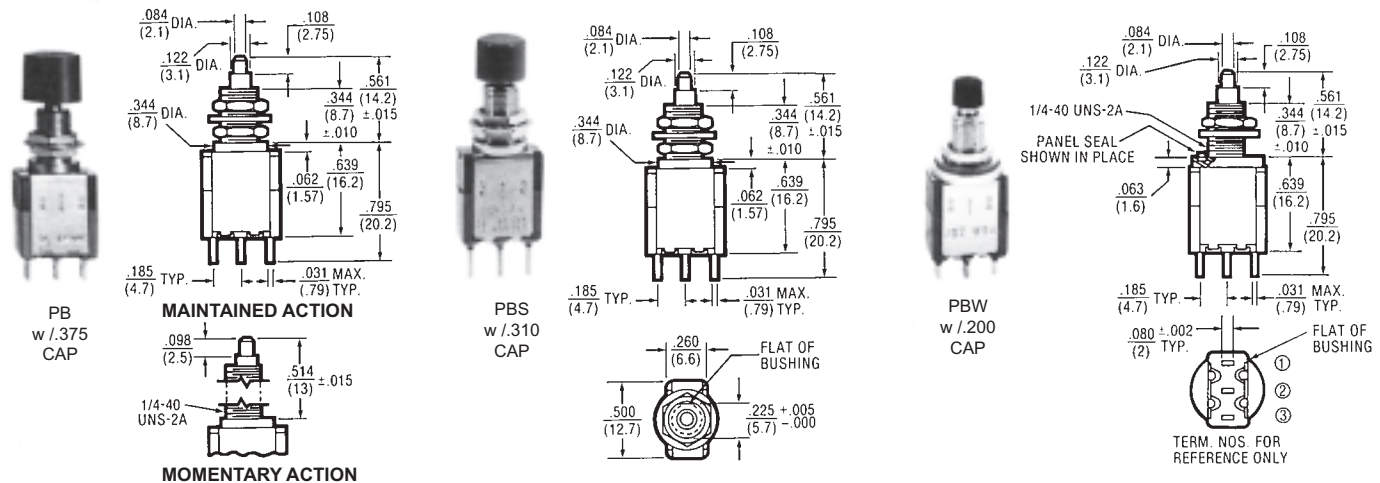
⑤ Same as B, G and Q respectively except terminals brass with tin nickel alloy over nickel plate. Consult factory for availability

EXAMPLES:

PB-12331ZQ = Maintained (Push-Push) circuit, .375" Black Cap, Solder Lug Terminals, Silver Contacts, 6 Amp Rating and Epoxy Sealed Terminals

PBW-12613CB = Plunger & Panel Seal, Momentary circuit, .200" Red Cap epoxy sealed Printed Circuit Terminals and 50 Millionths Gold over Brass contacts.

APPROXIMATE DIMENSIONS



SPECIFICATIONS

Contact Rating — Letter codes G and Q — 6 amp at 125 VAC, 3 amp at 250 VAC (U.L. recognized, CSA certified) or 6 amp at 28 VDC resistive. Letter codes B and G — 0.5. volt-amp (VA) maximum @ 28 V maximum (AC or DC).

Life Under Load (Resistive)
Alternate Action Suffix — 123; 100,000 make-and break cycles
Momentary Action Suffix — 126; 60,000 make-and-break cycles

Initial Contact Resistance — 10 milliohms max. 3 VDC, 100 ma for both silver and gold plated contacts.

Insulation Resistance — 1,000 MBG.

Dielectric Strength — 1,000 volts rms at sea level.

Bushing Strength — 12 pound-inches without physical damage to switch.

| | | |
|-----------------|-----------|-----------|
| | -126 | -123 |
| Operating Force | 1.5 lb. | 1.75 lb. |
| Pretravel | .043 Max. | .106 Max. |
| Overtravel | .009 Min. | .008 Min. |

MATERIALS

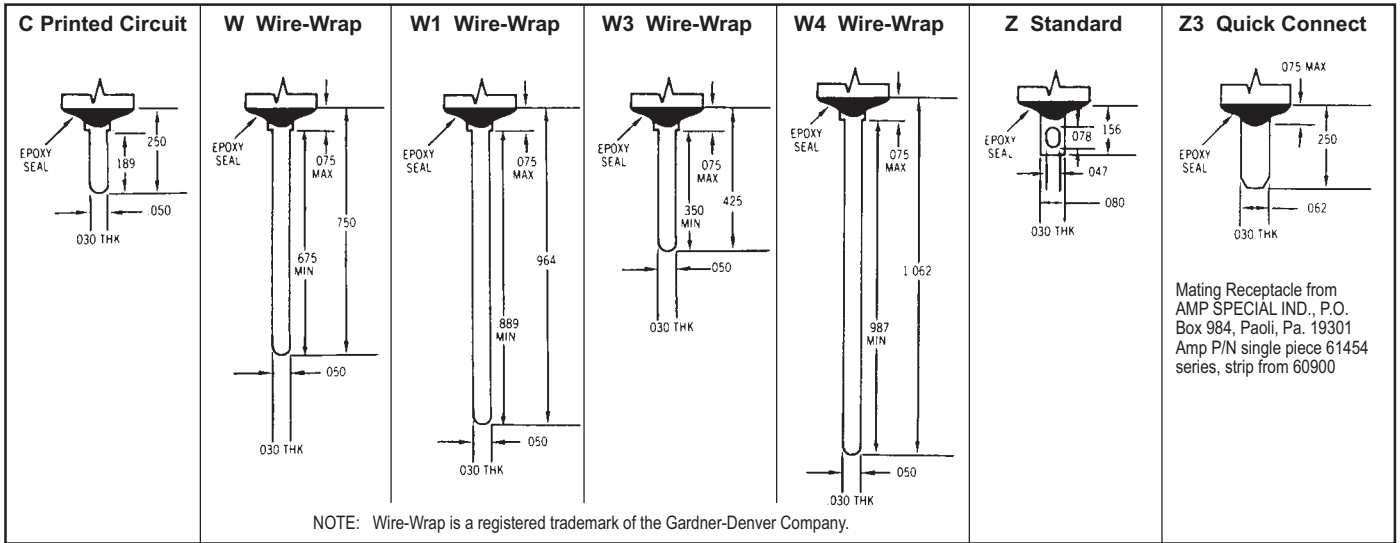
- Base (body)** — Diallyl Phthalate.
- Bushing** — Brass, nickel plated.
- Clamp (frame)** — Stainless steel.
- Switching Contacts and Rockers**
Letter Code B — gold/nickel/brass
Letter Code G — gold/nickel/silver
Letter Code Q — Coin silver
- Center Terminal**
Letter Codes B, G — Gold flash/nickel/brass
Letter Code Q — Silver plated brass.

Hardware

- PB and PBS Series
(2) W-NU-11 hex nuts
(1) W-WA-16 internal tooth lockwasher
- PBW Series
(1) W-NU-11 hex nut
(1) W-WA-16 internal tooth lockwasher
(1) W-WA-44 neoprene panel seal

Pushbutton Switches — Panelmount Maintained and Momentary Action (SPDT)

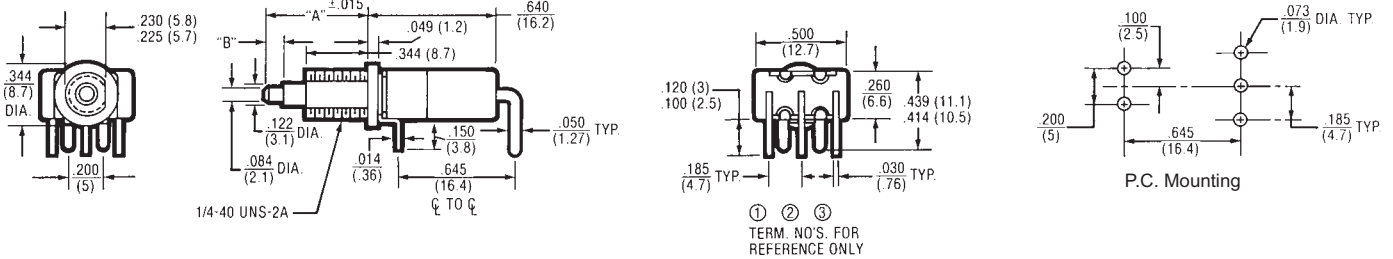
Termination Options



APPROXIMATE DIMENSIONS

PB, PBS, PBW SWITCHES w/"A" TYPE RIGHT ANGLE P.C. TERMINALS

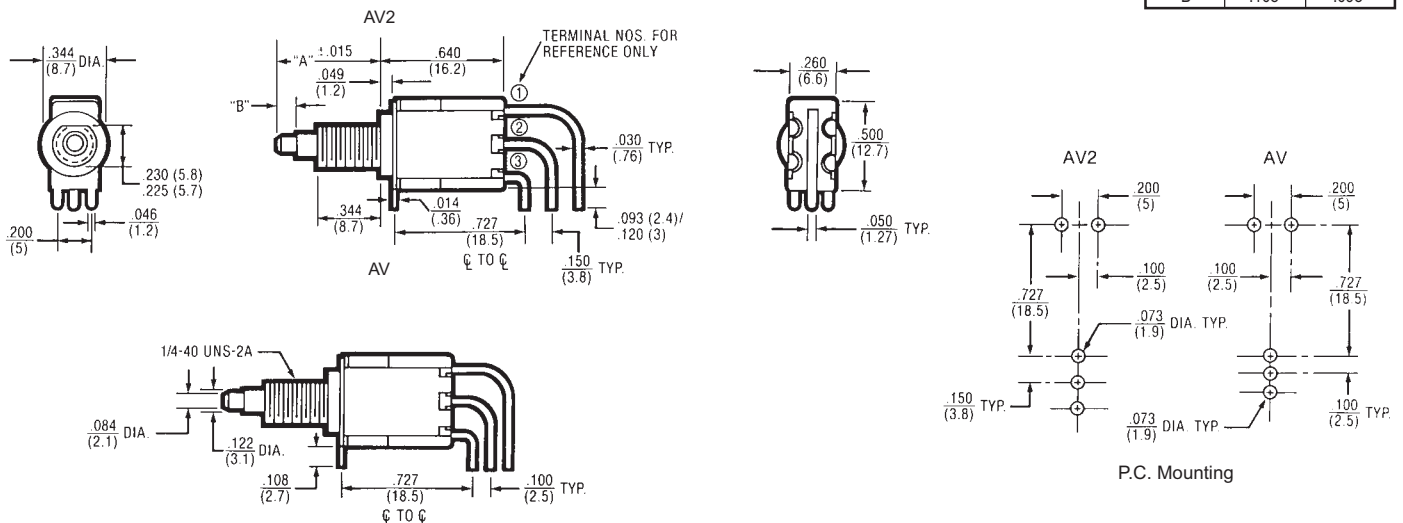
| DIM. | PB-123 | PB-126 |
|------|--------|--------|
| "A" | .561 | .514 |
| "B" | .108 | .098 |



EPOXY SEALED P.C. TERMINALS ARE SUPPLIED AS STANDARD FOR THESE OPTIONS

PB, PBS, PBW SWITCHES w/ "AV" (.100" TERMINAL SPACING) OR "AV2" (.150" TERMINAL SPACING) TYPE VERTICAL P.C. TERMINALS

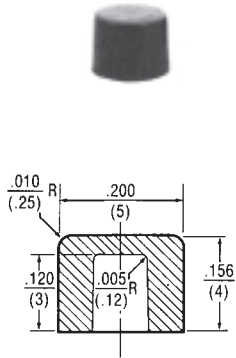
| DIM. | PB-123 | PB-126 |
|------|--------|--------|
| "A" | .561 | .514 |
| "B" | .108 | .098 |



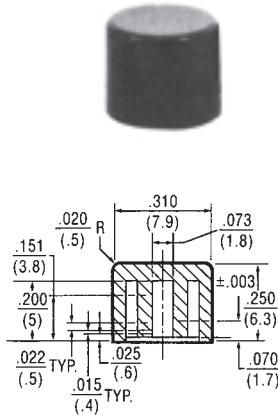
EPOXY SEALED P.C. TERMINALS ARE SUPPLIED AS STANDARD FOR THESE OPTIONS

Pushbutton Switches — Panelmount Maintained and Momentary Action (SPDT)

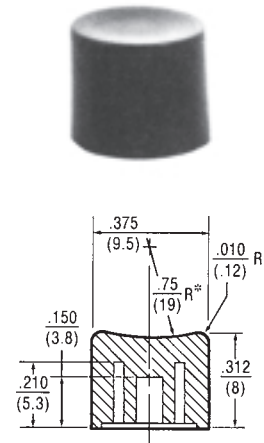
PUSHBUTTON CAP STYLES FOR PB SERIES SWITCHES ON PAGE 14



| PART NUMBER | COLOR |
|-------------|--------------------|
| W-KN-12 | BLACK |
| W-KN-12A | WHITE |
| W-KN-12B | RED |
| W-KN-12C | GREEN ^① |
| W-KN-12D | BLUE |
| W-KN-12E | DK. GRAY |
| W-KN-12F | YELLOW |
| W-KN-12G | LT. GRAY |



| PART NUMBER | COLOR |
|-------------|--------------------|
| W-KN-31 | BLACK |
| W-KN-31A | WHITE |
| W-KN-31B | RED |
| W-KN-31C | GREEN ^① |
| W-KN-31D | BLUE |
| W-KN-31E | DK. GRAY |
| W-KN-31F | YELLOW |
| W-KN-31G | LT. GRAY |



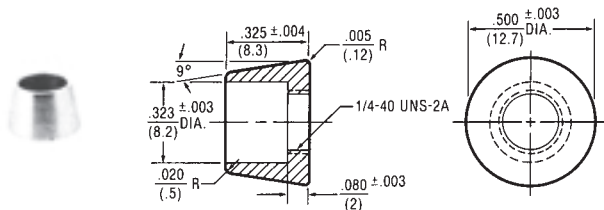
| PART NUMBER | COLOR |
|-------------|--------------------|
| W-KN-14 | BLACK |
| W-KN-14A | WHITE |
| W-KN-14B | RED |
| W-KN-14C | GREEN ^① |
| W-KN-14D | BLUE |
| W-KN-14E | DK. GRAY |
| W-KN-14F | YELLOW |
| W-KN-14G | LT. GRAY |

^① Black, white, red are standard. Contact Electros witch for availability on other colors shown.

DECORATIVE FACENUTS FOR PB SERIES AND PS SERIES

PART NUMBER W-NU-29A
(For .310 Dia. Caps)

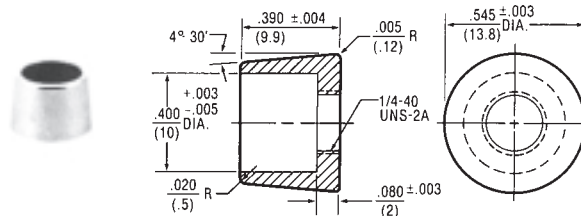
Part No. W-NU-29A
Assembled to PB
Series Switch.



Finish: Bright chrome plate over brass

PART NUMBER W-NU-30A
(For .375 Dia. Caps)

Part No. W-NU-30A
Assembled to PS
Series Switch.
(See page 4)

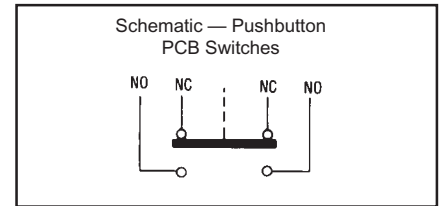


Finish: Bright chrome plate over brass


Sub Miniature Pushbutton Switches for Printed Circuit Boards — Wave Solderable Series B8000 PCB Pushbutton Switches

SPECIFICATIONS

- Mechanical life — 500,000 operations minimum
- Contact resistance — 25 milliohms maximum
- Dielectric strength — 1000 VAC rms
- Ambient temperature range — -20°C to +70°C
- Weight — 0.06 ounces (1.7 grams)
- Electrical life — 100,000 operations minimum.



SELECTION TABLES (Bold Face Type indicates items normally in Distributor Stock)

| | | | | | | |
|--|---------------------------|---------------------------|------------------------------|---------------------|----------------|----------------|
| Note: Optional Snap-On button must be ordered separately  B8500/B8600 | Poles & Throw | Operation | Catalog No. By Terminal Type | | | |
| | | | Right Angle P.C. Mount | P.C. Stand Up Mount | | |
| | | | | .220" (5.6 mm) | .160" (4.1 mm) | .120" (3.1 mm) |
| | 2 Circ. | Momentary or Latch Down ① | B8103 | | | |
| | Momentary or Latch Down ① | | B8500 | | | |
| | Momentary | | B8600 | | | |

OPTIONAL BUTTON CAPS

| Button Cap Color | Catalog Number |
|------------------|----------------|
| Black | P281B |
| Red | P281R |

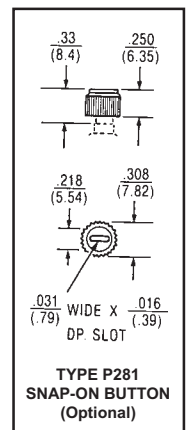
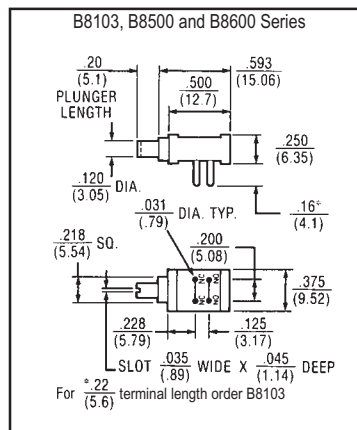
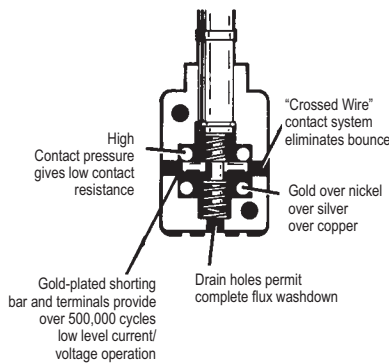
CURRENT RATINGS

| Nominal Rating, Amperes | | | |
|-------------------------|--------|--------|---------|
| 6 VDC | 12 VDC | 28 VDC | 125 VDC |
| 1 | 1 | 0.5 | 0.5 |

① For Latch-Down, depress plunger and rotate 30° clockwise.

NOTE: For special .5 VA max. rating @ 28 VAC or DC contact Electroswitch.

APPROXIMATE DIMENSIONS

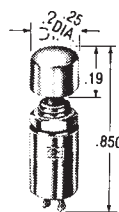
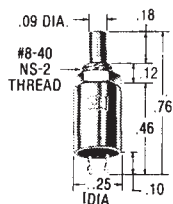


Ultra-Miniature Pushbutton Switches AC and DC — Round Base

SPECIFICATIONS

- Resistive rating — .75 amperes resistive at 125 VAC normally open; .50 amperes resistive at 125 VAC normally closed; also rated 1.0 ampere normally open for 15,000 operations and .75 amperes normally closed for 10,000 operations. For 28 VDC rating 1.5 amperes normally open for 10,000 operations and 1.0 ampere normally closed for 10,000 operations. Dry circuit rated 10 milliamperes at 30 mVDC.
- Pretravel — .015 minimum/.050 maximum
- Overtravel — .030 minimum
- Operating force — 8 oz. maximum
- Electrical life — 50,000 operations minimum
- Mechanical life — 50,000 operations minimum
- Materials — contacts and terminals are gold plated copper
- Mounting hardware — One #8-40 nut supplied unassembled

APPROXIMATE DIMENSIONS



SELECTION TABLE

| Circuit | Plunger Color | Catalog Number |
|---------|---------------|----------------|
| N.O. | Red | SA1RV20 |
| N.O. | Black | SA1BV20 |
| N.O. | Black | SA1BW20 |
| N.O. | Red | SA1RW20 |

OPTIONAL BUTTON CAPS

| Button Cap Color | Catalog Number | Description |
|------------------|----------------|----------------------------------|
| Red | SW53AA1 | .250" Slip on cap for SA1 series |
| Black | SW53AA2 | .250" Slip on cap for SA1 series |

CAUTION — MANUAL SWITCHES ARE AFFECTED BY HEAT, CLEANING SOLVENTS AND FLUX. EXTREME CARE SHOULD BE EXERCISED DURING HAND SOLDERING AND WAVE SOLDERING TO PREVENT SWITCH CONTAMINATION.

Keylite* Pushbutton Switches — Illuminated or Non-Illuminated

STANDARD TYPES



SLOPE KEYS — NARROW



SLOPE KEYS — WIDE



STEP KEYS — NARROW



STEP KEYS — WIDE



HALF KEYS — NARROW
(12 mm)



WINDOW KEYS — WIDE
(17 mm) Replaceable Legends



COLORED INSERTS

* Trademark of LUCAS N.S.F. Limited

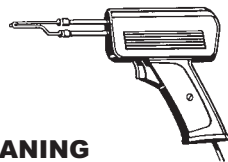
SPECIFICATIONS

- Ratings** — Switch — 10mA at 24 VDC.
- Mechanical Life and Electric Life** — 5 million operations momentary, 10,000 maintained
- Initial Contact Resistance** — 50 milliohms max.
- Insulation Resistance** — 10⁹ Ohms minimum
- Contact Bounce** — 2.0 ms maximum
- Operating Force** — 150 grams approx.
- Total Key Travel** — .098 (2.5 mm)
- Pre-Travel** — .039 (1 mm)
- Ambient Temperature** — -25°C to +85°C (-13°F to +185°F)
- Mounted Method** — Direct soldering onto standard Matrix printed circuit board.
- Interchangeable Keys** — Large variety of colors

MATERIALS

- Housing** — Polycarbonate
- Key Cap** — ABS
- Switching Contacts** — Gold plate over silver plated brass.

CAUTION AND



RECOMMENDATIONS

FOR SOLDERING AND CLEANING

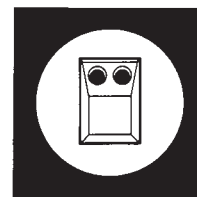
Contamination of the contacts of miniature switches is the most common cause of problems in low energy circuits. This is due to the inability of current to flow through the increased resistance of the switch contacts due to the contamination. As most contamination occurs during the installation and cleaning of the switch, proper care when installing the switch can reduce problems in this area. The following procedures should be followed to reduce the possibility of switch contact contamination.

Hand Solder

1. Use rosin core solder .030" — .040" diameter.
2. A small soldering iron in the 30 to 40 watt range should be used.
3. The solder joint should not be overheated.
4. Do not position switch with terminations straight up.
5. No clean up should be necessary. However, if used, do not allow solvents to enter non-sealed areas of switch.

Wave solder — Miniature Switches

Do not immerse or spray with solvents to remove flux except for switches designed for this type of cleaning. The use of wave solder oil is not advised.



Clean Lines
Positive Tactile
Action, Bright
LED Indicators



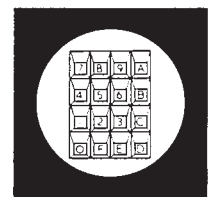
Keys Are Detachable
and Interchangeable
with Improved
Push-On Design



Stand-Off Lugs
Minimize
Solder-Creepage



Half Key Feature



RECOMMENDED KEY REMOVAL METHOD
1. Operate switch. 2. Insert small screwdriver into resulting gap at 'A'. 3. Gently twist.
NOTE: When removing keys from within a matrix e.g. No. 3 above, first remove Nos. 9 and 6 by the above method then remove No. 3.

| LED SPECIFICATIONS | | | |
|---------------------|-------------------|-------------------|-------------------|
| Color | Red | Green | Yellow |
| Maximum ratings | | | |
| Forward current | 30mA | 30mA | 30mA |
| Forward voltage | 3.0 @ 10mA | 3.0 @ 20mA | 3.0 @ 10mA |
| Intensity (typical) | 2.0 mcd @ 10mA | 1.5 mcd @ 20mA | 2.0 mcd @ 10mA |

Keylite* Pushbutton Switches — Illuminated or Non-Illuminated

KEYLITE ORDERING GUIDE — For assembled switches

| Poles and Throw | Contact Operation | Base Catalog Number | Suffix Numbers — Add to Base Catalog Number | | | | | | Other Features | | | | |
|-----------------|-------------------|----------------------|---|---------------|--|---------------------|------------------------|--------------------|----------------|---|-------------------------|-----------------|-----|
| | | | LED Colors and Quantity | | Operator Key Style and Number or LED's | | | Operator Key Color | | | | | |
| | | | Description | Suffix Number | Style | Number of LED Holes | Suffix Number | Color | Suffix Number | Feature | Suffix Number or Letter | | |
| 1PDT | Momentary | SB6SDV | One Red, Narrow Spacing ① | 14 | Slope, Narrow | None | 1A | White | 1 | Colored Inserts | | | |
| | | | One Red, Wide Spacing ② | 15 | Slope, Wide | None | 2A | | | | | | |
| | | | One Green, Narrow Spacing ① | 24 | Slope, Narrow | One | 3A | | | Applicable to Key Styles 2E, 4E & 6E Only | | | |
| | | | One Green, Wide Spacing ② | 25 | Slope, Wide | One | 4A | | | | | | |
| | | | One Yellow, Narrow Spacing ① | 34 | Step, Narrow | None | 1D | | | Green | 3 | White | -1 |
| | | | One Yellow, Wide Spacing ② | 35 | Step, Wide | None | 2D | | | | | Red | -2 |
| | | | Two Red ③ | 44 | Step, Narrow | One | 3D | | | Orange | 4 | Green | -3 |
| | | | Two Green ③ | 54 | Step, Wide | One | 4D | | | | | Gray | -4 |
| | | | No LED | 64 | Step, Narrow | Two | 5D | | | Black | 5 | Orange | -5 |
| | | | Two Yellow ③ | 74 | Step, Wide | Two | 6D | | | | | Blue | -6 |
| | | | One Red, One Green ③④ | 84 | Half, Narrow | None | 1B | | | Yellow | 8 | Gray | -7 |
| | | | One Red, One Yellow ③④ | 94 | Half, Narrow | One | 2B | | | | | Black | -8 |
| | | | One Green, One Yellow ③④ | 04 | Half, Narrow | Two | 3B | | | Static Shielding | S ⑥ | Blue | -9 |
| | | | | | Window, Wide | None | 2C | | | | | Sealant Tape | T ⑥ |
| | | | | | Window, Wide | One | 4C | | | Epoxy Sealed Terminals | E | Yellow | -10 |
| | | | | | Window, Wide | Two | 6C | | | | | Custom Stamping | ⑥ |
| | | Colored, Wide Insert | None | 2E | Paddle Key | 1F | | | | | | | |
| | | Colored, Wide Insert | One | 4E | | | Paddle Key | 2F | | | | | |
| | | Colored, Wide Insert | Two | 6E | | | Paddle Key | 3F | | | | | |
| | | | | | Illuminated paddle Key | 1G | | | | | | | |
| | | | | | | | Illuminated Paddle Key | 2G | | | | | |
| | | | | | | | Illuminated Paddle Key | 3G | | | | | |
| | | | | | Illuminated Paddle Key | 1H | | | | | | | |
| | | | | | | | Slant Key | | | | | | |

* Trademark of LUCAS N.S.F. Limited

FOOTNOTES

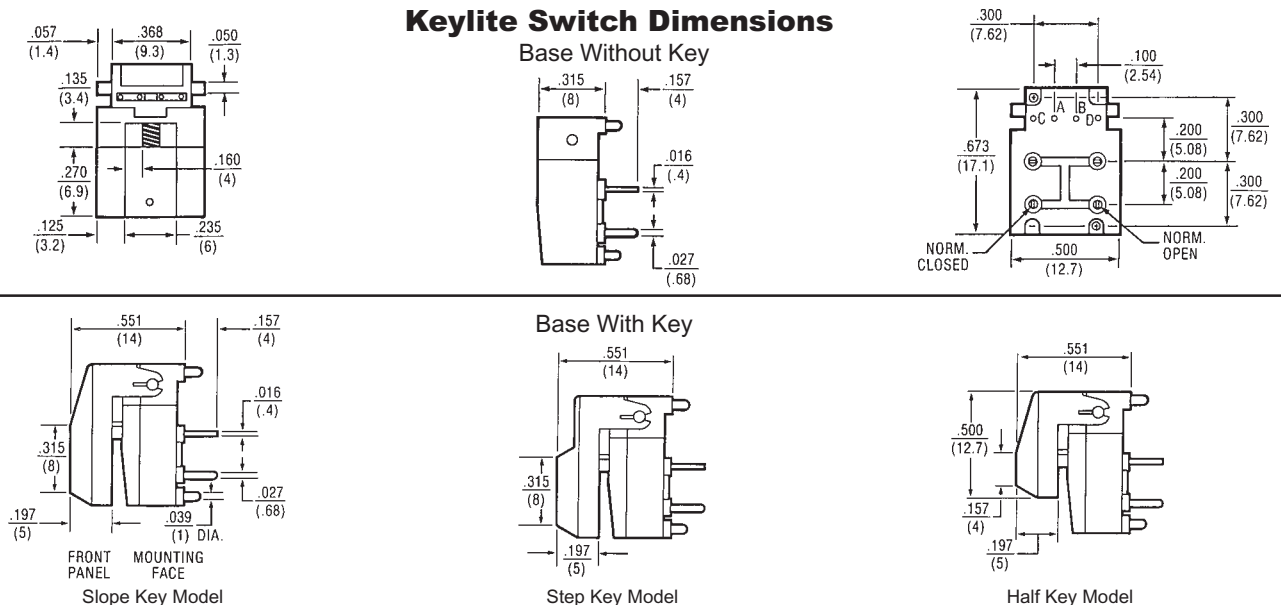
ORDERING EXAMPLES:

SB6SDV143A1 — Momentary switch, narrow spaced red LED, white narrow slope Key.

Mounting of LED's

- ① LED is mounted in center holes A(-) and B(+).
- ② LED is mounted in outer holes C(-) and D(+).
- ③ LED's are mounted in holes C(+) and A(-), holes B(-) and D(+).
- ④ Colored LED's are mounted left to right.

Keylite Switch Dimensions



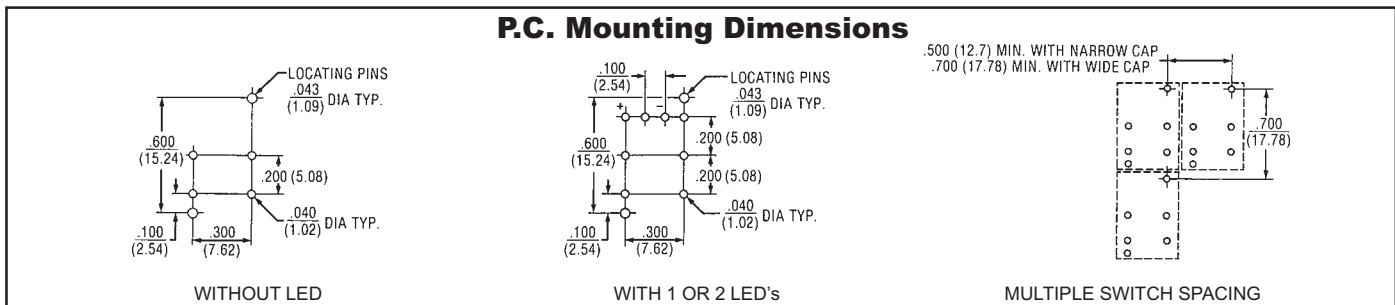
Keylite* Pushbutton Switches — Illuminated or Non-Illuminated

OPERATOR KEY SELECTION TABLE

| Key Description | Key Dimensions | Momentary Action | | Key Color | Color Code | | |
|---------------------|----------------|------------------|---------------------|-----------|------------------|--------|---|
| | | Key Part Number | Number of LED Holes | | | | |
| Narrow Slope Key | | W-KN-21 | None | Black | No letter Suffix | | |
| | | W-KN-22 | 1 | | | | |
| | | W-KN-23 | 2 | | | | |
| Wide Slope Key | | W-KN-24 | None | White | A | | |
| | | W-KN-25 | 1 | | | | |
| | | W-KN-26 | 2 | | | | |
| Narrow Step Key | | W-KN-40 | None | Red | B | | |
| | | W-KN-41 | 1 | | | | |
| | | W-KN-42 | 2 | | | | |
| Wide Step Key | | W-KN-43 | None | Green | C | | |
| | | W-KN-44 | 1 | | | | |
| | | W-KN-45 | 2 | | | | |
| Half Keys | | W-KN-28 | None | Blue | D | | |
| | | W-KN-29 | 1 | | | | |
| | | W-KN-30 | 2 | | | | |
| Window Keys | | W-KN-37 | None | Gray | E | | |
| | | W-KN-38 | 1 | | | | |
| | | W-KN-39 | 2 | | | | |
| Colored Insert Keys | | | | Yellow | F | | |
| | | | | | | Orange | G |
| | | | | | | | |

* Trademark of LUCAS N.S.F. Limited

Ordering Example: W-KN-21D is a blue narrow slope key w/no LED holes.
W-KN-45 is a black wide step key w/two LED holes.



Keylite* Pushbutton Switches — Illuminated or Non-Illuminated

OPERATOR KEY SELECTION TABLE

| Description | Key Dimensions | Key Part Number | Illuminated Features | Key Color | Suffix Code |
|--|----------------|-----------------|----------------------|-----------|------------------|
| | | | Number of Light Bars | | |
| <ul style="list-style-type: none"> LED's are mounted under the paddle Color of light bar determined by LED | | W-KN-68 | None | Black | No letter Suffix |
| | | W-KN-69 | 1 | | |
| | | W-KN-70 | 2 | | |
| <ul style="list-style-type: none"> LED's are mounted outside the paddle | | W-KN-71 | Number of LED Holes | Red | B |
| | | W-KN-72 | 1 | Green | C |
| | | W-KN-73 | 2 | Blue | D |
| <ul style="list-style-type: none"> No LED's | | W-KN-74 | None | Gray | E |
| | | | | Yellow | F |
| | | | | Orange | G |

* Trademark of LUCAS N.S.F. Limited

Ordering Examples: W-KN-70E is a gray paddle key with 2 light bars.
W-KN-72D is a blue paddle key with 1 LED hole.
W-KN-74 is a black slant key.

ADDITIONAL KEYLITE OPTIONS

STATIC SHIELDING



- Static Shielding prevents static electricity from entering the circuit via the LED.
- Withstands up to 11,000 volts DC.
- Can be provided on any key style.

SEALANT TAPE



- Adhesive tape seals switches for wave soldering. Tape is discarded after wash. Key caps shipped unassembled.

CUSTOM INK STAMPING



Available upon request.

Keylite* Pushbutton Switches — Illuminated or Non-Illuminated

ADDITIONAL KEYLITE OPTIONS — KEYBARS

PANEL CUT-OUT

P.C. BOARD LAYOUT

DIMENSION: W/LED LOCATION HOLES

LED HOLE LOCATIONS
SEE NOTE 1.

NOTE:

- Center LED holes (B, E) cannot be ordered with outer holes (A, C) or (D, F) respectively.
- Accommodates 2 switches.
- Standard LED hole is $\frac{150}{4}$ diameter

ORDERING EXAMPLES

EXAMPLE:
W-KN-49G-ACE, is the orange key with LED holes in positions A, C, and E. (Shown at left)

EXAMPLE:
W-KN-49, is the black key with no LED holes.

| Part No. | Color |
|-----------|--------|
| W-KN-49* | Black |
| W-KN-49A* | White |
| W-KN-49B* | Red |
| W-KN-49C* | Green |
| W-KN-49D* | Blue |
| W-KN-49E* | Gray |
| W-KN-49F* | Yellow |
| W-KN-49G* | Orange |
| W-KN-49H* | Brown |

*For LED holes see note 1

PANEL CUT-OUT

P.C. BOARD LAYOUT

1.38" (35 mm) KEYBAR

LED HOLE LOCATIONS
SEE NOTE 1.

NOTE:

- Center LED holes (B, E) cannot be ordered with outer holes (A, C) or (D, F) respectively.
- Accommodates 2 switches.
- Standard LED hole is $\frac{150}{4}$ diameter

EXAMPLE:
W-KN-50C-BDF, is the green key with LED holes in positions B, D, and F. (Shown above)

EXAMPLE:
W-KN-50, is the black key with no LED holes.

| Part No. | Color |
|-----------|--------|
| W-KN-50* | Black |
| W-KN-50A* | White |
| W-KN-50B* | Red |
| W-KN-50C* | Green |
| W-KN-50D* | Blue |
| W-KN-50E* | Gray |
| W-KN-50F* | Yellow |
| W-KN-50G* | Orange |
| W-KN-50H* | Brown |

*For LED holes see note 1

PANEL CUT-OUT

P.C. BOARD LAYOUT

1.49" (37.8 mm) KEYBAR

LED HOLE LOCATIONS
SEE NOTE 1.

NOTE:

- Center LED holes (B, E, H) cannot be ordered with outer holes (A, C) or (D, F) or (G, J) respectively.
- Accommodates 3 switches.
- Standard LED hole is $\frac{150}{4}$ diameter

EXAMPLE:
W-KN-51B-ACEH, is the red key with LED holes in positions A, C, E, and H. (Shown above)

EXAMPLE:
W-KN-51, is the black key with no LED holes.

| Part No. | Color |
|-----------|--------|
| W-KN-51* | Black |
| W-KN-51A* | White |
| W-KN-51B* | Red |
| W-KN-51C* | Green |
| W-KN-51D* | Blue |
| W-KN-51E* | Gray |
| W-KN-51F* | Yellow |
| W-KN-51G* | Orange |
| W-KN-51H* | Brown |

*For LED holes see note 1

* Trademark of LUCAS N.S.F. Limited

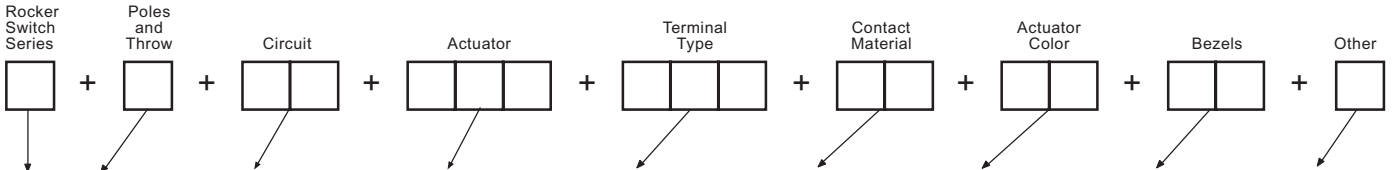
Ordering Table — Standard Rocker & Paddle Switches

HOW TO ORDER YOUR DESIGN (Bold Face Type indicates items normally in Distributor Stock)

Following the table from left to right, the designer is able to specify the options wanted. The options are described and illustrated on pages 24-31. Refer to page 57 for mounting hardware.

To determine a part number select the options desired and fill in the boxes in the selection guides illustrated below.

Rocker Switch Selection Guide



| Series | Poles and Throw | | Circuits 1 | | | | Actuator Options | | Terminal Options 6 | | Contact Material | | Actuator Color | | Bezels | | Other Option | | |
|--------|--------------------------|------|-------------------|-------------------------|----------|-----------------------|--|------------------------------|------------------------------|-----------------|------------------|-----------------------|---------------------|------|------------------------|------|------------------------------------|----|--|
| | No. | Code | Description | | | Code | Type | Code | Type | Code | Type | Code | Color | Code | Type | Code | Type | | |
| B | SPDT | 1 | | | POS. "C" | | Rocker 7 (Screw Mount) | J1 | Right Angle PC 10 | A | gold/brass | B | Dark Gray 4 | 0 | Bright Chrome 3 | 1M | Epoxy Sealed Terminals 6 | | |
| | DPDT | 2 | ON | OFF | ON | 21 | Paddle 7 (Screw Mount) | J2 | Vertical PC .100 Spacing | AV1 | gold/silver | G | White | 1 | Black 3 | 2M | | | |
| | 3PDT | 3 | ON | NONE | ON | 23 | Rocker 7 (Screw Mount) | J3 | Vertical PC .150 Spacing | AV2 | coin silver | Q | Black | 2 | Satin Chrome 3 | 3M | | | |
| | 4PDT | 4 | ON | NONE | ON* | 26 | Paddle 7 (Screw Mount) | J5 | | | 12 | K | Red | 3 | White 2 | 1P | | | |
| | | | | | | 27 | Snap-In Mount Rocker With Bezel | J11 | PC Terminals | C | 12 | L | Green 4 | 5 | Black 2 | 2P | | | |
| | | | | | | 31 | Snap-In Mount Paddle With Bezel | J21 | PC & Support 1 | V3 | 12 | M | Blue 4 | 6 | Red 2 | 3P | | | |
| | | | | | | 32 | | J21 | PC & Support 1 | V4 | | | Light Gray 4 | 8 | Black w/LED 2 | 4P | | | |
| | | | | | | 33 | Large 7 Snap-In Mount Rocker With Bezel | J37 | Vertical PC .150 Spacing | V5 | | | Yellow 4 | 9 | Green 2 4 | 5P | | | |
| | | | | | | 34 5 | Large 7 Snap-In Mount Paddle With Bezel | J47 | PC & Support 1 | V6 | | | Brown 4 | 10 | Blue 2 4 | 6P | | | |
| | | | 35 | Snap-In Mount Rocker | J50 | PC & Support 1 | V7 | | | | | Light Gray 2 4 | 8P | | | | | | |
| | | | NONE | ON | ON* | ON* | 53 5 | 53 5 | Snap-In Rocker 1 7 | J50 | .750 Wire Wrap | W | | | | | Yellow 2 4 | 9P | |
| | | | | | | | | Snap-In Rocker 1 7 | J53 | .964 Wire Wrap | W1 | | | | Dark Gray 2 4 | 0P | | | |
| | | | | | | | | Snap-In Paddle 1 7 | J60 | .425 Wire Wrap | W3 | | | | | | | | |
| | | | | | | | | Snap-In Paddle 1 7 | J63 | 1.062 Wire Wrap | W4 | | | | | | | | |
| | | | | | | | | Rocker Actuator 9 | J71 | | Z | | | | | | | | |
| | Paddle Actuator 9 | J72 | | | | | | | Z | | | | | | | | | | |
| | Rocker Actuator 9 | J73 | | Z3 | | | | | | | | | | | | | | | |
| | Paddle Actuator 9 | J75 | | | | | | | | | | | | | | | | | |
| | Rocker Actuator 9 | J76 | | | | | | | | | | | | | | | | | |
| | Paddle Actuator 9 | J77 | | | | | | | | | | | | | | | | | |

*Momentary Contact

- 1** 1 and 2 pole only.
- 2** For J50 and J60 only.
- 3** For J11, J21, J37 and J47 only.
- 4** Consult plant for availability.
- 5** These circuits are **NOT** available with the following 3 and 4 pole options: A, AV1, AV2, V3, V4, V5, V6 and V7.
- 6** Epoxy seal standard on all terminal options.

- 7** Available with C, Z, Z3 or W-W4 terminations.
- 8** Available with AV1, AV2, V3-V7 terminations.
- 9** Available with A, AV1, AV2 or V3-V7 terminations.
- 10** 1, 2 and 3 pole only.
- 11** See page 58 for construction detail, wiring and electrical diagrams.
- 12** Same as B, G and Q respectively except terminals brass with tin nickel alloy over nickel plate. Consult plant for availability.

EXAMPLES:

- B121J71AQ2** = SPDT rocker switch with an ON-OFF-ON circuit, J71 style rocker (black), right angle P.C. terminals with coin silver contacts and epoxy sealed terminals.
- B223J50ZQ22P** = DPDT rocker switch with an ON-NONE-ON circuit, J50 style rocker (black), solder lug terminals with coin silver contacts, black snap in bezel and epoxy sealed terminals.

Standard Rocker & Paddle Switches — Specifications and Materials

SPECIFICATIONS

Contact Rating — Letter codes G and Q — 6 amp at 125 VAC, 3 amp @ 250 VAC, (U.L. recognized, CSA certified) or 6 amp at 28 VDC resistive.

Letter codes B and G — 0.5. volt-amp (VA) maximum @ 28 V maximum (AC or DC).

Life Under Load — 60,000 make-and-break cycles — resistive load only.

Initial Contact Resistance — 10 milliohms maximum. 3 VDC, 100 ma for both silver and gold plated contacts.

Insulation Resistance — 1 & 2 pole — 1,000 megohms minimum.
3 & 4 pole — 1,000 megohms minimum.

Dielectric Strength — 1,000 volts rms at sea level.

Operating Temperature — 30° to +85°C

MATERIALS

Base (body) — 1- and 2-pole — Diallyl Phthalate. (DAP).
3- and 4-pole — high strength phenolic.

Rocker/Paddle — Molded nylon.

Bushing — Brass, nickel plated.

Clamp (frame) — Stainless steel.

Support Bracket — Steel, tin plated.

Metal Bezel — Spring steel.

Plastic Bezel — Molded nylon.

Switching Contacts and Rockers —

Letter Code B — gold/nickel/brass

Letter Code G — gold/nickel/silver

Letter Code Q — Coin silver

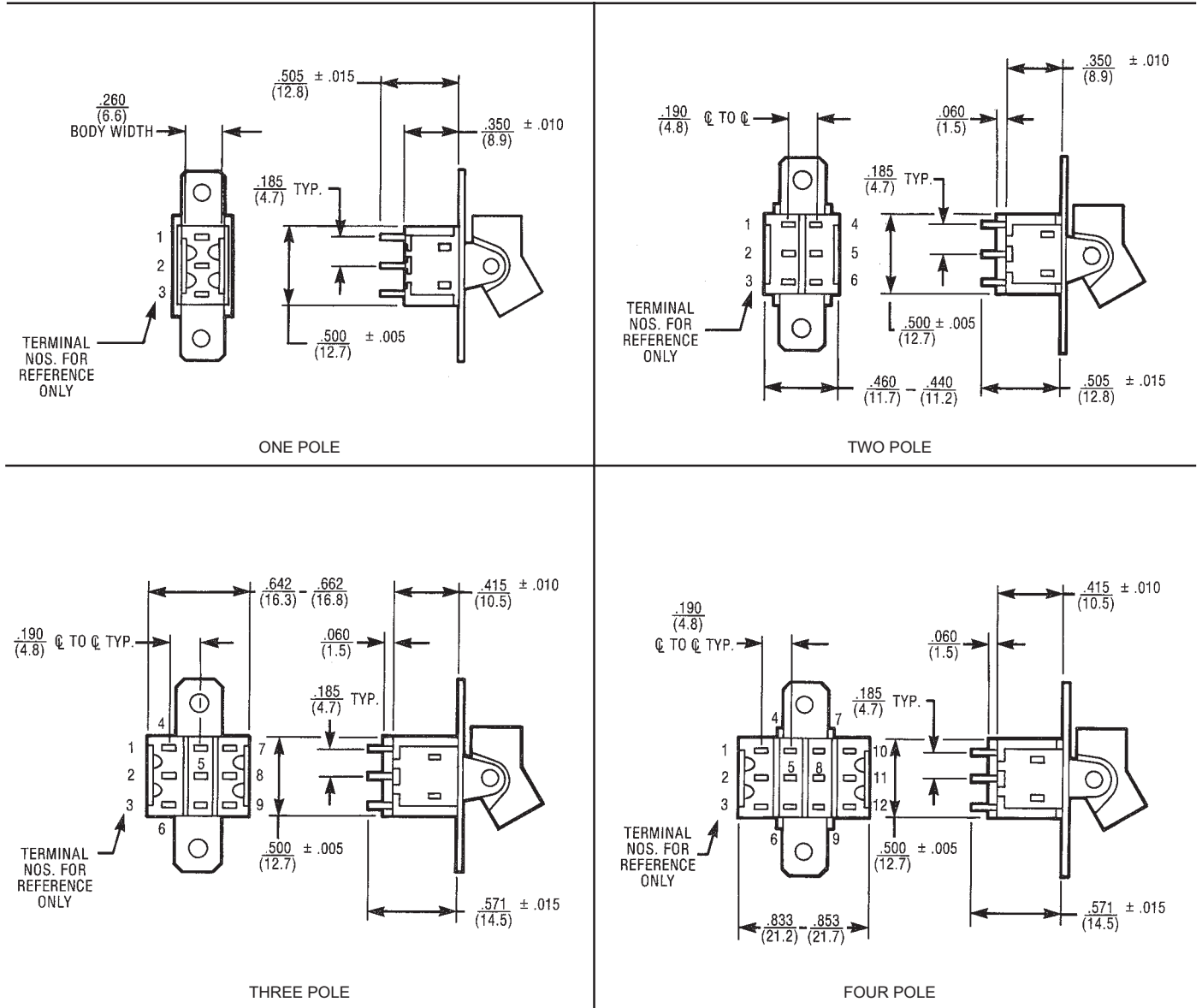
Center Terminal

Letter Codes B, G — Gold flash/nickel/brass

Letter Code Q — Silver plated brass.

Hardware — See page 57.

APPROXIMATE BASE DIMENSIONS



Rocker Actuator Options For P.C. Mounting

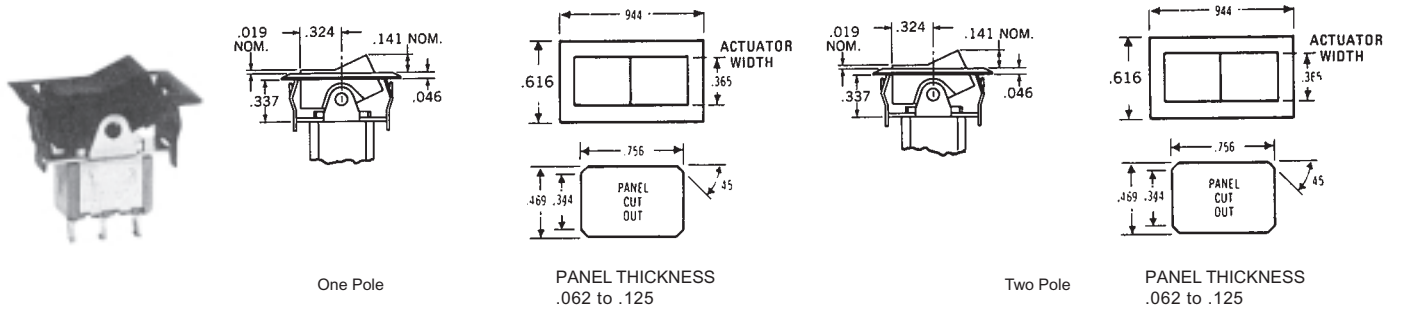
| | |
|-------------------|-------------------|
| <p>J71</p> | <p>J72</p> |
| <p>J73</p> | <p>J75</p> |
| <p>J76</p> | <p>J77</p> |

ACTUATOR/MOUNTING OPTIONS

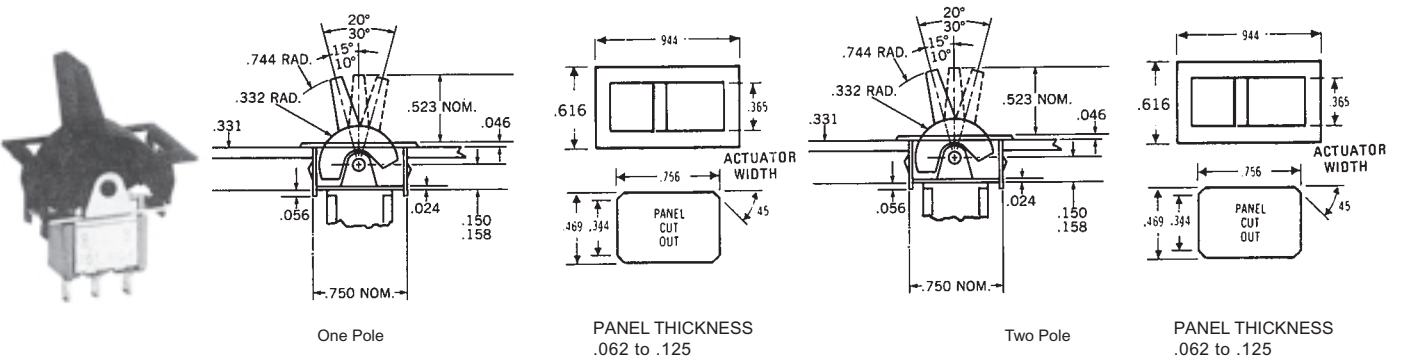
| | |
|--|--|
| <p>J1 Screw Mount Rocker</p> | <p>Refer to Page 57 for Mounting Hardware</p> |
| <p>J2 Screw Mount Paddle Rocker</p> | <p>Refer to Page 57 for Mounting Hardware</p> |
| <p>J3 Screw Mount Large Rocker</p> | <p>Refer to Page 57 for Mounting Information</p> |
| <p>J5 Screw Mount Large Tapered Paddle Rocker</p> | <p>Refer to Page 57 for Mounting Hardware</p> |

Actuator and Mounting Options — Cont'd

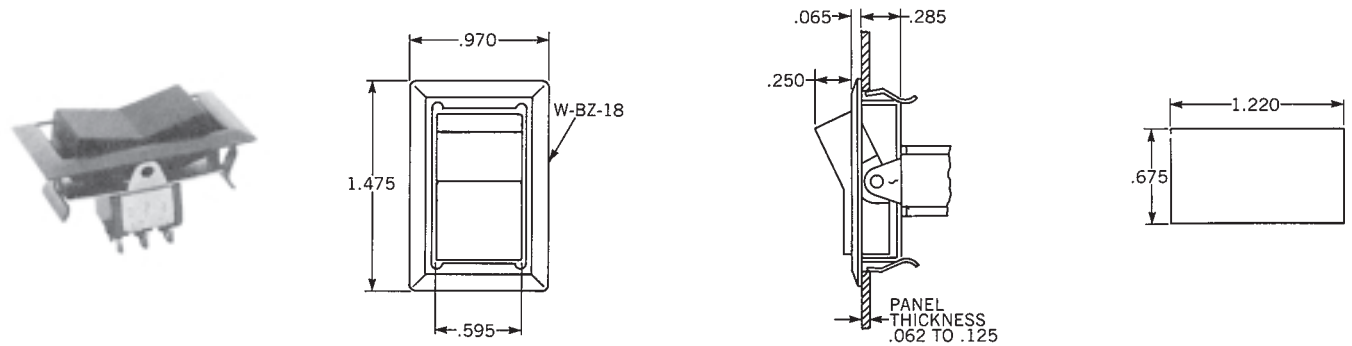
J11 Rocker with Snap-In Bezel ①



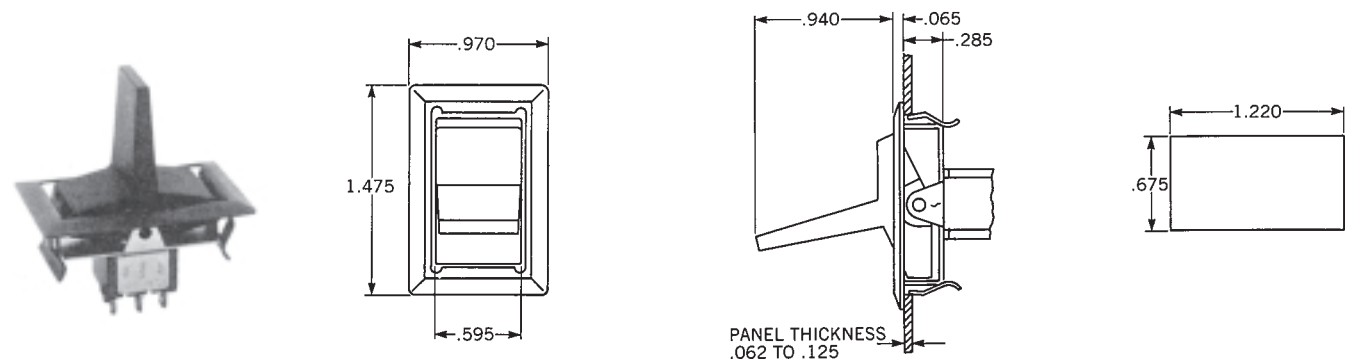
J21 Paddle with Snap-In Bezel ①



J37 Rocker Actuator/Mounting Option



J47 Paddle Actuator/Mounting Option



① Three and four pole switches require assembly from back of panel.

Actuator and Mounting Options

J50 = Snap in Mounting w/Low Profile Rocker ①
J60 = Snap in Mounting w/Low Profile Paddle

J50 Rocker Style **J60** Paddle Style

PANEL CUT-OUT

J53 = Snap in Mounting w/High Profile Rocker ①
J63 = Snap in Mounting w/High Profile Paddle

J53 Rocker Style **J63** Paddle Style

PANEL CUT-OUT

OPTIONAL BEZELS (For use with J50/J60 Series only)

Bezel Assembled with J50/J60 Series

J50 Rocker Style w/Bezel **J60** Paddle Style w/Bezel

PANEL CUT-OUT

| Color | Code | Part No. |
|-------|------|----------|
| White | 1P | W-BZ-12A |
| Black | 2P | W-BZ-12 |
| Red | 3P | W-BZ-12B |

Bezel for L.E.D. Assembled with J50/J60 Series (Note: LED is not supplied)

J50 Rocker Style w/Bezel for L.E.D. **J60** Paddle Style w/Bezel for L.E.D.

PANEL CUT-OUT

| Color | Code | Part No. |
|-------|------|----------|
| Black | 4P | W-BZ-15 |

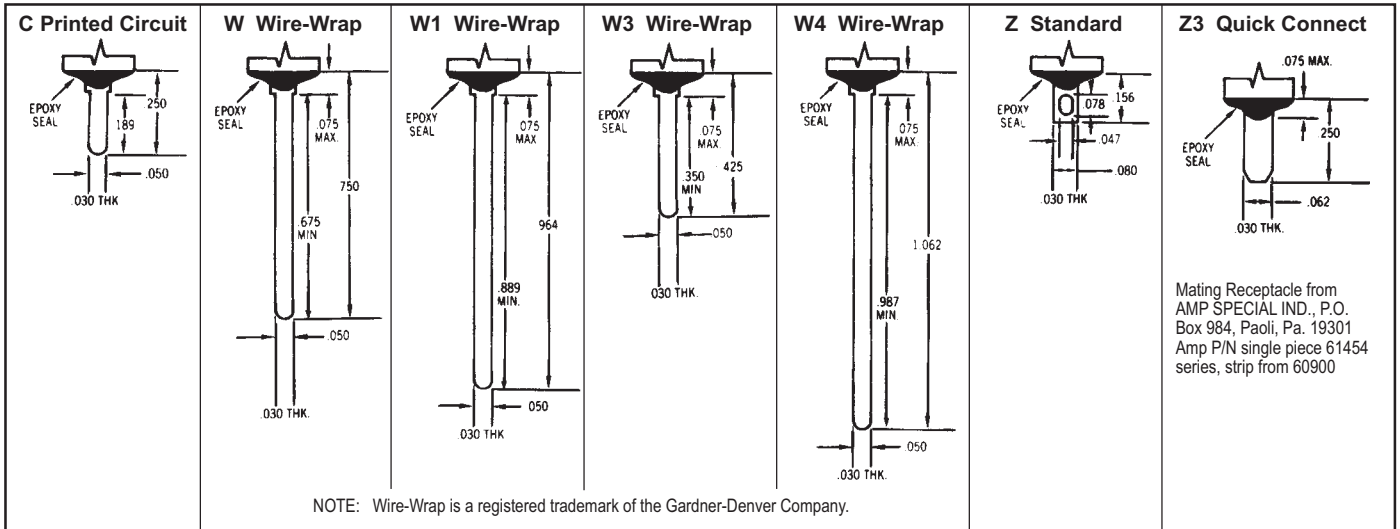
OPTIONAL MOUNTING CLIP (For use with J50/J60 Series only)

Clip Assembled with J50/J60 Series

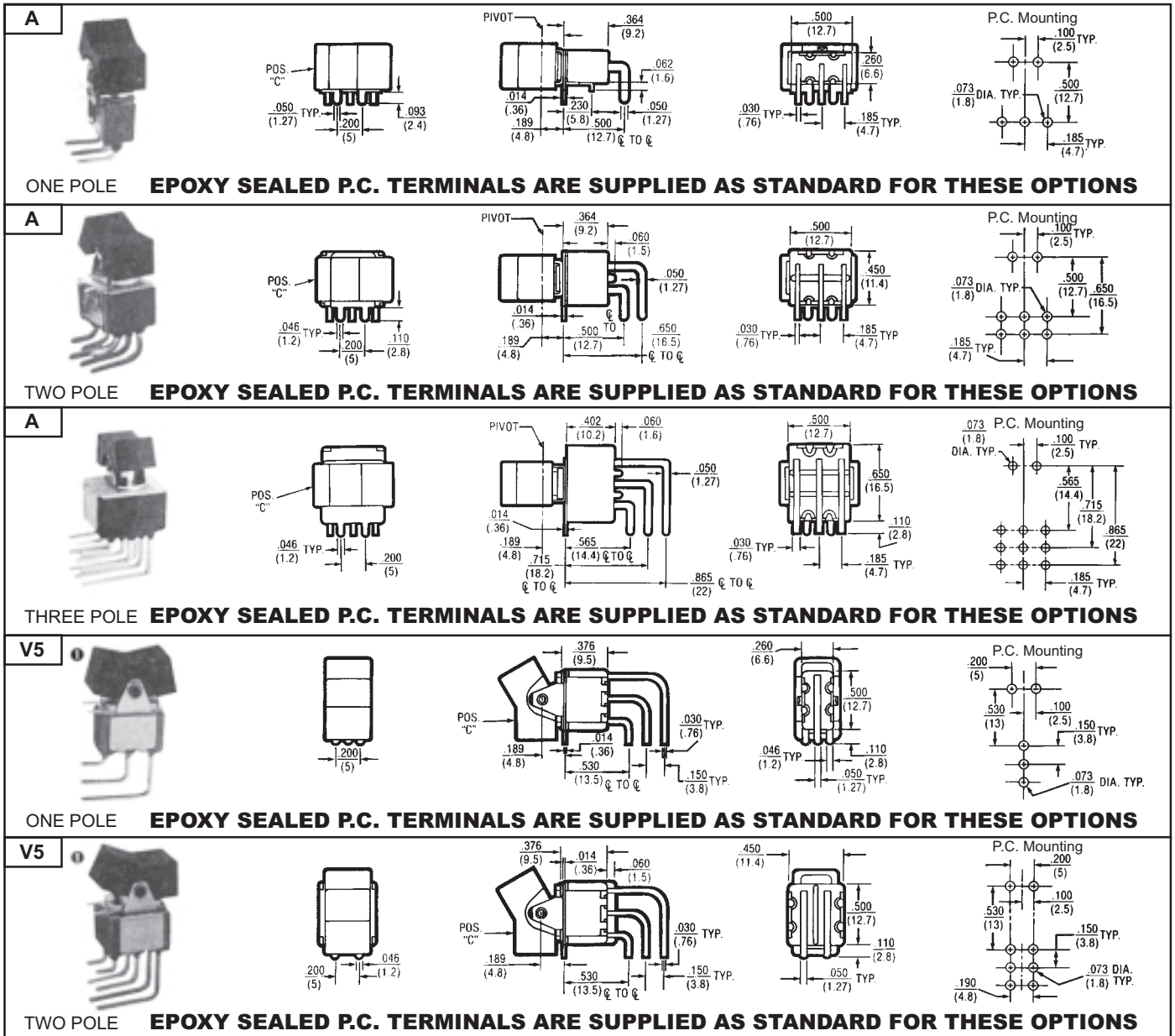
PANEL CUT-OUT

- For thick plastic panel mount applications (.094" - .125" thick)
- Consult factory for availability

① All rocker switches on this page are snap-in from the front of the panel. No behind panel assembly hardware is needed.



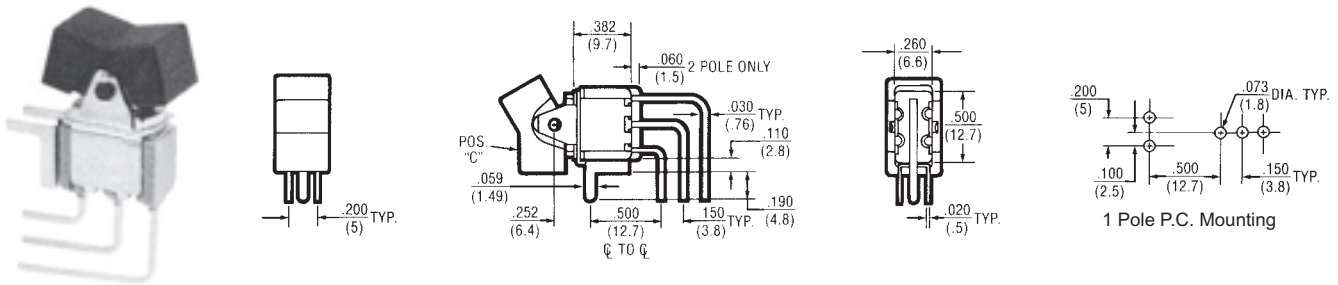
TERMINATION/MOUNTING OPTIONS



① The V5 option is available in Three and Four Pole Circuits.

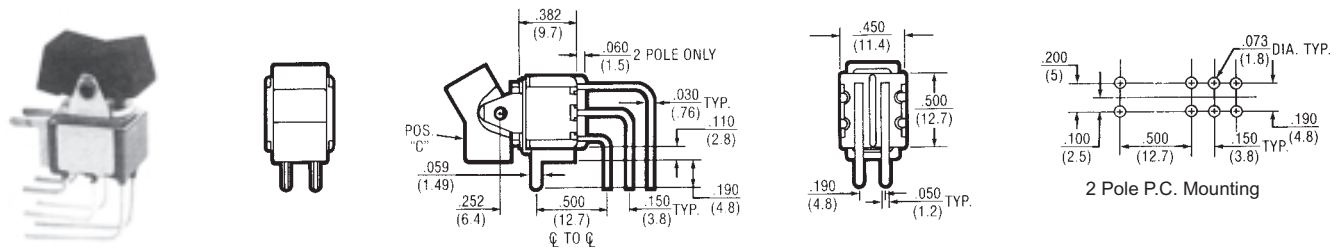
Termination/Mounting Options

AV1 w/.100" Terminal Spacing
AV2 w/.150" Terminal Spacing (Pictured Below)



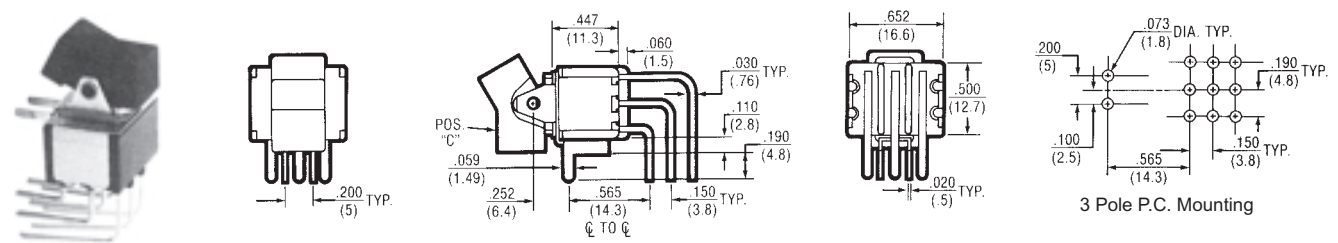
ONE POLE **EPOXY SEALED P.C. TERMINALS ARE SUPPLIED AS STANDARD FOR THESE OPTIONS**

AV1 w/.100" Terminal Spacing
AV2 w/.150" Terminal Spacing (Pictured Below)



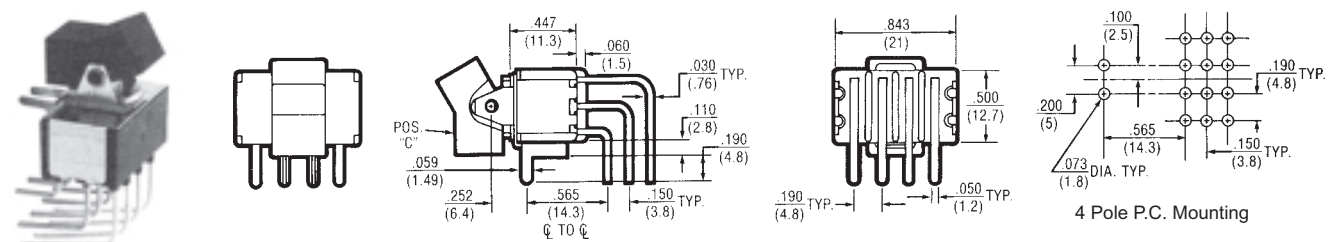
TWO POLE **EPOXY SEALED P.C. TERMINALS ARE SUPPLIED AS STANDARD FOR THESE OPTIONS**

AV1 w/.100" Terminal Spacing
AV2 w/.150" Terminal Spacing (Pictured Below)



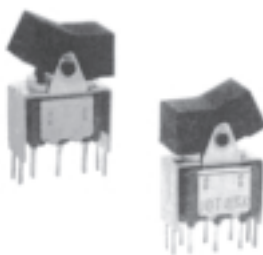
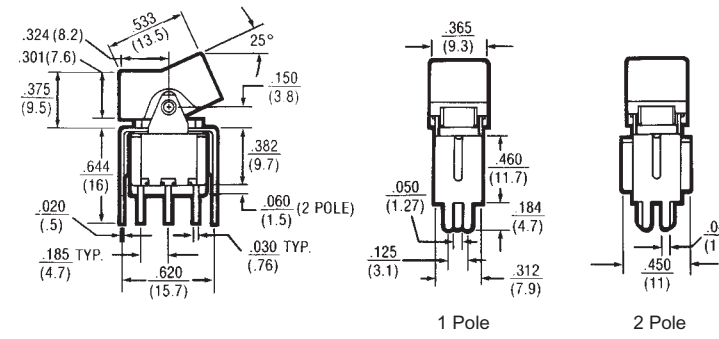
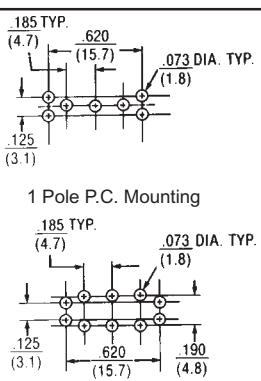
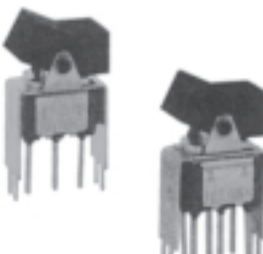
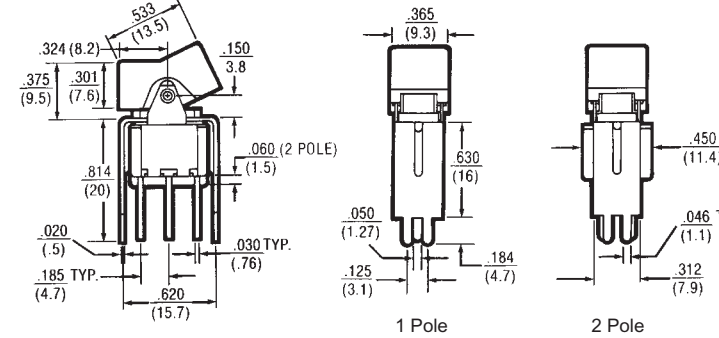
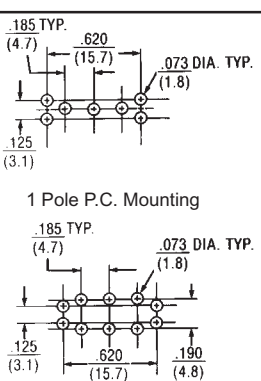
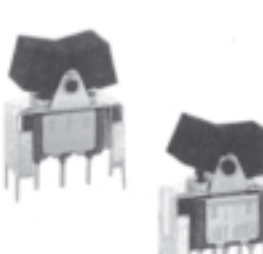
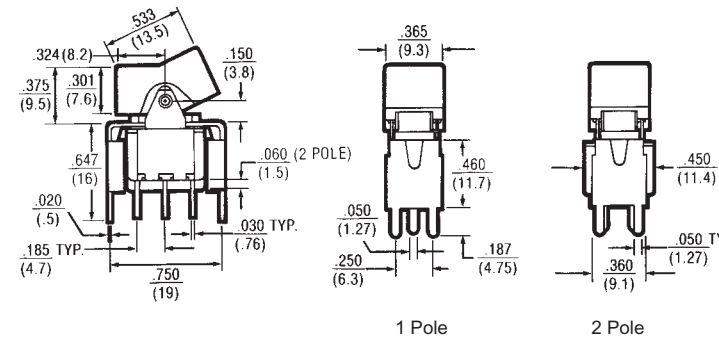
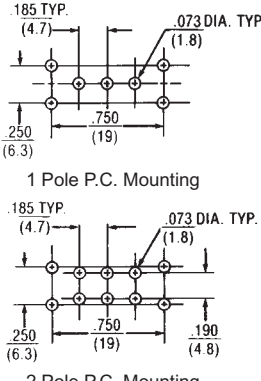
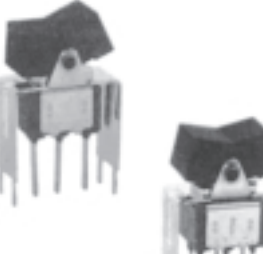
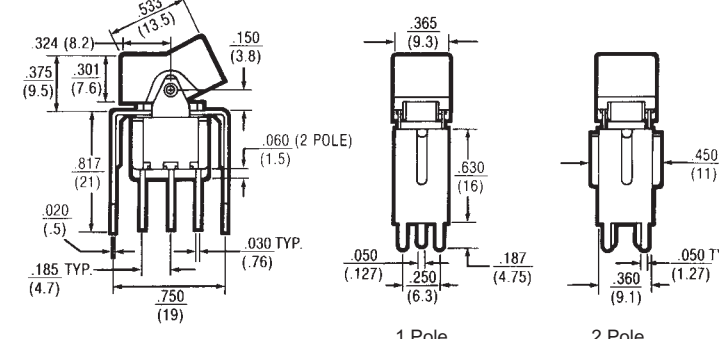
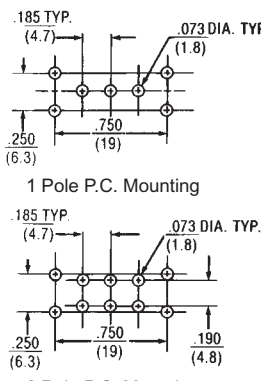
THREE POLE **EPOXY SEALED P.C. TERMINALS ARE SUPPLIED AS STANDARD FOR THESE OPTIONS**

AV1 w/.100" Terminal Spacing
AV2 w/.150" Terminal Spacing (Pictured Below)



FOUR POLE **EPOXY SEALED P.C. TERMINALS ARE SUPPLIED AS STANDARD FOR THESE OPTIONS**

Termination/Mounting Options

| | | |
|--|--|---|
| <p>V3</p>  |  <p>1 Pole</p> <p>2 Pole</p> |  <p>1 Pole P.C. Mounting</p> <p>2 Pole P.C. Mounting</p> |
| <p>EPOXY SEALED P.C. TERMINALS ARE SUPPLIED AS STANDARD FOR THESE OPTIONS</p> | | |
| <p>V4</p>  |  <p>1 Pole</p> <p>2 Pole</p> |  <p>1 Pole P.C. Mounting</p> <p>2 Pole P.C. Mounting</p> |
| <p>EPOXY SEALED P.C. TERMINALS ARE SUPPLIED AS STANDARD FOR THESE OPTIONS</p> | | |
| <p>V6</p>  |  <p>1 Pole</p> <p>2 Pole</p> |  <p>1 Pole P.C. Mounting</p> <p>2 Pole P.C. Mounting</p> |
| <p>EPOXY SEALED P.C. TERMINALS ARE SUPPLIED AS STANDARD FOR THESE OPTIONS</p> | | |
| <p>V7</p>  |  <p>1 Pole</p> <p>2 Pole</p> |  <p>1 Pole P.C. Mounting</p> <p>2 Pole P.C. Mounting</p> |
| <p>EPOXY SEALED P.C. TERMINALS ARE SUPPLIED AS STANDARD FOR THESE OPTIONS</p> | | |

Ordering Table — Washable Rocker & Paddle Switches

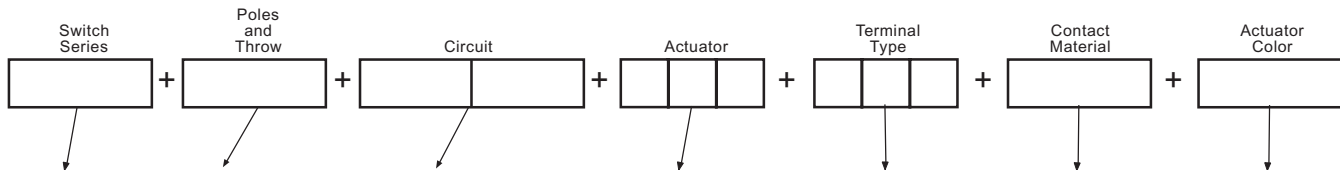
Designed to be wave soldered along with other Printed Circuit Board Components and withstand associated cleaning processes.

HOW TO ORDER YOUR DESIGN (Bold Face Type indicates items normally in Distributor Stock)

Following the table from left to right, the designer is able to specify the options wanted. The options are described and illustrated on the following pages.

To determine a part number select the options desired and fill in the boxes in the selection guides illustrated below.

Washable Rocker/Paddle Switch Selection Guide



| Series | | Poles and Throw | | Circuits ③ | | | | Actuator Options | | Terminal Options | | Contact Material | | Actuator Color | |
|--------|------|-----------------|------|-------------|------|----------|------|---------------------------|------|-----------------------------|------|------------------|------|----------------|------|
| Type | Code | No. | Code | Description | | | Code | Type | Code | Type | Code | Type | Code | Type | Code |
| Rocker | WR | SPDT | 1 | | | POS. "C" | | Rocker ⑤ (Screw Mount) | J1 | Right Angle PC | A | Gold/Brass | B | White | 1 |
| Paddle | WP | DPOT | 2 | ON | OFF | ON | 21 | Paddle ⑤ (Screw Mount) | J2 | Vertical PC .150 Spacing | AV2 | Gold/Silver | G | Black | 2 |
| | | | | ON | NONE | ON | 23 | Rocker Actuator ⑥ | J71 | PC Terminals | C | Coin Silver | Q | Other ② | |
| | | | | ON | NONE | ON* | 26 | Paddle Actuator ⑥ | J72 | PC & Support | V3 | ④ | K | | |
| | | | | ON* | OFF | ON* | 27 | Rocker Actuator ⑥ | J76 | .750 Wire Wrap | W | ④ | L | | |
| | | | | ON | OFF | ON* | 31 | Paddle Actuator ⑥ | J77 | .964 Wire Wrap | W1 | ④ | M | | |
| | | | | ON | ON | ON | 32 ① | | | .425 Wire Wrap | W3 | | | | |
| | | | | ON | ON | ON* | 33 ① | | | 1.062 Wire Wrap | W4 | | | | |
| | | | | ON* | ON | ON* | 35 ① | | | Solder Lug | Z | | | | |
| | | | | | | | | | | Quick Connect | Z3 | | | | |

*Momentary Contact.

- ① 2 Pole Only.
- ② Contact Electroswitch for availability.
- ③ Refer to page 59 for circuit diagram.
- ④ Same as B, G, and Q respectively except terminals brass with fine nickel alloy over nickel plate. Consult factory for availability.
- ⑤ Available with C, Z, Z3, W-W4 termination.
- ⑥ Available with A, AV2, V3, termination.

EXAMPLES:

- WR123J71AQ2** = SPDT rocker switch with an ON-NONE-ON circuit, J71 style rocker actuator (black), right angle P.C. terminals with coin silver contacts.
- WP227J2CG2** = DPDT paddle switch with an ON*-OFF-ON* circuit, J2 style paddle actuator (black), screw-in direct panel mounting frame, P.C. terminals with gold/silver contacts.

SPECIFICATIONS:

Contact Ratings — Letter codes G and Q — 6 amp at 125 VAC, 3 amp @ 250 VAC (U.L. recognized, CSA certified) or 6 amp at 28 VDC resistive. Letter codes B and G — 0.5. volt-amp (VA) maximum @ 28 V maximum (AC or DC).

Life Under Load — 60,000 make-and-break cycles — resistive load only.

Initial Contact Resistance — 10 milliohms maximum 3 VDC, 100 ma for both silver and gold plated contacts.

Insulation Resistance — 1,000 megohms, min.

Dielectric Strength — 1,000 volts rms at sea level.

Operating Temperature — -30 degrees C to 85 degrees C.

MATERIALS:

Base & Bushing — Thermoplastic high temperature (UL 94V-O).

Rocker/Paddle — Molded nylon.

Mounting Bracket — Molded nylon.

Support Brackets — Brass or steel tin plated.

Switching Contacts and Rockers —

- Letter Code B — gold/nickel/brass
- Letter Code G — gold/nickel/silver
- Letter Code Q — Coin silver

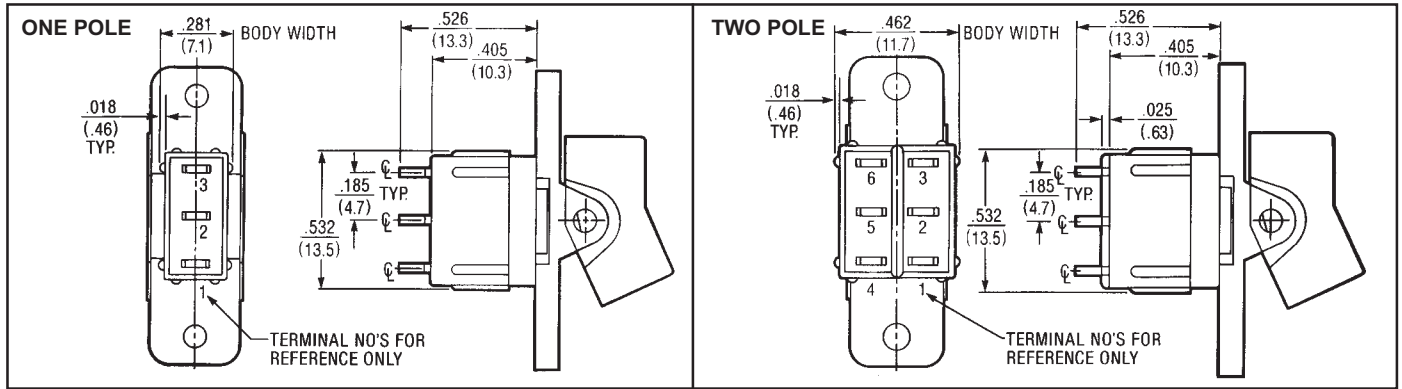
Center Terminal

- Letter Codes B & G — Gold flash/nickel/brass
- Letter Code Q — Silver plated brass.

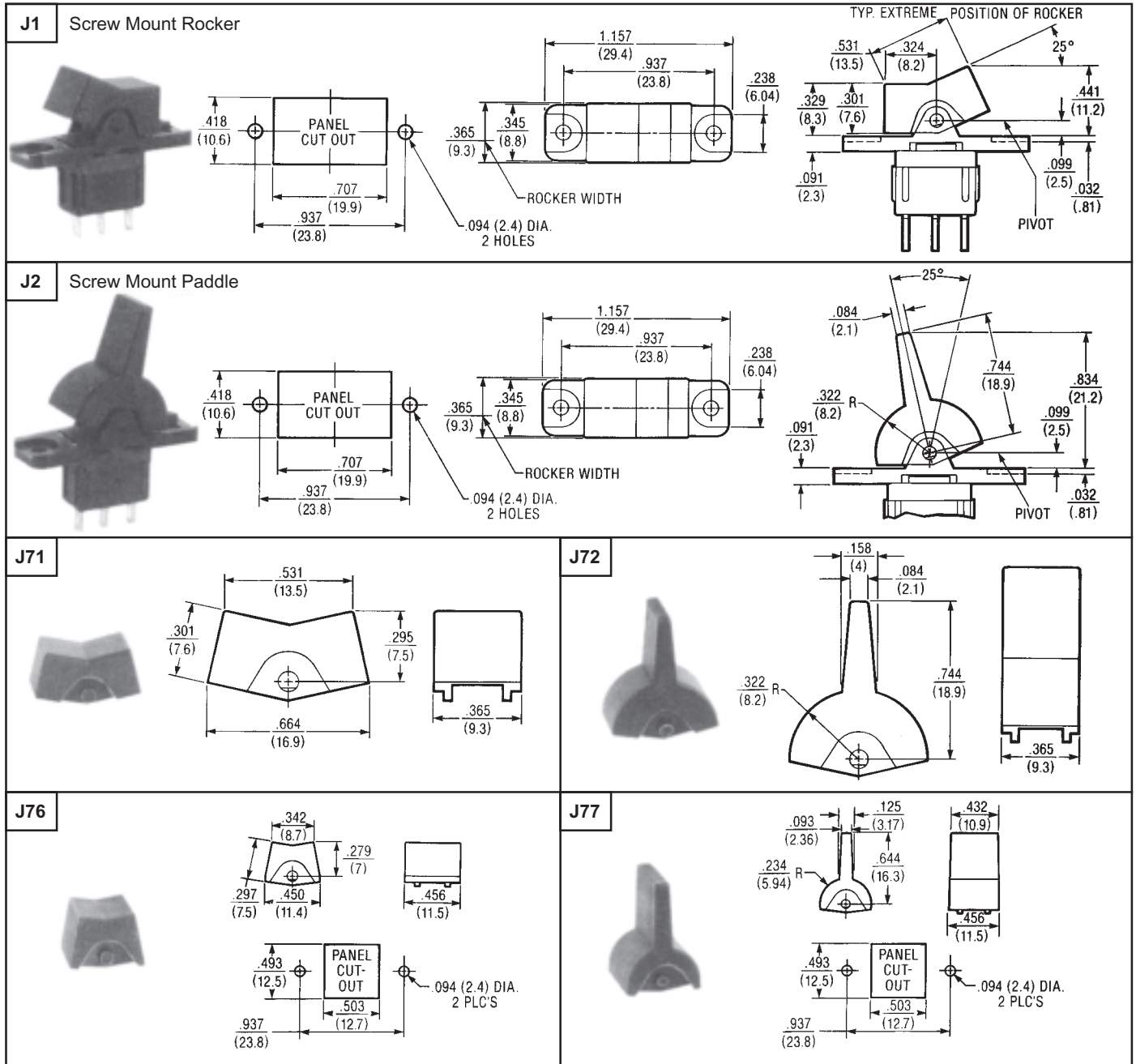
Hardware — Two mounting screws, two nuts, two spacers for .094" thick panel, and two lockwashers are supplied standard on screw mounted switches.

Washable Rocker & Paddle Switches — Specifications

APPROXIMATE BASE DIMENSIONS

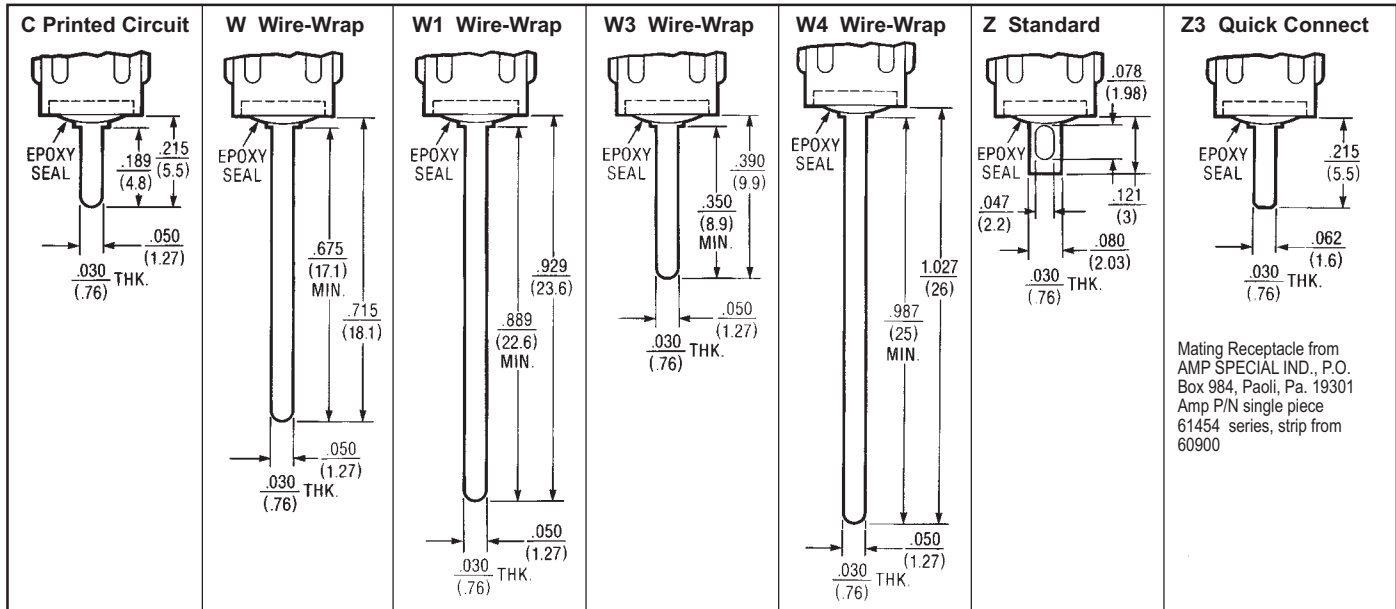


ACTUATOR/MOUNTING OPTIONS



Washable Rocker & Paddle Switches

TERMINATION OPTIONS



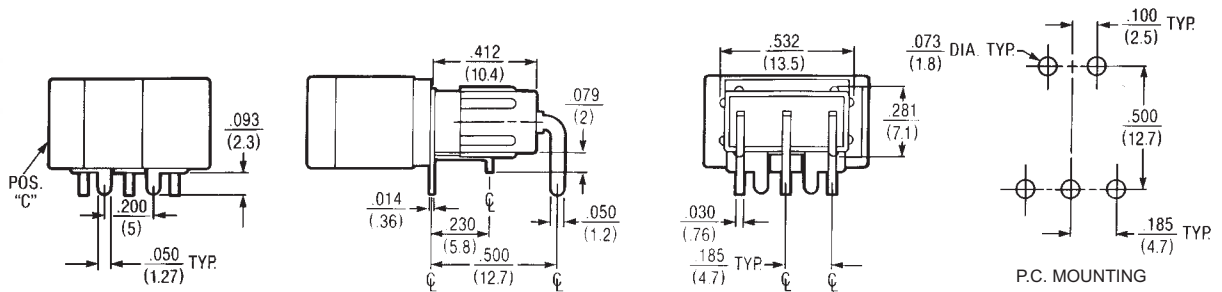
NOTE: Wire-Wrap is a registered trademark of the Gardner-Denver Company.

TERMINATION & MOUNTING OPTIONS

A



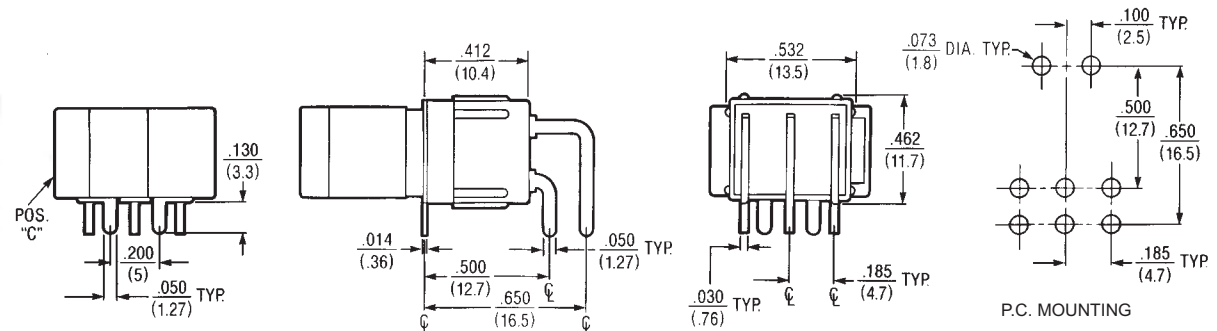
ONE POLE



A



TWO POLE

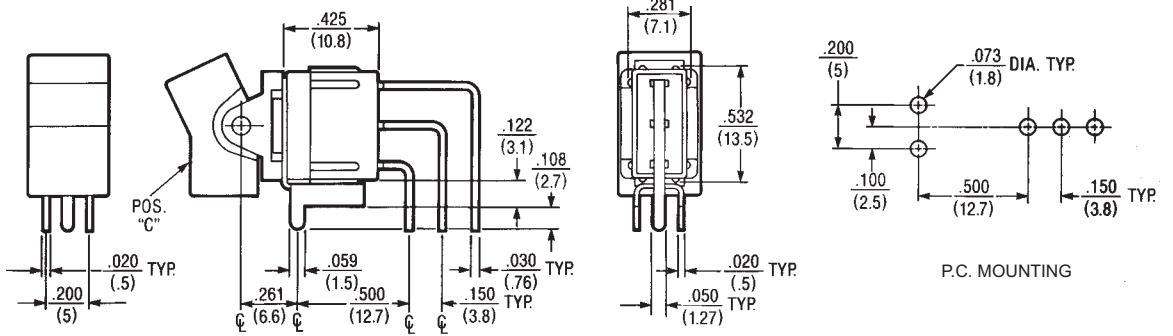


TERMINATION & MOUNTING OPTIONS — Contd.

AV2



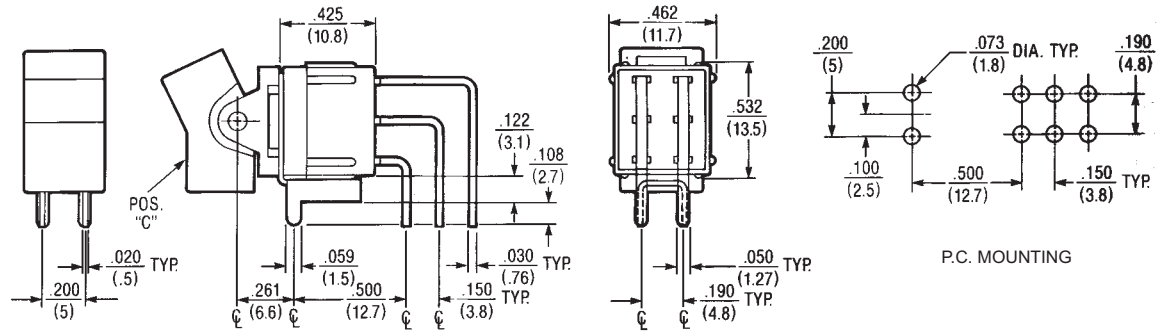
ONE POLE



AV2



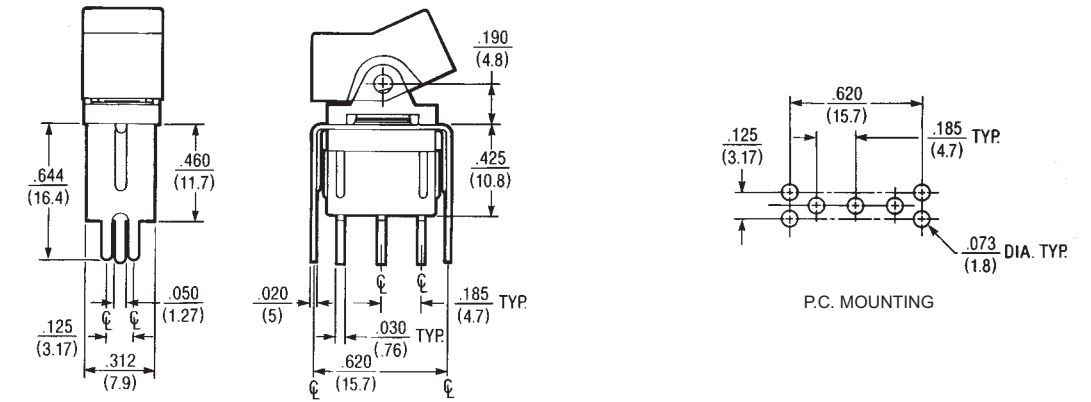
TWO POLE



V3



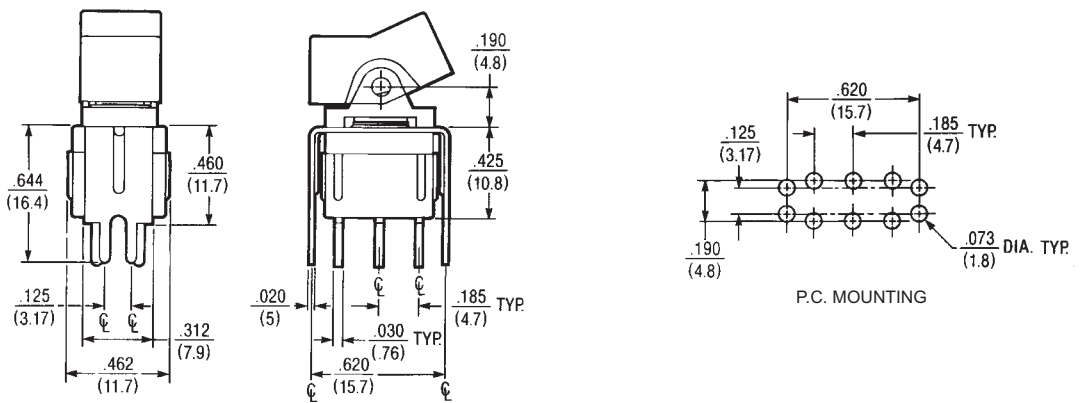
ONE POLE



V3



TWO POLE



Sub-Miniature Rocker Switches for Printed Circuit Boards — Wave Solderable Series RK8000 PCB Rocker Switches

SPECIFICATIONS

- Mechanical life – 500,000 operations minimum
- Contact resistance – 25 milliohms maximum
- Dielectric strength – 1000 VAC rms
- Ambient temperature range – -20°C to +70°C
- Weight – 0.06 ounces (1.7 grams)
- Electrical life – 100,000 operations minimum
- Red rocker supplied as standard. Various rocker colors are available. For information consult Electroswitch
- Contact material – Gold over nickel over silver over copper

CURRENT RATINGS

| Type | Nominal Rating, Amperes | | | |
|---------------|-------------------------|--------|--------|---------|
| | 6V dc | 12V dc | 28V dc | 125V ac |
| RK8001-RK8007 | 1 | 1 | 0.5 | 0.5 |

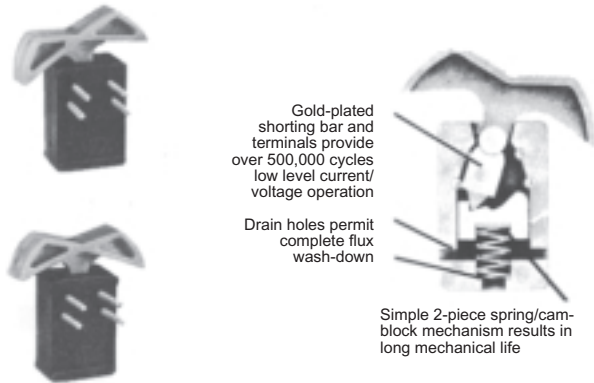
NOTE: For special .5 VA max. rating @ 28 VAC or DC contact Electroswitch.

SELECTION TABLE

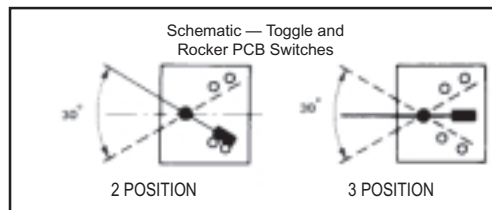
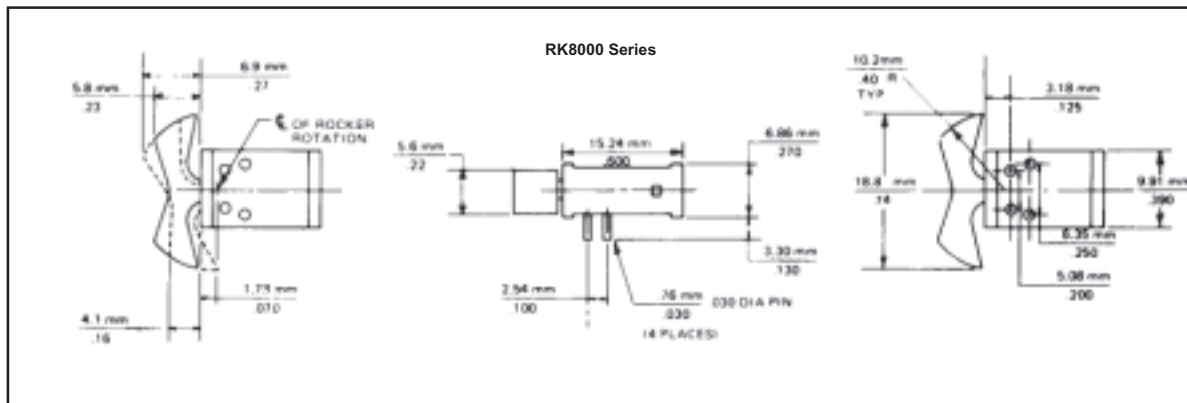
(**Bold Face Type** indicates items normally in Distributor Stock)

| Circuit With Lever In | | | Poles & Throw | No. Of Positions | Catalog No. P.C. Terminals 0.130" (3.30 mm) Long |
|-----------------------|------------|------------|---------------|------------------|--|
| Position A | Position B | Position C | | | |
| ON | NONE | ON | 2 Circ. | 2 | RK8001 |
| ON | NONE | ON* | | 2 | RK8002 |
| ON* | NONE | ON | | 2 | RK8003 |
| ON | OFF | ON* | | 3 | RK8004 |
| ON* | OFF | ON | | 3 | RK8005 |
| ON | OFF | ON | | 3 | RK8006 |
| ON* | OFF | ON* | 3 | 3 | RK8007 |

* Momentary Contact



APPROXIMATE DIMENSIONS



CAUTION — MANUAL SWITCHES ARE AFFECTED BY HEAT, CLEANING SOLVENTS AND FLUX. EXTREME CARE SHOULD BE EXERCISED DURING HAND SOLDERING AND WAVE SOLDERING TO PREVENT SWITCH CONTAMINATION.

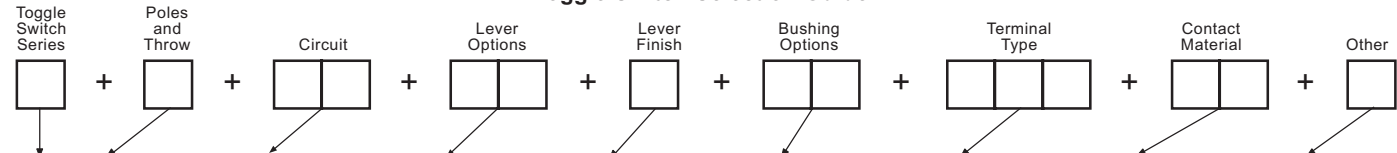
Ordering Table — Standard Toggle Switches

HOW TO ORDER YOUR DESIGN (Bold Face Type indicates items normally in Distributor Stock)

Following the table from left to right, the designer is able to specify the options wanted. The options are described and illustrated on pages 24-31. Refer to page 57 for mounting hardware.

To determine a part number select the options desired and fill in the boxes in the selection guides illustrated below.

Toggle Switch Selection Guide



| Series | Poles and Throw | | Circuits ¹⁰ | | | | Lever Options and Finishes | | | | Bushing Options | | Terminal Options ⁷ | | Contact Material | | Other Option | |
|--------|-----------------|------|------------------------|------|----------|------------------------------|----------------------------|-----------------------------|------|--|-----------------|--|-------------------------------|--------------------|------------------|---------------------------|--------------|--|
| | No. | Code | Keyway | | Code | Type | Code | Finish | Code | Type | Code | Type | Code | Type | Code | Type | Code | |
| A | SPDT | 1 | | | POS. "C" | Lever Lock K Bushing Only | K1 | Bright Chrome ¹⁴ | 1 | Splashproof Lever ⁹ & Bushing Seal | CW | Right Angle PC | | Gold/Nickel/Brass | B | Epoxy Sealed ⁷ | | |
| | DPDT | 2 | ON | OFF | ON | .840 Bat | L0 | Stain Chrome | 2 | Splashproof ⁹ | CX | Vertical PC .100 Spacing | A | Gold/Nickel/Silver | G | Terminals | | |
| | | | | | | .640 Bat | L1 | Black ¹ | 3 | Lever Seal Only | | .150 Spacing | AV | Coin Silver | Q | Anti-Rotation | P | |
| | 3PDT | 3 | ON | NONE | ON | .550 Bat | L2 | | | .280 Threaded | D | Vertical PC .150 Spacing | AV2 | ¹⁵ | K | Anti-Jam | | |
| | | | | | | Long Mod Cap | L3 | Black Nylon ⁸ | 4 | ² | | Printed Circuit Terminals | C | ¹⁵ | L | Bushing ⁴ | | |
| | 4PDT | 4 | ON | NONE | ON* | Short Mod Cap | L4 | Red Nylon ⁸ | 5 | .280 Smooth ² | D9 | Right Angle ⁹ Same Throw | R | ¹⁵ | M | | | |
| | | | | | | .200 Bat | M | White Nylon ⁸ | 6 | With Shoulder | H | Right Angle ⁹ Opposite Throw | R2 | | | | | |
| | | | ON* | OFF | ON* | .450 Flat | P1 | | | .350 Keyway With Shoulder | H3 | PC & Support ⁶ | V30 | | | | | |
| | | | ON | OFF | ON* | .250 Flat | P3 | | | Locking K1 Lever Only | K | PC & Support ⁶ | V40 | | | | | |
| | | | ON | ON | ON | .410 Bat | P4 | | | 15/32 Dia. ¹² | T | PC & Support ⁶ | V60 | | | | | |
| | | | ON | ON | ON* | .468 Large ¹³ | S | | | Splashproof Lever ¹² 15/32 & Panel Seal | TW | PC & Support ⁶ | V70 | | | | | |
| | | | NONE | ON | ON* | .687 Large ¹³ | T1 | | | 15/32 Splashproof ¹² Lever Seal Only | TX | PC & Support ⁶ | W | | | | | |
| | | | ON* | ON | ON* | | T | | | .350 Threaded | Y | .750 Wire Wrap | W1 | | | | | |
| | | | NONE | ON | ON | | | | | .437 Threaded (With P3 Only) | Y5 | .964 Wire Wrap | W3 | | | | | |
| | | | | | | | | | | .350 Smooth | Y9 | 1.062 Wire Wrap | W4 | | | | | |
| | | | | | | | | | | | | Solder Lugs | Z | | | | | |
| | | | | | | | | | | | | Quick Connect | Z3 | | | | | |

*Momentary Contact

- ¹ Available on S, M and P3 only.
- ² Add .070 to lever length when using these bushings.
- ³ Available with S, M, L0, L1, L2, L3, L4 lever options. Consult factory for availability.
- ⁴ Standard on P1, P3, P4 and K1 lever options. Available on all other levers except T & T1.
- ⁵ These circuits are **NOT** available with the following 3 and 4 pole options: A, AV, AV2, V30, V40, V60 and V70.
- ⁶ 1 and 2 pole only.
- ⁷ Epoxy seal standard on all terminal options.

- ⁸ Available only with L3 and L4 levers.
- ⁹ Available in 1 pole only.
- ¹⁰ See page 58 for construction detail, wiring and electrical diagrams.
- ¹¹ 1, 2 and 3 pole only.
- ¹² Available on T or T1 lever options only.
- ¹³ Available on T, TW, and TX bushing options. (Bright chrome only.)
- ¹⁴ Not available on K1 lever.
- ¹⁵ Same as B, G and Q respectively except terminals brass with tin nickel alloy over nickel plate. Consult plant for availability.

EXAMPLES:

A232L01YW1B = DPDT toggle switch with an ON-ON-ON circuit, .840" long lever in a bright chrome finish, .350 threaded bushing, .964" long wire wrap terminals, gold/brass contacts and epoxy sealed terminals.

SPECIFICATIONS:

Contact Ratings —

Letter codes G and Q — 6 amp at 125 VAC, 3 amp @ 250 VAC (U.L. recognized, CSA certified) or 6 amp at 28 VDC resistive.

Letter codes B and G — 0.5. volt-amp (VA) maximum @ 28 V maximum (AC or DC).

Life Under Load — 60,000 make-and-break cycles — resistive load only.

Initial Contact Resistance — 10 milliohms maximum 3 VDC, 100 ma for both silver and gold plated contacts.

Insulation Resistance — 1 & 2 pole —1,000 megohms, min.
3 & 4 pole —1,000 megohms, min.

Dielectric Strength — 1,000 volts rms at sea level.

Bushing Strength — 12 pound-inches without physical damage to switch.

Weight (including hardware) — SP 0.19 oz.; DP 0.23 oz.; 3-pole 0.28 oz.; 4-pole 0.32 oz.

MATERIALS:

Base (body) — 1- and 2-pole —Diallyl Phthalate (DAP).
3- and 4-pole — high strength phenolic.

Lever (toggle) — Brass, chrome plated.

Flat Lever — Brass, satin chrome finish.

Locking lever cap — Anodized aluminum.

Bushing — Brass, nickel plated.

Clamp (frame) — Stainless steel.

Support brackets — Steel, tin plated.

Switching Contacts and Rockers —

Letter Code B — gold/nickel/brass

Letter Code G — gold/nickel/silver

Letter Code Q — Coin silver

Center Terminal

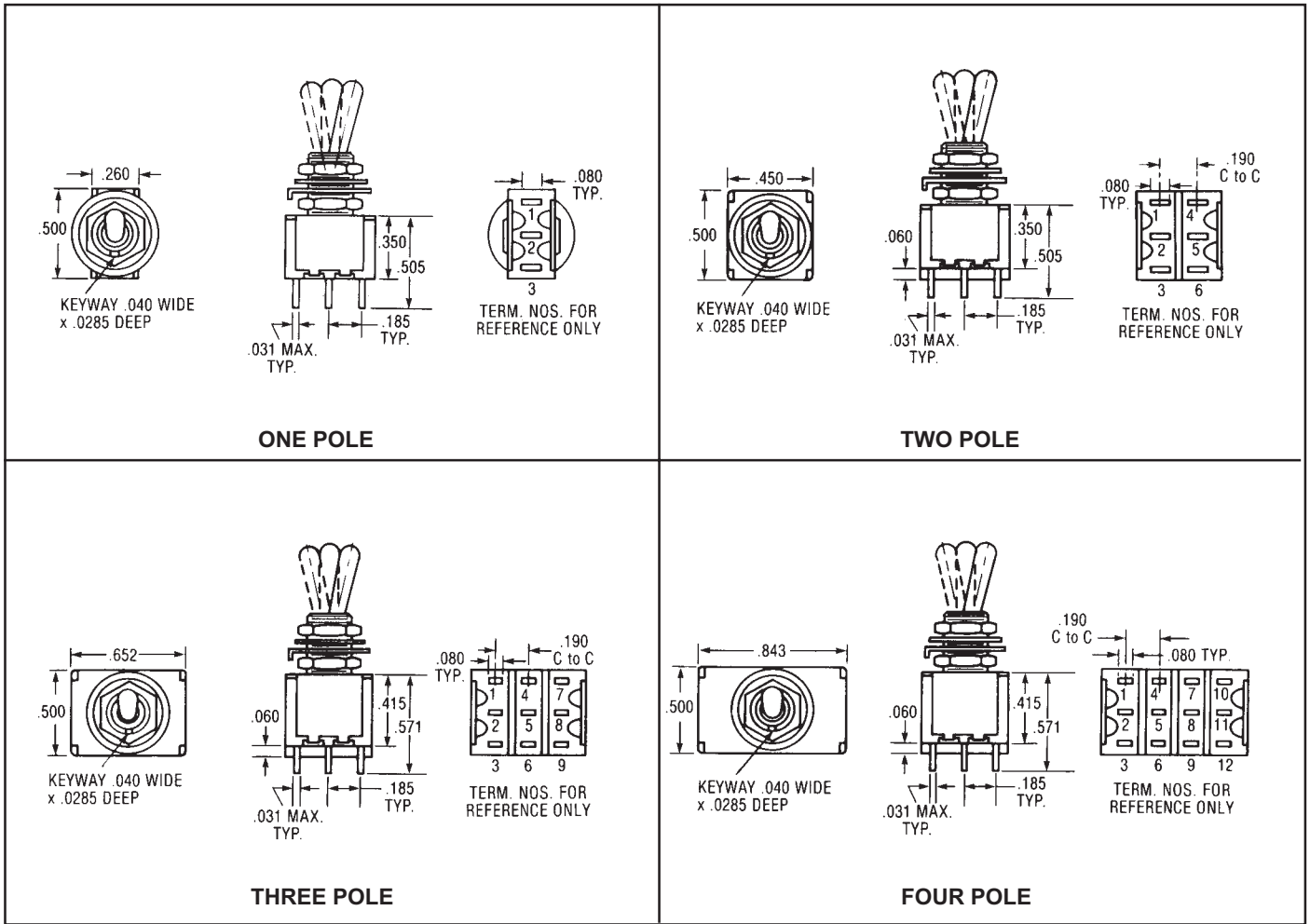
Letter Codes B, G — Gold flash/nickel/brass

Letter Code Q — Silver plated brass.

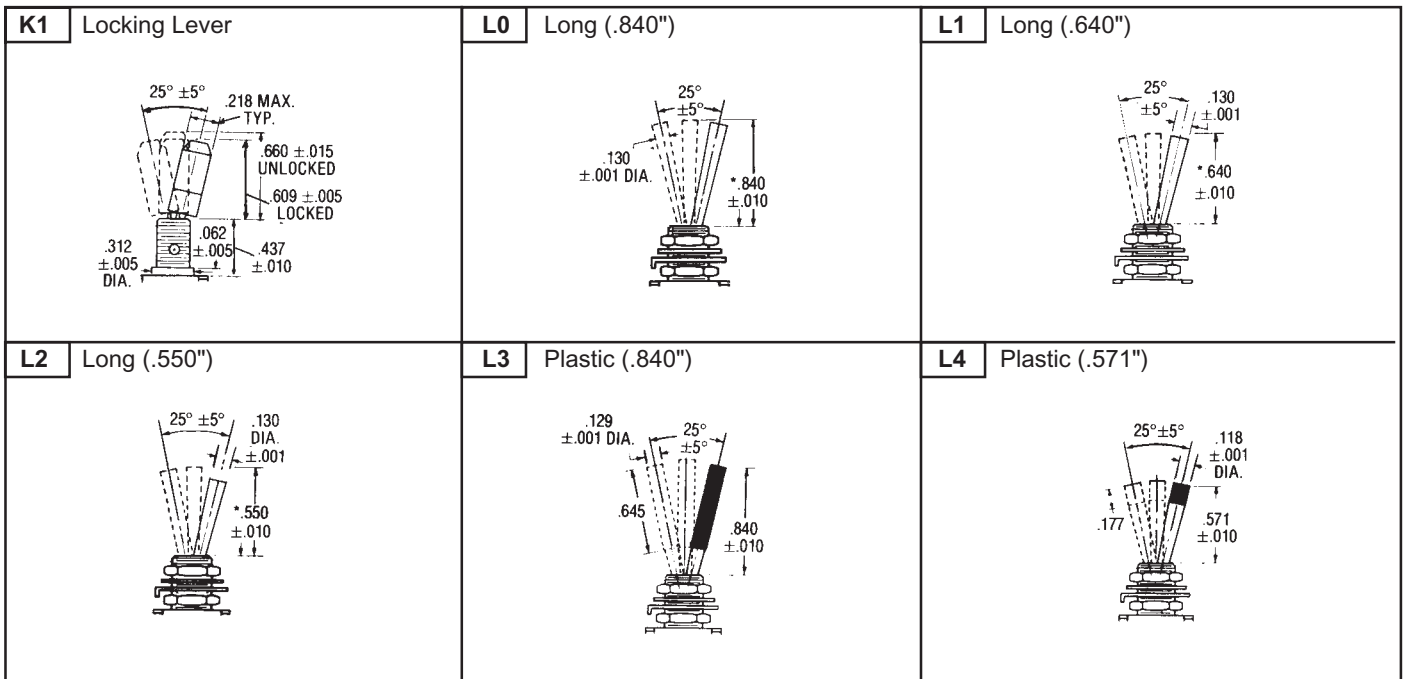
Hardware — See page 55-57.

Toggle Switches — Base Dimensions and Lever Options

APPROXIMATE BASE DIMENSIONS



TOGGLE LEVER OPTIONS



Toggle Lever Options — Contd.

| | | | |
|----------------------------------|----------------------------------|----------------------------------|----------------------------------|
| <p>M Short (.200")</p> | <p>P1 Flatted (.840")</p> | <p>P3 Flatted (.448")</p> | <p>P4 Flatted (.250")</p> |
| <p>S Std. Bat (.410")</p> | <p>T Large Toggle</p> | <p>T1 Large Toggle</p> | |

BUSHING OPTIONS

| | | |
|--|--|---------------------------------------|
| <p>CW Splashproof Sealed Lever and Panel Seal</p> <p>CW = Flatted bushing</p> | <p>D D9 Threaded Smooth (No Keyway)</p> | |
| <p>H High Torque Flatted with Shoulder</p> | <p>H3 High Torque</p> <p>.228 .225 OVER FLAT</p> | <p>P Anti-Rotation</p> |
| <p>TW Splashproof Sealed Lever and Panel Seal</p> | <p>OX Y Y9 Threaded with Lever Seal Threaded Smooth (No Keyway)</p> | <p>Y5 Long Bushing (.437")</p> |

K Refer to K1 lever drawing for dimensions.

T&TX Refer to T or T1 lever drawing for dimensions.

Note: For hardware refer to pages 55-57.

| | | | | | | |
|---------------------------------|---------------------------|----------------------------|----------------------------|----------------------------|--------------------------|---|
| <p>C Printed CIRCUIT</p> | <p>W Wire-Wrap</p> | <p>W1 Wire-Wrap</p> | <p>W3 Wire-Wrap</p> | <p>W4 Wire-Wrap</p> | <p>Z STANDARD</p> | <p>Z3 Quick CONNECT</p> <p>Mating Receptacle from AMP SPECIAL IND., P.O. Box 984, Paoli, Pa. 19301 Amp P/N single piece 61454 series, strip from 60900</p> |
|---------------------------------|---------------------------|----------------------------|----------------------------|----------------------------|--------------------------|---|

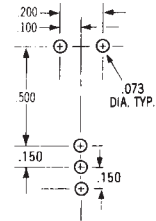
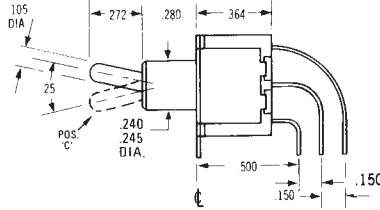
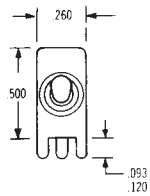
NOTE: Wire-Wrap is a registered trademark of the Gardner-Denver Company.

TERMINATION/MOUNTING OPTIONS

| | |
|---|--|
| <p>A</p> <p>One Pole</p> | <p>Right Angle P.C. Terminal</p> <p>EPOXY SEAL STD. FOR THIS OPTION</p> <p>.050 WIDE</p> |
| <p>A</p> <p>Two Pole</p> | <p>Right Angle P.C. Terminal</p> <p>EPOXY SEAL STD. FOR THIS OPTION</p> <p>.050 WIDE</p> |
| <p>A</p> <p>Three Pole</p> | <p>Right Angle P.C. Terminal</p> <p>EPOXY SEAL STD. FOR THIS OPTION</p> <p>.050 WIDE</p> |
| <p>R</p> <p>One Pole</p> <p>Contacts Make on Opposite Side Toggle Thrown</p> | <p>Right Angle P.C. Terminal</p> <p>EPOXY SEAL STD. FOR THIS OPTION</p> <p>.050 WIDE</p> |
| <p>R2</p> <p>One Pole</p> <p>Contacts Make on Opposite Side Toggle Thrown</p> | <p>Right Angle P.C. Terminal</p> <p>EPOXY SEAL STD. FOR THIS OPTION</p> <p>.050 WIDE</p> |

Termination/Mounting Options

| | |
|------------|---|
| AV1 | w/.100" terminal spacing |
| AV2 | w/.150" terminal spacing (pictured below) |



ONE POLE Epoxy sealed P.C. terminals are supplied as standard for these options.

| | |
|------------|---|
| AV1 | w/.100" terminal spacing |
| AV2 | w/.150" terminal spacing (pictured below) |



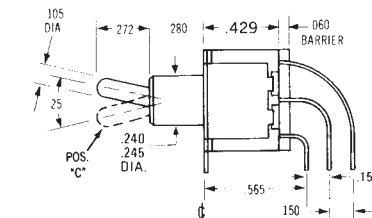
TWO POLE Epoxy sealed P.C. terminals are supplied as standard for these options.

| | |
|------------|---|
| AV | w/.100" terminal spacing |
| AV2 | w/.150" terminal spacing (pictured below) |



THREE POLE Epoxy sealed P.C. terminals are supplied as standard for these options.

| | |
|------------|---|
| AV | w/.100" terminal spacing |
| AV2 | w/.150" terminal spacing (pictured below) |



FOUR POLE Epoxy sealed P.C. terminals are supplied as standard for these options.

V30



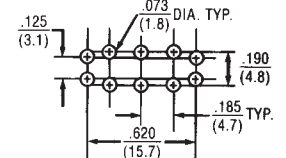
ONE POLE



TWO POLE



1 Pole P.C. Mounting



2 Pole P.C. Mounting

EPOXY SEALED P.C. TERMINALS ARE SUPPLIED AS STANDARD FOR THESE OPTIONS

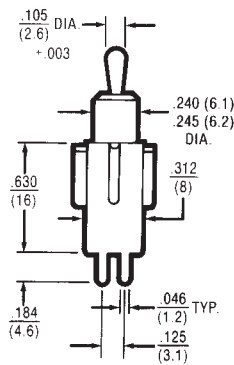
V40



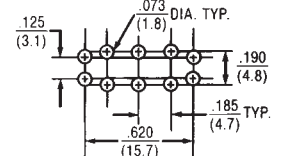
ONE POLE



TWO POLE



1 Pole P.C. Mounting



2 Pole P.C. Mounting

EPOXY SEALED P.C. TERMINALS ARE SUPPLIED AS STANDARD FOR THESE OPTIONS

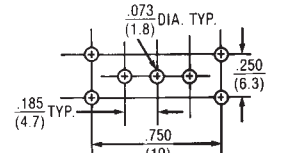
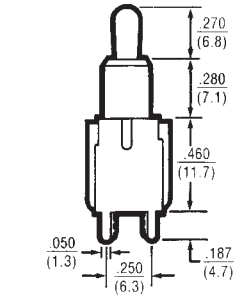
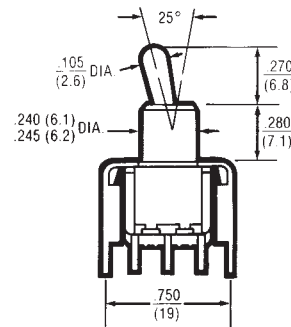
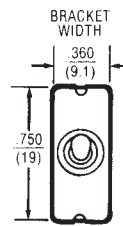
V60



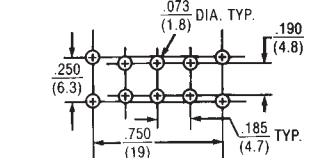
ONE POLE



TWO POLE



1 Pole P.C. Mounting



2 Pole P.C. Mounting

EPOXY SEALED P.C. TERMINALS ARE SUPPLIED AS STANDARD FOR THESE OPTIONS

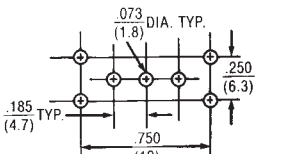
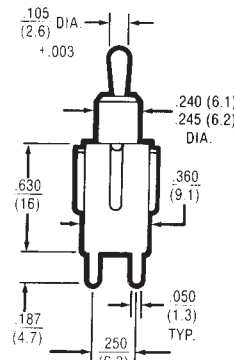
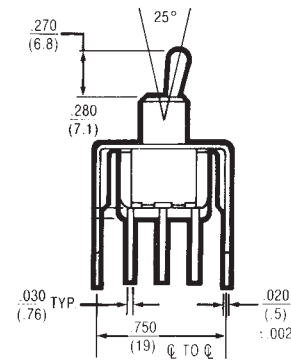
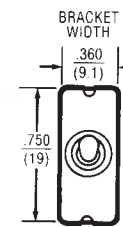
V70



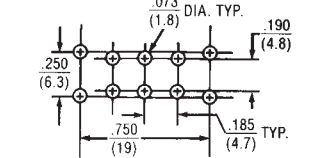
ONE POLE



TWO POLE



1 Pole P.C. Mounting



2 Pole P.C. Mounting

EPOXY SEALED P.C. TERMINALS ARE SUPPLIED AS STANDARD FOR THESE OPTIONS

Ordering Table — Washable Toggle Switches

Designed to be wave soldered along with other Printed Circuit Board Components and withstand associated cleaning processes.

HOW TO ORDER YOUR DESIGN (Bold Face Type indicates items normally in Distributor Stock)

Following the table from left to right, the designer is able to specify the options wanted. The options are described and illustrated on the following pages.

To determine a part number select the options desired and fill in the boxes in the selection guides illustrated below.

WashableToggle Switch Selection Guide

| | | | | | | | | | | | | | | | | | |
|---------------|------|-----------------|-----|---------|------------|-----|---------------|---------------|--------------|-----------------|------|---------------|------|-----------------------------|------|-------------|---|
| Toggle Series | | Poles and Throw | | Circuit | | | Lever Options | | Lever Finish | Bushing Options | | Terminal Type | | Contact Material | | | |
| Series | Type | Code | No. | Code | Circuits ⑥ | | | Type | Code | Finish | Code | Type | Code | Type | Code | | |
| | | | | | Keyway | | | | | | | | | | | | |
| | | | | | POS. "C" | | | | | | | | | | | | |
| Toggle | WT | SPDT | 1 | ON | OFF | ON | 21 | .940 BAT. | L0 | Bright Chrome | 1 | .250 Smooth | D1 | Right Angle PC | A | Gold/Brass | B |
| | | DPDT | 2 | ON | NONE | ON | 23 | .740 BAT. | L1 | Black ③ | 3 | .280 Smooth | D9 ② | Vertical PC .150 Spacing | AV2 | Gold/Silver | G |
| | | | | ON | NONE | ON* | 26 | .650 BAT. | L2 | Black Nylon ④ | 4 | .350 ⑤ | Y ⑦ | PC Terminals | C | Coin/Silver | Q |
| | | | | ON* | OFF | ON* | 27 | Long Mod Cap | L3 | Red Nylon ④ | 5 | Threaded | Y9 | PC & Support | V30 | ⑧ | K |
| | | | | ON | OFF | ON* | 31 | Short Mod Cap | L4 | White Nylon ④ | 6 | .350 ⑤ | | .750 Wire Wrap | W | ⑧ | L |
| | | | | ON | ON | ON | 32 ① | .510 BAT. | S | | | | | .964 Wire Wrap | W1 | ⑧ | M |
| | | | | ON | ON | ON* | 33 ① | .300 BAT. | M | | | | | .425 Wire Wrap | W3 | | |
| | | | | ON* | ON | ON* | 35 ① | | | | | | | 1.062 Wire Wrap | W4 | | |
| | | | | | | | | | | | | | | Solder Lug | Z | | |
| | | | | | | | | | | | | | | Quick Connect | Z3 | | |

*Momentary Contact

- ① 2 Pole Only.
- ② Subtract .030 from lever length when using this bushing.
- ③ Available on S and M lever options only.
- ④ Available only with L3 and L4 lever options only.

- ⑤ Subtract .100 from lever length when using these bushings.
- ⑥ Refer to page 59 for construction detail, wiring and electrical diagrams.
- ⑦ Not available on A, AV2, V30 terminal options.
- ⑧ Same as B, G and Q respectively except terminals brass with tin nickel alloy over nickel plate. Consult plant for availability.

EXAMPLES:

WT123M1D9AB = SPDT toggle switch with an ON-NONE-ON circuit, .270" long lever (see note 2 above) with a bright chrome finish, .280" smooth bushing right angle P.C. terminals with gold/brass contacts.

WT232S1D1V30G = DPDT toggle switch with an ON-ON-ON circuit, .510" long lever with a bright chrome finish, .250" smooth bushing, P.C. terminals with support bracket and gold/silver contacts.

SPECIFICATIONS:

Contact Ratings —

Letter codes G and Q — 6 amp at 125 VAC, 3 amp @ 250 VAC (U.L. recognized, CSA certified) or 6 amp at 28 VDC resistive.

Letter codes B and G — 0.5 volt amp (VA) maximum @ 28 V maximum (AC or DC).

Life Under Load — 60,000 make-and-break cycles — resistive load only.

Initial Contact Resistance — 10 milliohms maximum 3 VDC, 100 ma for both silver and gold plated contacts.

Insulation Resistance — 1,000 megohms, min.

Dielectric Strength — 1,000 volts rms at sea level.

Operating Temperature — -30 degrees C to 85 degrees C.

MATERIALS:

Base & Bushing — Thermoplastic high temperature (UL 94V-O).

Lever (toggle) — Brass, chrome plated.

Support brackets — Brass or steel tin plated.

Switching Contacts and Rockers —

- Letter Code B — gold/nickel/brass
- Letter Code G — gold/nickel/silver
- Letter Code Q — Coin silver

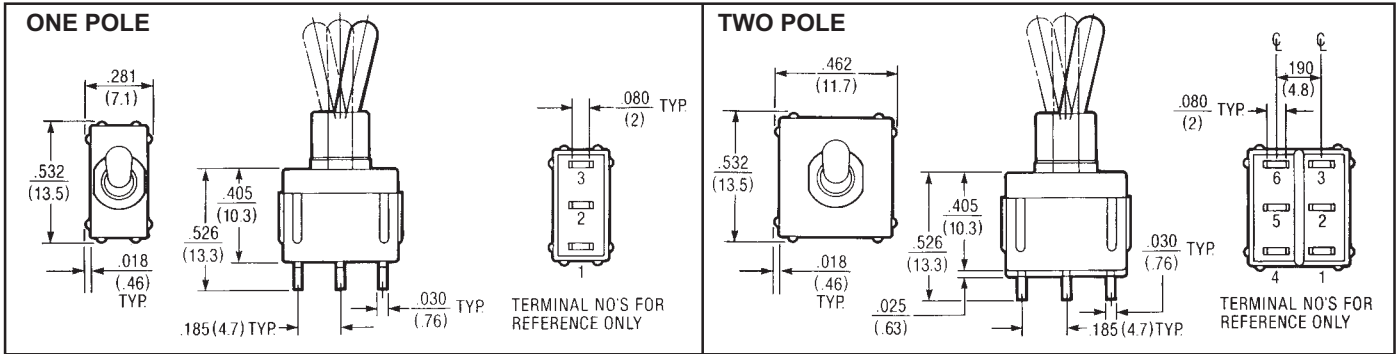
Center Terminal

- Letter Codes B and G — Gold flash/nickel/brass
- Letter Code Q — Silver plated brass.

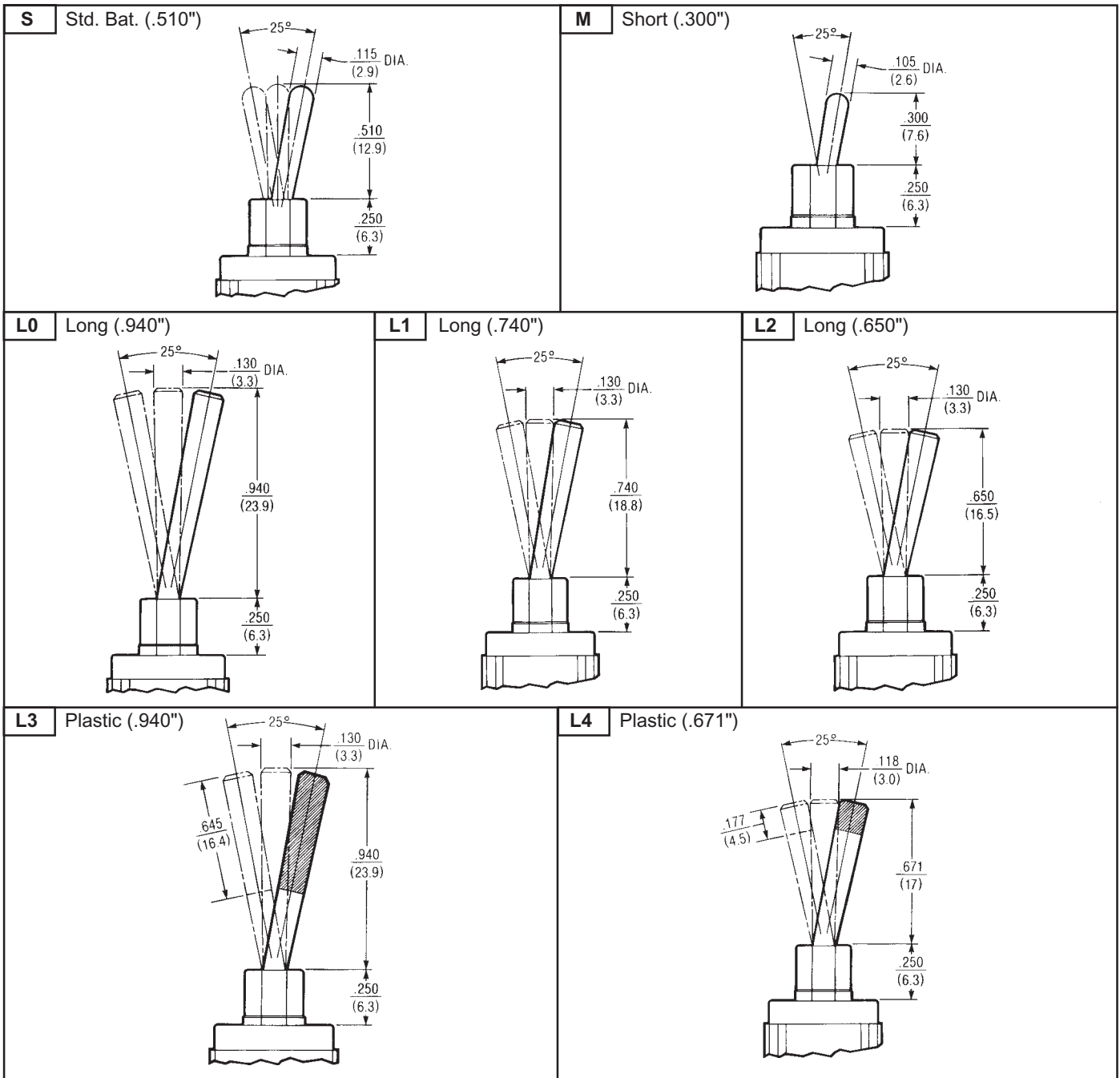
Hardware — See pages 55-57.

Washable Toggle Switches — Base Dimensions and Lever Options

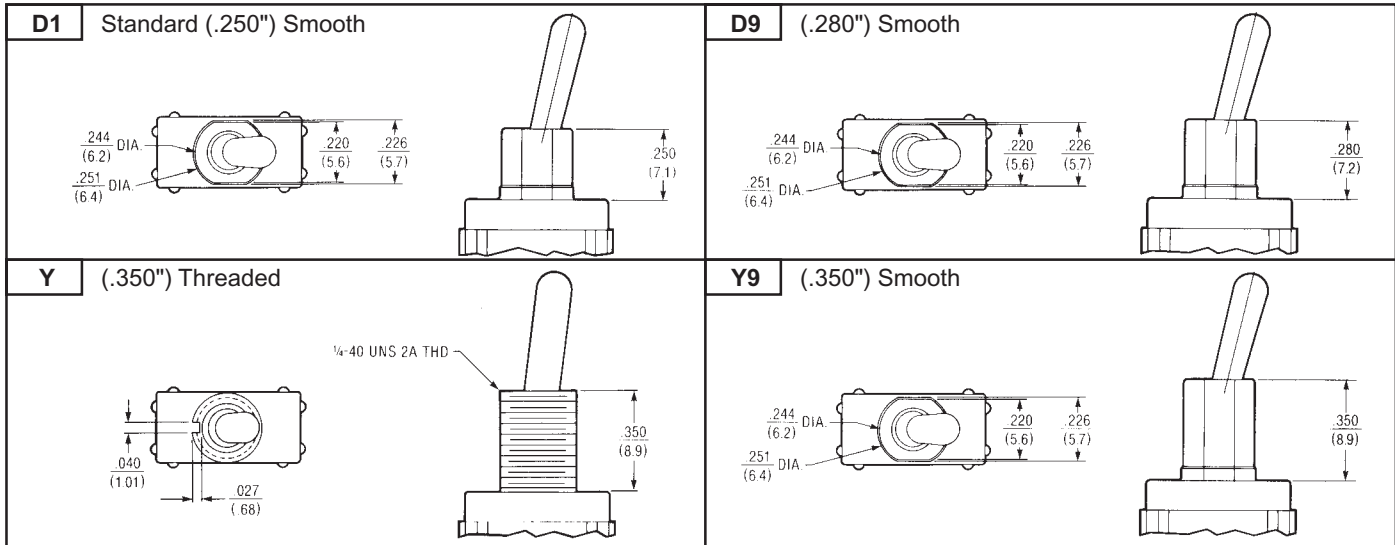
APPROXIMATE BASE DIMENSIONS



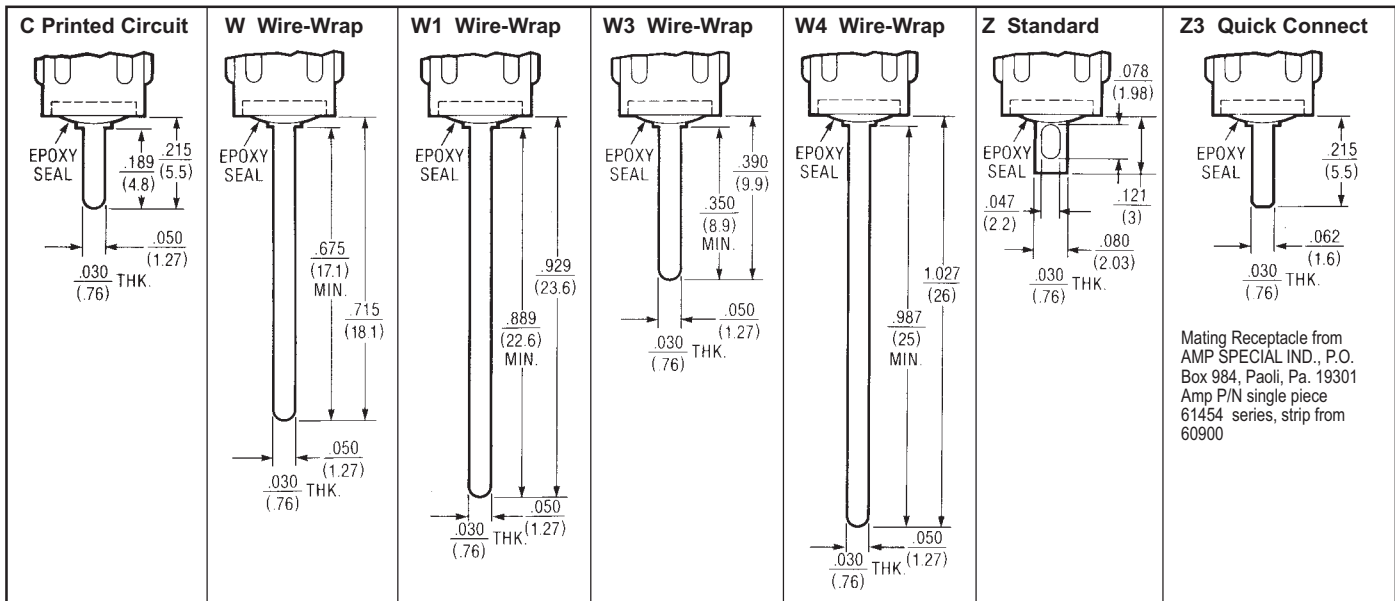
TOGGLE LEVER OPTIONS



BUSHING OPTIONS

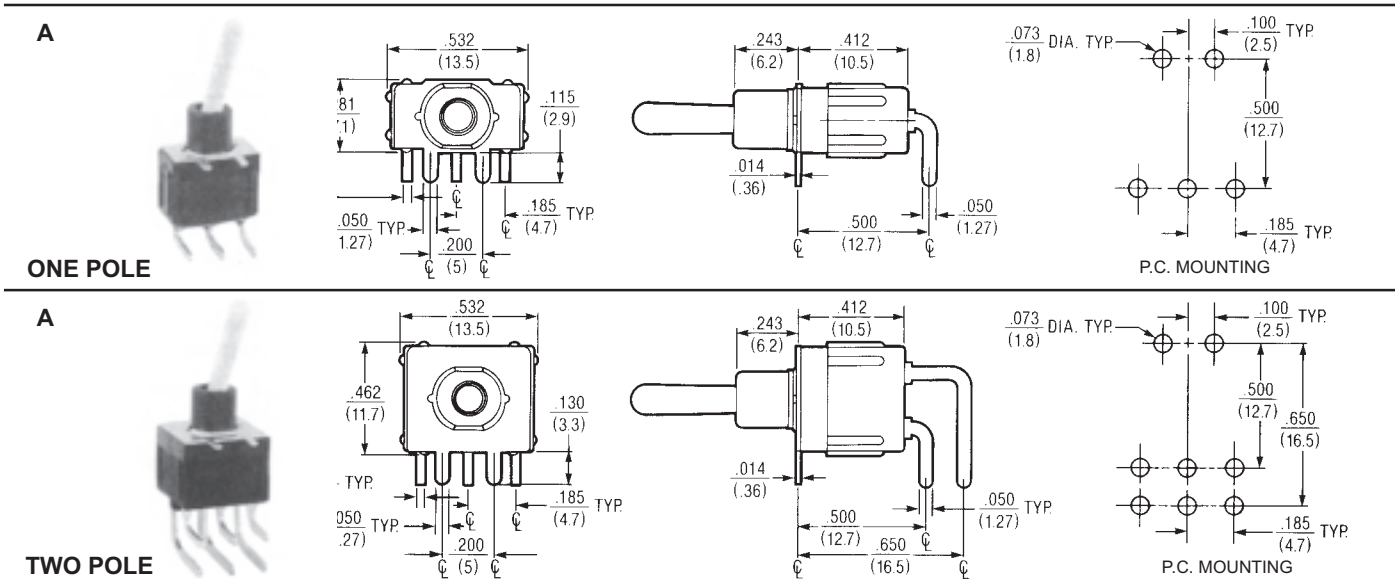


TERMINATION OPTIONS



NOTE: Wire-Wrap is a registered trademark of the Gardner-Denver Company.

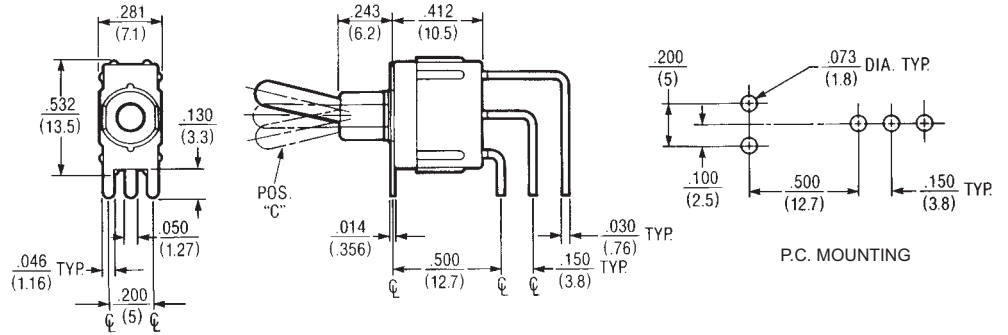
TERMINATION & MOUNTING OPTIONS



TERMINATION & MOUNTING OPTIONS — Contd.

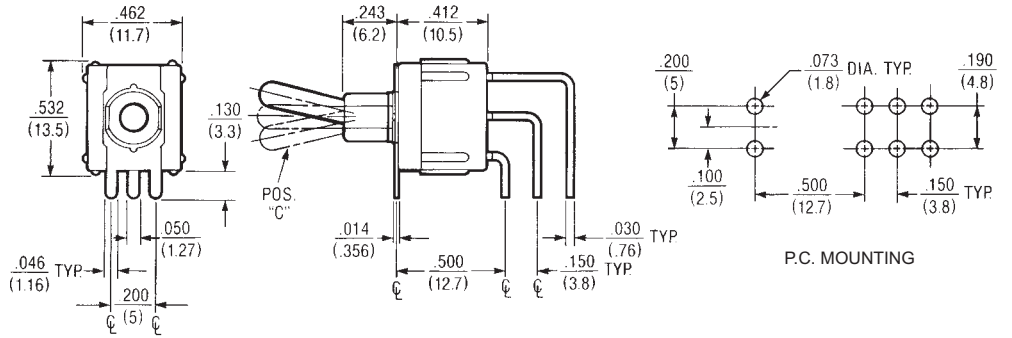
AV2

ONE POLE



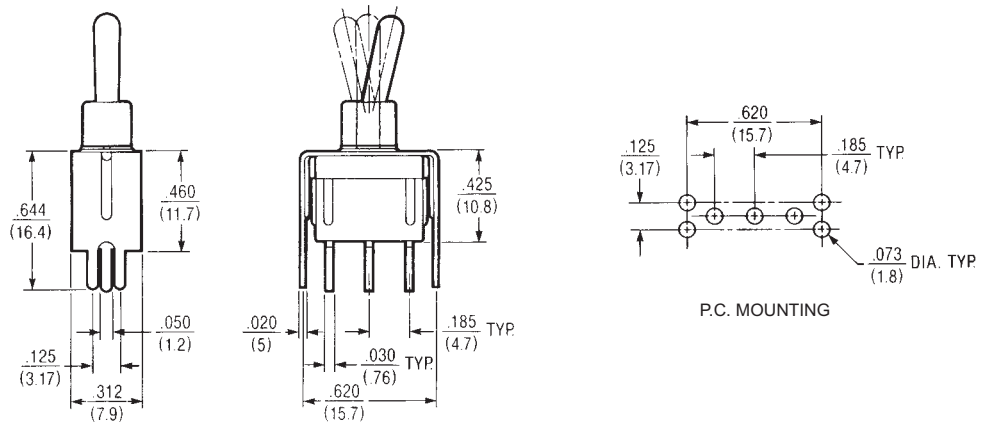
AV2

TWO POLE



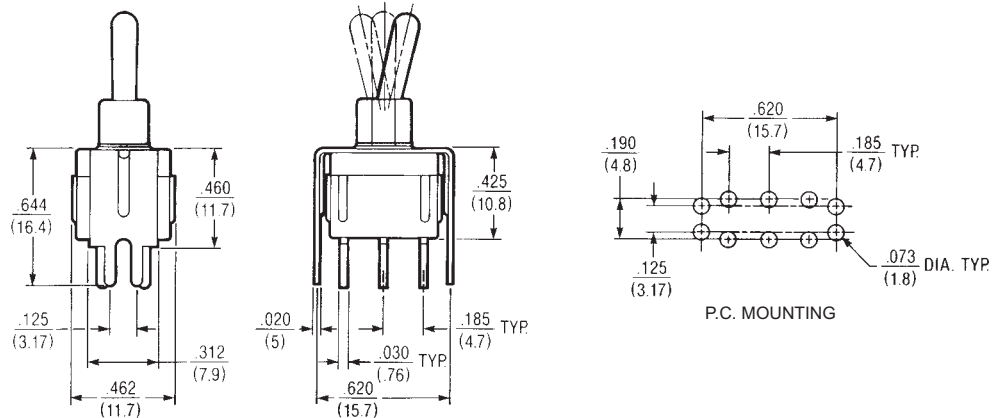
V30

ONE POLE



V30

TWO POLE



Sub-Miniature Toggle Switches for Printed Circuit Boards — Wave Solderable Series T8000 PCB Toggle Switches

SPECIFICATIONS

- Mechanical life – 500,000 operations minimum
- Contact resistance – 25 milliohms maximum
- Dielectric strength – 1000 VAC rms
- Ambient temperature range – -20°C to +70°C
- Weight – 0.06 ounces (1.7 grams)
- Electrical life – 100,000 operations minimum
- Red nylon lever supplied as standard. Various colors are available. For information consult Electros witch
- Contact material – Gold over nickel over silver over copper

CURRENT RATINGS

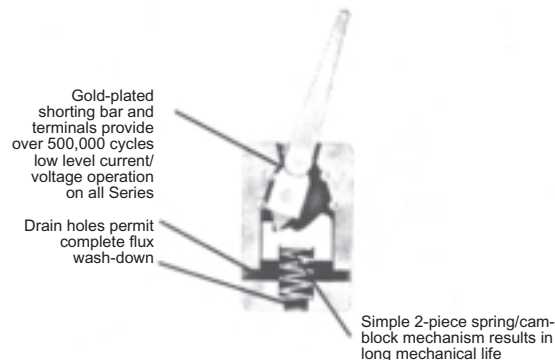
| Type | Load | Nominal Rating, Amperes | | | |
|--------------------|-----------|-------------------------|--------|--------|---------|
| | | 6V dc | 12V dc | 28V dc | 125V ac |
| T8101, T8201-T8207 | Resistive | 1 | 1 | 0.5 | 0.5 |

NOTE: For special .5 VA max. rating @ 28 VAC or DC contact Electros witch.

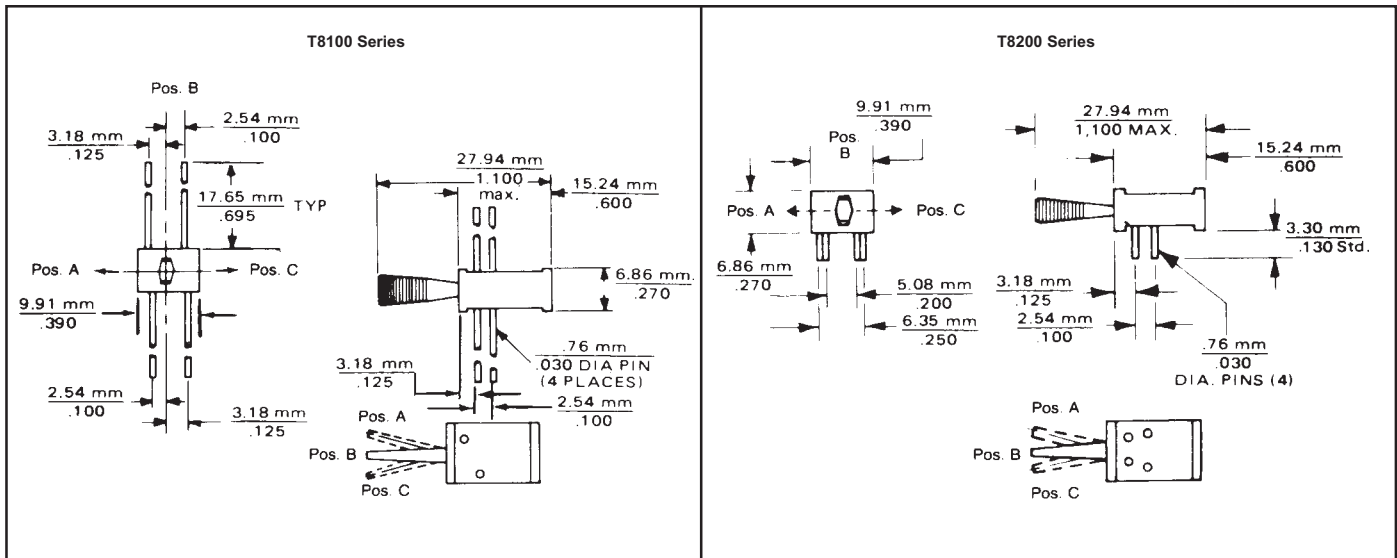
SELECTION TABLE (Bold Face Type indicates items normally in Distributor Stock)

| Circuit With Lever In ① | | | Poles & Throw | No. Of Positions | Catalog Number By Terminal Length | |
|-------------------------|------------|------------|---------------|------------------|-----------------------------------|------------------|
| Position A | Position B | Position C | | | 0.695" (17.65 mm) | 0.130" (3.30 mm) |
| ON | NONE | ON | 2 Circ. | 2 | T8101 | T8201 |
| ON | NONE | ON* | | 2 | T8102 | T8202 |
| ON* | NONE | ON | | 2 | T8103 | T8203 |
| ON | OFF | ON* | | 3 | T8104 | T8204 |
| ON* | OFF | ON | | 3 | T8105 | T8205 |
| ON | OFF | ON | | 3 | T8106 | T8206 |
| ON* | OFF | ON* | | 3 | T8107 | T8207 |

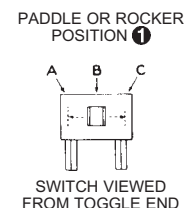
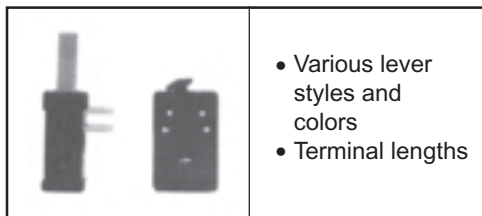
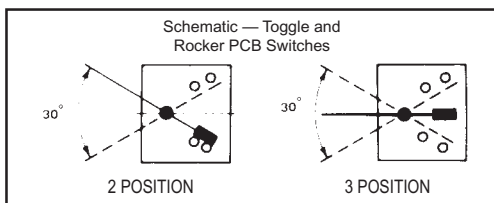
* Momentary Contact



APPROXIMATE DIMENSIONS



OPTIONS ②



② For information on optional features consult Electros witch.

CAUTION — MANUAL SWITCHES ARE AFFECTED BY HEAT, CLEANING SOLVENTS AND FLUX. EXTREME CARE SHOULD BE EXERCISED DURING HAND SOLDERING AND WAVE SOLDERING TO PREVENT SWITCH CONTAMINATION.

Commercial Miniature Toggle Switches

SPECIFICATIONS

- Originally designed to meet the requirements of MIL-S-83731 (see page 54 for Test Specifications).
- Sealed lever type with panel seal and terminal seal.
- Flatted bushing on sealed lever type.
- Solder lug or printed circuit terminals.
- Epoxy sealed terminals.
- One and two pole circuits.
- High electrical/mechanical reliability.
- Dry circuit current carrying ability.
- Toggle lever throw 25° ±5°.

MATERIAL

- Base (body)** — Diallyl Phthalate.
- Lever** — Brass, bright chrome plated.
- Bushing** — Brass, nickel plated.
Frame — Stainless steel.
- Switching Contacts and Rockers** — 50 millionths gold over silver.
- Center Terminal** — 50 millionths gold over silver.
- Hardware** — Refer to hardware listing on page 57.



CURRENT RATINGS

| Current Capacity in Amperes — Per Pole | | |
|--|--------------------|-------------------|
| 28 V DC | 115 V AC 400 Hz | 125 V AC 60 Hz |
| LAMP LOAD | | |
| 1 | 1 | 1 |
| RESISTIVE LOAD | | |
| 5 | 5 | 5 |
| INDUCTIVE LOAD | | |
| 2 | 2 | 2 |

LOGIC LEVEL

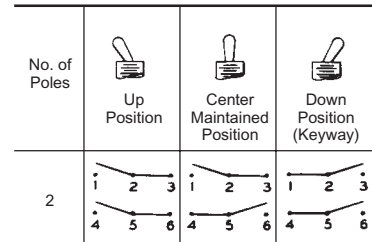
| |
|-----------------------------|
| 10 mA @ 5 V Max. (AC or DC) |
|-----------------------------|

SWITCH SELECTION TABLE — SEALED

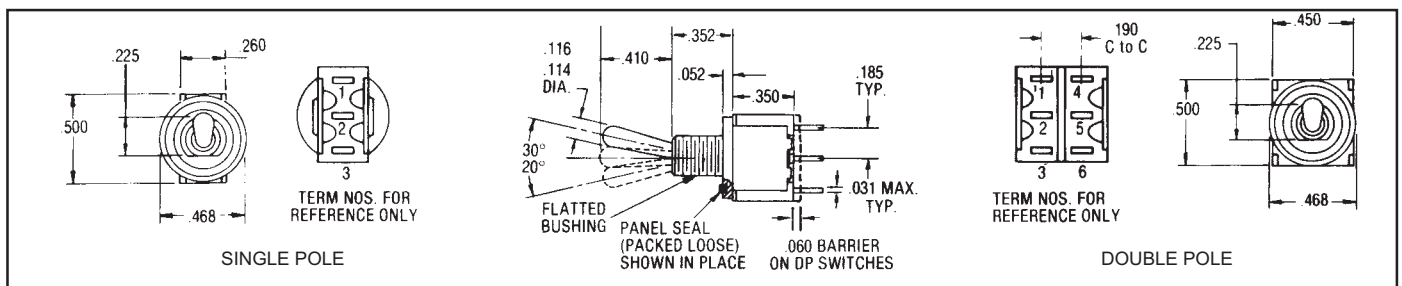
| | Circuit With Lever | | | Catalog Number | |
|--|--------------------|-----------------|----------------------|----------------------|---------------------------|
| | UP Position | CENTER Position | DOWN Position (Flat) | Solder Lug Terminals | Printed Circuit Terminals |
| ONE POLE | | | | | |
|  | ON | OFF | ON | A121S1CWZG-M8 | A121S1CWCG-M8 |
| | ON | NONE | ON | A123S1CWZG-M8 | A123S1CWCG-M8 |
| | ON | NONE | ON* | A126S1CWZG-M8 | A126S1CWCG-M8 |
| | ON* | OFF | ON* | A127S1CWZG-M8 | A127S1CWCG-M8 |
| | ON | OFF | ON* | A131S1CWZG-M8 | A131S1CWCG-M8 |
| | NONE | ON | ON* | A137S1CWZG-M8 | A137S1CWCG-M8 |
| TWO POLE | | | | | |
|  | ON | OFF | ON | A221S1CWZG-M8 | A221S1CWCG-M8 |
| | ON | NONE | ON | A223S1CWZG-M8 | A223S1CWCG-M8 |
| | ON | NONE | ON* | A226S1CWZG-M8 | A226S1CWCG-M8 |
| | ON* | OFF | ON* | A227S1CWZG-M8 | A227S1CWCG-M8 |
| | ON | OFF | ON* | A231S1CWZG-M8 | A231S1CWCG-M8 |
| | ON | ON | ON | A232S1CWZG-M8 | A232S1CWCG-M8 |
| | ON | ON | ON* | A233S1CWZG-M8 | A233S1CWCG-M8 |
| | NONE | ON | ON* | A234S1CWZG-M8 | A234S1CWCG-M8 |
| | ON* | ON | ON* | A235S1CWZG-M8 | A235S1CWCG-M8 |

* Momentary Contact

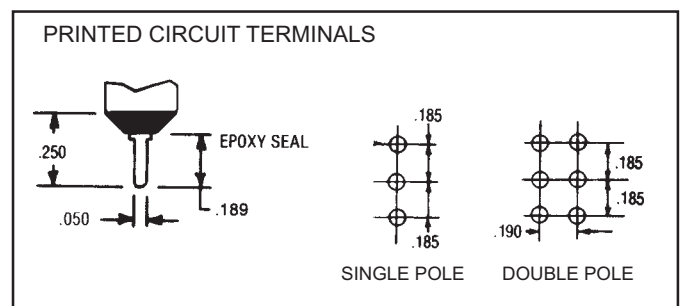
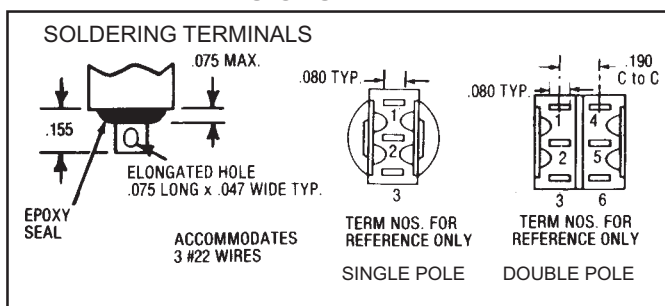
"ON-ON-ON" CIRCUIT DIAGRAM



APPROXIMATE DIMENSIONS



TERMINAL DIMENSIONS



Commercial Miniature Leverlock Toggle Switches — Unsealed

SPECIFICATIONS

- One hole mounting.
- Originally designed to meet the requirements of MIL-S-83731 (see page 54 for Test Specifications).
- Slow make, slow break contact action.
- High electrical/mechanical reliability.
- Toggle lever throw $25^\circ \pm 5^\circ$.
- Solder lug or printed circuit terminals.
- One and two pole circuits.
- Dry circuit current carrying ability.
- Mounting hardware furnished unassembled

MATERIAL

- **Base (body)** — Diallyl Phthalate.
- **Locking lever** — Brass, nickel plated.
Cap — natural anodized aluminum supplied as standard; other colors such as red, blue, gold, black and green are also available.
- **Bushing** — Brass, nickel plated.
Frame — Stainless steel.
- **Switching Contacts and Rockers** — 50 millionths gold over silver.
- **Center Terminal** — 50 millionths gold over silver.
- **Hardware** — Refer to hardware listing on page 57.


CURRENT RATINGS

| Current Capacity in Amperes — Per Pole | | |
|--|--------------------|-------------------|
| 28 V DC | 115 V AC 400 Hz | 125 V AC 60 Hz |
| LAMP LOAD | | |
| 1 | 1 | 1 |
| RESISTIVE LOAD | | |
| 5 | 5 | 5 |
| INDUCTIVE LOAD | | |
| 2 | 2 | 2 |

LOGIC LEVEL

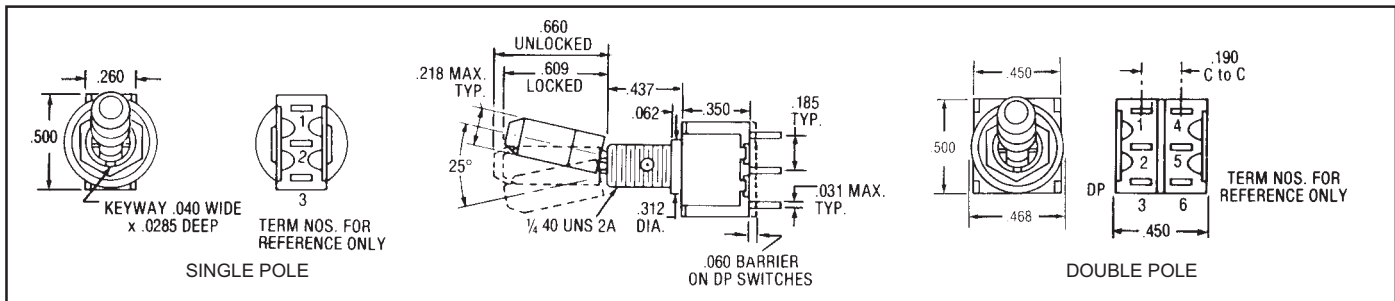
| |
|-----------------------------|
| 10 mA @ 5 V Max. (AC or DC) |
|-----------------------------|

LEVER LOCK SELECTION TABLE

| Standard Cap Style | Circuit With Lever | | | | Catalog Number | |
|--|--------------------|-----------------|------------------------|--------------------------|----------------------|---------------------------|
| | UP Position | CENTER Position | DOWN Position (Keyway) | Lever Lock Bushing Style | Solder Lug Terminals | Printed Circuit Terminals |
|  SPDT DPDT | ONE POLE | | | | | |
| | ON ▶ | ◀ OFF ▶ | ◀ ON | 1 | A121K12KZG-M8 | A121K12KCG-M8 |
| | ON ▶ | NONE | ◀ ON | 2 | A123K12KZG-M8 | A123K12KCG-M8 |
| | ON ▶ | NONE | ON* | 3 | A126K12KZG-M8 | A126K12KCG-M8 |
| | ON* | ◀ OFF ▶ | ON* | 4 | A127K12KZG-M8 | A127K12KCG-M8 |
| | ON ▶ | ◀ OFF ▶ | ON* | 5 | A131K12KZG-M8 | A131K12KCG-M8 |
| | TWO POLE | | | | | |
| | ON ▶ | ◀ OFF ▶ | ◀ ON | 1 | A221K12KZG-M8 | A221K12KCG-M8 |
| | ON ▶ | NONE | ◀ ON | 2 | A223K12KZG-M8 | A223K12KCG-M8 |
| | ON ▶ | NONE | ON* | 3 | A226K12KZG-M8 | A226K12KCG-M8 |
| ON* | ◀ OFF ▶ | ON* | 4 | A227K12KZG-M8 | A227K12KCG-M8 | |
| ON ▶ | ◀ OFF ▶ | ON* | 5 | A231K12KZG-M8 | A231K12KCG-M8 | |
| ON ▶ | ◀ ON ▶ | ◀ ON | 1 | A232K12KZG-M8 | A232K12KCG-M8 | |

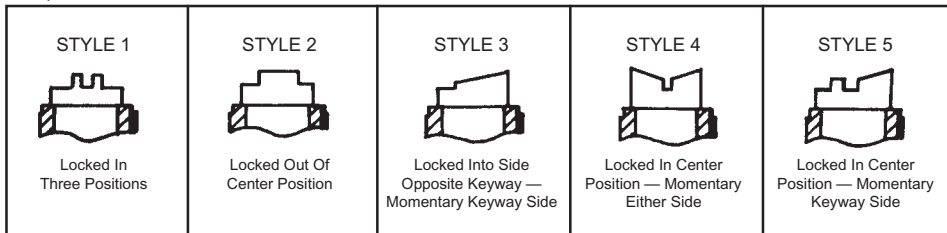
* Momentary Contact
▶ Indicates direction against which lever is locked.

APPROXIMATE DIMENSIONS (For terminal dimensions see page 49)

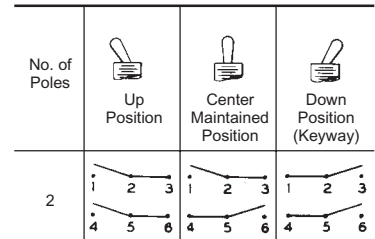


LEVER LOCK BUSHING STYLES

(The descriptive illustrations below are for pictorial representation only — keyway on right hand side)



"ON-ON-ON" CIRCUIT DIAGRAM



**Commercial Miniature Toggle Switches
Right Angle Mount (Vertical) P.C. Terminals**

SPECIFICATIONS

- Originally designed to meet the requirements of MIL-S-83731 (see page 54 for Test Specifications).
- Sealed lever type with panel seal and terminal seal.
- Right angle mount (vertical) printed circuit terminals.
- Epoxy sealed printed circuit terminals.
- One and two pole circuits.
- High electrical/mechanical reliability.
- Dry circuit current carrying ability.
- Toggle lever throw 25° ±5°.

MATERIAL

- **Base (body)** — Diallyl Phthalate.
- **Lever** — Brass, bright chrome plated.
- **Bushing** — Brass, nickel plated.
Frame — Stainless steel.
- **Switching Contacts and Rockers** — 50 millionths gold over silver.
- **Center Terminal** — 50 millionths gold over silver.
- **Hardware** — None required.



CURRENT RATINGS

| Current Capacity in Amperes — Per Pole | | |
|--|--------------------|-------------------|
| 28 V DC | 115 V AC 400 Hz | 125 V AC 60 Hz |
| LAMP LOAD | | |
| 1 | 1 | 1 |
| RESISTIVE LOAD | | |
| 5 | 5 | 5 |
| INDUCTIVE LOAD | | |
| 2 | 2 | 2 |

LOGIC LEVEL

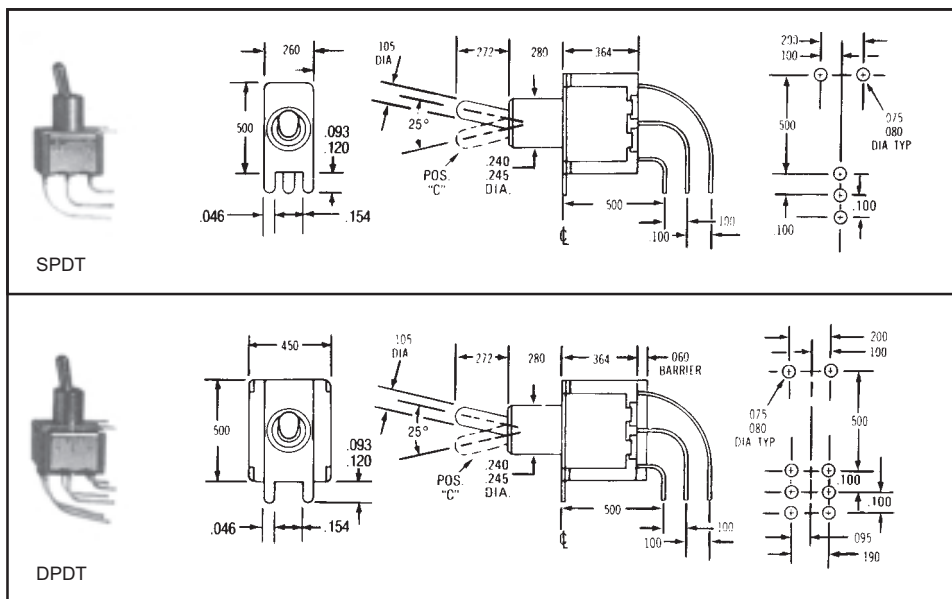
| |
|-----------------------------|
| 10 mA @ 5 V Max. (AC or DC) |
|-----------------------------|

SWITCH SELECTION TABLE — SEALED

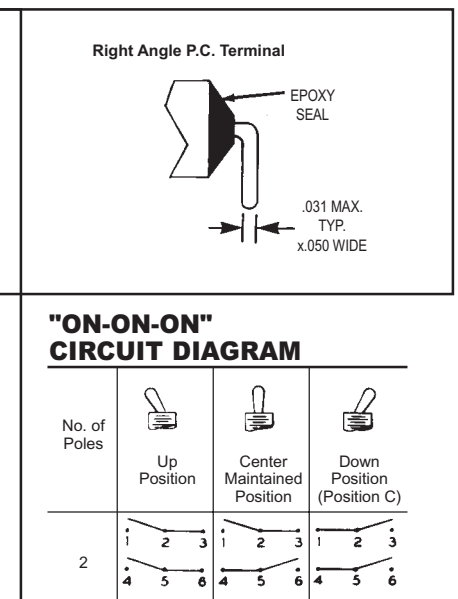
| | Circuit With Lever In... | | | Catalog Number |
|--|--------------------------|-----------------|----------------------------|----------------|
| | UP Position | CENTER Position | DOWN Position (Position C) | |
|  SPDT | ONE POLE | | | |
| | ON | OFF | ON | A121M1D9AVG-M8 |
| | ON | NONE | ON | A123M1D9AVG-M8 |
| | ON | NONE | ON* | A126M1D9AVG-M8 |
| | ON* | OFF | ON* | A127M1D9AVG-M8 |
| | ON | OFF | ON* | A131M1D9AVG-M8 |
| | NONE | ON | ON* | A134M1D9AVG-M8 |
|  DPDT | TWO POLE | | | |
| | ON | OFF | ON | A221M1D9AVG-M8 |
| | ON | NONE | ON | A223M1D9AVG-M8 |
| | ON | NONE | ON* | A226M1D9AVG-M8 |
| | ON* | OFF | ON* | A227M1D9AVG-M8 |
| | ON | OFF | ON* | A231M1D9AVG-M8 |
| | ON | ON | ON | A232M1D9AVG-M8 |
| | ON | ON | ON* | A233M1D9AVG-M8 |
| | NONE | ON | ON* | A234M1D9AVG-M8 |
| | ON* | ON | ON* | A235M1D9AVG-M8 |

* Momentary Contact

APPROXIMATE DIMENSIONS



TERMINAL DIMENSIONS



**Commercial Miniature Toggle Switches
Right Angle Mount (Horizontal) P.C. Terminals**

SPECIFICATIONS

- Originally designed to meet the requirements of MIL-S-83731 (see page 54 for Test Specifications).
- Sealed lever type with terminal seal.
- Right angle mount (horizontal) printed circuit terminals.
- Epoxy sealed printed circuit terminals.
- One and two pole circuits.
- High electrical/mechanical reliability.
- Dry circuit current carrying ability.
- Toggle lever throw $25^\circ \pm 5^\circ$.

MATERIAL

- Base (body)** — Diallyl Phthalate.
- Lever** — Brass, bright chrome plated.
- Bushing** — Brass, nickel plated.
Frame — Stainless steel.
- Switching Contacts and Rockers** — 50 millionths gold over silver.
- Center Terminal** — 50 millionths gold over silver.
- Hardware** — None required.



CURRENT RATINGS

| Current Capacity in Amperes — Per Pole | | |
|--|--------------------|-------------------|
| 28 V DC | 115 V AC 400 Hz | 125 V AC 60 Hz |
| LAMP LOAD | | |
| 1 | 1 | 1 |
| RESISTIVE LOAD | | |
| 5 | 5 | 5 |
| INDUCTIVE LOAD | | |
| 2 | 2 | 2 |

LOGIC LEVEL

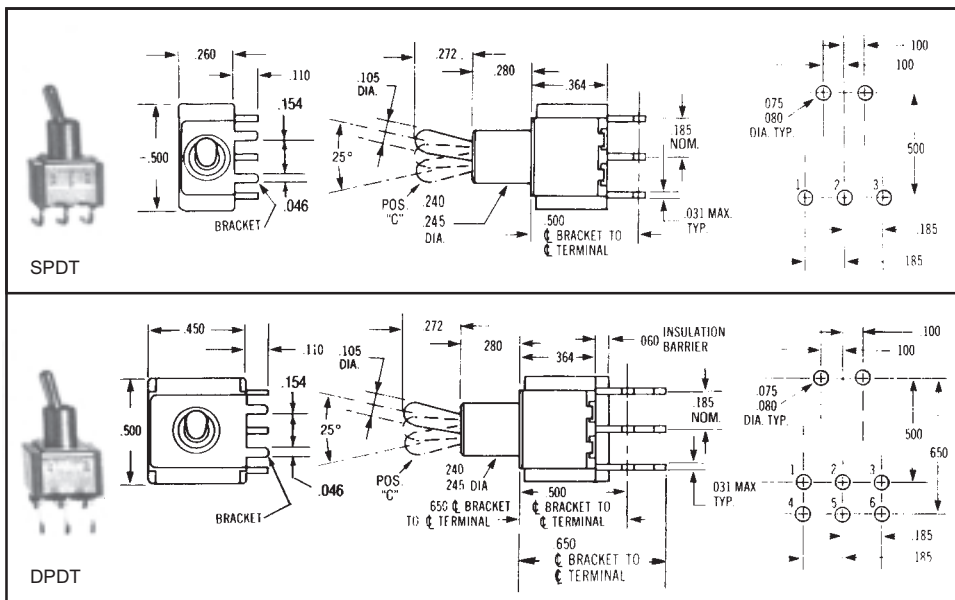
10 mA @ 5 V Max. (AC or DC)

SWITCH SELECTION TABLE — SEALED

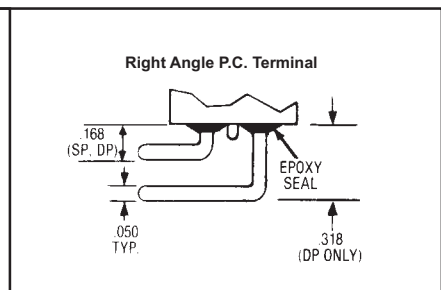
| | Circuit With Lever In... | | | Catalog Number |
|--|--------------------------|-----------------|----------------------------|----------------|
| | UP Position | CENTER Position | DOWN Position (Position C) | |
|  SPDT | ON | OFF | ON | A121M1D9AG-M8 |
| | ON | NONE | ON | A123M1D9AG-M8 |
| | ON | NONE | ON* | A126M1D9AG-M8 |
| | ON* | OFF | ON* | A127M1D9AG-M8 |
| | ON | OFF | ON* | A131M1D9AG-M8 |
| | NONE | ON | ON* | A134M1D9AG-M8 |
|  DPDT | ON | OFF | ON | A221M1D9AG-M8 |
| | ON | NONE | ON | A223M1D9AG-M8 |
| | ON | NONE | ON* | A226M1D9AG-M8 |
| | ON* | OFF | ON* | A227M1D9AG-M8 |
| | ON | OFF | ON* | A231M1D9AG-M8 |
| | ON | ON | ON | A232M1D9AG-M8 |
| | ON | ON | ON* | A233M1D9AG-M8 |
| | NONE | ON | ON* | A234M1D9AG-M8 |
| | ON* | ON | ON* | A235M1D9AG-M8 |

* Momentary Contact

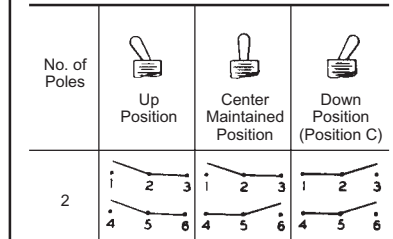
APPROXIMATE DIMENSIONS



TERMINAL DIMENSIONS



"ON-ON-ON" CIRCUIT DIAGRAM



Commercial Miniature Toggle Switches – New Four Pole

SPECIFICATIONS

- Originally designed to meet the requirements of MIL-S-83731 (see page 54 for Test Specifications).
- Sealed lever type with panel seal and terminal seal.
- Flatted bushing on sealed lever type.
- Solder lug or printed circuit terminals.
- Epoxy sealed terminals.
- One and two pole circuits.
- High electrical/mechanical reliability.
- Dry circuit current carrying ability.
- Toggle lever throw 25° ±5°.

MATERIAL

- **Base (body)** — Diallyl Phthalate.
- **Lever** — Brass, bright chrome plated.
- **Locking Lever** — Brass, nickel plated.
Cap — natural anodized aluminum supplied as standard; other colors such as red, blue, gold, black and green are also available.
- **Bushing** — Brass, nickel plated.
Frame — Stainless steel.
- **Switching Contacts and Rockers** — 50 millionths gold over silver.
- **Center Terminal** — 50 millionths gold over silver.
- **Hardware** — Refer to hardware listing on page 57.


CURRENT RATINGS

| Current Capacity in Amperes — Per Pole | | |
|--|-----------------|----------------|
| 28 V DC | 115 V AC 400 Hz | 125 V AC 60 Hz |
| LAMP LOAD | | |
| 1 | 1 | 1 |
| RESISTIVE LOAD | | |
| 5 | 5 | 5 |
| INDUCTIVE LOAD | | |
| 2 | 2 | 2 |

LOGIC LEVEL


| |
|-----------------------------|
| 10 mA @ 5 V Max. (AC or DC) |
|-----------------------------|

SWITCH SELECTION TABLE — SEALED

| | Circuit With Lever In... | | | Catalog Number | |
|--|--------------------------|-----------------|----------------------|----------------------|---------------------------|
| | UP Position | CENTER Position | DOWN Position (Flat) | Solder Lug Terminals | Printed Circuit Terminals |
|  4-PDT | ON | OFF | ON | A421S1CWZG-M8 | A421S1CWCG-M8 |
| | ON | NONE | ON | A423S1CWZG-M8 | A423S1CWCG-M8 |
| | ON | NONE | ON* | A426S1CWZG-M8 | A426S1CWCG-M8 |
| | ON* | OFF | ON* | A427S1CWZG-M8 | A427S1CWCG-M8 |
| | ON | OFF | ON* | A431S1CWZG-M8 | A431S1CWCG-M8 |
| | ON | ON | ON | A432S1CWZG-M8 | A432S1CWCG-M8 |
| | ON | ON | ON* | A433S1CWZG-M8 | A433S1CWCG-M8 |
| | NONE | ON | ON* | A434S1CWZG-M8 | A434S1CWCG-M8 |
| | ON* | ON | ON* | A435S1CWZG-M8 | A435S1CWCG-M8 |

* Momentary Contact

LEVER LOCK SELECTION TABLE — UNSEALED

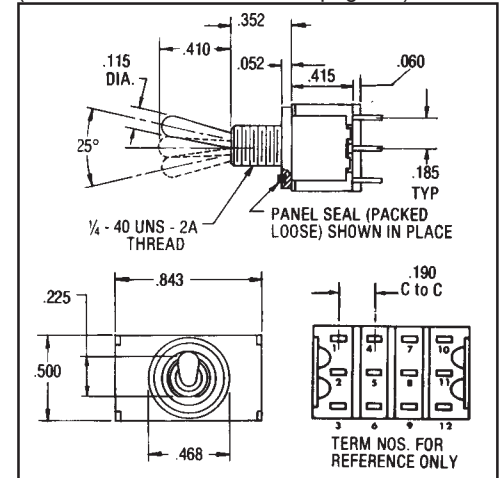
| Standard Cap Style | Circuit With Lever In... | | | Lever Lock Bushing Style | Catalog Number | |
|--|--------------------------|-----------------|------------------------|--------------------------|----------------------|---------------------------|
| | UP Position | CENTER Position | DOWN Position (Keyway) | | Solder Lug Terminals | Printed Circuit Terminals |
|  FOUR POLE | ON ► | ◄ OFF ► | ◄ ON | 1 | A421K12KZG-M8 | A421K12KCG-M8 |
| | ON ► | NONE | ◄ ON | 2 | A423K12KZG-M8 | A423K12KCG-M8 |
| | ON ► | NONE | ON* | 3 | A426K12KZG-M8 | A426K12KCG-M8 |
| | ON* | ◄ OFF ► | ON* | 4 | A427K12KZG-M8 | A427K12KCG-M8 |
| | ON ► | ◄ OFF ► | ON* | 5 | A431K12KZG-M8 | A431K12KCG-M8 |
| | ON ► | ◄ ON ► | ◄ ON | 1 | A432K12KZG-M8 | A432K12KCG-M8 |

* Momentary Contact

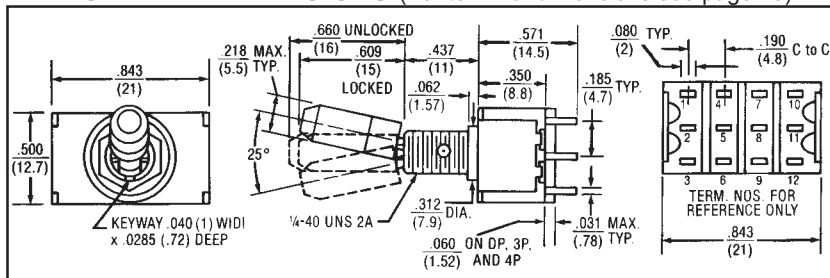
► Indicates direction against which lever is locked.

APPROXIMATE DIMENSIONS

(For terminal dimensions see page 49)

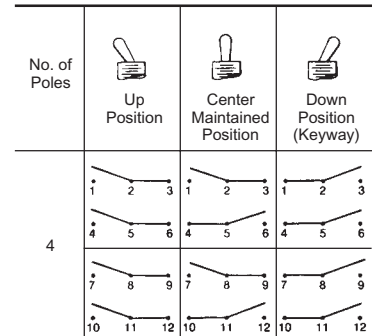


APPROXIMATE DIMENSIONS (For terminal dimensions see page 49)



"ON-ON-ON"

CIRCUIT DIAGRAM



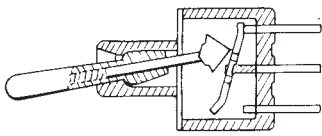
NOTE: FOR LEVER LOCK BUSHING STYLES SEE PAGE 50.

Rating, Cross Reference and Engineering Data
**“A” Series Originally Designed To Meet
the Following MIL Specifications**

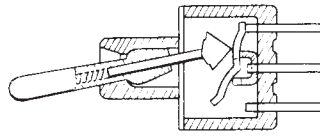
| Test Requirement | MIL Specification |
|--|--|
| 1. Strength of Terminal | 1 lb. — solder lug |
| 2. Strength of Actuating Lever Pivot and Stop | 10 lbs. & 8 lbs. throughout range |
| 3. Strength of Mounting Means | 15 lbs. in. torque on bushing |
| 4. Dielectric (Sea Level) Indication Dielectric (Altitude) | 1000 VAC Group C 750 VAC after electrical endurance. 500 μ A max. leakage |
| 5. Contact Voltage Drop | 2.5 millivolt initial 5.0 millivolt after mechanical endurance @ 2-6 VDC 0.1 amp. |
| 6. Temperature Rise | 50°C rise @ rated resistance after endurance test current |
| 7. Short Circuit | 10 operations make and carry 100 amps resistive load @ lowest DC volts |
| 8. Mechanical Life | 20K operations at specified high and low temperatures |
| 9. Electrical Endurance | 10K operations at specified high and low temperatures |
| 10. Overload | 50 operations @ 150% of rated resistive load |
| 11. A) Electrical Endurance at Altitude | No requirement |
| B) Electrical Endurance at Sea Level | 10K operations resistive load @ room temperature 10K operations inductive load @ room temperature 10K operations lamp load @ room temperature Performed on different test samples |
| 12. Vibration | Method 204 of MIL-STD-202, test condition A .06 D.A. or 10 G's 10-500 Hz 10 usec. max. chatter |
| 13. Shock | Fuse-method 213 or MIL-STD @75 G's 10 usec. max, chatter |
| 14. Salt Spray Test Upon Completion | 48 hours — method 101 of MIL-STD-202, test condition B 10 operations resistive load (toggle sealed switches only) |
| 15. Moisture Resistance Test Upon Completion | Method 106 of MIL-STD-202 100 VDC potential between current carrying parts and panel |
| 16. Sand & Dust | Method 110 of MIL-STD-202, test condition B 6 hours @ 23°C 2.5K operations mechanical life (toggle sealed switches only) |
| 17. Explosion | MIL-STD-202 method 109, maximum rated DC inductive load (toggle sealed switches only) |
| 18. Sealing | Toggle seal — 5 operations under 0.5 inches of H ₂ O above top of bushing |
| 19. A) Toggle Seal B) Bushing Seal | No requirement |
| 20. Temperature Operation | Mechanical life, -25°C to +71°C |
| 21. Life Low Cur. Level | No requirement |
| 22. Fungus | No requirement |
| 23. Intermediate Current | 10K operations, 50 milliamps @ 10 VDC resistive load @ 20,000 feet altitude @ room temperature |
| 24. Thermal Shock | Method 107 of MIL-STD-202 test condition A 5 cycles @ -55°C/+85°C |

Construction Detail Wiring and Electrical Diagrams for Standard Miniature Switches

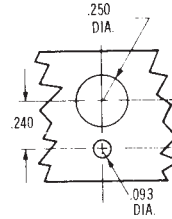
CONSTRUCTION DETAIL



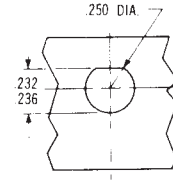
2 POSITION on-none-on



3 POSITION on-off-on

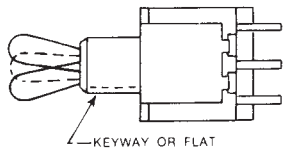


For 1/4" Bushing and Standard Locking Ring

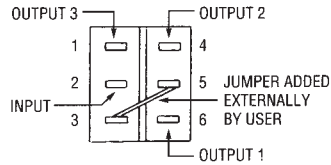


For 1/4" Flatted Bushing

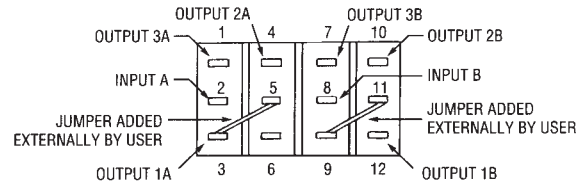
WIRING FOR 3 POSITION CONVERSION



KEYWAY OR FLAT



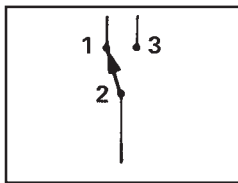
Single Pole Using Double Pole Switch
(For 232, 233 and 235 Circuits)



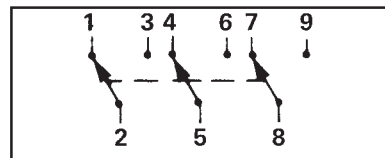
Double Pole Using Four Pole Switch
(For 432, 433 and 435 Circuits)

| | | |
|---------------------------------|----------|---------------|
| TOGGLE UP | Output 1 | Output 1A, 1B |
| TOGGLE CENTER | Output 2 | Output 2A, 2B |
| TOGGLE DOWN (Keyway or Flat) | Output 3 | Output 3A, 3B |

ELECTRICAL DIAGRAMS

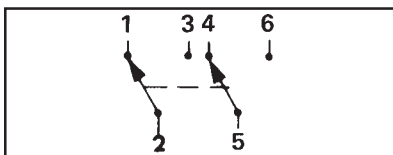


SP



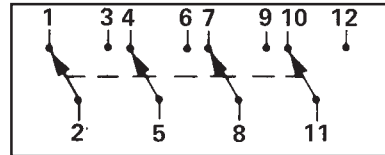
3-P

ALL EXCEPT 232, 233, 235 **Note A**



DP

ALL EXCEPT 432, 433, 435 **Note B**



3-P

NOTES

| NOTE A: Circuitry | LEVER LEFT | CENTER | RIGHT (KEYWAY) | NOTE B: Circuitry | LEVER LEFT | CENTER | RIGHT (KEYWAY) |
|----------------------|-------------------|------------------|-------------------|----------------------|-----------------------------|----------------------------|-----------------------------|
| 232 | On 2-3 5-6 | On 2-3 4-5 | On 1-2 4-5 | 432 | On 2-3-8-9 5-6-11-12 | On 2-3-8-9 4-5-10-11 | On 1-2-7-8 4-5-10-11 |
| 233 | On 2-3 5-6 | On 2-3 4-5 | On* 1-2 4-5 | 433 | On 2-3-8-9 5-6-11-12 | On 2-3-8-9 4-5-10-11 | On* 1-2-7-8 4-5-10-11 |
| 235 | On* 2-3 5-6 | On 2-3 4-5 | On* 1-2 4-5 | 435 | On* 2-3-8-9 5-6-11-12 | On 2-3-8-9 4-5-10-11 | On* 1-2-7-8 4-5-10-11 |

Other configurations available on special order.

Circuit Diagrams for Washable Miniature Switches

| CIRCUIT CODE | SWITCHING FUNCTION | | | Single Pole |
|-----------------------------|--------------------|---------------------------|----------------|--------------------|
| | POS 1 | POS 2 | POS 3 | |
| | KEYWAY "Y" OPTION | | | |
| | | | | |
| | STAMPING THIS SIDE | | | |
| SINGLE POLE | | | | Double Pole |
| 121 | ON | OFF | ON | |
| 123 | ON | NONE | ON | |
| 126 | ON | NONE | MOM | |
| 127 | MOM | OFF | MOM | |
| 131 | ON | OFF | MOM | |
| TERMINAL CONNECTIONS | 2 - 3 | OPEN | 2 - 1 | |
| DOUBLE POLE | | | | |
| 221 | ON | OFF | ON | |
| 223 | ON | NONE | ON | |
| 226 | ON | NONE | MOM | |
| 227 | MOM | OFF | MOM | |
| 231 | ON | OFF | MOM | |
| TERMINAL CONNECTIONS | 2 - 3 5 - 6 | OPEN | 2 - 1 5 - 4 | |
| SP3T | | | | SP3T |
| 232 | ON | ON | ON | |
| 233 | ON | ON | MOM | |
| 235 | MOM | ON | MOM | |
| TERMINAL CONNECTIONS | 2 - 3 5 - 6 | 2 - 3 5 - 4 | 2 - 1 5 - 4 | |
| Schematics: | | | | |
| S.P. | | D.P. | | |
| | | | | |
| STAMPING ON TOP | | STAMPING ON OPPOSITE SIDE | | |
| | | | | |
| A TERMINALS | | AV2 TERMINALS | | |
| | | | | |

CrossReference
FORMER EATON (JBT) PART NUMBER TO ELECTROSWITCH PART NUMBER*

| Former Eaton Part No. | Electroswitch Part No. | Former Eaton Part No. | Electroswitch Part No. | Former Eaton Part No. | Electroswitch Part No. | Former Eaton Part No. | Electroswitch Part No. |
|-----------------------|------------------------|-----------------------|------------------------|-----------------------|------------------------|-----------------------|------------------------|
| FH-121 | A121P32YZQ | LFH-227 | A227P32Y5ZQ | MP2-235 | B235J21ZQ22M | MP7-127 | B127J60ZQ2 |
| 123 | A123P32YZQ | 231 | A231P32Y5ZQ | 321 | B321J21ZQ22M | 131 | B131J60ZQ2 |
| 126 | A126P32YZQ | 232 | A232P32Y5ZQ | 323 | B323J21ZQ22M | 221 | B221J60ZQ2 |
| 127 | A127P32YZQ | 233 | A233P32Y5ZQ | 327 | B327J21ZQ22M | 223 | B223J60ZQ2 |
| 131 | A131P32YZQ | 234 | A234P32Y5ZQ | 331 | B331J21ZQ22M | 226 | B226J60ZQ2 |
| FH-134 | A134P32YZQ | LFH-235 | A235P32Y5ZQ | MP2-421 | B421J21ZQ22M | MP7-227 | B237J60ZQ2 |
| 221 | A221P32YZQ | 321 | A321P32Y5ZQ | 423 | B423J21ZQ22M | 231 | B231J60ZQ2 |
| 223 | A223P32YZQ | 323 | A323P32Y5ZQ | 427 | B427J21ZQ22M | 232 | B232J60ZQ2 |
| 226 | A226P32YZQ | 327 | A327P32Y5ZQ | 431 | B431J21ZQ22M | 233 | B233J60ZQ2 |
| 227 | A227P32YZQ | 331 | A331P32Y5ZQ | 432 | B432J21ZQ22M | 235 | B235J60ZQ2 |
| FH-231 | A231P32YZQ | LFH-334 | A334P32Y5ZQ | MP2-433 | B433J21ZQ22M | MPC-121 | A121S1YQC |
| 232 | A232P32YZQ | 421 | A421P32Y5ZQ | 435 | B435J21ZQ22M | 123 | A123S1YQC |
| 233 | A233P32YZQ | 423 | A423P32Y5ZQ | MP4-121 | B121J5ZQ2 | 126 | A126S1YQC |
| 234 | A234P32YZQ | 427 | A427P32Y5ZQ | 123 | B123J5ZQ2 | 127 | A127S1YQC |
| 235 | A235P32YZQ | 431 | A431P32Y5ZQ | 126 | B126J5ZQ2 | 131 | A131S1YQC |
| FH-321 | A321P32YZQ | LFH-432 | A432P32Y5ZQ | MP4-127 | B127J5ZQ2 | MPC-134 | A134S1YQC |
| 323 | A323P32YZQ | 433 | A433P32Y5ZQ | 131 | B131J5ZQ2 | 221 | A221S1YQC |
| 327 | A327P32YZQ | 434 | A434P32Y5ZQ | 221 | B221J5ZQ2 | 223 | A223S1YQC |
| 331 | A331P32YZQ | 435 | A435P32Y5ZQ | 223 | B223J5ZQ2 | 226 | A226S1YQC |
| 334 | A334P32YZQ | LL-121 | A121K12KZQ | 226 | B226J5ZQ2 | 227 | A227S1YQC |
| FH-421 | A421P32YZQ | LL-123 | A123K12KZQ | MP4-227 | B227J5ZQ2 | MPC-231 | A231S1YQC |
| 423 | A423P32YZQ | 221 | A221K12KZQ | 231 | B231J5ZQ2 | 232 | A232S1YQC |
| 427 | A427P32YZQ | 223 | A223K12KZQ | 232 | B232J5ZQ2 | 233 | A233S1YQC |
| 431 | A431P32YZQ | 232 | A232K12KZQ | 233 | B233J5ZQ2 | 234 | A234S1YQC |
| 432 | A432P32YZQ | 321 | A321K12KZQ | 235 | B235J5ZQ2 | 235 | A235S1YQC |
| FH-433 | A433P32YZQ | LL-323 | A323K12KZQ | MP4-321 | B321J5ZQ2 | MPC-321 | A321S1YQC |
| 434 | A434P32YZQ | 421 | A421K12KZQ | 323 | B323J5ZQ2 | 323 | A323S1YQC |
| 435 | A435P32YZQ | 423 | A423K12KZQ | 327 | B327J5ZQ2 | 327 | A327S1YQC |
| JMT-121 | A121S1YZQ | 432 | A432K12KZQ | 331 | B331J5ZQ2 | 331 | A331S1YQC |
| 123 | A123S1YZQ | MP1-121 | B121J2ZQ2 | 421 | B421J5ZQ2 | 334 | A334S1YQC |
| JMT-126 | A126S1YZQ | MP1-123 | B123J2ZQ2 | MP4-423 | B423J5ZQ2 | MPC-421 | A421S1YQC |
| 127 | A127S1YZQ | 126 | B126J2ZQ2 | 427 | B427J5ZQ2 | 423 | A423S1YQC |
| 131 | A131S1YZQ | 127 | B127J2ZQ2 | 431 | B431J5ZQ2 | 427 | A427S1YQC |
| 134 | A134S1YZQ | 131 | B131J2ZQ2 | 432 | B432J5ZQ2 | 431 | A431S1YQC |
| 221 | A221S1YZQ | 221 | B221J2ZQ2 | 433 | B433J5ZQ2 | 432 | A432S1YQC |
| JMT-223 | A223S1YZQ | MP1-223 | B223J2ZQ2 | MP4-435 | B435J5ZQ2 | MPC-433 | A433S1YQC |
| 226 | A226S1YZQ | 226 | B226J2ZQ2 | MPS-121 | B121J72V3B2 | 434 | A434S1YQC |
| 227 | A227S1YZQ | 227 | B227J2ZQ2 | 123 | B123J72V3B2 | 435 | A435S1YQC |
| 231 | A231S1YZQ | 231 | B231J2ZQ2 | 126 | B126J72V3B2 | MR1-121 | B121J1ZQ2 |
| 232 | A232S1YZQ | 232 | B232J2ZQ2 | 127 | B127J72V3B2 | 123 | B123J1ZQ2 |
| JMT-233 | A233S1YZQ | MP1-233 | B233J2ZQ2 | MP5-131 | B131J72V3B2 | MB1-126 | B126J1ZQ2 |
| 234 | A234S1YZQ | 235 | B235J2ZQ2 | 221 | B221J72V3B2 | 127 | B127J1ZQ2 |
| 235 | A235S1YZQ | 321 | B321J2ZQ2 | 223 | B223J72V3B2 | 131 | B131J1ZQ2 |
| 321 | A321S1YZQ | 323 | B323J2ZQ2 | 226 | B226J72V3B2 | 221 | B221J1ZQ2 |
| 323 | A323S1YZQ | 327 | B327J2ZQ2 | 227 | B227J72V3B2 | 223 | B223J1ZQ2 |
| JMT-327 | A327S1YZQ | MP1-331 | B331J2ZQ2 | MF5-231 | B231J72V3B2 | MR1-226 | B226J1ZQ2 |
| 331 | A331S1YZQ | 421 | B421J2ZQ2 | 232 | B232J72V3B2 | 227 | B227J1ZQ2 |
| 334 | A334S1YZQ | 423 | B423J2ZQ2 | 233 | B233J72V3B2 | 231 | B231J1ZQ2 |
| 421 | A421S1YZQ | 427 | B427J2ZQ2 | 235 | B235J72V3B2 | 232 | B232J1ZQ2 |
| 423 | A423S1YZQ | 431 | B431J2ZQ2 | MP6-121 | B121J63ZQ2 | 233 | B233J1ZQ2 |
| JMT-427 | A427S1YZQ | MP1-432 | B432J2ZQ2 | MP6-123 | B123J63ZQ2 | MR1-235 | B235J1ZQ2 |
| 431 | A431S1YZQ | 433 | B433J2ZQ2 | 126 | B126J63ZQ2 | 321 | B321J1ZQ2 |
| 432 | A432S1YZQ | 435 | B435J2ZQ2 | 127 | B127J63ZQ2 | 323 | B323J1ZQ2 |
| 433 | A433S1YZQ | MF2-121 | B121J21ZQ22M | 131 | B131J63ZQ2 | 327 | B327J1ZQ2 |
| 434 | A434S1YZQ | 123 | B123J21ZQ22M | 221 | B221J63ZQ2 | 331 | B331J1ZQ2 |
| JMT-435 | A435S1YZQ | MP2-126 | B126J21ZQ22M | MP6-223 | B223J63ZQ2 | MR1-421 | B421J1ZQ2 |
| LFH-121 | A121P32Y5ZQ | 127 | B127J21ZQ22M | 226 | B226J63ZQ2 | 423 | B423J1ZQ2 |
| 123 | A123P32Y5ZQ | 131 | B131J21ZQ22M | 227 | B227J63ZQ2 | 427 | B427J1ZQ2 |
| 126 | A126P32Y5ZQ | 221 | B221J21ZQ22M | 231 | B221J63ZQ2 | 431 | B431J1ZQ2 |
| 127 | A127P32Y5ZQ | 223 | B223J21ZQ22M | 232 | B223J63ZQ2 | 432 | B432J1ZQ2 |
| LFH-131 | A131P32Y5ZQ | MP2-226 | B226J21ZQ22M | MP6-233 | B223J63ZQ2 | MR1-433 | B433J1ZQ2 |
| 134 | A134P32Y5ZQ | 227 | B227J21ZQ22M | 235 | B235J63ZQ2 | 435 | B435J1ZQ2 |
| 221 | A221P32Y5ZQ | 231 | B231J21ZQ22M | MP7-121 | B121J60ZQ2 | MR2-121 | B121J11ZQ22M |
| 223 | A223P32Y5ZQ | 232 | B232J21ZQ22M | 123 | B123J60ZQ2 | 123 | B123J11ZQ22M |
| 226 | A226P32Y5ZQ | 233 | B233J21ZQ22M | 126 | B126J60ZQ2 | 126 | B126J11ZQ22M |

* EATON PART NUMBERS ARE NOW ELECTROSWITCH PART NUMBERS.

CrossReference
FORMER EATON (JBT) PART NUMBER TO ELECTROSWITCH PART NUMBER*

| Former Eaton Part No. | Electroswitch Part No. | Former Eaton Part No. | Electroswitch Part No. | Former Eaton Part No. | Electroswitch Part No. | Former Eaton Part No. | Electroswitch Part No. |
|-----------------------|------------------------|-----------------------|------------------------|-----------------------|------------------------|-----------------------|------------------------|
| MR2- 127 | B127J11ZQ22M | MR6- 226 | B226J53ZQ2 | PB- 1261AV2Q | PB-12631AV2Q | PB1- 1262WB | PB-12612WB |
| 131 | B131J11ZQ22M | 227 | B227J53ZQ2 | 1261CB | PB-12631CB | 1262ZQE | PB-12612ZQ |
| 221 | B221J11ZQ22M | 231 | B231J53ZQ2 | 1261CG | PB-12631CG | 1262Z3B | PB-12612Z3B |
| 223 | B223J11ZQ22M | 232 | B232J53ZQ2 | 1261CGE | PB-12631CG | 1263ABE | PB-12613AB |
| 226 | B226J11ZQ22M | 233 | B233J53ZQ2 | 1261CQ | PB-12631CQ | 1263CB | PB-12613CB |
| MR2- 227 | B227J11ZQ22M | MR6- 235 | B235J53ZQ2 | PB- 1261CQE | PB-12631CQ | PB1- 1263WB | PB-12613WB |
| 231 | B231J11ZQ22M | MR7- 121 | B121J50ZQ2 | 1261ZB | PB-12631ZB | 1263ZB | PB-12613ZB |
| 232 | B232J11ZQ22M | 123 | B123J50ZQ2 | 1261ZBE | PB-12631ZB | 1263ZBE | PB-12613ZB |
| 233 | B233J11ZQ22M | 126 | B126J50ZQ2 | 1261ZB7E | PB-12631ZB7 | 1263ZG | PB-12613ZG |
| 235 | B235J11ZQ22M | 127 | B127J50ZQ2 | 1261ZG | PB-12631ZG | 1263ZQE | PB-12613ZQ |
| MR2- 321 | B321J11ZQ22M | MR7- 131 | B131J50ZQ2 | PB- 1261ZGE | PB-12631ZG | PB1- 1263ZG7 | PB-12613ZG7 |
| 323 | B323J11ZQ22M | 221 | B221J50ZQ2 | 1261ZG7E | PB-12631ZG7 | PB2- 123 | PB-12321ZQ |
| 327 | B327J11ZQ22M | 223 | B223J50ZQ2 | 1261ZQ | PB-12631ZQ | 1233 | PB-12323ZQ |
| 331 | B331J11ZQ22M | 226 | B226J50ZQ2 | 1262CG | PB-12632CG | 126 | PB-12621ZQ |
| 421 | B421J11ZQ22M | 227 | B227J50ZQ2 | 1262CQ | PB-12632CQ | 126E | PB-12621ZQ |
| MR2- 423 | B423J11ZQ22M | MR7- 231 | B231J50ZQ2 | PB- 1262WBE | PB-12632WB | PB2- 126WHITE | PB-12622ZQ |
| 427 | B427J11ZQ22M | 232 | B232J50ZQ2 | 1262ZB | PB-12632ZB | 1261 | PB-12621ZQ |
| 431 | B431J11ZQ22M | 233 | B233J50ZQ2 | 1262ZG | PB-12632ZG | PBS- 123 | PBS-12331ZQ |
| 432 | B432J11ZQ22M | 235 | B235J50ZQ2 | 1262ZQ | PB-12632ZQ | 123X | PBS-12300ZQ |
| 433 | B433J11ZQ22M | PB- 123 | PB-12331ZQ | 1262ZQE | PB-12632ZQ | 126 | PBS-12631ZQ |
| MR2- 435 | B435J11ZQ22M | PB- 123E | PB-12331ZQ | PB- 1262Z3G | PB-12632Z3G | PBS- 126X | PBS-12600ZQ |
| MR3- 121 | B121J3ZQ2 | 123MPC | PB-12331CQ | 1263AB | PB-12633AB | PBS2- 126E | PBS-12621ZQ |
| 123 | B123J3ZQ2 | 123RED | PB-12333ZQ | 1263AVB | PB-12633AVB | PBW- 126X | PBW-12600ZQ |
| 126 | B126J3ZQ2 | 123X | PB-12300ZQ | 1263AVG7 | PB-12623AVG7 | 126ZQE | PBW-12631ZQ |
| 127 | B127J3ZQ2 | 1230CB | PB-12300CB | 1263-CG | PB-12633CG | 126ZQE | PBW-12632ZQ |
| MR3- 131 | B131J3ZQ2 | PB- 1231AB | PB-12331AB | PB- 1263CGE | PB-12633CG | PBW2- 126 | PBW-12621ZQA |
| 221 | B221J3ZQ2 | 1231AVQ | PB-12331AVQ | 1263CQ | PB-12633CQ | PC1- 121 | A121M1DRQ |
| 223 | B223J3ZQ2 | 1231CB | PB-12331CB | 1263ZB | P6-12633ZB | 123 | A123M1DRQ |
| 226 | B226J3ZQ2 | 1231CGE | PB-12331CQ | 1263ZBE | PB-12633ZB | 126 | A126M1DRQ |
| 227 | B227J3ZQ2 | 1231CQ | PB-12331CQ | 1263ZG | PB-12633ZG | 127 | A127M1DRQ |
| MR3- 231 | B231J3ZQ2 | PB- 1231CQE | PB-12331CQ | PB- 1263ZG7 | PB-12633ZG7 | PC1- 131 | A131M1DRQ |
| 232 | B232J3ZQ2 | 1231ZB | PB-12331ZB | 1263ZQ | PB-12633ZQ | 134 | A134M1DRQ |
| 233 | B233J3ZQ2 | 1231ZG | PB-12331ZG | PB1- 123 | PB-12311ZQ | PC2- 121 | A121M1DR2Q |
| 235 | B235J3ZQ2 | 1231ZGE | PB-12331ZG | 1231AB | PB-12311AB | 123 | A123M1DR2Q |
| 321 | B321J3ZQ2 | 1231ZG7 | PB-12331ZG7 | 1231Z6 | PB-12311ZB | 126 | A126M1DR2Q |
| MR3- 323 | B323J3ZQ2 | PB- 1232ZB | PB-12332ZB | PB1- 1231ZG | PB-12311ZG | PC2- 127 | A127M1DR2Q |
| 327 | B327J3ZQ2 | 1233AVB | PB-12333AVB | 1231ZG7 | PB-12311ZG7 | 131 | A131M1DR2Q |
| 331 | B331J3ZQ2 | 1233CG | PB-12333CG | 1231Z3Q | PB-12311Z3Q | 134 | A134M1DR2Q |
| 421 | B421J3ZQ2 | 1233CQ | PB-12333CQ | 1232ZB | PB-12312ZB | PS1- 1XX | PS1-1XXQ |
| 423 | B423J3ZQ2 | 1233ZB | PB-12333ZB | 1232ZB7 | P6-12312ZB7 | 100 | PS1-100Q |
| MR3- 427 | B427J3ZQ2 | PB- 1233ZG | PB-12333ZG | PB1- 1232ZQE | PB-12312ZQ | PS1- 2XX | PS1-2XXQ |
| 431 | B431J3ZQ2 | 1233ZG7 | PB-12333ZG7 | 1233ZG7 | PB-12313ZG7 | 200 | PS1-200Q |
| 432 | B432J3ZQ2 | 1233ZQ | PB-12333ZQ | 126 | PB-12611ZQ | PS2- 1XX | PS2-1XXQ |
| 433 | B433J3ZQ2 | 126 | PB-12631ZQ | 126G | PB-12611ZG | 100 | PS2-100Q |
| 435 | B435J3ZQ2 | 126AV2BE | PB-12631AV2B | 126MPC | PB-12611CQ | 2XX | PS2-2XXQ |
| M65- 121 | B121J71V3B2 | PB- 126CGE | PB-12631CG | PB1- 126RED | PB-12613ZQ | PS2- 200 | PS2-200Q |
| 123 | B123J71V3B2 | 126CQ | PB-12631CQ | 126WHITE | PB-12612ZQ | PS3- 1XX | PS1-1XXB |
| 126 | B126J71V3B2 | 126CQE | PB-12631CQ | 1261AB | PB-12611AB | 100 | PS1-100B |
| 127 | B127J71V3B2 | 126E | PB-12631ZQ | 1261ABE | PB-12611AB | 2XX | PS1-2XXB |
| 131 | B121J71V3B2 | 126EWHITE | PB-12632ZQ | 1261AQ | PB-12611AQ | 200 | PS1-200B |
| M65- 221 | B221J71V3B2 | PB- 126EX | PB-12600ZQ | PB1- 1261AVB | PB-12611AVB | PS4- 1XX | PS2-100B |
| 223 | B223J71V3B2 | 126G | PB-12631ZG | 1261AVQ | PB-12611AVQ | 2XX | PS2-2XXB |
| 226 | B226J71V3B2 | 126MPC | PB-12631CQ | 1261CB | PB-12611CB | 200 | PS2-200B |
| 227 | B227J71V3B2 | 126RED | PB-12633ZQ | 1261CQ | PB-12611CQ | PS5- 1XX | PS5-1XXQ |
| 231 | B231J71V3B2 | 126UL | PB-12631ZQ | 1261WBE | PB-12611WB | 100 | PS5-100Q |
| MR5- 232 | B232J71V3B2 | PB- 126WHITE | PB-12632ZQ | PB1- 1261WG | PB-12611WG | PS6- 1XX | PS6-1XXQ |
| 233 | B233J71V3B2 | 126X | PB-12600ZQ | 1261ZB | PB-12611ZB | 100 | PS6-100Q |
| 235 | B235J71V3B2 | 1260AB | PB-12600AB | 1261ZBE | PB-12611ZB | PS7- 1XX | PS7-1XXB |
| MR6- 121 | B121J53ZQ2 | 1260ZB | PB-12600ZB | 1261ZG | PB-12611ZG | 100 | PS7-100B |
| 123 | B123J53ZQ2 | 1261AB | PB-12631AB | 1261ZGE | PB-12611ZG | 2XX | PS7-2XXB |
| M66- 126 | B126J53ZQ2 | PB- 1261ABE | PB-12631AB | PB1- 1261ZG7 | PB-12611ZG7 | PS7- 200 | PS7-200B |
| 127 | B127J53ZQ2 | 1261AQ | PB-12631AQ | 1261ZQ | PB-12611ZQ | PS8- 1XX | PS8-1XXB |
| 131 | B131J53ZQ2 | 1261AVQ | PB-12631AVQ | 1261ZQE | PB-12611ZQ | 100 | PS8-100B |
| 221 | B221J53ZQ2 | 1261AV2B | PB-12631AV2B | 1261Z3B | PB-12611Z3B | 2XX | PS8-2XXB |
| 223 | B223J53ZQ2 | 1261AV2BE | PB-12631AV2B | 1262CB | PB-12612CB | 200 | PS8-200B |

* EATON PART NUMBERS ARE NOW ELECTROSWITCH PART NUMBERS.

CrossReference
FORMER EATON (JBT) PART NUMBER TO ELECTROSWITCH PART NUMBER*

| Former Eaton Part No. | Electroswitch Part No. | Former Eaton Part No. | Electroswitch Part No. | Former Eaton Part No. | Electroswitch Part No. | Former Eaton Part No. | Electroswitch Part No. |
|---|---|---|--|---|---|--------------------------------------|--|
| PS9- 1XX 100 2XX 200 | PS9-1XXB PS9-100B PS9-2XXB PS9-200B | T01- 234 235 321 323 | A234S1YWB A235S1YWB A321S1YWB A323S1YWB | T04- 223 226 227 231 | A223S1CWZQ A226S1CWZQ A227S1CWZQ A231S1CWZQ | T11- 123 126 127 131 | A123S1HZQ A126S1HZQ A127S1HZQ A131S1HZQ |
| PS10- 1XX | PS10-1XXB | 327 | A327S1YWB | 232 | A232S1CWZQ | 134 | A134S1HZQ |
| PS10- 100 2XX 200 | PS10-100B PS10-2XXB PS10-200B | T01- 331 334 421 | A331S1YWB A334S1YWB A421S1YWB | T04- 233 234 235 | A233S1CWZQ A234S1CWZQ A235S1CWZQ | T11- 221 223 226 | A221S1HZQ A223S1HZQ A226S1HZQ |
| PS11- 1XX 100 | PS11-1XXB PS11-100B | 423 427 | A423S1YWB A427S1YWB | 321 323 | A321S1CWZQ A323S1CWZQ | 227 231 | A227S1HZQ A231S1HZQ |
| PS11- 2XX 200 | PS11-2XXB PS11-200B | T01- 431 432 | A431S1YWB A432S1YWB | T04- 327 331 | A327S1CWZQ A331S1CWZQ | T11- 232 233 | A232S1HZQ A233S1HZQ |
| PS14- 1XXX 100 2XXX | PS14-1XXXQ PS14-100Q PS14-2XXXQ | 433 434 435 | A433S1YWB A434S1YWB A435S1YWB | 334 421 423 | A334S1CWZQ A421S1CWZQ A423S1CWZQ | 234 235 321 | A234S1HZQ A235S1HZQ A321S1HZQ |
| PS14- 200 PS15- 1XXX 100 2XXX 200 | PS14-200Q PS15-1XXXQ PS15-100Q PS15-2XXXQ PS15-200Q | T02- 121 123 126 127 131 | A121M1D9AB A123M1D9AB A126M1D9AB A127M1D9AB A131M1D9AB | T04- 427 431 432 433 434 | A427S1CWZQ A431S1CWZQ A432S1CWZQ A433S1CWZQ A434S1CWZQ | T11- 323 327 331 334 421 | A323S1HZQ A327S1HZQ A331S1HZQ A334S1HZQ A421S1HZQ |
| PS16- 1XXX 100 2XXX 200 | PS16-1XXXQ PS16-100Q PS16-2XXXQ PS16-200Q | T02- 134 221 223 226 | A134M1D9AB A221M1D9AB A223M1D9AB A226M1D9AB | T04- 435 T06- 121 123 126 127 | A435S1CWZQ A121S1YZB A123S1YZB A126S1YZB A127S1YZB | T11- 423 427 431 432 433 | A432S1HZQ A427S1HZQ A431S1HZQ A432S1HZQ A433S1HZQ |
| PS17- 1XXX | PS17-1XXXQ | 227 | A227M1D9AB | 127 | A127S1YZB | 433 | A433S1HZQ |
| PS17- 100 2XXX 200 | PS17-100Q PS17-2XXXQ PS17-200Q | T02- 231 232 233 | A231M1D9AB A232M1D9AB A233M1D9AB | T06- 131 134 221 | A131S1YZB A134S1YZB A221S1YZB | T11- 434 435 T12- 121 | A434S1HZQ A435S1HZQ A121S1YZQP |
| PS71- 1XXX 100 | PS71-1XXB PS71-100B | 234 235 | A234M1D9AB A235M1D9AB | 223 226 | A223S1YZB A226S1YZB | 123 126 | A123S1YZQP A126S1YZQP |
| PS71- 2XX 200 | PS71-2XXB PS71-200B | T03- 121 123 | A121S1CXZQ A123S1CXZQ | T06- 227 231 | A227S1YZB A231S1YZB | T12- 127 131 | A127S1YZQP A131S1YZQP |
| PS72- 1XXX 100 2XX | PS72-1XXB PS72-100B PS72-2XXB | 126 127 131 | A126S1CXZQ A127S1CXZQ A131S1CXZQ | 232 233 234 | A232S1YZB A233S1YZB A234S1YZB | 134 221 223 | A134S1YZQP A221S1YZQP A223S1YZQP |
| PS72- 200 PS73- 1XX 100 2XX 200 | PS72-200B PS73-1XXB PS73-100B PS73-2XXB PS73-200B | T03- 134 221 223 226 227 | A134S1CXZQ A221S1CXZQ A223S1CXZQ A226S1CXZQ A227S1CXZQ | T06- 235 321 323 327 331 | A235S1YZB A321S1YZB A323S1YZB A327S1YZB A331S1YZB | T12- 226 227 231 232 233 | A226S1YZQP A227S1YZQP A231S1YZQP A232S1YZQP A233S1YZQP |
| PS81- 1XX 100 2XX 200 | PS81-1XXB PS81-100B PS81-2XXB PS81-200B | T03- 231 232 233 234 | A231S1CXZQ A232S1CXZQ A233S1CXZQ A234S1CXZQ | T06- 334 421 423 427 | A334S1YZB A421S1YZB A423S1YZB A427S1YZB | T12- 234 235 321 323 | A234S1YZQP A235S1YZQP A321S1YZQP A323S1YZQP |
| PS82- 1XX | PS82-1XXB | 235 | A235S1CXZQ | 431 | A431S1YZB | 327 | A327S1YZQP |
| PS82- 100 2XX 200 | PS82-100B PS82-2XXB PS82-200B | T03- 321 323 327 | A321S1CXZQ A323S1CXZQ A327S1CXZQ | T06- 432 433 434 | A432S1YZB A433S1YZB A434S1YZB | T12- 331 334 421 | A331S1YZQP A334S1YZQP A421S1YZQP |
| PS83- 1XX 100 | PS83-1XXB PS83-100B | 331 334 | A331S1CXZQ A334S1CXZQ | 435 T08- 121 | A435S1YZB A121M1D9AVB | 423 427 | A423S1YZQP A427S1YZQP |
| PS83- 2XX 200 | PS83-2XXB PS83-200B | T03- 421 423 | A421S1CXZQ A423S1CXZQ | T08- 123 126 | A123M1D9AVB A126M1D9AVB | T12- 431 432 | A431S1YZQP A432S1YZQP |
| T01- 121 123 126 | A121S1YWB A123S1YWB A126S1YWB | 427 431 432 | A427S1CXZQ A431S1CXZQ A432S1CXZQ | 127 131 134 | A127M1D9AVB A131M1D9AVB A134M1D9AVB | 433 434 435 | A433S1YZQP A434S1YZQP A435S1YZQP |
| T01- 127 131 134 221 223 | A127S1YWB A131S1YWB A134S1YWB A221S1YWB A223S1YWB | T03- 433 434 435 T04- 121 123 | A433S1CXZQ A434S1CXZQ A435S1CXZQ A121S1CXZQ A123S1CXZQ | T08- 221 223 226 227 231 | A221M1D9AVB A223M1D9AVB A226M1D9AVB A227M1D9AVB A231M1D9AVB | T13- 121 123 126 127 131 | A121S1YZ3Q A123S1YZ3Q A126S1YZ3Q A127S1YZ3Q A131S1YZ3Q |
| T01- 226 227 231 232 233 | A226S1YWB A227S1YWB A231S1YWB A232S1YWB A233S1YWB | T04- 126 127 131 134 221 | A126S1CXZQ A127S1CXZQ A131S1CXZQ A134S1CXZQ A221S1CXZQ | T08- 232 233 234 235 T11- 121 | A232M1D9AVB A233M1D9AVB A234M1D9AVB A235M1D9AVB A121S1HZQ | T13- 134 221 223 226 227 | A134S1YZ3Q A221S1YZ3Q A223S1YZ3Q A226S1YZ3Q A227S1YZ3Q |

* EATON PART NUMBERS ARE NOW ELECTROSWITCH PART NUMBERS.

CrossReference
FORMER EATON (JBT) PART NUMBER TO ELECTROSWITCH PART NUMBER*

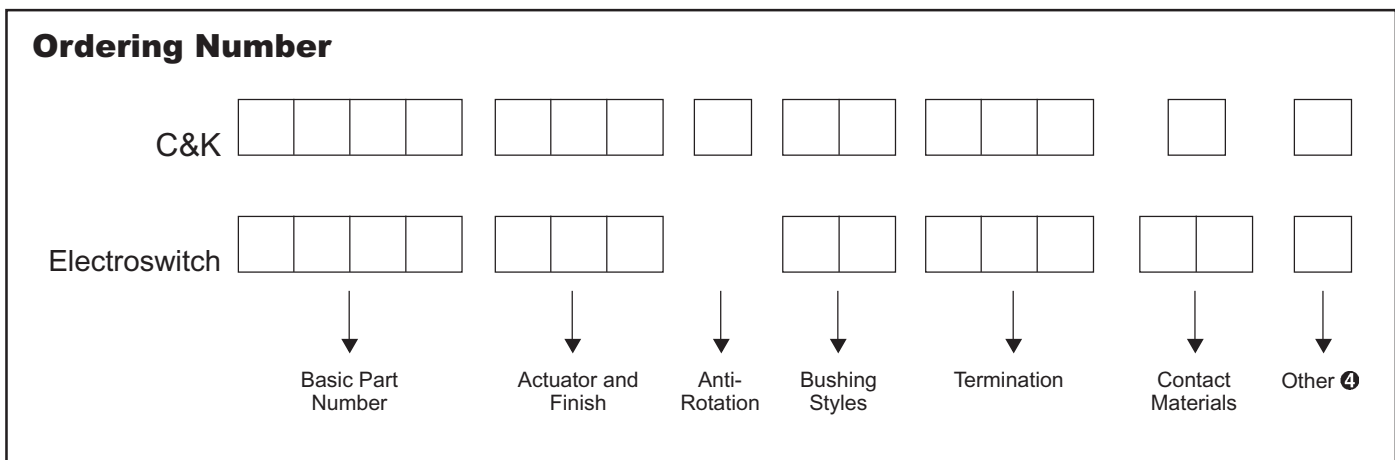
| Former Eaton Part No. | Electroswitch Part No. | Former Eaton Part No. | Electroswitch Part No. | Former Eaton Part No. | Electroswitch Part No. | Former Eaton Part No. | Electroswitch Part No. |
|-----------------------|------------------------|-----------------------|------------------------|-----------------------|------------------------|-----------------------|------------------------|
| T13- 231 | A231S1YZ3Q | T17- 126 | A126L34YZQ | T19- 232 | A232P12YZQ | T21- 421 | A421L01YZQ |
| 232 | A232S1YZ3Q | 127 | A127L34YZQ | 233 | A233P12YZQ | 423 | A423L01YZQ |
| 233 | A233S1YZ3Q | 131 | A131L34YZQ | 234 | A234P12YZQ | 427 | A427L01YZQ |
| 234 | A234S1YZ3Q | 134 | A134L34YZQ | 235 | A235P12YZQ | 431 | A431L01YZQ |
| 235 | A235S1YZ3Q | 221 | A221L34YZQ | 321 | A321P12YZQ | 432 | A432L01YZQ |
| T13- 321 | A321S1YZ3Q | T17- 223 | A223L34YZQ | T19- 323 | A323P12YZQ | T21- 433 | A433L01YZQ |
| 323 | A323S1YZ3Q | 226 | A226L34YZQ | 327 | A327P12YZQ | 434 | A434L01YZQ |
| 327 | A327S1YZ3Q | 227 | A227L34YZQ | 331 | A331P12YZQ | 435 | A435L01YZQ |
| 331 | A331S1YZ3Q | 231 | A231L34YZQ | 334 | A334P12YZQ | T22- 121 | A121L11YZQ |
| 334 | A334S1YZ3Q | 232 | A232L34YZQ | 421 | A421P12YZQ | 123 | A123L11YZQ |
| T13- 421 | A421S1YZ3Q | T17- 233 | A233L34YZQ | T19- 423 | A423P12YZQ | T22- 126 | A126L11YZQ |
| 423 | A423S1YZ3Q | 234 | A234L34YZQ | 427 | A427P12YZQ | 127 | A127L11YZQ |
| 427 | A427S1YZ3Q | 235 | A235L34YZQ | 431 | A431P12YZQ | 131 | A131L11YZQ |
| 431 | A431S1YZ3Q | 321 | A321L34YZQ | 432 | A432P12YZQ | 134 | A134L11YZQ |
| 432 | A432S1YZ3Q | 323 | A323L34YZQ | 433 | A433P12YZQ | 221 | A221L11YZQ |
| T13- 433 | A433S1YZ3Q | T17- 327 | A327L34YZQ | T19- 434 | A434P12YZQ | T22- 223 | A223L11YZQ |
| 434 | A434S1YZ3Q | 331 | A331L34YZQ | 435 | A435P12YZQ | 226 | A226L11YZQ |
| 435 | A435S1YZ3Q | 334 | A334L34YZQ | T20- 121 | A121P42YZQ | 227 | A227L11YZQ |
| T14- 121 | A121M1D9AV2B | 421 | A421L34YZQ | 123 | A123P42YZQ | 231 | A231L11YZQ |
| 123 | A123M1D9AV2B | 423 | A423L34YZQ | 126 | A126P42YZQ | 232 | A232L11YZQ |
| T14- 126 | A126M1D9AV2B | T17- 427 | A427L34YZQ | T20- 127 | A127P42YZQ | T22- 233 | A233L11YZQ |
| 127 | A127M1D9AV2B | 431 | A431L34YZQ | 131 | A131P42YZQ | 234 | A234L11YZQ |
| 131 | A131M1D9AV2B | 432 | A432L34YZQ | 134 | A134P42YZQ | 235 | A235L11YZQ |
| 134 | A134M1D9AV2B | 433 | A433L34YZQ | 221 | A221P42YZQ | 321 | A321L11YZQ |
| 221 | A221M1D9AV2B | 434 | A434L34YZQ | 223 | A223P42YZQ | 323 | A323L11YZQ |
| T14- 223 | A223M1D9AV2B | T17- 435 | A435L34YZQ | T20- 226 | A226P42YZQ | T22- 327 | A327L11YZQ |
| 226 | A226M1D9AV2B | T18- 121 | A121L44YZQ | 227 | A227P42YZQ | 331 | A331L11YZQ |
| 227 | A227M1D9AV2B | 123 | A123L44YZQ | 231 | A231P42YZQ | 334 | A334L11YZQ |
| 231 | A231M1D9AV2B | 126 | A126L44YZQ | 232 | A232P42YZQ | 421 | A421L11YZQ |
| 232 | A232M1D9AV2B | 127 | A127L44YZQ | 233 | A233P42YZQ | 423 | A423L11YZQ |
| T14- 233 | A233M1D9AV2B | T18- 131 | A131L44YZQ | T20- 234 | A234P42YZQ | T22- 427 | A427L11YZQ |
| 234 | A234M1D9AV2B | 134 | A134L44YZQ | 235 | A235P42YZQ | 431 | A431L11YZQ |
| 235 | A235M1D9AV2B | 221 | A221L44YZQ | 321 | A321P42YZQ | 432 | A432L11YZQ |
| T15- 121 | A121M1D9V30B | 223 | A223L44YZQ | 323 | A323P42YZQ | 433 | A433L11YZQ |
| 123 | A123M1D9V30B | 226 | A226L44YZQ | 327 | A327P42YZQ | 434 | A434L11YZQ |
| T15- 126 | A126M1D9V30B | T18- 227 | A227L44YZQ | T20- 331 | A331P42YZQ | T22- 435 | A435L11YZQ |
| 127 | A127M1D9V30B | 231 | A231L44YZQ | 334 | A334P42YZQ | T23- 121 | A121T11TZQ |
| 131 | A131M1D9V30B | 232 | A232L44YZQ | 421 | A421P42YZQ | 123 | A123T11TZQ |
| 134 | A134M1D9V30B | 233 | A233L44YZQ | 423 | A423P42YZQ | 221 | A221T11TZQ |
| 221 | A221M1D9V30B | 234 | A234L44YZQ | 427 | A427P42YZQ | 223 | A223T11TZQ |
| T15- 223 | A223M1D9V30B | T18- 235 | A235L44YZQ | T20- 431 | A431P42YZQ | T23- 323 | A323T11TZQ |
| 226 | A226M1D9V30B | 321 | A321L44YZQ | 432 | A432P42YZQ | 423 | A423T11TZQ |
| 227 | A227M1D9V30B | 323 | A323L44YZQ | 433 | A433P42YZQ | | |
| 231 | A231M1D9V30B | 327 | A327L44YZQ | 434 | A434P42YZQ | | |
| 232 | A232M1D9V30B | 331 | A331L44YZQ | 435 | A435P42YZQ | | |
| T15- 233 | A233M1D9V30B | T18- 334 | A334L44YZQ | T21- 121 | A121L01YZQ | | |
| 234 | A234M1D9V30B | 421 | A421L44YZQ | 123 | A123L01YZQ | | |
| 235 | A235M1D9V30B | 423 | A423L44YZQ | 126 | A126L01YZQ | | |
| T16- 121 | A121M1D9V60B | 427 | A427L44YZQ | 127 | A127L01YZQ | | |
| 123 | A123M1D9V60B | 431 | A431L44YZQ | 131 | A131L01YZQ | | |
| T16- 126 | A126M1D9V60B | T18- 432 | A432L44YZQ | T21- 134 | A134L01YZQ | | |
| 127 | A127M1D9V60B | 433 | A433L44YZQ | 221 | A221L01YZQ | | |
| 131 | A131M1D9V60B | 434 | A434L44YZQ | 223 | A223L01YZQ | | |
| 134 | A134M1D9V60B | 435 | A435L44YZQ | 226 | A226L01YZQ | | |
| 221 | A221M1D9V60B | T19- 121 | A121P12YZQ | 227 | A227L01YZQ | | |
| T16- 223 | A223M1D9V60B | T19- 123 | A123P12YZQ | T21- 231 | A231L01YZQ | | |
| 226 | A226M1D9V60B | 126 | A126P12YZQ | 232 | A232L01YZQ | | |
| 227 | A227M1D9V60B | 127 | A127P12YZQ | 233 | A233L01YZQ | | |
| 231 | A231M1D9V60B | 131 | A131P12YZQ | 234 | A234L01YZQ | | |
| 232 | A232M1D9V60B | 134 | A134P12YZQ | 235 | A235L01YZQ | | |
| T16- 233 | A233M1D9V60B | T19- 221 | A221P12YZQ | T21- 321 | A321L01YZQ | | |
| 234 | A234M1D9V60B | 223 | A223P12YZQ | 323 | A323L01YZQ | | |
| 235 | A235M1D9V60B | 226 | A226P12YZQ | 327 | A327L01YZQ | | |
| T17- 121 | A121L34YZQ | 227 | A227P12YZQ | 331 | A331L01YZQ | | |
| 123 | A121L34YZQ | 231 | A231P12YZQ | 334 | A334L01YZQ | | |

* EATON PART NUMBERS ARE NOW ELECTROSWITCH PART NUMBERS.

**Toggle Switch Cross Reference
C&K to Electroswitch**
STANDARD TOGGLE SWITCHES

| BASIC SWITCH | | | OPTIONAL FEATURE CODES | | | | | | | | | | | |
|--------------|--------|---------------|------------------------|---------------|---------------|---------------|----------------|---------------|-------------|---------------|-------------------|---------------|---------|---------------|
| C&K | | Electroswitch | Actuator & Finish | | Anti-Rotation | | Bushing Styles | | Termination | | Contact Materials | | Other ④ | |
| Std. | U.L. ① | | C&K | Electroswitch | C&K | Electroswitch | C&K | Electroswitch | C&K | Electroswitch | C&K | Electroswitch | C&K | Electroswitch |
| 7101 | U11 | A123 | K1 | K12 | | | CW | CW | | | | | | |
| 7103 | U13 | A121 | | | | | | | A | A | | | | |
| 7105 | U15 | A127 | L | L01 | | | | CX | AV | AV ⑦ | B | B | | |
| 7107 | U17 | A131 | | | | | | | AV2 | AV2 ⑦ | | | | |
| 7108 | U18 | A126 | L1 | L11 | | | | | | | | | | |
| 7109 | U19 | A134 | | | | | | D | D | | | | | |
| 7201 | U21 | A223 | L2 | L21 | | | | D9 | D9 | R | R | G | G | |
| 7203 | U23 | A221 | | | | | | | | R2 | R2 | | | E |
| 7205 | U25 | A227 | L3 | L34 | | | | H | H | V30 | V30 | | | ⑥ |
| 7207 | U27 | A231 | | | | | | H3 | H3 | V40 | V40 | Q | Q | |
| 7208 | U28 | A226 | L3 ② | L35 | | | | | | V60 | V60 | | | |
| 7209 | U29 | A234 | L3 ② (Red) | L36 | | | | K | | V70 | V70 | K | K ⑧ | |
| 7211 | U211 | A232 | L3 ② (White) | L4 | P | ③ | See Below | | | W | W | | | |
| 7213 | U213 | A233 | | | | | | CW | TW ⑤ | W1 | W1 | | | ③ |
| 7215 | U215 | A235 | | | | | | | | W3 | W3 | L | L ⑧ | P ③ |
| 7301 | U31 | A323 | | | | | | CW | TX ⑤ | W4 | W4 | | | |
| 7303 | U33 | A321 | M | M1 | | | | Y | Y | Z | Z | M | M ⑧ | |
| 7305 | U35 | A327 | | | | | | | | Z3 | Z3 | | | |
| 7307 | U37 | A331 | P1 | P11 | | | | Y5 | | | | | | |
| 7308 | U38 | N/A | | | | | | Y9 | Y9 | | | | | |
| 7309 | U39 | A334 | | | | | | | | | | | | |
| 7401 | U41 | A423 | P3 | P31 | | | | | | | | | | |
| 7403 | U43 | A421 | | | | | | | | | | | | |
| 7405 | U45 | A427 | P4 | P41 | | | | | | | | | | |
| 7407 | N/A | A431 | | | | | | | | | | | | |
| 7408 | U48 | N/A | S | S1 | | | | | | | | | | |
| 7409 | U49 | A434 | | | | | | | | | | | | |
| 7411 | U411 | A432 | T | T1 | | | | | | | | | | |
| 7412 | U413 | A433 | | | | | | | | | | | | |
| 7415 | U415 | A435 | T1 | T11 | | | | | | | | | | |

- ① Electroswitch part numbers are supplied U.L. Approved as standard on switches with Q and G options.
- ② The color descriptions are spelled out at the end of the C&K part number. Ex. 7101L3YZQ with red handle.
- ③ The Electroswitch code for anti-rotation (P) is found at the end of the Electroswitch part number. Not available on T or T1.
- ④ Other options include anti-rotation feature for Electroswitch.
- ⑤ Corresponds with sealed bushing version for T or T1 Actuator. See page 40.
- ⑥ Epoxy seal standard on all terminal options.
- ⑦ Verify momentary position on '26', '31', and '33' circuits. See pages 38 and 42 Pos. "C" or consult factory.
- ⑧ See page 38.

SELECTION GUIDE


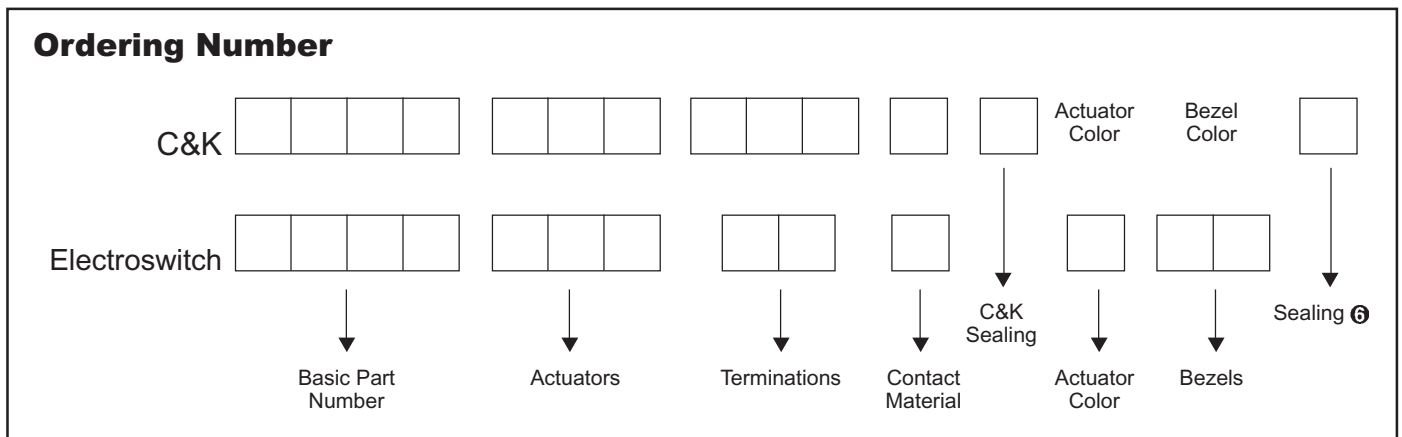
**Rocker Switch Cross Reference
C&K to Electros witch**

STANDARD ROCKER AND PADDLE SWITCHES

| BASIC SWITCH | | | OPTIONAL FEATURE CODES | | | | | | | | | | | | | |
|--------------|--------|----------------|------------------------|----------------|--------------|----------------|-------------------|----------------|---------|----------------|----------------|----------------|--------------------------|----------------|-------|----------------|
| C&K | | Electros witch | Actuators | | Terminations | | Contact Materials | | Sealing | | Actuator Color | | Frame or Bezels | | Other | |
| Std. | U.L. ① | | C&K | Electros witch | C&K | Electros witch | C&K | Electros witch | C&K | Electros witch | C&K | Electros witch | C&K | Electros witch | C&K | Electros witch |
| 7101 | U11 | B123 | | | | | | | | | | | | | | |
| 7103 | U13 | B121 | | | | | | | | | | | White ③ | 1P | | |
| 7105 | U15 | B127 | J1 ② | J1 | | | | | | | | | Black (Std.) ③ | 2P | | |
| 7107 | U17 | B131 | | | A | A | | | | | | | Red ③ | 3P | | |
| 7108 | U18 | B126 | J2 ② | J2 | AV | AV1 ⑦ | | | | | White | 1 | | | | |
| 7109 | U19 | B134 | J3 ② | J3 | AV2 | AV2 ⑦ | B | B | | | | | | | | |
| 7201 | U21 | B223 | J5 ② | J5 | | | | | | | | | | | | |
| 7203 | U23 | B221 | | | C | C | | | | | | | Black (Std.) | 2 | | |
| 7205 | U25 | B227 | J11 ③ | J11 | | | | | | | | | Black w/ L. E. D. Hole ③ | 4P | | |
| 7207 | U27 | B231 | | | V3 | V3 | G | G | | | | | | | | |
| 7208 | U28 | B226 | J21 ③ | J21 | V4 | V4 | | | | | | | Red | 3 | | |
| 7209 | U29 | B234 | | | V5 | V5 | | | | | | | Green | 5 | | |
| 7211 | U211 | B232 | J37 | J37 | V6 | V6 | | | | | | | | | | |
| 7213 | U213 | B233 | J47 | J47 | | | | | | | | | Bright Gray ③ | 8P | E | ⑥ |
| 7215 | U215 | B235 | J50 ② | J50 | | | | | | | | | Blue | 6 | | |
| 7301 | U31 | B323 | J51 ③ | J50 ④ | V7 | V7 | K | K ③ | | | | | | | | |
| 7303 | U33 | B321 | | | W | W | | | | | | | Yellow ③ | 9P | | |
| 7305 | U35 | B327 | J52 ③ | J50 ⑤ | W1 | W1 | | | | | | | Light Gray | 8 | | |
| 7307 | U37 | B331 | J53 ② | J53 | W3 | W3 | L | L ③ | | | | | Dark Gray ③ | 0P | | |
| 7308 | U38 | N/A | | | W4 | W4 | | | | | | | | | | |
| 7309 | U39 | B334 | J60 ② | J60 | W3 | W3 | | | | | | | Bright Chrome ③ | 1M | | |
| 7401 | U41 | B423 | J61 ③ | J60 ④ | W4 | W4 | M | M ③ | | | | | Yellow | 9 | | |
| 7403 | U43 | B421 | J62 ③ | J60 ⑤ | Z | Z | | | | | | | Dark Gray | 0 | | |
| 7405 | U45 | B427 | J63 ② | J63 | Z3 | Z3 | | | | | | | | | | |
| 7407 | N/A | B431 | | | | | | | | | | | Black (Std.) ③ | 2M | | |
| 7408 | U48 | N/A | | | | | | | | | | | Satin Chrome ③ | 3M | | |
| 7409 | U49 | B434 | | | | | | | | | | | | | | |
| 7411 | U411 | B432 | | | | | | | | | | | | | | |
| 7412 | U413 | B433 | | | | | | | | | | | | | | |
| 7415 | U415 | B435 | | | | | | | | | | | | | | |

- ① Electros witch part numbers are supplied U.L. Approved as standard on switches with Q and G options.
- ② A complete C&K part number includes in **Word Form** an actuator color at the end of the part number. If none is indicated a black actuator will be supplied as standard. Ex. 7101J2ZB with red actuator is Electros witch part number B123J2ZB3.
- ③ A complete C&K part number includes in **Word Form** an actuator color and bezel color at the end of the part number. If none is indicated a black actuator and bezel will be supplied as standard. Ex. 7101J51CBE with white actuator and red frame is Electros witch part number B123J50CB22P.
- ④ A complete Electros witch part number must include one of the following bezel codes. 1P, 2P, 3P, 5P, 6P, 8P, 9P, 0P.
- ⑤ A complete Electros witch part number must include bezel code 4P.
- ⑥ Epoxy is standard on all terminal options.
- ⑦ Verify momentary position on '26', '31', and '33' circuits. See pages 24 and 30 Pos. "C" or consult factory.
- ⑧ See page 24.

SELECTION GUIDE



**Toggle Switch Cross Reference
 ALCO & C&K to Electros witch**
WASHABLE TOGGLE SWITCHES

| BASIC SWITCH | | | OPTIONAL FEATURE CODES | | | | | | | | | |
|---|--------------------------------------|---|------------------------|----------------|----------------|----------------|-------------|----------------|-------------------|----------------|------------|----------------|
| ALCO | C&K | Electros witch 5 | Actuator & Finish | | Bushing Styles | | Termination | | Contact Materials | | Other | |
| | | | ALCO & C&K | Electros witch | ALCO & C&K | Electros witch | ALCO & C&K | Electros witch | ALCO & C&K | Electros witch | ALCO & C&K | Electros witch |
| AE101 AE103 AE105 AE107 AE108 | E101 E103 E105 E107 E108 | WT123 WT121 WT127 WT131 WT126 | L ① | L01 | | | A | A | | | | |
| | | | L1 ① | L11 | D1 | D1 | AV2 | AV2 ⑦ | B | B | | |
| | | | L2 ① | L21 | | | C | C | G | G | | |
| | | | L3 ② | L34 ③ | — | D9 | V3 | V3 | Q | Q | E ② | ④ |
| AE201 AE203 AE205 AE207 AE208 | E201 E203 E205 E207 E208 | WT223 WT221 WT227 WT231 WT226 | — | L44 ③ | Y ② | Y | V30 | V30 | K | K ⑤ | | |
| | | | M | M1 | — | Y9 | W | W | L | L ⑥ | | |
| | | | S | S1 | | | W1 | W1 | M | M ⑥ | | |
| AE211 AE213 AE215 | E211 — E215 | WT232 WT233 WT235 | | | | | W3 | W3 | | | | |
| | | | | | | | W4 | W4 | | | | |
| | | | | | | | W5 | — | | | | |
| | | | | | | | Z | Z | | | | |
| | | | | | | | Z3 | Z3 | | | | |

- ① ALCO only.
- ② C&K only.
- ③ Black std. See catalog for other colors.
- ④ Epoxy is standard on all terminal options for Electros witch & ALCO.
- ⑤ Electros witch part numbers are supplied U.L. approved as standard on switches with Q and G options.
- ⑥ See page 44.
- ⑦ Verify momentary position on '26', '31', and '33' circuits. See pages 44 and 47 Pos. "C" or consult factory.

**Rocker Switch Cross Reference
 ALCO & C&K to Electros witch**
WASHABLE ROCKER/PADDLE SWITCHES

| BASIC SWITCH | | | OPTIONAL FEATURE CODES | | | | | | | | | |
|--|---|---|------------------------|---------------------|--------------|----------------|-------------------|----------------|------------|----------------|-----------------|----------------|
| ALCO | C&K | Electros witch 1 | Actuators | | Terminations | | Contact Materials | | Sealing | | Actuator Color | |
| | | | ALCO & C&K | Electros witch | ALCO & C&K | Electros witch | ALCO & C&K | Electros witch | ALCO & C&K | Electros witch | ALCO & C&K | Electros witch |
| AE101 AE103 AE105 AE107 AE108 | E101 E103 E105 E107 E108 | WP 123 (Paddle) 121 or 127 WR 131 (Rocker) 126 | J1 | J1 ② or J71 ② | A | A | B | B | | | White | 1 |
| | | | J2 | J2 ② or J72 ② | AV2 | AV2 ⑤ | C | C | G | G | Black (Std.) | 2 |
| | | | J50 | J76 ② | V3 | V3 | Q | Q | E ③ | ④ | Red | 3 |
| AE201 AE203 AE205 AE207 AE208 AE211 AE213 AE215 | E201 E203 E205 E207 E208 E211 — E215 | WP 223 221 (Paddle) 227 Or 231 WR 226 232 (Rocker) 233 235 | J60 | J77 ② | W | W | K | K ⑤ | | | Green | 5 |
| | | | J90 ③ | — | W1 | W1 | L | L ⑥ | | | | |
| | | | | | W3 | W3 | M | M ⑥ | | | | |
| | | | | | W4 | W4 | | | | | | |
| | | | | | Z | Z | | | | | | |
| | | | | | Z3 | Z3 | | | | | | |

- ① Electros witch part numbers are supplied U.L. Approved as standard on switches with Q and G options.
- ② J1, J2 used with C, Z, Z3, W-W4 terminations. J71, J72, J76, J77 used with A, AV2, V3 terminations.
- ③ C&K only.
- ④ Epoxy is standard on all terminal options for Electros witch & ALCO.
- ⑤ Verify momentary position on '26', '31', and '33' circuits. See pages 32 and 35 Pos. "C" or consult factory.
- ⑥ See page 32.

Alcoswitch to Electroswitch Cross Reference
STANDARD MINIATURE SWITCHES

| ALCO Part No. | Electroswitch Part No. | ALCO Part No. | Electroswitch Part No. | ALCO Part No. | Electroswitch Part No. | ALCO Part No. | Electroswitch Part No. |
|--|---|---|--|--|---|---|--|
| MDS-106D-50-0 MDS-106D-50 MDS-106D-60-0 MDS-106D-60 MDS-106E-50-0 | B123J50ZQ2 B123J50ZQ ❶ B123J60ZQ2 B123J60ZQ ❶ B121J50ZQ2 | MHV-106D-PC-10-0M MHV-106D-PC-10M MHV-106D-PC-20-0M MHV-106D-PC-20M MHV-106E-PC-20-0M | B123J71V3Q2 B123J71V3Q ❶ B123J72V3Q2 B123J72V3Q ❶ B121J72V3Q2 | MPS-103F MPS-103F-PC MPS-103F-PCV MPS-103F-RA MPS-203R | PS1-100Q PS2-100G PS71-100Q PS9-100Q PS1-200Q | MRV-106E-PC-30M ❶ MRV-106E-PC-40M-0 MRV-106E-PC-40M ❶ MRV-106F-PC-30M-0 MRV-106F-PC-30M ❶ | B121J73V3Q ❶ B121J75V3Q2 B121J75V3Q ❶ B126J73V3Q2 B126J73V3Q ❶ |
| MDS-106E-50 MDS-106E-60-0 MDS-106E-60 MDS-106E-50-0 MDS-106F-50 | B121J50ZQ ❶ B121J60ZQ2 B121J60ZQ ❶ B126J50ZQ2 B126J5ZQ ❶ | MHV-106E-PC-20M MHV-106F-PC-10-0M MHV-106F-PC-10M MHV-106F-PC-20-0M MHV-106F-PC-20M | B121J72V3Q ❶ B126J71V3Q2 B126J71V3Q ❶ B126J72V3Q2 B126J72V2Q ❶ | MPS-203R-PC MPS-203R-PCV MPS-203R-RA MPSR-103F MPSR-203R | PS2-200G PS71-200Q PS9-200Q PS14-100G PS14-200G | MRV-106F-PC-40M-0 MRV-106F-PC-40M ❶ MRV-206N-PC-30M-0 MRV-206N-PC-30M ❶ MRV-206N-PC-40M-0 | B126J75V3Q2 B126J75V3Q ❶ B223J73V3Q2 B223J73V3Q ❶ B223J75V3Q2 |
| MDS-106F-60-0 MDS-106F-60 MDS-206N-50-0 MDS-206N-50 MDS-206N-60-0 | B126J60ZQ2 B126J60ZQ ❶ B223J50ZQ2 B223J50ZQ ❶ B223J60ZQ2 | MHV-206N-PC-10-0M MHV-206N-PC-10M MHV-206N-PC-20-0M MHV-206N-PC-20M MHV-206P-PC-20-0M | B223J71V3Q2 B223J71V3Q ❶ B223J72V3Q2 B223J72V3Q ❶ B221J72V3Q2 | NOTE — Pushbutton caps and bezels are ordered separately below and are not exactly interchangeable. Also the panel cut out for MPSR is NOT the same as C-H. C220 W-KN-17 C222 W-KN-17B C229 W-KN-17A C330 W-KN-18 C332 W-KN-18B C339 W-KN-18A SDR W-BZ-12 | MRV-206N-PC-40M ❶ MRV-206P-PC-30M-0 MRV-206P-PC-30M ❶ MRV-206P-PC-40M-0 MRV-206P-PC-40M ❶ | B223J75V3Q ❶ B221J73V3Q2 B221J73V3Q ❶ B221J75V3Q2 B221J75V3Q ❶ | |
| MDS-206N-60 MDS-206P-50-0 MDS-206P-50 MDS-206P-60-0 MDS-206P-60 | B223J60ZQ ❶ B221J50ZQ2 B221J50ZQ ❶ B221J60ZQ2 B221J60ZQ ❶ | MHV-206P-PC-20M MHV-206R-PC-10-0M MHV-206R-PC-10M MHV-206R-PC-20-0M MHV-206R-PC-20M | B221J72V3Q ❶ B226J71V3Q2 B226J71V3Q ❶ B226J72V3Q2 B226J72V3Q ❶ | | | | MRV-206R-PC-30M-0 MRV-206R-PC-30M ❶ MRV-206R-PC-40M-0 MRV-206R-PC-40M ❶ |
| MDS-206R-50-0 MDS-206R-50 MDS-206R-60-0 MDS-206R-60 | B226J50ZQ2 B226J50ZQ ❶ B226J60ZQ2 B226J60ZQ ❶ | MLD-106D-70-0 MLD-106D-70 MLD-106D-80-0 MLD-106D-80 MLD-106E-70-0 | B123J50ZQ2 B123J50ZQ ❶ B123J60ZQ2 B123J60ZQ ❶ B121J50ZQ2 | MRL-106D-30M-0 MRL-106D-30M MRL-106D-40M-0 MRL-106D-40M MRL-106E-30M-0 | B123J3ZQ2 B123J3ZQ ❶ B123J5ZQ2 B123J5ZQ ❶ B121J3ZQ2 | MSP-105D MSP-105F | PB-12331ZQ ❷ PB-12631ZQ ❷ |
| MHL-106D-10M-0 MHL-106D-10M MHL-106D-20M-0 MHL-166D-20M MHL-106E-20M-0 | B123J1ZQ2 B123J1ZQ ❶ B123J2ZQ2 B123J2ZQ ❶ B121J2ZQ2 | MLD-106E-70 MLD-106E-80-0 MLD-106E-80 MLD-106F-70-0 MLD-106F-70 | B121J50ZQ ❶ B121J60ZQ2 B121J60ZQ ❶ B126J50ZQ2 B126J50ZQ ❶ | MRL-106E-30M MRL-106E-40M-0 MRL-106E-40M MRL-106F-30M-0 MRL-106F-30M | B121J3ZQ ❶ B121J5ZQ2 B121J5ZQ ❶ B126J3ZQ2 B126J3ZQ ❶ | MST-105D MST-105E MST-105F MST-105G MST-105H | A123S1YZQ A121S1YZQ A134S1YZQ A127S1YZQ A131S1YZQ |
| MHL-106E-20M MHL-106F-10M-0 MHL-106F-10M MHL-106F-20M-0 MHL-106F-20M | B121J2ZQ ❶ B126J1ZQ2 B126J1ZQ ❶ B126J2ZQ2 B126J2ZQ ❶ | MLD-106F-80-0 MLD-106F-80 MLD-206N-70-0 MLD-206N-70 MLD-206N-80-0 | B126J60ZQ2 B126J60ZQ ❶ B223J50ZQ2 B223J50ZQ ❶ B223J60ZQ2 | MRL-106F-40M-0 MRL-106F-40M MRL-206N-30M-0 MRL-206N-30M MRL-206N-40M-0 | B126J5ZQ2 B126J5ZQ ❶ B223J3ZQ2 B223J3ZQ ❶ B223J5ZQ2 | MST-115D MST-205N MST-205P MST-205PA MST-205R | A123S1YZQ w/W-CAP-10A A223S1YZQ A221S1YZQ A232S1YZQ A234S1YZQ |
| MHL-206N-10M-0 MHL-206N-10M MHL-206N-20M-0 MHL-206N-20M MHL-206P-20M-0 | B223J1ZQ2 B223J1ZQ ❶ B223J2ZQ2 B223J2ZQ ❶ B221J2ZQ2 | MLD-206N-80 MLD-206P-70-0 MLD-206P-70 MLD-206P-80-0 MLD-206P-80 | B223J60ZQ ❶ B221J50ZQ2 B221J50ZQ ❶ B221J60ZQ2 B221J60ZQ ❶ | MRL-206N-40M MRL-206P-30M-0 MRL-206P-30M MRL-206P-40M-0 MRL-206P-40M | B223J5ZQ ❶ B221J3ZQ2 B221J3ZQ ❶ B221J5ZQ2 B221J5ZQ ❶ | MST-205S MST-205SA MST-205T MST-205TA MST-215N | A227S1YZQ A235S1YZQ A231S1YZQ A233S1YZQ A223S1YZQ w/W-CAP-10A |
| MHL-206P-20M MHL-206R-10M-0 MHL-206R-10M MHL-206R-20M-0 MHL-206R-20M | B221J2ZQ ❶ B226J1ZQ2 B226J1ZQ ❶ B226J2ZQ2 B226J2ZQ ❶ | MLD-206R-70-0 MLD-206R-70 MLD-206R-80-0 MLD-206R-80 | B226J50ZQ2 B226J50ZQ ❶ B226J60ZQ2 B226J60ZQ ❶ | MRL-206R-30M-0 MRL-206R-30M MRL-206R-40M-0 MRL-206R-40M MRL-306D-30M-0 | B226J3ZQ2 B226J3ZQ ❶ B226J5ZQ2 B226J5ZQ ❶ B323J3ZQ2 | MST-305D MST-305E MST-305F MST-305H MST-315D | A323S1YZQ A321S1YZQ A334S1YZQ A331S1YZQ A323S1YZQ w/W-CAP-10A |
| MHL-306D-10M-0 MHL-306D-10M MHL-306D-20M-0 MHL-306D-20M MHL-306F-10M-0 | B323J1ZQ2 B323J1ZQ ❶ B323J2ZQ2 B323J2ZQ ❶ B326J1ZQ2 | MNL-206 ❸ MNL-206P ❸ MNL-206R ❸ | SC12CWN1 ❸ SC12BWN1 ❸ SC12GWN1 ❸ | MRL-306D-30M MRL-306D-40M-0 MRL-306D-40M MRL-406N-30M-0 MRL-406N-30M | B323J3ZQ ❶ B323J5ZQ2 B323J5ZQ ❶ B423J3ZQ2 B423J3ZQ ❶ | MST-405N MST-405P MST-415N | A423S1YZQ A421S1YZQ A423S1YZQ w/W-CAP-10A |
| MHL-306F-10M MHL-306F-20M-0 MHL-306F-20M MHL-406N-10M-0 MHL-406N-10M | B326J1ZQ ❶ B326J2ZQ2 B326J2ZQ ❶ B423J1ZQ2 B423J1ZQ ❶ | ❸ Add Color of Rocker Code as Follows Red — 2 92 Amber — 4 94 Green — 5 93 White — 9 91 | | MRL-406N-40M-0 MRL-406N-40M | B423J5ZQ2 B423J5ZQ ❶ | | |
| MHL-406N-20M-0 MHL-406N-20M | B423J2ZQ2 B423J2ZQ ❶ | MPA-106D MPA-106F | PB-12331ZQ ❷ PB-12631ZQ ❷ | MRV-106D-PC-30M-0 MRV-106D-PC-30M ❶ MRV-106D-PC-40M-0 MRV-106D-PC-40M ❶ MRV-106E-PC-30M-0 | B123J73V3Q2 B123J73V3Q ❶ B123J75V3Q2 B123J75V3Q ❶ B121J73V3Q2 | MST-105D-PC MST-105E-PC MST-105F-PC MST-205N-PC MST-205P-PC | A123S1YQC A121S1YQC A126S1YQC A223S1YQC A221S1YQC |
| | | MPE-106D MPE-106F | PBW-12331ZQ ❷ PBW-12631ZQ ❷ | | | MST-205PA-PC | A232S1YQC |

NOTE: ALCO Series MHL, MHV, MLD, MPA, MHL, MRV, MTA, MTB, MTE, MTP, MTG, MTL and MTM have molded-in terminals. If application requires sealing, Electroswitch can supply epoxy sealed terminals. Refer to Standard Option tables on pages 24 and 38 to determine correct part number.

❶ Refer to ordering table on page 24 for additional actuator colors and bezels.

❷ Depth behind panel not the same as ALCO.

Alcoswitch to Electros witch Cross Reference
STANDARD MINIATURE SWITCHES

| ALCO Part No. | Electros witch Part No. | ALCO Part No. | Electros witch Part No. | ALCO Part No. | Electros witch Part No. | ALCO Part No. | Electros witch Part No. |
|---|--|---|--|---|--|---|--|
| MTA-106D MTA-106D-PC MTA-106D-RA MTA-106D-VRA MTA-106D-WW | A123S1YZQ A123S1YCC A123M1DAQ A123M1DAVQ A123S1YWB | MTA-206TA MTA-306D MTA-306D-PC MTA-306D-WW MTA-306E | A233S1YZQ A323S1YZQ A323S1YCC A323S1YWB A321S1YZQ | MTE-306E MTE-406N MTE-406P | A321S1CWZQ A423S1CWZQ A421S1CWZQ | MTL-106D MTL-106E MTL-206N MTL-206P MTL-206PA | A123K12KZQ A121K12KZQ A223K12KZQ A221K12KZD A232K12KZQ |
| MTA-106E MTA-106E-PC MTA-106E-RA MTA-106E-VRA MTA-106E-WW | A121S1YZQ A121S1YCC A121M1DAQ A121M1DAVQ A121S1YWB | MTA-306E-PC MTA-306G MTA-306H-PC MTA-406N MTA-406N-PC | A321S1YCC A331S1YZQ A331S1YCC A423S1YZQ A423S1YCC | MTF-106D MTF-106E MTF-106F MTF-106G MTF-106H | A123P32YZQ A121P32YZQ A126P32YZQ A127P32YZQ A131P32YZQ | MTL-306D MTL-406N MTL-406PA | A323K12KZQ A423K12KZQ A432K12KZQ |
| MTA-106F MTA-106F-PC MTA-106F-RA MTA-106F-VRA MTA-106G | A126S1YZQ A126S1YCC A126M1DAQ A126M1DAVQ A127S1YZQ | MTA-406N-WW MTA-406P MTA-406P-PC MTA-406PA MTA-406PA-PC | A423S1YWB A421S1YZQ A421S1YCC A432S1YZQ A432S1YCC | MTF-126D MTF-126E MTF-126F MTF-126G MTF-126H | A123P31YZQ A121P31YZQ A126P31YZQ A127P31YZQ A131P31YZQ | MTM-106D-PC MTM-106D-RA MTM-106D-VRA MTM-106E-PC MTM-106E-RA | A123M1DCQ A123M1D9AQ A123M1D9AVQ A121M1DCQ A121M1D9AQ |
| MTA-106G-PC MTA-106H MTA-106H-PC MTA-206N MTA-206N-PC | A127S1YCC A131S1YZQ A131S1YCC A223S1YZQ A223S1YCC | MTB-106D MTB-106E MTB-106F MTB-106G MTB-106H | A123L44YZQ A121L44YZQ A126L44YZQ A127L44YZQ A131L44YZQ | MTF-206N MTF-206P MTF-206PA MTF-206R MTF-206S | A223P32YZQ A221P32YZQ A232P32YZQ A226P32YZQ A227P32YZQ | MTM-106E-VRA MTM-106F-PC MTM-106F-RA MTM-106F-VRA MTM-106G-PC | A121M1D9AVQ A126M1DCQ A126M1D9AQ A126M1D9AVQ A127M1DCQ |
| MTA-206N-RA MTA-206N-VRA MTA-206N-WW MTA-206P MTA-206P-PC | A223M1DAQ A223M1DAVQ A223S1YWB A221S1YZQ A221S1YCC | MTB-206N MTB-206P MTB-206PA MTB-206R MTB-206S | A223L44YZQ A221L44YZQ A232L44YZQ A226L44YZQ A227L44YZQ | MTF-206SA MTF-206T MTF-226N MTF-226P MTF-226PA | A235P32YZQ A231P32YZQ A223P31YZQ A221P31YZQ A233P31YZQ | MTM-106H-PC MTM-206N-PC MTM-206N-BA MTM-206N-VRA MTM-206P-PC | A131M1DCQ A223M1DCQ A223M1D9AQ A223M1D9AVQ A221M1DCQ |
| MTA-206P-RA MTA-206P-VRA MTA-206P-WW MTA-206PA MTA-206PA-PC | A221M1DAQ A221M1DAVQ A221S1YWB A232S1YZQ A232S1YCC | MTB-206T MTB-306D MTB-406D | A231L44YZQ A323L44YZQ A423L44YZQ | MTF-226R MTF-226S MTF-226SA MTF-226T MTF-306N | A226P31YZQ A227P31YZQ A235P31YZQ A231P31YZQ A323P32YZQ | MTM-206P-RA MTM-206P-VRA MTM-206PA-PC MTM-206R-PC MTM-206R-RA | A221M1D9AQ A221M1D9AVQ A233M1DCQ A226M1DCQ A226M1D9AQ |
| MTA-206R MTA-206R-PC MTA-206R-RA MTA-206R-VRA MTA-206S | A226S1YZQ A226S1YCC A226M1DAQ A226M1DAVQ A227S1YZQ | MTE-106D MTE-106E MTE-106F MTE-106G MTE-106H | A123S1CWZQ A121S1CWZQ A126S1CWZQ A127S1CWZQ A131S1CWZQ | MTF-326N MTF-406N MTF-426N | A323P31YZQ A423P32YZQ A423P31YZQ | MTM-206R-VRA MTM-206S-PC MTM-206T-PC MTM-306D-PC MTM-406N-PC | A226M1D9AVQ A227M1DCQ A231M1DCQ A323M1DCQ A423M1DCQ |
| MTA-206S-PC MTA-206SA MTA-206SA-PC MTA-206T MTA-206T-PC | A227S1YCC A235S1YZQ A235S1YCC A231S1YZQ A231S1YCC | MTE-206N MTE-206P MTE-206PA MTE-206R MTE-206S | A223S1CWZQ A221S1CWZQ A232S1CWZQ A226S1CWZQ A227S1CWZQ | MTG-106D MTG-106E MTG-206N MTG-206N-PC MTG-206P | A123T11TZQ A121T11TZQ A223T11TZQ A223T11TCQ A221T11TZQ | | |
| | | MTE-206T MTE-306D | A231S1CWZQ A323S1CWZQ | MTG-306D MTG-406N | A323T11TZQ TA423T11TZQ | | |

NOTE: ALCO Series MHL, MHV, MLD, MPA, MRL, MRV, MTA, MTB, MTE, MTF, MTG, MTL and MTM have molded-in terminals. If application requires sealing, Electros witch can supply epoxy sealed terminals. Refer to Standard Option tables on pages 24 and 38 to determine correct part number.

Ⓛ Momentary position opposite that of ALCO. See Note ⑦ on page 64.

Alcoswitch to Electros witch Cross Reference
WASHABLE MINIATURE SWITCHES

| ALCO Part No. | Electros witch Part No. | ALCO Part No. | Electros witch Part No. | ALCO Part No. | Electros witch Part No. | ALCO Part No. | Electros witch Part No. |
|---|---|---|---|--|---|--|---|
| AE101J1AB0 AE101J1AV2B0 AE101J1V3B0 AE101J1ZQ0 AE101J2AB0 | WR123J71AB2 WR123J71AV2B2 WR123J71V3B2 WR123J1ZQ2 WP123J72AB2 | AE101SD1AB AE101SD1AV2B AE101SD1V30B AE101SD1ZQ AE103J1AB0 | WT123S1D1AB WT123S1D1AV2B WT123S1D1V30B WT123S1D1ZQ WR121J71AB2 | AE103MD1AB AE103MDAV2B AE103MDV30B AE103MDZQ AE103SD1AB | WT121M1D1AB WT121M1D1AV2B WT121M1D1V30B WT121M1D1ZQ WT121S1D1AB | AE105J2ZQ0 AE105L2ZQ AE105LD1ZQ AE105LD2ZQ AE105MD1AB | WP127J2ZQ2 WT127L01D1ZQ WT127L11D1ZQ WT127L21D1ZQ WT127M1D1AB |
| AE101J2AV2B0 AE101J2V3B0 AE101JZQ0 AF101LD1ZQ AE101L1D1ZQ | WP123J72AV2B2 WP123J72V3B2 WP123JZQ0 WT123L01D1ZQ WT123L11D1ZQ | AE103J1AV2B0 AE103J1V3B0 AE103J1ZQ0 AE103J2AB0 AE103J2AV2B0 | WR121J71AV2B2 WR121J71V3B2 WR121J1ZQ0 WP121J72AB2 WP121J72AV2B2 | AE103SD1AV2B AE103SD1V30B AE103SD1ZQ AE105J1AB0 AE105J1AV2B0 | WT121S1D1AV2B WT121S1D1V30B WT121S1D1ZQ WR127J71AB2 WR127J71AV2B2 | AE105MD1AV2B AE105MD1V30B AE105MD1ZQ AE105SD1AB AE105SD1AV2B | WT127M1D1AV2B WT127M1D1V30B WT127M1D1ZQ WT127S1D1AB WT127S1D1AV2B |
| AE101L2D1ZQ AE101MD1AB AE101MD1AV2B AE101MD1V30B AE101MD1ZQ | WT123L2D1ZQ WT123M1D1AB WT123M1D1AV2B WT123M1D1V30B WT123M1D1ZQ | AE103J2V3B0 AE103JZQ0 AE103LD1ZQ AE103LD1ZQ AE103LD2D1ZQ | WP121J72V3B2 WP121JZQ0 WT121L01D1ZQ WT121L11D1ZQ WT121L21D1ZQ | AE105J1V3B0 AE105J1ZQ0 AE105J2AB0 AE105J2AV2B0 AE105J2V3B0 | WR127J71V3B2 WR127J1ZQ0 WP127J72AB2 WP127J72AV2B2 WP127J72V3B2 | AE105SD1V30B AE105SD1ZQ AE107J1AB0 AE107J1AV2B0 AE107J1V3B0 | WT127S1D1V30B WT127S1D1ZQ WR131J71AB2 WR131J71AV2B2 WR131J71V3B2 |

Ⓛ Momentary position opposite that of ALCO. See Notes ⑤ or ⑦ on page 66.

Alcoswitch to Electroswitch Cross Reference
WASHABLE MINIATURE SWITCHES

| ALCO Part No. | Electroswitch Part No. | ALCO Part No. | Electroswitch Part No. | ALCO Part No. | Electroswitch Part No. | ALCO Part No. | Electroswitch Part No. |
|--|---|--|---|--|---|--|--|
| AE107J12Q0 AE107J2AB0 AE107J2AV2B0 AE107J2V3B0 AE107J2ZQ0 | WR131J1ZQ2 WP131J72AB2 WP131J72AV2B2 ① WP131J72V3B2 WP131J2ZQ2 | AE203J1AV2B0 AE203J1V3B0 AE203J1ZQ0 AE203J2AB0 AE203J2AV2B0 | WR221J71AV2B2 WR221J71V3B2 WR221J1ZQ2 WP221J72AB2 WP221J72AV2B2 | AE207SD1ZQ AE208J1AB0 AE208J1AV2B0 AE208J1V3B0 AE208J1ZQ0 | WT231S1D1ZQ WR226J71AB2 WR226J71AV2B2 ① WR226J71V3B2 WR226J1ZQ2 | AE213SD1AV2B AE213SD1V30B AE213SD1ZQ AE215J1AB0 AE215J1AV2B0 | WT233S1D1AV2B ① WT233S1D1V30B WT233S1D1ZQ WR235J71AB2 WR235J71AV2B |
| AE107LD1ZQ AE107L1D1ZQ AE107L2D1ZQ AE107MD1AB AE107MD1AV2B | WT131L01D1ZQ WT131L11D1ZQ WT131L21D1ZQ WT131M1D1AB WT131M1D1AV2B ① | AE203J2V2B0 AE203L2ZQ0 AE203LD1ZQ AE203L1D1ZQ AE203L2D1ZQ | WP221J72V3B2 WP221J2ZQ WT221L01D1ZQ WT221L11D1ZQ WT221L21D1ZQ | AE208J2AB0 AE208J2AV2B0 AE208J2V3B0 AE208J2ZQ0 AE208LD1ZQ | WP226J72AB2 WP226J72AV2B2 ① WP226J72V3B2 WP226J2ZQ2 WT226L01Q1ZQ | AE215J1V3B0 AE215J1ZQ0 AE215J2AB0 AE215J2AV2B0 AE215J2V3B0 | WR235J1V3B2 WR235J1ZQ2 WP235J2AB2 WP235J2AV2B2 WP235J2V3B |
| AE107MD1V30B AE107MD1ZQ AE107SD1AB AE107SD1AV2B AE107SD1V30B | WT131M1D1V30B WT131M1D1ZQ WT131S1D1AB WT131S1D1AV2B ① WT131S1D1V30B | AE203MD1AB AE203MDAV2B AE203MDV30B AE203MDZQ AE203SD1AB | WT221M1D1AB WT221M1D1AV2B WT221M1D1V30B WT221M1D1ZQ WT221S1D1AB | AE208L1D1ZQ AE208L2D1ZQ AE208MD1AB AE208MD1AV2B AE208MD1V30B | WT226L11D1ZQ WT226L21D1ZQ WT226M1D1AB WT226M1D1AV2B ① WT226M1D1V30B | AE215J2ZQ0 AE215LD1ZQ AE215L1D1ZQ AE215L2D1ZQ AE215MD1AB | WP235J2ZQ2 WT235L01D1ZQ WT235L11D1ZQ WT235L21D1ZQ WT235M1D1AB |
| AE107SD1ZQ AE108J1AB0 AE108J1AV2B0 AE108J1V3B0 AE108J1ZQ0 | WT131S1D1ZQ WR126J71AB2 WR126J71AV2B2 ① WR126J71V3B2 WR126J71ZQ2 | AE203SD1AV2B AE203SD1V30B AE203SD1ZQ AE205J1AB0 AE205J1AV2B0 | WT221S1D1AV2B WT221S1D1V30B WT221S1D1ZQ WR227J71AB2 WR227J71AV2B2 | AE208MD1ZQ AE208SD1AB AE208SD1AV2B AE208SD1V30B AE208SD1ZQ | WT126M1D1ZQ WT226S1D1AB WT226S1D1AV2B ① WT226S1D1V30B WT226S1D1ZQ | AE215MD1AV2B AE215MD1V30B AE215MD1ZQ AE215SD1AB AE215SD1AV2B | WT235M1D1AV2B WT235M1D1V30B WT235M1D1ZQ WT235S1D1AB WT235S1D1AV2B |
| AE108J2AB0 AE108J2AV2B0 AE108J2V3B0 AE108J2ZQ0 AE108LD1ZQ | WP126J72AB2 WP126J72AV2B2 ① WP126J72V3B2 WP126J2ZQ2 WT126L01D1ZQ | AE205J1V3B0 AE205J1ZQ0 AE205J2AB0 AE205J2AV2B0 AE205J2V3B0 | WR227J71V3B2 WR227J1ZQ2 WP227J72AB2 WP227J72AV2B2 WP227J72V3B2 | AE211J1AB0 AE211J1AV2B0 AE211J1V3B0 AE211J1ZQ0 AE211J2AB0 | WT232J71AB2 WR232J71AV2B WR232J71V3B2 WR232J1ZQ2 WP232J72AB2 | AE215SD1V30B AE215SD1ZQ | WT235S1D1V30B WT235S1D1ZQ |
| AE108L1D1ZQ AE108L2D1ZQ AE108MD1AB AE108MD1AV2B AE108MD1V30B | WT126L11D1ZQ WT126L21D1ZQ WT126M1D1AB WT126M1D1AV2B ① WT126M1D1V30B | AE205J2ZQ0 AE205LD1ZQ AE205L1D1ZQ AE205L2D1ZQ AE205MD1AB | WP227J2ZQ2 WT227L01D1ZQ WT227L11D1ZQ WT227L21D1ZQ WT227M1D1AB | AE211J2AV2B0 AE211J2V3B0 AE211J2ZQ0 AE211LD1ZQ AE211D1ZQ | WP232J72AV2B2 WP232J72V3B2 WP232J2ZQ2 WT232L01D1ZQ WT232L11D1ZQ | | |
| AE108MD1ZQ AE108SD1AB AE108SD1AV2B AE108SD1V30B AE108SD1ZQ | WT126M1D1ZQ WT126S1D1AB WT126S1D1AV2B ① WT126S1D1V30B WT126S1D1ZQ | AE205MD1AV2B AE205MD1V30B AE205MD1ZQ AE205SD1AB AE205SD1AV2B | WT227M1D1AV2B WT227M1D1V30B WT227M1D1ZQ WT227S1D1AB WT227S1D1AV2B | AE211L2D1ZQ AE211MD1AB AE211MD1AV2B AE211MD1V30B AE211MD1ZQ | WT232L21D1ZQ WT232M1D1AB WT232M1D1AV2B WT232M1D1V30B WT232M1D1ZQ | | |
| AE201J1AB0 AE201J1AV2B0 AE201J1V3B0 AE201J1ZQ0 AE201J2AB0 | WR223J71AB2 WT223J71AV2B2 WR223J71V3B2 WR223J1ZQ2 WP223J72AB2 | AE205SD1V30B AE205SD1ZQ AE207J1AB0 AE207J1AV2B0 AE207J1V3B0 | WT227S1D1V30B WT227S1D1ZQ WR231J71AB2 WR231J71AV2B2 WR231J71V3B2 | AE211SD1AB AE211SD1AV2B AE211SD1V30B AE211SD1ZQ AE213J1AB0 | WT232S1D1AB WT232S1D1AV2B WT232S1D1V30B WT232S1D1ZQ WR233J71AB2 | | |
| AE201J2AV2B0 AE201J2V3B0 AE201J2ZQ0 AE201LD1ZQ AE201L1D1ZQ | WP223J72AV2B2 WP223J72V3B2 WP223J2ZQ2 WT223L01D1ZQ WT223L11D1ZQ | AE207J1ZQ0 AE207J2AB0 AE207J2AV2B0 AE207J2V3B0 AE207J2ZQ0 | WR231J1ZQ2 WP231J72AB2 WP231J72AB2 ① WP231J72V3B2 WP231J2ZQ2 | AE213J1AV2B0 AE213J1V3B0 AE213J1ZQ0 AE213J2AB0 AE213J2AV2B0 | WR233J71AV2B2 ① WR233J71V3B2 WR233J1ZQ2 WP233J72AB2 WP233J72AV2B2 ① | | |
| AE201L2D1ZQ AE201MD1AB AE201MD1AV2B AE201MD1V30B AE201MD1ZQ | WT223L21D1ZQ WT223M1D1AB WT223M1D1AV2B WT223M1D1V30B WT223M1D1ZQ | AE207LD1ZQ AE207L1D1ZQ AE207L2D1ZQ AE207MD1AB AE207MD1AV2B | WT231L01D1ZQ WT231L11D1ZQ WT231L21D1ZQ WT231M1D1AB WT231M1D1AV2B ① | AE213J2V3B0 AE213J2ZQ0 AE213LD1ZQ AE213L1D1ZQ AE213L2D1ZQ | WP233J72V3B2 WP233J2ZQ2 WT233L01D1ZQ WT233L11D1ZQ WT233L21D1ZQ | | |
| AE201SD1AB AE201SD1AV2B AE201SD1V30B AE201SD1ZQ AE203J1AB0 | WT223S1D1AB WT223S1D1AV2B WT223S1D1V30B WT223S1D1ZQ WR221J71AB2 | AE207MD1V30B AE207MD1ZQ AE207SD1AB AE207SD1AV2B AE207SD1V30B | WT231M1D1V30B WT231M1D1ZQ WT231S1D1AB WT231S1D1AV2B ① WT231S1D1V30B | AE213MD1AB AE213MD1AV2B AE213MD1V30B AE213MD1ZQ AE213SD1AB | WT233M1D1AB WT233M1D1AV2B ① WT233M1D1V30B WT233M1D1ZQ WT233S1D1AB | | |

① Momentary position opposite that of ALCO. See Notes ⑤ or ⑦ on page 66.

C&K to Electroswitch Cross Reference
STANDARD MINIATURE SWITCHES

| C&K Part No. | Electroswitch Part No. | C&K Part No. | Electroswitch Part No. | C&K Part No. | Electroswitch Part No. | C&K Part No. | Electroswitch Part No. |
|--------------|------------------------|--------------|------------------------|--------------|------------------------|--------------|------------------------|
| 5101ZQ | SC11CWN191 | 7101SYZ3QE | A123S1Y23Q | 7105P4YZQ | A127P41YZQ | 7108MDR2Q | A126M1DR2Q |
| 5103ZQ | SC11BWN191 | T1CWCYZQ | A123T11TWZQ | SCWZQ | A127S1CWZQ | P1YZQ | A126P11YZQ |
| 5105ZQ | SC11JWN191 | T1ZQ | A123T11TZQ | SHZQ | A127S1HZQ | P3YZQ | A126P31YZQ |
| 5107ZQ | SC11FVN191 | | | SPYZQ | A127S1H3ZQP | P4YZQ | A126P41YZQ |
| 5108ZQ | SC11GWN191 | 7103J1V3B | B121J1V3B2 | SYCQ | A127S1YCQ | SCWZQ | A126S1CWZQ |
| | | J1ZQ | B121J1ZQ2 | | | | |
| 5201ZQ | SC12CWN191 | J2V3B | B121J2V3B2 | 7105SYWBE | A127S1YWBE | 7108SHZQ | A126S1HZQ |
| 5203ZQ | SC12BWN191 | J2ZQ | B121J2ZQ2 | SYZB | A127S1YZB | SPYZQ | A126S1H3ZQP |
| 5205ZQ | SC12JWN191 | J3ZQ | B121J3ZQ2 | SYZQ | A127S1YZQ | SYCQ | A126S1YCQ |
| 5207ZQ | SC12FVN191 | | | SYZ3QE | A127S1YZ3Q | SYWBE | A126S1YWB |
| 5208ZQ | SC12GWN191 | 7103J5ZQ | B121J5ZQ2 | | | SYZB | A126S1YZB |
| | | J11ZQ | B121J11ZQ22M | 7107J1V3B | B131J71V3B2 | | |
| 5600ZB | SC12LWN191 | J21ZQ | B121J21ZQ22M | J1ZQ | B131J1ZQ2 | 7108SYZQ | A126S1YZQ |
| | | J50ZQ | B121J50ZQ2 | J2V3B | B131J2V3B2 | SYZ3QE | A126S1YZ3Q |
| | | J53ZQ | B121J53ZQ2 | J2ZQ | B131J2ZQ2 | | |
| 7002 | W-NU-11 | | | J3ZQ | B131J3ZQ2 | | |
| 7003-2 | W-WA-20 | 7103J60ZQ | B121J60ZQ2 | | | 7109L1YZQ | A134L11YZQ |
| 7003-3 | W-WA-16 | J63ZQ | B121J63ZQ2 | 7107J5ZQ | B131J5ZQ2 | L3YZQ | A134L34YZQ |
| 7007 | W-RI-12 | K1ZQ | A121K1KZQ | J11ZQ | B131J11ZQ22M | LYZQ | A134L01YZQ |
| 7062 White | W-CAP-10A | L1YZQ | A121L11YZQ | J21ZQ | B131J21ZQ22M | MD9AB | A134M1D9AB |
| | | L3YZQ | A121L34YZQ | J50ZQ | B131J50ZQ2 | MD9AVB | A134M1D9AVB |
| | | | | J53ZQ | B131J53ZQ2 | | |
| 7062 Black | W-CAP-10D | 7103LYZQ | A121L01YZQ | | | | |
| 7062 Red | W-CAP-10C | MD9AB | A121M1D9AB | 7107J60ZQ | B131J60ZQ2 | 7109MD9AV2B | A134M1D9AV2B |
| 7062 Orange | W-CAP-10F | MD9AVB | A121M1D9AVB | J63ZQ | B131J63ZQ2 | MD9V30B | A134M1D9V30B |
| 7062 Yellow | W-CAP-10G | MD9AV2B | A121M1D9AV2B | L1YZQ | A131L11YZQ | MD9V60B | A134M1D9V60B |
| 7062 Green | W-CAP-10H | MD9V30B | A121M1D9V30B | L3YZQ | A131L34YZQ | MDRQ | A134M1DRQ |
| | | | | LYZQ | A131L01YZQ | MDR2Q | A134M1DR2Q |
| 7062 Blue | W-CAP-10B | | | | | | |
| 7062 Brown | W-CAP-10E | 7103MD9V60B | A121M1D9V60B | 7107MD9AB | A131M1D9AB | 7109P1YZQ | A134P11YZQ |
| 7062 Grey | W-CAP-10J | MDRQ | A121M1DRQ | MD9AVB | A131M1D9AVB | P3YZQ | A134P31YZQ |
| 7071 | W-NU-10A | MDR2Q | A121M1DR2Q | MD9AV2B | A131M1D9AV2B ❶ | P4YZQ | A134P41YZQ |
| 7072 | W-RI-10 | P1YZQ | A121P11YZQ | MD9V30B | A131M1D9V30B | SCWZQ | A134S1CWZQ |
| | | P3YZQ | A121P31YZQ | | A131M1D9V60B | SHZQ | A134S1HZQ |
| 7089 White | W-KN-16A | | | | | | |
| 7089 Black | W-KN-16 | 7103P4YZQ | A121P41YZQ | 7107MDRQ | A131M1DRQ | 7109SPYZQ | A134S1H3ZQP |
| 7089 Red | W-KN-16B | SCWZQ | A121S1CWZQ | MDR2Q | A131M1DR2Q | SYCQ | A134S1YCQ |
| 7099 | W-NU-19B | SHZQ | A121S1HZQ | P1YZQ | A131P11YZQ | SYWBE | A134S1YWB |
| | | SPYZQ | A121S1H3ZQP | P3YZQ | A131P31YZQ | SYZB | A134S1YZB |
| | | SYCQ | A121S1YCQ | P4YZQ | A131P41YZQ | SYZQ | A134S1YZQ |
| 7101J1V3B | B123J71V3B2 | | | | | | |
| J1ZQ | B123J1ZQ2 | 7103SYWBE | A121S1YWB | 7107SCWZQ | A131S1CWZQ | 7201J1V3B | B223J71V3B2 |
| J2V3B | B123J2ZQ2 | SYZB | A121S1YZB | SHZQ | A131S1HZQ | J1ZQ | B223J1ZQ2 |
| J2ZQ | B123J2ZQ2 | SYZQ | A121S1YZQ | SPYZQ | A131S1H3ZQP | J2V3B | B223J2V3B2 |
| J3ZQ | B123J3ZQ2 | SYZ3QE | A121S1YZ3Q | SYCQ | A131S1YCQ | J2ZQ | B223J2ZQ2 |
| | | T1CWCYZQ | A121T11TWZQ | SYWBE | A131S1YWB | J3ZQ | B223J3ZQ2 |
| 7101J5ZQ | B123J5ZQ2 | | | | | | |
| J11ZQ | B123J11ZQ22M | 7103T1ZQ | A121T11TZQ | 7107SYZB | A131S1YZB | 7201J5ZQ | B223J5ZQ2 |
| J21ZQ | B123J21ZQ22M | | | SYZQ | A131S1YZQ | J11ZQ | B223J11ZQ22M |
| J50ZQ | B123J50ZQ2 | | | SYZ3QE | A131S1YZ3Q | J21ZQ | B223J21ZQ22M |
| J53ZQ | B123J53ZQ2 | | | | | J50ZQ | B223J50ZQ2 |
| | | | | | | J53ZQ | B223J53ZQ2 |
| 7101J60ZQ | B123J60ZQ2 | 7105J1ZQ | B127J1ZQ2 | 7108J1V3B | B126J71V3B2 | 7201J60ZQ | B223J60ZQ2 |
| J63ZQ | B126J63ZQ2 | J1V3B | B127J1V3B2 | J1ZQ | B126J1ZQ2 | J63ZQ | B223J63ZQ2 |
| K1ZQ | A123K1KZQ | J2ZQ | B127J2ZQ2 | J2V3B | B126J2V3B2 | K1ZQ | A223K1KZQ |
| L1YZQ | A123L11YZQ | J2V3B | B127J2V3B2 | J3ZQ | B126J3ZQ2 | L1YZQ | A223L11YZQ |
| L3YZQ | A123L34YZQ | | | | | L3YZQ | A223L34YZQ |
| | | | | | | | |
| 7101LYZQ | A123L01YZQ | 7105J5ZQ | B127J5ZQ2 | 7108J5ZQ | B126J5ZQ2 | 7201LYZQ | A223L01YZQ |
| MD9AB | A123M1D9AB | J11ZQ | B127J11ZQ22M | J11ZQ | B126J11ZQ22M | MD9AB | A223M1D9AB |
| MD9AVB | A123M1D9AVB | J21ZQ | B127J21ZQ22M | J21ZQ | B126J21ZQ22M | MD9AVB | A223M1D9AVB |
| MD9AV2B | A123M1D9AV2B | J50ZQ | B127J50ZQ2 | J50ZQ | B126J50ZQ2 | MD9AV2B | A223M1D9AV2B |
| MD9V30B | A123M1D9V30B | J53ZQ | B127J53ZQ2 | J53ZQ | B126J53ZQ2 | MD9V30B | A223M1D9V30B |
| | | | | | | | |
| 7101MD9V60B | A123M1D9V60B | 7105J60ZQ | B127J60ZQ2 | 7108J60ZQ | B126J60ZQ2 | 7201MD9V60B | A223M1D9V60B |
| MDRQ | A123M1DRQ | J63ZQ | B127J63ZQ2 | J63ZQ | B126J63ZQ2 | P1YZQ | A223P11YZQ |
| MDR2Q | A123M1DR2Q | L1YZQ | A127L11YZQ | L1YZQ | A126L11YZQ | P3YZQ | A223P31YZQ |
| P1YZQ | A123P11YZQ | L3YZQ | A127L34YZQ | L3YZQ | A126L34YZQ | P4YZQ | A223P41YZQ |
| P3YZQ | A123P31YZQ | | | LYZQ | A126L01YZQ | SCWZQ | A223S1CWZQ |
| | | | | | | | |
| 7101P4YZQ | A123P41YZQ | 7105MD9AB | A127M1D9AB | 7108MD9AB | A126M1D9AB | | |
| SCWZQ | A123S1CWZQ | MD9AVB | A127M1D9AVB | MD9AVB | A126M1D9AVB ❶ | | |
| SHZQ | A123S1HZQ | MD9AV2B | A127M1D9AV2B | MD9AV2B | A126M1D9AV2B ❶ | | |
| SPYZQ | A123S1H3ZQP | MD9V30B | A127M1D9V30B | MD9V30B | A126M1D9V30B | | |
| SYCQ | A123S1YCQ | MD9V60B | A127M1D9V60B | | | | |
| | | | | | | | |
| 7101SYWBE | A123S1YWB | 7105MDRQ | A127M1DRQ | 7108MDRQ | A126M1DRQ | 7201SHZQ | A223S1HZQ |
| SYZB | A123S1YZB | MDR2Q | A127M1DR2Q | | | SPYZQ | A223S1H3ZQP |
| SYZQ | A123S1YZQ | P1YZQ | A127P11YZQ | | | SYCQ | A223S1YCQ |
| | | P3YZQ | A127P31YZQ | | | SYWBE | A223S1YWB |

NOTE: Electroswitch J11 & J21 Series require different panel cut out than C&K.
 Electroswitch SC11 and SC12 Series require the use of style B bezel in order to fit in same panel cut out as C&K.
 For other combinations of C&K part numbers see Toggle and Rocker Switch Cross References on pages 64 and 65.
 ❶ Momentary position opposite that of C&K. See Note ❷ on page 64.

C&K to Electroswitch Cross Reference

STANDARD MINIATURE SWITCHES

| C&K Part No. | Electroswitch Part No. | C&K Part No. | Electroswitch Part No. | C&K Part No. | Electroswitch Part No. | C&K Part No. | Electroswitch Part No. |
|--|---|--|---|---|--|--|---|
| 7201SYZB SYZQ SYZ3QE T1CWYZQ T1ZQ | A223S1YZB A223S1YZQ A223S1YZ3Q A223T11TWZQ A223T11TZQ | 7205SHZQ SPYZQ SYCQ SYWBE SYZB | A227S1HZQ A227S1H3ZQP A227S1YCQ A227S1YWB A227S1YZB | 7208SHZQ SPYZQ SYWBE SYZB SYZQ | A226S1HZQ A226S1H3ZQP A226S1YWB A226S1YZB A226S1YZQ | 7213J11ZQ J21ZQ J50ZQ J53ZQ J60ZQ | B233J11ZQ22M B233J21ZQ22M B233J50ZQ2 B233J53ZQ2 B233J60ZQ2 |
| 7203J1V3B J2V3B J1ZQ J2ZQ J3ZQ | B221J71V3B2 B221J72V3B2 B221J1ZQ2 B221J2ZQ2 B221J3ZQ2 | 7205SYZQ SYZ3QE | A227S1YZQ A227S1YZ3Q | 7209L1YZQ L3YZQ LYZQ MD9AB MD9AVB | A234L11YZQ A234L34YZQ A234L01YZQ A234M1D9AB A234M1D9AVB | 7213J63ZQ L1YZQ L3YZQ LYZQ MD9AB | B233J63ZQ2 A233L11YZQ A233L34YZQ A233L01YZQ A233M1D9AB |
| 7203J5ZQ J11ZQ J21ZQ J50ZQ J53ZQ | B221J5ZQ2 B221J11ZQ22M B221J21ZQ22M B221J50ZQ2 B221J53ZQ2 | 7207J1V3B J1ZQ J2V3B J2ZQ J3ZQ | B231J71V3B2 B231J1ZQ2 B231J2V3B2 B231J2ZQ2 B231J3ZQ2 | 7209MD9AV2B MD9V30B MD9V60B P1YZQ P3YZQ | A234M1D9AV2B A234M1D9V30B A234M1D9V60B A234P11YZQ A234P31YZQ | 7213MD9AVB MD9AV2B MD9V30B MD9V60B P1YZQ | A233M1D9AVB ① A233M1D9AV2B ① A233M1D9V30B A233M1D9V60B A233P11YZQ |
| 7203J60ZQ J63ZQ K1ZQ L1YZQ L3YZQ | B221J60ZQ2 B221J63ZQ2 A221K11KZQ A221L11YZQ A221L34YZQ | 7207J5ZQ J11ZQ J21ZQ J50ZQ J53ZQ | B231J5ZQ2 B231J11ZQ22M B231J21ZQ22M B231J50ZQ2 B231J53ZQ2 | 7209P4YZQ SCWZQ SHZQ SPYZQ SYCQ | A234P31YZQ A234S1CWZQ A234S1HZQ A234S1H3ZQP A234S1YCQ | 7213P3YZQ P4YZQ SCWZQ SHZQ SPYZQ | A233P31YZQ A233P41YZQ A233S1CWZQ A233S1HZQ A233S1H3ZQP |
| 7203LYZQ MD9AB MD9AVB MD9AV2B MD9V30B | A221L01YZQ A221M1D9AB A221M1D9AVB A221M1D9AV2B A221M1D9V30B | 7207J60ZQ J63ZQ L1YZQ L3YZQ LYZQ | B231J60ZQ2 B231J63ZQ2 A231L11YZQ A231L34YZQ A231L01YZQ | 7209SYWBE SYZB SYZQ SYZ3QE | A234S1YWB A234S1YZB A234S1YZQ A234S1YZ3Q | 7213SYCQ SYWBE SYZB SYZQ SYZ3QE | A233S1YCQ A233S1YWB A233S1YZB A233S1YZQ A233S1YZ3Q |
| 7203MD9V60B P1YZQ P3YZQ P4YZQ SCWZQ | A221M1D9V60B A221P11YZQ A221P31YZQ A221P41YZQ A221S1CWZQ | 7207MD9AB MD9AVB MD9AV2B MD9V30B MD9V60B | A231M1D9AB A231M1D9AVB ① A231M1D9AV2B ① A231M1D9V30B A231M1D9V60B | 7211J1V3B J1ZQ J2V3B J2ZQ J3ZQ | B232J71V3B2 B232J1ZQ2 B232J72V3B2 B232J2ZQ2 B232J3ZQ2 | 7215J1V3B J1ZQ J2V3B J2ZQ J3ZQ | B235J7AV3B2 B235J1ZQ2 B235J2ZQ2 B235J2ZQ2 B235J3ZQ2 |
| 7203SHZQ SPYZQ SYCQ SYWBE SYZB | A221S1HZQ A221S1H3ZQP A221S1YCQ A221S1YWB A221S1YZB | 7207P1YZQ P3YZQ P4YZQ SCWZQ SHZQ | A231P11YZQ A231P31YZQ A231P41YZQ A231S1CWZQ A231S1HZQ | 7211J5ZQ J11ZQ J21ZQ J50ZQ J53ZQ | B232J5ZQ2 B232J11ZQ22M B232J21ZQ22M B232J50ZQ2 B232J53ZQ2 | 7215J5ZQ J11ZQ J21ZQ J50ZQ J53ZQ | B235J5ZQ2 B235J11ZQ22M B235J21ZQ22M B235J50ZQ2 B235J53ZQ2 |
| 7203SYZQ SYZ3QE T1CWYZQ T1ZQ | A221S1YZQ A221S1YZ3Q A221T11TWZQ A221T11TZQ | 7207SPYZQ SYCQ SYWBE SYZB SYZQ | A231S1H3ZQ A231S1YCQ A231S1WB A231S1YZB A231S1YZQ | 7211J60ZQ J63ZQ K1ZQ L1YZQ L3YZQ | B232J60ZQ2 B232J63ZQ2 A232K11KZQ A232L11YZQ A232L34YZQ | 7215J60ZQ J63ZQ L1YZQ L3YZQ LYZQ | B235J60ZQ2 B235J63ZQ2 A235L11YZQ A235L34YZQ A235L01YZQ |
| 7205J1V3B J2V3B J1ZQ J2ZQ J3ZQ | B227J71ZQ2 B227J72ZQ2 B227J1ZQ2 B227J2ZQ2 B227J3ZQ2 | 7208J1V3B J1ZQ J2V3B J2ZQ J3ZQ | B226J71V3B2 B226J1V3B2 B226J2V3B2 B226J1V3B2 B226J3ZQ2 | 7211LYZQ MD9AB MD9AVB MD9AV2B MD9V30B | A232L01YZQ A232M1D9AB A232M1D9AVB A232M1D9AV2B A232M1D9B30B | 7215MD9AB MD9AVB MD9AV2B MD9V30B MD9V60B | A235M1D9AB A235M1D9AVB A235M1D9AV2B A235M1D9V30B A235M1D9V60B |
| 7205J5ZQ J11ZQ J21ZQ J50ZQ J53ZQ | B227J5ZQ2 B227J11ZQ22M B227J21ZQ22M B227J50ZQ2 B227J53ZQ2 | 7208J5ZQ J11ZQ J21ZQ J50ZQ J53ZQ | B226J5ZQ2 B226J11ZQ22M B226J21ZQ22M B226J50ZQ2 B226J53ZQ2 | 7211MD9V60B P1YZQ P3YZQ P4YZQ SCWZQ | A232M1D9V60B A232P11YZQ A232P31YZQ A232P41YZQ A232S1CWZQ | 7215P1YZQ P3YZQ P4YZQ SCWZQ SHZQ | A235P11YZQ A235P31YZQ A235P41YZQ A235S1CWZQ A235S1HZQ |
| 7205J60ZQ J63ZQ L1YZQ L3YZQ LYZQ | B227J60ZQ2 B227J63ZQ2 A227L11YZQ A227L34YZQ A227L01YZQ | 7208J60ZQ J63ZQ L1YZQ L3YZQ LYZQ | B226J60ZQ2 B226J63ZQ2 A226L11YZB A226L34YZQ A226L01YZQ | 7211SHZQ P1YZQ SYCQ SYWBE SYZB | A232S1HZQ A232S1H3ZQP A232S1YCQ A232S1YWB A232S1YZB | 7215SPYZQ SYCQ SYWBE SYZB SYZQ | A235S1H3ZQ A235S1YCQ A235S1YWB A235S1YZB A235S1YZQ |
| 7205MD9AB MD9AVB MD9AV2B MD9V30B MD9V60B | A227M1D9AB A227M1D9AVB A227M1D9AV2B A227M1D9V30B A227M1D9V60B | 7208MD9AB MD9AVB MD9AV2B MD9V30B MD9V60B | A226M1D9AB A226M1D9AVB ① A226M1D9AV2B ① A226M1D9V30B A226M1D9V60B | 7211SYZQ SYZ3QE | A232S1YZQ A232S1YZ3Q | 7215SYZ3QE | A235S1YZ3Q |
| 7206P1YZQ P3YZQ P4YZQ SCWZQ | A227P11YZQ A227P31YZQ A227P41YZQ A227S1CWZQ | 7208P1YZQ P3YZQ P3YZQ SCWZQ | A226P11YZQ A226P31YZQ A226P41YZQ A226S1CWZQ | 7213J1V3B J1ZQ J2V3B J2ZQ J3ZQ | B233J71V3B2 B233J1ZQ2 B233J72V3B2 B233J2ZQ2 B233J3ZQ2 | 7301J1ZQ J2ZQ J3ZQ J5ZQ J11ZQ | B323J1ZQ2 B323J2ZQ2 B323J3ZQ2 B323J5ZQ2 B323J11ZQ22M |
| | | | | 7213J5ZQ | B233J5ZQ2 | 7301J21ZQ K1ZQ | B323J21ZQ22M A323K11KZQ |

NOTE: Electroswitch J11 & J21 Series require different panel cut out than C&K.

Electroswitch SC11 and SC12 Series require the use of style B bezel in order to fit in same panel cut out as C&K.

For other combinations of C&K part numbers see Toggle and Rocker Switch Cross References on pages 64 and 65.

① Momentary position opposite that of C&K. See Note ⑦ on page 64.

C&K to Electros witch Cross Reference
STANDARD MINIATURE SWITCHES

| C&K Part No. | Electros witch Part No. | C&K Part No. | Electros witch Part No. | C&K Part No. | Electros witch Part No. | C&K Part No. | Electros witch Part No. |
|--|---|--|---|---|---|---|---|
| 7301L1YZQ L3YZQ LYZQ MD9AVB MD9AV2B | A323L11YZQ A323L34YZQ A323L01YZQ A323M1D9AVB A323M1D9AV2B | 7307J1ZQ J2ZQ J3ZQ J5ZQ J11ZQ | B331J1ZQ2 B331J2ZQ2 B331J3ZQ2 B331J5ZQ2 B331J11ZQ22M | 7403J2ZQ J3ZQ J5ZQ J11ZQ J21ZQ | B421J2ZQ2 B421J3ZQ2 B421J5ZQ2 B421J11ZQ22M B421J21ZQ22M | 7407SYZB SYZQ SYZ3QE | A431S1YZB A431S1YZQ A431S1YZ3Q |
| 7301P1YZQ P3YZQ P4YZQ SCWZQ SHZQ | A323P11YZQ A323P31YZQ A323P41YZQ A323S1CWZQ A323S1HZQ | 7307J21ZQ L1YZQ L3YZQ LYZQ MD9AVB | B331J21ZQ22M A331L11YZQ A331L34YZQ A331L01YZQ A331M1D9AVB ① | 7403K1ZQ L1YZQ L3YZQ LYZQ MD9AVB | A421K11KZQ A421L11YZQ A421L34YZQ A421L01YZQ A421M1D9AVB | 7409L1YZQ L3YZQ LYZQ MD9AVB MC9AV2B | A434L11YZQ A434L34YZQ A434L01YZQ A434M1D9AVB A434M1D9AV2B |
| 7301SPYZQ SYCQ SYWBE SYZB SYZQ | A323S1H3ZQP A323S1YCQ A323S1YWB A323S1YZB A323S1YZQ | 7307MD9AV2B P1YZQ P3YZQ P3YZQ SCWZQ | A331M1D9AV2B ① A331P11YZQ A331P31YZQ A331P41YZQ A331S1CWZQ | 7403MD9AV2B P1YZQ P3YZQ P4YZQ SCWZQ | A421M1D9AV2B A421P11YZQ A421P31YZQ A421P41YZQ A421S1CWZQ | 7409P1YZQ P3YZQ P4YZQ SCWZQ SHZQ | A434P11YZQ A434P31YZQ A434P41YZQ A434S1CWZQ A434S1HZQ |
| 7301SYZ3QE T1CWYZQ | A323S1YZ3Q A323T11TWZQ | 7307SHZQ SPYZQ SYCQ SYWBE SYZB | A331S1HZQ A331S1H3ZQP A331S1YCQ A331S1YWB A331S1YZB | 7403SHZQ SPYZQ SYCQ SYWBE SYZB | A421S1HZQ A421S1H3ZQP A421S1YCQ A421S1YWB A421S1YZB | 7409SPYZQ SYCQ SYWBE SYZB SYZQ | A434S1H3ZQP A434S1YCQ A434S1YWB A434S1YZB A434S1YZQ |
| 7303J1ZQ J2ZQ J3ZQ J5ZQ J11ZQ | B321J1ZQ2 B321J2ZQ2 B321J3ZQ2 B321J5ZQ2 B321J11ZQ22M | 7307SYZQ SYZ3QE | A331S1YZQ A331S1YZ3Q | 7403SYZQ SYZ3QE | A421S1YZQ A421S1YZ3Q | 7411J1ZQ J2ZQ J3ZQ J5ZQ J11ZQ | B432J1ZQ2 B432J2ZQ2 B432J3ZQ2 B432J5ZQ2 B432J11ZQ22M |
| 7303J21ZQ K1ZQ L1YZQ L3YZQ LYZQ | B321J21ZQ22M A321K11KZQ A321L11YZQ A321L34YZQ A321L01YZQ | 7309L1YZQ L3YZQ LYZQ MD9AVB MD9AV2B | A334L11YZQ A334L34YZQ A334L01YZQ A334M1D9AVB A334M1D9AV2B | 7405J1ZQ J2ZQ J3ZQ J5ZQ J11ZQ | B427J1ZQ2 B427J2ZQ2 B427J3ZQ2 B427J5ZQ2 B427J11ZQ22M | 7411J21ZQ L1YZQ L3YZQ LYZQ MD9AVB | B432J21ZQ22M A432L11YZQ A432L34YZQ A432L01YZQ A432M1D9AVB |
| 7303MD9AVB MD9AV2B P1YZQ P3YZQ P4YZQ | A321M1D9AVB A321M1D9AV2B A321P11YZQ A321P31YZQ A321P41YZQ | 7309P1YZQ P3YZQ P4YZQ SCWZQ SHZQ | A334P11YZQ A334P31YZQ A334P41YZQ A334S1CWZQ A334S1HZQ | 7405J21ZQ L1YZQ L3YZQ LYZQ MD9AVB | B427J21ZQ22M A427L11YZQ A427L34YZQ A427L01YZQ A427M1D9AVB | 7411MD9AV2B P1YZQ P3YZQ P4YZQ SCWZQ | A432M1D9AV2B A432P11YZQ A432P31YZQ A432P41YZQ A432S1CWZQ |
| 7303SCWZQ SHZQ SPYZQ SYCQ SYWBE | A321S1CWZQ A321S1HZQ A321S1H3ZQP A321S1YCQ A321S1YWB | 7309SPYZQ SYCQ SYWBE SYZB SYZQ | A334S1H3ZQP A334S1YCQ A334S1YWB A334S1YZB A334S1YZQ | 7405MD9AV2B P1YZQ P3YZQ P4YZQ SCWZQ | A427M1D9AV2B A427P11YZQ A427P31YZQ A427P41YZQ A427S1CWZQ | 7411SHZQ SPYZQ SYCQ SYWBE SYZB | A432S1HZQ A432S1H3ZQP A432S1YCQ A432S1YWB A432S1YZB |
| 7303SYZB SYZQ SYZ3QE | A321S1YZB A321S1YZQ A321S1YZ3Q | 7309SYZ3QE | A334S1YZ3Q | 7405SHZQ SPYZQ SYCQ SYWBE SYZB | A427S1HZQ A427S1H3ZQP A427S1YCQ A427S1YWB A427S1YZB | 7411SYZQ SYZ3QE | A432S1YZQ A432S1YZ3Q |
| 7305J1ZQ J2ZQ J3ZQ J5ZQ J11ZQ | B327J1ZQ2 B327J2ZQ2 B327J3ZQ2 B327J5ZQ2 B327J11ZQ22M | 7401J1ZQ J2ZQ J3ZQ J5ZQ J11ZQ | B423J1ZQ2 B423J2ZQ2 B423J3ZQ2 B423J5ZQ2 B423J11ZQ22M | 7405SYZQ SYZ3QE | A427S1YZQ A427S1YZ3Q | 7413J1ZQ J2ZQ J3ZQ J5ZQ J11ZQ | B433J1ZQ2 B433J2ZQ2 B433J3ZQ2 B433J5ZQ2 B433J11ZQ22M |
| 7305J21ZQ L1YZQ L3YZQ LYZQ MD9AVB | B327J21ZQ22M A321L11YZQ A321L34YZQ A321L01YZQ A321M1D9AVB | 7401MD9AVB MD9AV2B P1YZQ P3YZQ P4YZQ | B423J21ZQ22M A423K11KZQ A423L11YZQ A423L34YZQ A423L01YZQ | 7407J1ZQ J2ZQ J3ZQ J5ZQ J11ZQ | B431J1ZQ2 B431J2ZQ2 B431J3ZQ2 B431J5ZQ2 B431J11ZQ22M | 7413J21ZQ L1YZQ L3YZQ LYZQ MD9AVB | B433J21ZQ22M A433L11YZQ A433L34YZQ A433L01YZQ A433M1D9AVB ① |
| 7305MD9AV2B P1YZQ P3YZQ P4YZQ SCWZQ | A321M1D9AV2B A321P11YZQ A321P31YZQ A321P41YZQ A321S1CWZQ | 7401SCWZQ SHZQ SPYZQ SYCQ SYWBE | A423S1CWZQ A423S1HZQ A423S1H3ZQP A423S1YCQ A423S1YWB | 7407J21ZQ L1YZQ L3YZQ LYZQ MD9AVB | B431J21ZQ22M A431L11YZQ A431L34YZQ A431L01YZQ A431M1D9AVB ① | 7413MD9AV2B P1YZQ P3YZQ P4YZQ SCWZQ | A433M1D9AV2B ① A433P11YZQ A433P31YZQ A433P41YZQ A433S1CWZQ |
| 7305SHZQ SPYZQ SYCQ SYWBE SYZB | A321S1HZQ A321S1H3ZQ A321S1YCQ A321S1YWB A321S1YZB | 7401SYZB SYZQ SYZ3QE T1CWYZQ | A423S1YZB A423S1YZQ A423S1YZ3Q A423T11TWZQ | 7407MD9AV2B P1YZQ P3YZQ P4YZQ SCWZQ | A431M1D9AV2B ① A431P11YZQ A431P31YZQ A431P41YZQ A431S1CWZQ | 7413SHZQ SPYZQ SYCQ SYWBE SYZB | A433S1HZQ A433S1H3ZQP A433S1YCQ A433S1YWB A433S1YZB |
| 7305SYZQ SYZ3QE | A321S1YZQ A321S1YZ3Q | 7403J1ZQ | B421J1ZQ2 | 7407SHZQ SPYZQ SYCQ SYWBE | A431S1HZQ A431S1H3ZQP A431S1YCQ A431S1YWB | 7413SYZQ | A433S1YZQ |

NOTE: Electros witch J11 & J21 Series require different panel cut out than C&K.
 Electros witch SC11 and SC12 Series require the use of style B bezel in order to fit in same panel cut out as C&K.
 For other combinations of C&K part numbers see Toggle and Rocker Switch Cross References on pages 64 and 65.
 ① Momentary position opposite that of C&K. See Note ⑦ on page 64.

C&K to Electroswitch Cross Reference
STANDARD MINIATURE SWITCHES

| C&K Part No. | Electroswitch Part No. | C&K Part No. | Electroswitch Part No. | C&K Part No. | Electroswitch Part No. | C&K Part No. | Electroswitch Part No. |
|--------------|------------------------|--------------|------------------------|--------------|------------------------|--------------|------------------------|
| 7413SYZ3QE | A43S1Y23Q | 7982 White | W-KN-18A | 8125ABE | PS9-100B | 8221V4GE | PS81-200G |
| 7415J1ZQ | B435J1ZQ2 | 7982 Black | W-KN-18 | AV2BE | PS11-100B | V6GE | PS82-200G |
| J2ZQ | B435J2ZQ2 | 7982 Red | W-KN-18B | HCBE | PS2-100B | V7GE | PS83-200G |
| J3ZQ | B435J3ZQ2 | | | HZBE | PS1-100B | V40GE | PS71-200G |
| J5ZQ | B435J5ZQ2 | 8025 | SW2AA10 | V3CBE | PS8-100B | V60GE | PS72-200G |
| J11ZQ | B435J11ZQ22M | 8121AGE | PS9-100G | | | | |
| 7415J21ZQ | B435J21ZQ22M | AV2GE | PS11-100G | 8125V4BE | PS81-100B | 8221V70GE | PS73-200G |
| L1YZQ | A435L11YZQ | D8R2Q | PS5-100Q | V6BE | PS82-100B | | |
| L3YZQ | A435L34YZQ | D8RQ | PS6-100Q | V7BE | PS83-100B | 8225ABE | PS9-200B |
| LYZQ | A435L01YZQ | | | V30CBE | PS7-100B | AV2BE | PS11-200B |
| MD9AVB | A435M1D9AVB | 8121HCQE | PS2-100Q | V40BE | PS71-100B | HCBE | PS2-200B |
| | | HZQE | PS1-100Q | | | HZBE | PS1-200B |
| | | J81CBE | PS16-1122B | 8125V60BE | PS72-100B | V3CBE | PS8-200B |
| | | J81CQE | PS16-1122Q | V70BE | PS73-100B | | |
| | | J81ZBE | PS14-1122B | | | | |
| 7415MD9AV2B | A435M1D9AV2B | | | 8161SHZQ | PB-123 | 8225V4BE | PS81-200B |
| P1YZQ | A435P11YZQ | | | 8168SHZQ | PB-126 | V6BE | PS82-200B |
| P3YZQ | A435P31YZQ | | | | | V7BE | PS83-200B |
| P4YZQ | A435P41YZQ | 8121J81ZQE | PS14-1122Q | 8221AGE | PS9-200G | V30CBE | PS7-200B |
| SCWZQ | A435S1CWZQ | J82CBE | PS16-1124B | AV2GE | PS11-200G | V40BE | PS71-200B |
| | | J82CQE | PS16-1124Q | HCQE | PS2-200Q | | |
| | | J82ZBE | PS14-1124B | HZQE | PS1-200Q | 8225V60BE | PS72-200B |
| 7415SHZQ | A435S1HZQ | J82ZQE | PS14-1124Q | J81CBE | PS16-2122B | V70BE | PS73-200B |
| SPYZQ | A435S1H3ZQP | | | | | | |
| SYCQ | A435S1YCQ | 8121J83CBE | PS17-1122B | 8221J81CQE | PS16-2122Q | 8632ZQ | SA1BV20 |
| SYWBE | A435S1YWB | J83CQE | PS17-1122Q | J81ZBE | PS14-2122B | | |
| SYZB | A435S1YZB | J83ZBE | PS15-1122B | J81ZQE | PS14-2122Q | 8633ZQ | SA1BW20 |
| | | J83ZQE | PS15-1122Q | J82CBE | PS16-2124B | | |
| 7415SYZQ | A435S1YZQ | J84CBE | PS17-1124B | J82CQE | PS16-2124Q | | |
| SYZ3QE | A435S1YZ3Q | | | | | | |
| | | | | | | | |
| 7527 White | W-KN-17A | 8121J84CQE | PS17-1124Q | 8221J82ZBE | PS14-2124B | | |
| 7527 Black | W-KN-17 | J84ZBE | PS15-1124B | J82ZQE | PS14-2124Q | | |
| 7527 Red | W-KN-17B | J84ZQE | PS15-1124Q | J83CBE | PS17-2122B | | |
| 7572 | W-RI-16 | V4GE | PS81-100G | J83CQE | PS17-2122Q | | |
| 7752 | 15-1047 | V6GE | PS82-100G | J83ZBE | PS15-2122B | | |
| | | | | | | | |
| 7785 | W-TL-124 | | | 8221J83ZQE | PS15-2122Q | | |
| 7890 White | W-BZ-12A | 8131V7GE | PS83-100G | J84CBE | PS17-2124B | | |
| 7890 Black | W-BZ-12 | V40GE | PS71-100G | J83CQE | PS17-2124Q | | |
| 7890 Red | W-BZ-12B | V60GE | PS72-100G | J84ZBE | PS15-2124B | | |
| 7969 | W-U-12 | V70GE | PS73-100G | J84ZQE | PS15-2124Q | | |

NOTE: Electroswitch J11 & J21 Series require different panel cut out than C&K.
 Electroswitch SC11 and SC12 Series require the use of style B bezel in order to fit in same panel cut out as C&K.
 For other combinations of C&K part numbers see Toggle and Rocker Switch Cross References on pages 64 and 65.

C&K to Electroswitch Cross Reference
WASHABLE MINIATURE SWITCHES

| C&K Part No. | Electroswitch Part No. | C&K Part No. | Electroswitch Part No. | C&K Part No. | Electroswitch Part No. | C&K Part No. | Electroswitch Part No. |
|--------------|------------------------|--------------|------------------------|--------------|------------------------|--------------|------------------------|
| E101J1AB | WR123J71AB2 | E103J1AB | WR121J71AB2 | E103SD1V30B | WT121S1D1V30B | E105SD1V30B | WT127S1D1V30B |
| J1AV2B | WR123J71AV2B2 | J1AV2B | WR121J71AV2B2 | E103SD1ZQ | WT121S1D1ZQ | SD1ZQ | WT127S1D1ZQ |
| J1V3B | WR123J71V3B2 | J1V3B | WR121J71V3B2 | E103SYZQ | WT121S1YZQ | SYZQ | WT127S1YZQ |
| J1ZQ | WR123J1ZQ2 | J1ZQ | WR121J1ZQ2 | | | | |
| J2AB | WP123J72AB2 | J2AB | WP121J72AB2 | E105J1AB | WR127J71AB2 | E107J1AB | WR131J71AB2 |
| | | | | J1AV2B | WR127J71AV2B2 | J1AV2B | WR131J71AV2B2 ① |
| E101J2AV2B | WP123J7SAV2B2 | E103J2AV2B | WP121J7219V2B2 | J1V3B | WR127J71V3B2 | J1V3B | WR131J71V3B2 |
| J2V3B | WP123J72V3B2 | J2V3B | WP121J72V3B2 | J1ZQ | WR127J1ZQ2 | J1ZQ | WR131J1ZQ2 |
| J2ZQ | WP123J2ZQ2 | J2ZQ | WP121J2ZQ | J2AB | WP127J72AB2 | J2AB | WP131J72AB2 |
| L3D1ZQ | WT123L134D1ZQ | L3D1ZQ | WT121L34D1ZQ | E105J2AV2B | WP127J72AV2B2 | E107J2AV2B | WP131J72AV2B2 ① |
| L3YZQ | WT123L34YZQ | L3YZQ | WT121L34YZQ | J2V3B | WP127J72V3B2 | J2V3B | WP131J72V3B2 |
| | | | | J2ZQ | WP127J2ZQ2 | J2ZQ | WP131J2ZQ2 |
| E101MD1AB | WT123M1D1AB | E103MD1AB | WT121M1D1AB | L3D1ZQ | WT127L34D1ZQ | L3D1ZQ | WT131L34D1ZQ |
| MD1AV2B | WT123M1D1AV2B | MD1AV2B | WT121M1D1AV2B | L3YZQ | WT127L34YZQ | L3YZQ | WT131L34YZQ |
| MD1V30B | WT123M1D1V30B | MD1V30B | WT121M1D1V30B | | | | |
| MD1ZQ | WT123M1D1ZQ | MD1ZQ | WT121M1D1ZQ | E105MD1AB | WT127M1D1AB | E107MD1AB | WT131M1D1AB |
| MYZQ | WT123M1YZQ | MYAB | WT121M1YAB | MD1AV2B | WT127M1D1AV2B | MD1AV2B | WT131M1D1AV2B ① |
| | | | | MD1V30B | WT127M1D1V30B | MD1V30B | WT131M1D1V30B |
| E101SD1AB | WT123S1D1AB | E103MYAV2B | WT121M1YAV2B | MD1ZQ | WT127M1D1ZQ | MD1ZQ | WT131M1D1ZQ |
| SD1AV2B | WT123S1D1AV2B | MYV30B | WT121M1YV30B | MYZQ | WT127M1YZQ | MYZQ | WT131M1YZQ |
| SD1V30B | WT123S1D1V30B | MYZQ | WT121M1YZQ | | | | |
| SD1ZQ | WT123S1D1ZQ | SD1AB | WT121S1D1AB | E105SD1AB | WT127S1D1AB | E107SD1AB | WT131S1D1AB |
| ZQ | WT123S1YZQ | SD1AV2B | WT121S1D1AV2B | SD1AV2B | WT127S1D1AV2B | SD1AV2B | WT131S1D1AV2B ① |

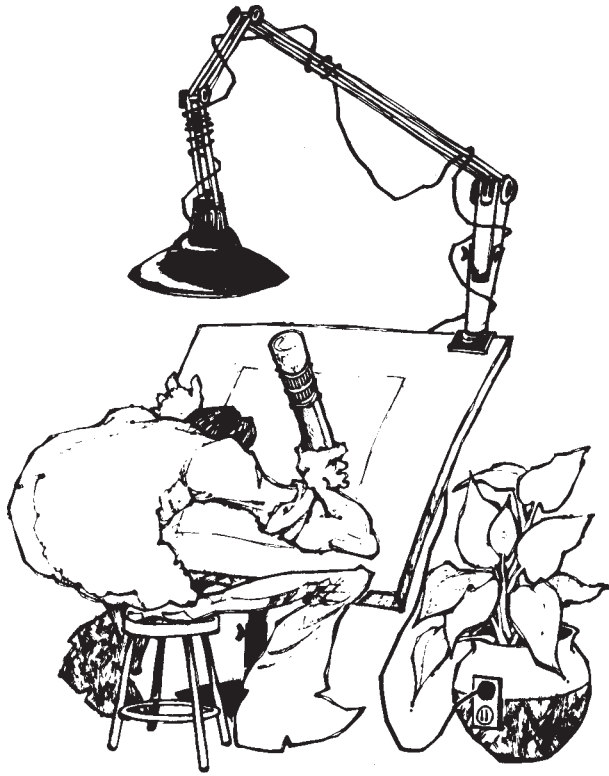
NOTE: For other combinations of C&K part numbers see Washable Toggle and Rocker Switch Cross References on page 66.
 ① Momentary position opposite that of C&K. See Notes ⑤ or ⑦ on page 66.

C&K to Electroswitch Cross Reference
STANDARD MINIATURE SWITCHES

| C&K Part No. | Electroswitch Part No. | C&K Part No. | Electroswitch Part No. | C&K Part No. | Electroswitch Part No. |
|--|--|--|--|--|--|
| E107SD1V30B SD1ZQ SYZQ | WT131S1D1V30B WT131S1D1ZQ WT131S1YZQ | E205J2AV2B J2V3B J2ZQ L3D1ZQ L3YZQ | WP227J72AV2B2 WP227J72V3B2 WP227J2ZQ2 WT227L34D1ZQ WT227L34YZQ | E211MD1AB MD1AV2B MD1V30B MD1ZQ MYZQ | WT232M1D1AB WT232M1D1AV2B WT232M1D1V30B WT232M1D1ZQ WT232M1YZQ |
| E108J1AB J1AV2B J1V3B J1ZQ J2AB | WR126J71AB2 WR126J71AV2B2 ❶ WR126J71V3B2 WR126J71ZQ2 WP126J72AB2 | E205MD1AB MD1AV2B MD1V30B MD1ZQ MYZQ | WT227M1D1AB WT227M1D1AV2B WT227M1D1V30B WT227M1D1ZQ WT227M1YZQ | E211SD1AB SD1AV2B SD1V30B SD1ZQ SYZQ | WT232S1D1AB WT232S1D1AV2B WT232S1D1V30B WT232S1D1ZQ WT232S1YZQ |
| E108J2AV2B J2V3B J2ZQ L3D1ZQ L3YZQ | WP126J72AV2B2 ❶ WP126J72V3B2 WP126J2ZQ2 WT126L34D1ZQ WT126L34YZQ | E205SD1AB SD1AV2B SD1V30B SD1ZQ SYZQ | WT227S1D1AB WT227S1D1AV2B WT227S1D1V30B WT227S1D1ZQ WT227S1YZQ | E215J1AB J1AV2B J1V3B J1ZQ J2AB | WR235J71AB2 WR235J71AV2B2 WR235J71V3B2 WR235J1ZQ2 WP235J72AB2 |
| E108MD1AB MD1AV2B MD1V30B MD1ZQ MYZQ | WT126M1D1AB WT126M1D1AV2B ❶ WT126M1D1V30B WT126M1D1ZQ WT126M1YZQ | E207J1AB J1AV2B J1V3B J1ZQ J2AB | WR231J71AB2 WR231J71AV2B2 ❶ WR231J71V3B2 WR231J1ZQ2 WP231J72AB2 | E215J2AV2B J2V3B J2ZQ L3D1ZQ L3YZQ | WP235J72AV2B2 WP235J72V3B2 WP235J2ZQ2 WT235L34D1ZQ WT235L34YZQ |
| E108SD1AB SD1AV2B SD1V30B SD1ZQ SYZQ | WT126S1D1AB WT126S1D1AV2B ❶ WT126S1D1V30B WT126S1D1ZQ WT126S1YZQ | E207J2AV2B J2V3B J2ZQ L3D1ZQ L3YZQ | WP231J72AV2B2 ❶ WP231J72V3B2 WP231J2ZQ2 WT231L34D1ZQ WT231L34YZQ | E215MD1AB MD1AV2B MD1V30B MD1ZQ MYZQ | WT235M1D1AB WT235M1D1AV2B WT235M1D1V30B WT235M1D1ZQ WT235M1YZQ |
| E201J1AB J1AV2B J1V3B J1ZQ J2AB | WR223J71AB2 WR223J71AV2B2 WR223J71V3B2 WR223J1ZQ2 WP223J72AB2 | E207MD1AB MD1AV2B MD1V30B MD1ZQ MYZQ | WT231M1D1AB WT231M1D1AV2B ❶ WT231M1D1V30B WT231M1D1ZQ WT231M1YZQ | E215SD1AB SD1AV2B SD1V30B SD1ZQ SYZQ | WT235S1D1AB WT235S1D1AV2B WT235S1D1V30B WT235S1D1ZQ WT235S1YZQ |
| E201J2AV2B J2V3B J2ZQ L3D1ZQ L3YZQ | WP223J72AV2B2 WP223J72V3B2 WP223J2ZQ2 WT223L34D1ZQ WT223L34YZQ | E207SD1AB SD1AV2B SD1V30B SD1ZQ SYZQ | WT231S1D1AB WT231S1D1AV2B ❶ WT231S1D1V30B WT231S1D1ZQ WT231S1YZQ | | |
| E201MD1AB MD1AV2B MD1V30B MD1ZQ MYZQ | WT223M1D1AB WT223M1D1AV2B WT223M1D1V30B WT223M1D1ZQ WT223M1YZQ | E208J1AB J1AV2B J1V3B J1ZQ J2AB | WR226J71AB2 WR226J71AV2B2 ❶ WR226J71V3B2 WR226J71ZQ2 WP226J72AB2 | | |
| E201SD1AB SD1AV2B SD1V30B SD1ZQ SYZQ | WT223S1D1AB WT223S1D1AV2B WT223S1D1V30B WT223S1D1ZQ WT223SZ1YZQ | E209J2AV2B J2V3B J2ZQ L3D1ZQ L36ZQ | WR226J72AV2B2 ❶ WR226J72V3B2 WP226J2ZQ2 WT226L34D1ZQ WT226L34YZQ | | |
| E203J1AB J1AV2B J1V3B J1ZQ J2AB | WR221J71AB2 WR221J71AV2B2 WR221J71V3B2 WR221J1ZQ2 WP221J72AB2 | E208MD1AB MD1AV2B MD1V30B MD1ZQ MYZQ | WT226M1D1AB WT226M1D1AV2B ❶ WT226M1D1V30B WT226M1D1ZQ WT226M1YZQ | | |
| E203J2AV2B J2V3B J2ZQ L3D1ZQ L3YZQ | WP221J72AV2B2 WP221J72V3B2 WP221J2ZQ WT221L34D1ZQ WT221L34YZQ | E208SD1AB SD1AV2B SD1V30B SD1ZQ SYZQ | WT226S1D1AB WT226S1D1AV2B ❶ WT226S1D1V30B WT226S1D1ZQ WT226S1YZQ | | |
| E203MD1AB MD1AV2B MD1V30B MD1ZQ MYZQ | WT221M1D1AB WT221M1D1AV2B WT221M1D1V30B WT221M1D1ZQ WT221M1YZQ | E211J1AB J1AV2B J1V3B J1ZQ J2AB | WR232J71AB2 WR232J71AV2B2 WR232J71V3B2 WR232J1ZQ2 WP232J72AB2 | | |
| E203SD1AB SD1AV2B SD1V30B SD1ZQ SYZQ | WT221S1D1AB WT221S1D1AV2B WT221S1D1V30B WT221S1D1ZQ WT221S1YZQ | E211J2AV2B J2V3B J2ZQ L3D1ZQ L3YZQ | WP232J72AV2B2 WP232J72V3B2 WP232J2ZQ2 WT232L34D1ZQ WT232L34YZQ | | |
| E205J1AB J1AV2B J1V3B J1ZQ J2AB | WR227J71AB2 WR227J71AV2B2 WR227J71V3B2 WR227J1ZQ2 WP227J72AB2 | | | | |

NOTE: For other combinations of C&K part numbers see Washable Toggle and Rocker Switch Cross References on page 66.

❶ Momentary position opposite that of C&K. See Notes ❹ or ❺ on page 66.

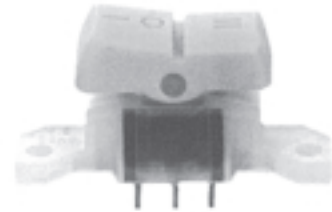
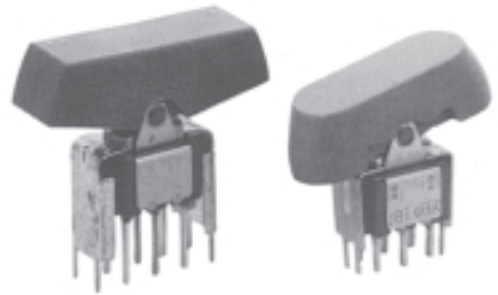
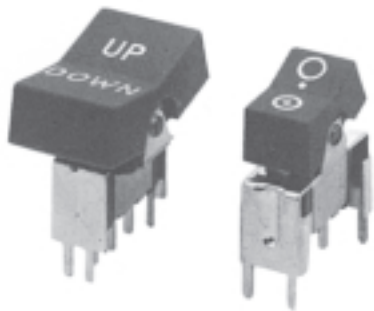


Designers' Choice...

This catalog represents a broad selection of popular switches, associated hardware and accessories available through a national network of Authorized Distributors.

But our capabilities extend well beyond the standard — into the "special" and even the "proprietary". The point is — if you haven't found what you're looking for in these standard selections — we'll build it for you.

Like one of these...



A whole lot more than prompt and field help. There's proven



availability, quality assurance, design innovation, too!

Компания «Life Electronics» занимается поставками электронных компонентов импортного и отечественного производства от производителей и со складов крупных дистрибьюторов Европы, Америки и Азии.

С конца 2013 года компания активно расширяет линейку поставок компонентов по направлению коаксиальный кабель, кварцевые генераторы и конденсаторы (керамические, пленочные, электролитические), за счёт заключения дистрибьюторских договоров

Мы предлагаем:

- Конкурентоспособные цены и скидки постоянным клиентам.
- Специальные условия для постоянных клиентов.
- Подбор аналогов.
- Поставку компонентов в любых объемах, удовлетворяющих вашим потребностям.
- Приемлемые сроки поставки, возможна ускоренная поставка.
- Доставку товара в любую точку России и стран СНГ.
- Комплексную поставку.
- Работу по проектам и поставку образцов.
- Формирование склада под заказчика.
- Сертификаты соответствия на поставляемую продукцию (по желанию клиента).
- Тестирование поставляемой продукции.
- Поставку компонентов, требующих военную и космическую приемку.
- Входной контроль качества.
- Наличие сертификата ISO.

В составе нашей компании организован Конструкторский отдел, призванный помогать разработчикам, и инженерам.

Конструкторский отдел помогает осуществить:

- Регистрацию проекта у производителя компонентов.
- Техническую поддержку проекта.
- Защиту от снятия компонента с производства.
- Оценку стоимости проекта по компонентам.
- Изготовление тестовой платы монтаж и пусконаладочные работы.



Тел: +7 (812) 336 43 04 (многоканальный)

Email: org@lifeelectronics.ru