

---

**Dual 13x16 Matrix Head Ink Jet Driver**

---

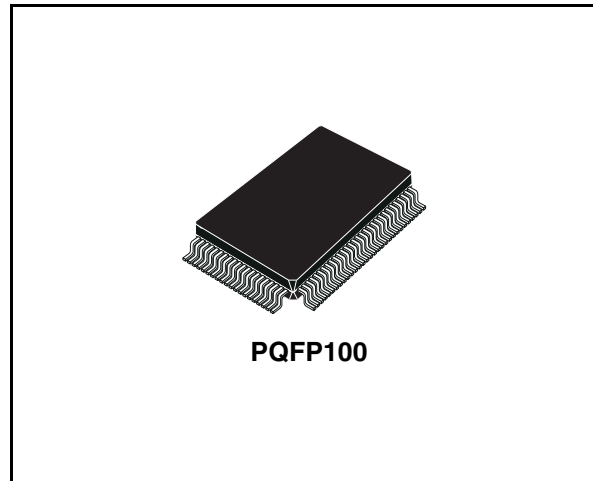
**Features**

- DRIVES TWO 13X16 MATRIX HEADS
- HEAD TEMPERATURE SENSING
- POWER UP SYSTEM
- ELECTRICAL NOZZLE CHECK
- 8 BIT A/D
- 5 BIT D/A
- $\pm$  4KV ESD PROTECTED OUTPUTS

**Description**

L6452 is a device designed to drive two 13x16 matrix ink jet print heads in printer applications.

The output stage is able to source simultaneously 400 mA on each of the 16 power lines (columns) with a duty cycle of 33% in normal printing and 66% in head pre-heating. On the address lines (rows), the load is only capacitive (MOS FET driving capability). The driver can control two print heads, but only one is active at a time. The address scanning counter is included and can be disabled to allow a different scanning scheme.



In order to avoid output activation during the supply transient, an internal power-up system is implemented.

As supporting function, L6452 is capable of sensing the head silicon temperature and to electrically check each nozzle.

The device is also integrating a thermal protection.

**Order codes**

Part number	Op. Temp range, °C	Package	Packing
E-L6452	0 to 70	PQFP100	Tray
L6452DIE8	0 to 70	DIE	--

# Contents

- 1     Block diagrams ..... 3**
- 2     Pin description ..... 5**
- 3     Electrical specifications ..... 8**
  - 3.1   Absolute maximum ratings ..... 8
  - 3.2   DC Electrical characteristics ..... 8
  - 3.3   Counter Truth Table ..... 12
  - 3.4   Decoder Truth Table ..... 13
- 4     Print Head Temperature Control Part ..... 14**
  - 4.1   Introduction ..... 14
  - 4.2   Print Head Block Diagram (*Figure 5.*) ..... 14
- 5     Package information ..... 20**
- 6     Revision history ..... 21**

# 1 Block diagrams

Figure 1. Block diagram

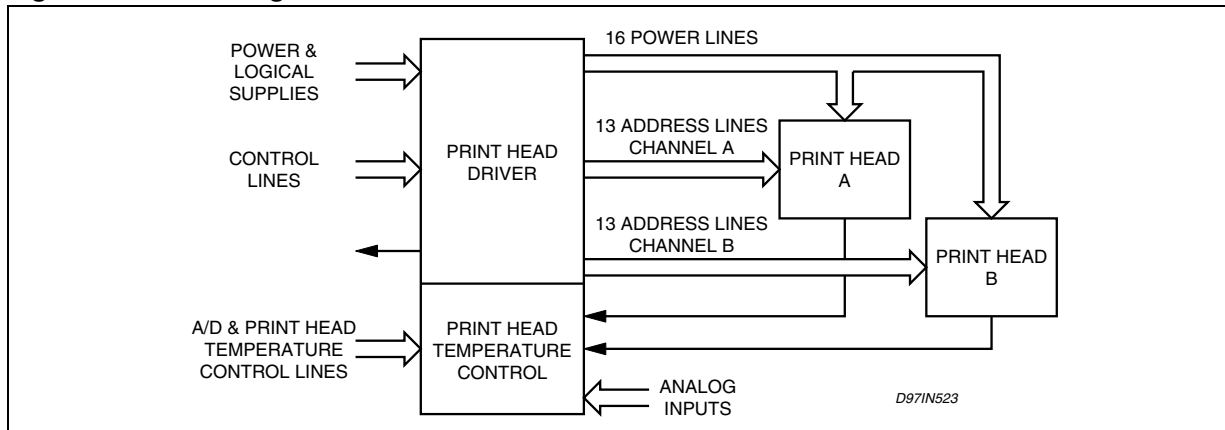


Figure 2. Block Diagram: Power Line Output Stage.

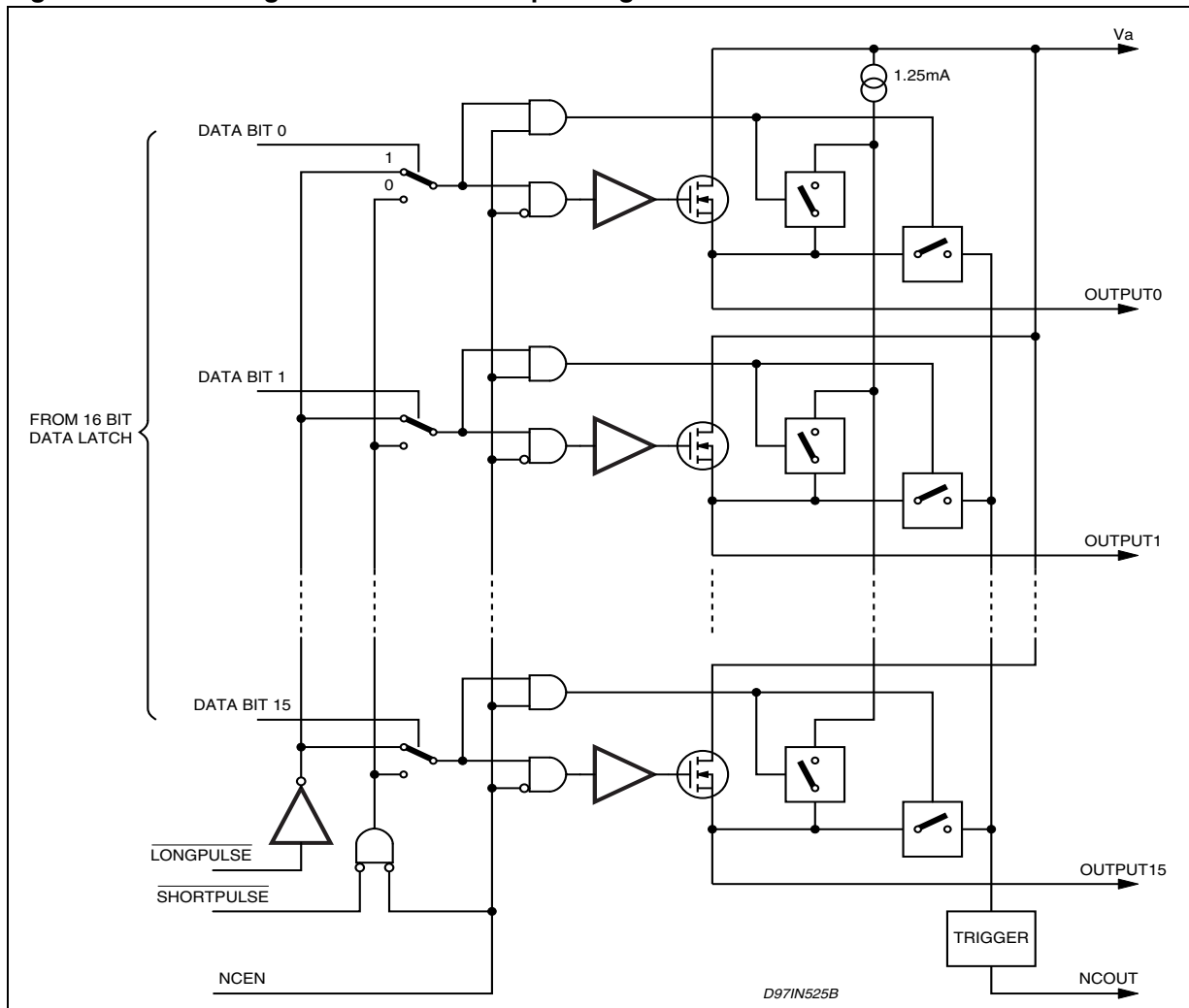
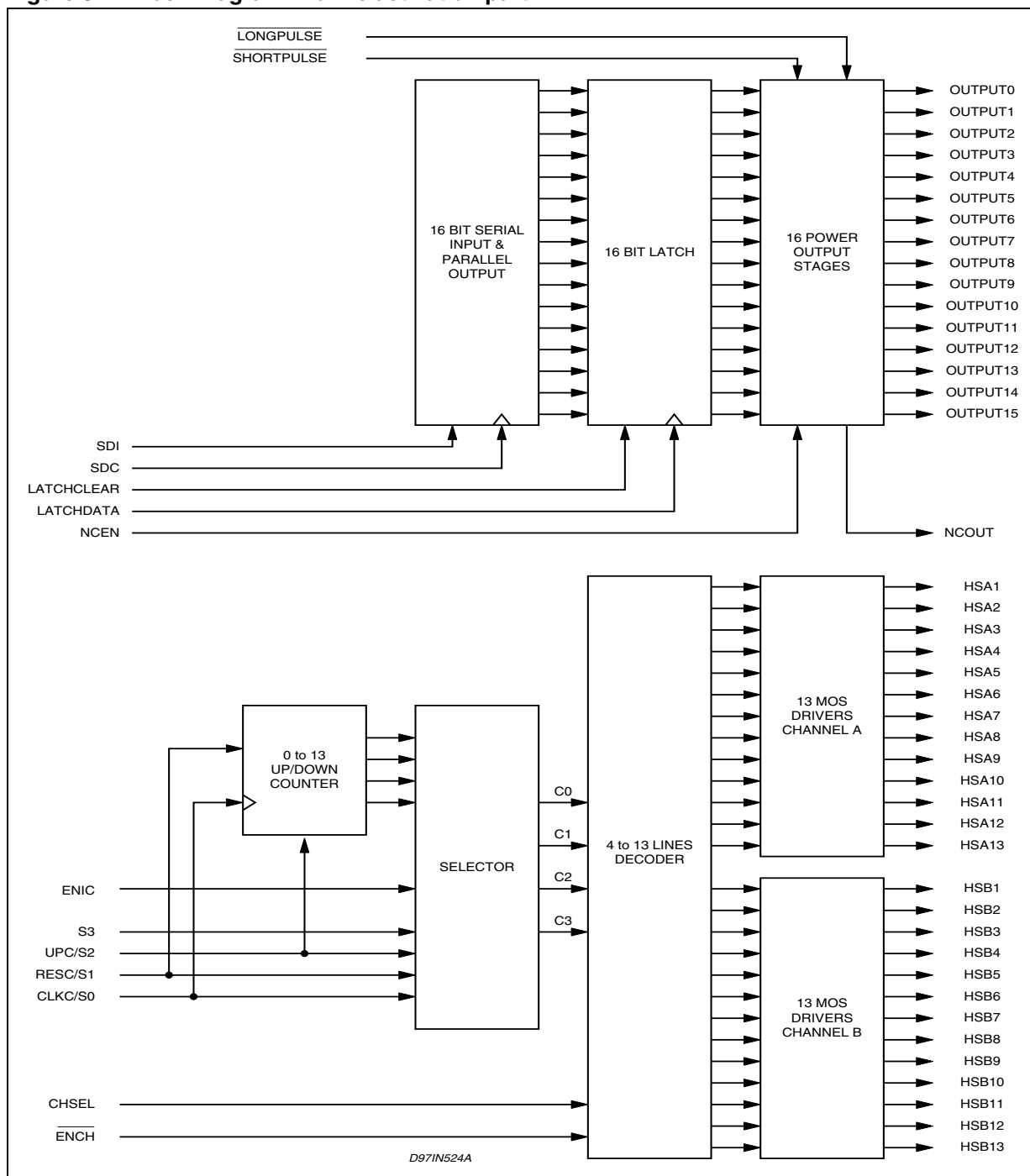


Figure 3. Block Diagram: Nozzle activation part



## 2 Pin description

Figure 4. Pin connection (Top view)

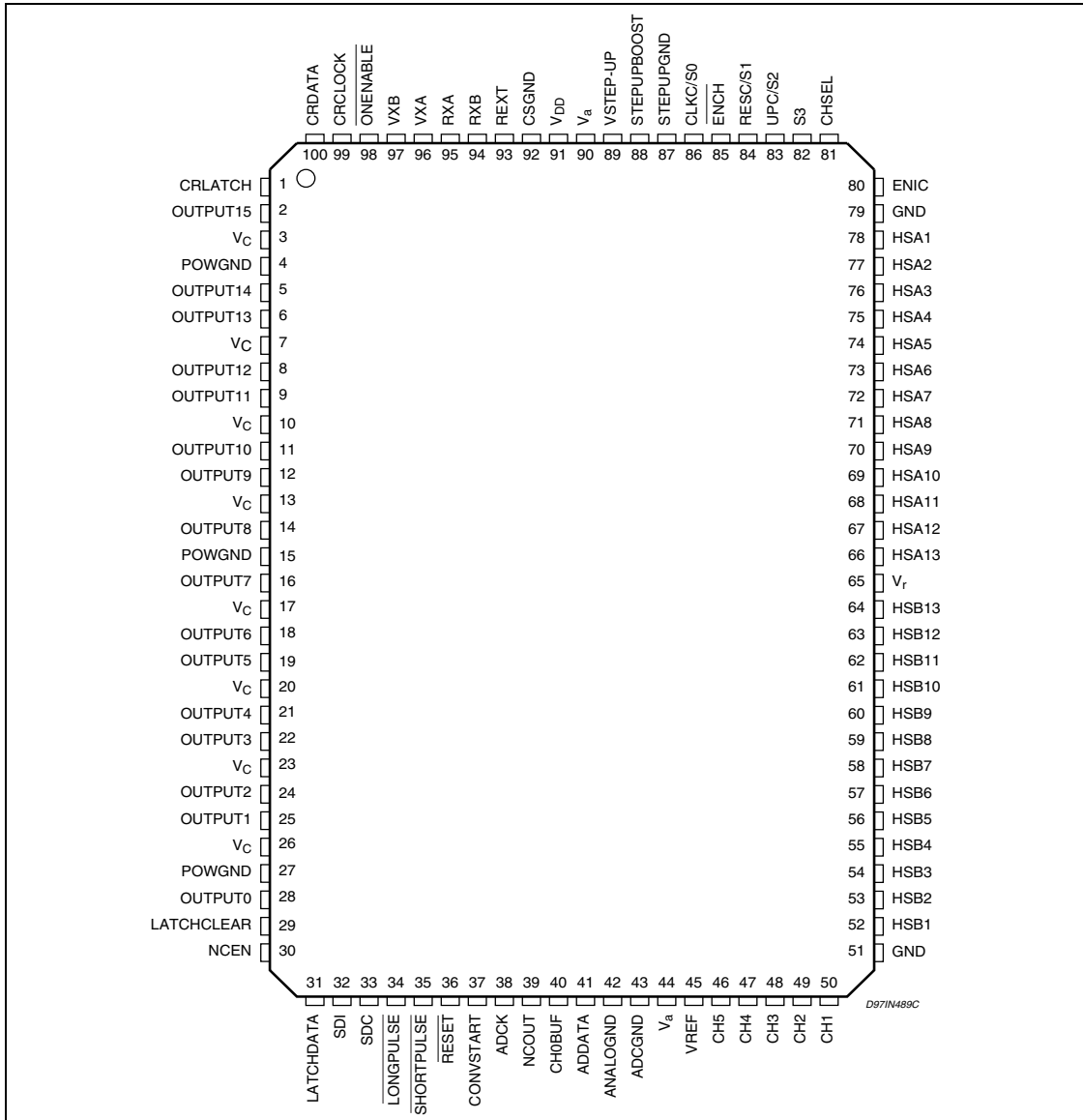


Table 1. Pin function

Pin #	Name	Function
1	CRLatch	A rising edge transfer the information from CR shift register into the control register latching the data on the falling edge
2, 5, 6, 8, 9, 11, 12, 14, 16, 18, 19, 21, 22, 24, 25, 28	Output15...0	High side DMOS outputs. To be active, $\overline{\text{ShortPulse}}$ and/or $\overline{\text{LongPulse}}$ and $\overline{\text{NcEn}}$ must have a low level

**Table 1. Pin function - continued**

Pin #	Name	Function
3, 7, 10, 13, 17, 20, 23, 26	Vc	Outputs Power Supply
4, 15, 27, 51, 79, 92	GND	logic and power ground
29	LatchClear	A high level resets all bit in the latch
30	NcEn	A high level enables the internal current sources and disables all DMOS outputs. To be active, the internal current sources must have their corresponding bit set in the 16 bit latch and LongPulse must be set to low level. This function is called Nozzle Check Enable.
31	LatchData	A rising edge latches the 16 bit stored in the shift register in the 16 bit latch
32	SDI	Serial data input of the shift register
33	SDC	The data bit presented to the SDI pin is stored into the register on the rising edge of this pin
34	$\overline{\text{LongPulse}}$	A low level activates all outputs having their corresponding bit in the 16 bit latch set (this pin has an internal pull-up resistor)
35	$\overline{\text{ShortPulse}}$	A low level activates all outputs having their corresponding bit in the 16 bit latch reset (this pin has an internal pull-up resistor)
36	$\overline{\text{Reset}}$	A low level disables all functions and clears all registers
37	ConvStart	A high level enables the A/D to start the new conversion
38	ADCK	A/D clock signal; the ADDATA signal are valid on the falling edge of this pin
39	NCOut	If NcEn is high this output provides a high level when the open load is detected on the output. If NcEn is low this output provides a high level when a short circuit is detected on HSA/B output
40	CH0buf	Analog output signal (CH0 buffered)
41	ADDATA	A/D serial data output
42	AnalogGND	Analog ground connection
43	ADCGND	Ground of internal ADC
44, 90	Va	Power supply
45	Vref	Reference voltage generator
46 to 50	CH5..CH1	A/D input signals
52 to 64	HSB1..HSB13	Head selector address output channel B
65	Vr	Head Select Power Supply
66 to 78	HSA13..HSA1	Head selector address output channel A
80	EnIC	Enable Internal Counter: A high level enables the counter and the internal decoder will activate of the HSx outputs according to the counter's outputs. Signal S0 becomes ClkC and S1 becomes ResC

**Table 1. Pin function - continued**

Pin #	Name	Function
81	ChSel	Channel Select: A low level enables channel A and a high level enables channel B
82	S3	Decoder input signals when EnIC is low
83	UpC/S2	UpCount/S2: A high level enables the internal counter to up counting. A low level enables down counting depending on EnIC value it becomes S2.
84	ResC/S1	Reset Count/S1: A low level resets the internal counter depending on EnIC value it becomes S1.
85	$\overline{\text{EnCh}}$	Enable Channel: A low level enables the selected channel (this input has an internal pull up resistor)
86	ClkC/S0	A high level clocks the internal counter depending on EnIC value it becomes S0.
87	StepUpGND	Ground of step up block
88	StepUpBoost	Boost voltage
89	VstepUp	Driving voltage of power DMOS stage
91	VDD	5V logic supply
93	Rext	An external resistor connected to ground fixes the internal current source value
94, 95	RxB, RxA	Current source outputs
96, 97	VxA, VxB	RxA, RxB voltage after an optional external filter
98	$\overline{\text{OnEnable}}$	A low level enables the current source generator according the $\overline{\text{A/B}}$ and ON/OFF control register bit
99	CRclock	Data on pin CRdata are stored into the register on the rising edge of this pin
100	CRdata	Control register serial data input

## 3 Electrical specifications

### 3.1 Absolute maximum ratings

Table 2. Absolute maximum ratings

Symbol	Parameter	Value	Unit
$V_C$	Power line supply voltage	14	V
$V_r$	Address line supply voltage	14	V
$V_a$	Analog supply voltage	14	V
$V_{dd}$	Logic supply voltage	6	V
$V_{step\_up}$	Driving voltage of power DMOS stage	28	V
ESD	In accordance with IEC 1000-4-2 <sup>(1)</sup>	±4	kV
$V_{in}$	Logic input voltage range	-0.3 to $V_{dd} + 0.3$	V
$I_{out}$	Output continuous current	0.5	A
$T_j$	Junction temperature	150	°C
$T_{amb}$	Operating temperature range	0 to 70	°C
$T_{stg}$	Storage temperature range	-55 to 150	°C

(1) All the pins connected to the pen passed ESD Contact Electrostatic Discharge @ ±4kV (150pF, 330Ohm source).

### 3.2 DC Electrical characteristics

Table 3. DC Electrical characteristics ( $T_j = 25^\circ\text{C}$ )

Symbol	Parameter	Test Condition	Min.	Typ.	Max.	Unit
$V_C$	Power Line Supply voltage	(1)	10.5 (2)	11.5	12.5	V
$V_r$	Address line supply voltage	(1)	10.5	11.5	12.5	V
$V_a$	Analog supply voltage	(1)	10.5	11.5	12.5	V
$V_{dd}$	Logic supply voltage		4.5	5	5.5	V
$I_{cs}$	$V_C$ sleep supply current	$\overline{\text{OnEnable}} = 1 \quad \overline{\text{Reset}} = 0$			1	mA
$I_{rs}$	$V_r$ sleep supply current				0.3	mA
$I_{as}$	$V_a$ sleep supply current				3	mA
$I_c$	$V_C$ supply current				1.5	mA
$I_r$	$V_r$ supply current				0.6	mA
$I_a$	$V_a$ supply current	$I_{Rext} = 3\text{mA}$			13	mA



**Table 3. DC Electrical characteristics (T<sub>j</sub> = 25°C) - continued**

Symbol	Parameter	Test Condition	Min.	Typ.	Max.	Unit
I <sub>dd</sub>	V <sub>dd</sub> supply current	sleep or normal condition			5	mA
V <sub>ref</sub>	Reference Voltage	T <sub>amb</sub> = 5 to 55°C	4.85	5	5.15	V
I <sub>refext</sub>	Reference current (external)				7	mA
I <sub>ccs</sub>	Programmed constant current	$I_{ccs} = \frac{V_{ref}}{2R_{ext}} \cdot 4$		12	13.5	mA
ΔI <sub>ccs</sub> /I <sub>ccs</sub>	Constant current regulation	V <sub>a</sub> =11V T <sub>amb</sub> = 5 to 55°C		0.33		%
V <sub>ampout</sub>	Output voltage of integrated amplifier		e <sup>(3)</sup>		V <sub>a</sub> -1	V
V <sub>cm</sub>	Operating input voltage at pins	V <sub>ref</sub> = 5V g <sub>1</sub> =1.2 g <sub>2</sub> = 3			7	V
	V <sub>xa</sub> and V <sub>xb</sub>					
g <sub>1</sub>	Amp. A1 Voltage gain		1.188	1.2	1.212	
g <sub>2</sub>	Amp.A2 Voltage gain		2.95	3.02	3.10	
V <sub>step-up</sub>	Driving Voltage of power DMOS			V <sub>c</sub> +11		V
<b>A/D CONVERTER</b>						
V <sub>A/D in</sub>	A/D input voltage	Selected Channel: CH1 to CH5 Selected Ch=CH0	0 e <sup>(3)</sup>		V <sub>ref</sub> V <sub>ref</sub>	V V
I <sub>exch</sub>	A/D input current	Input CH1 to CH5 selected or not			±1	μA
<b>OFFSET VOLTAGE GENERATION / DAC</b>						
V <sub>offset</sub>	Offset Voltage	V <sub>ref</sub> = 5V	2.5+e <sup>(3)</sup>		7.34	V
V <sub>step</sub>	Voltage increment (1LSB)	V <sub>ref</sub> = 5V		156		mV
K <sub>dac</sub>	V <sub>offset</sub> /V <sub>ref</sub>	Any step N ≥ 4			±3	%
<b>A/D CONVERTER TIMINGS</b>						
T <sub>cscks</sub>	ConvStart set up time		200			ns
T <sub>csckh</sub>	ConvStart hold time		200			ns
T <sub>ckout</sub>	Falling edge of clock to data out valid delay	C <sub>load</sub> ≤20pF			200	ns
T <sub>csz</sub>	ConvStart falling edge to output in Hi-Z delay				200	ns
F <sub>adck</sub>	Clock frequency				250	KHz
T <sub>cslow</sub>	Conv. Start low level time		5.6			μs

**Table 3. DC Electrical characteristics ( $T_j = 25^\circ\text{C}$ ) - continued**

Symbol	Parameter	Test Condition	Min.	Typ.	Max.	Unit
$T_{acqth}$	Theoretical acquisition time	$f_{adck} = 250 \text{ kHz}$	32.4			$\mu\text{s}$
$T_{acqpr}$	Real acquisition time	$f_{adck} = 250 \text{ kHz}$	36			$\mu\text{s}$
<b>DIGITAL INTERFACE INPUT</b>						
$V_{inp}$	Schmitt Trigger positive-going Threshold				$2/3V_{dd}$	V
$V_{inm}$	Schmitt Trigger negative-going Threshold		$1/3V_{dd}$			V
$V_{hys}$	Schmitt Trigger Hysteresis		0.1	0.3	1	V
$I_{in}$	Input Current ( $V_{in}=0$ ; $V_{dd}=5$ ) <sup>(4)</sup>		50	150	300	$\mu\text{A}$
<b>CR LATCH TIMINGS</b>						
$T_{ls}$	Latch set up time		100			ns
$T_{lhigh}$	Latch high time		100			ns
$T_{lconv}$	Latch data valid to A/D input valid delay	Selected channel: CH1..CH5 CH0	4 7			$\mu\text{s}$ $\mu\text{s}$
$t_{store}$	Latching data time		200			ns
<i>Note: The control register (driving signals CRdata, CRclock) is accessed with the same timing specifications as the data 16 bit shift register (signals SDI, SDC)</i>						
<b>SHIFT REGISTER AND LATCH TIMING</b>						
$T_a$	Set up time		35			ns
$T_b$	Hold time		35			ns
$T_c$	Serial clock low time		35			ns
$T_d$	Serial clock high time		35			ns
$T_e$	Serial clock period		125			ns
$T_f$	Latch set up time		100			ns
$T_g$	Latch data high time		100			ns
$T_{set}$	NcEn setup time with respect to $\overline{\text{LongPulse}}$ (or $\overline{\text{ShortPulse}}$ ) Asserted		160			ns
$T_{hold}$	NcEn hold time with respect to $\overline{\text{LongPulse}}$ (or $\overline{\text{ShortPulse}}$ ) Asserted		0			ns
$T_{lp}$	Set-up time from latch to Pulse (short and long)		125			ns
$T_{pl}$	Time from Pulse deassertion to new data latching		125			ns

Table 3. DC Electrical characteristics ( $T_j = 25^\circ\text{C}$ ) - continued

Symbol	Parameter	Test Condition	Min.	Typ.	Max.	Unit
<b>OUTPUTS ELECTRICAL CHARACTERISTICS</b>						
$I_{\text{out}}$	Output Current (outputs 0..15)	DC=33%; preheating DC=66%		400		mA
$R_{\text{ds(ON)}}$	On Resistance	$T_j = 25^\circ\text{C}$			1.3	$\Omega$
$T_{\text{pdr}}$	Power output Turn on Time	From 50% $\overline{\text{LongPulse}}$ to 90% power output rising edge Load = 30 Ohm in parallel with 1.5nF			160	ns
$T_{\text{pfd}}$	Toff delay time	From 50% $\overline{\text{LongPulse}}$ to 90% power output falling edge Load = 30 Ohm in parallel with 1.5nF			100	ns
$R_{\text{pon}}$	Open Nozzle Check		0.5	1	2	k $\Omega$
<b>HEAD ADDRESS SELECTOR OUTPUT</b>						
$T_{\text{h}}$	UpC/S2, ResC/S1, ChSel, ClkC/S0 and EnIC set-up time with respect to $\overline{\text{EnCh}}$		150			ns
$T_{\text{k}}$	UpC/S2, ResC/S1, ChSel, ClkC/S0 and EnIC hold time with respect to $\overline{\text{EnCh}}$		50			ns
$T_{\text{j}}$	UpC/S2 with respect to hold time ClkC/S0		200			ns
$T_{\text{i}}$	UpC/S2 with respect to setup time ClkC/S0		100			ns
$T_{\text{m}}$	Enable input to active output delay time				100	ns
$T_{\text{n}}$	Clock to active output delay time				150	ns
$T_{\text{o}}$	Disable input to inactive output delay time				100	ns
$f_{\text{clk-counter}}$	Counter Clock Frequency				1	MHz
$\text{Clk}_{\text{dc}}$	Clock duty cycle		10		90	%
$T_{\text{on}}$	Address Turn on time	From 50% ClkC/S0 or selector signal to 90% of the address output variation Load: see <a href="#">Figure 11</a> .			325	ns
$T_{\text{off}}$	Address Turn off time				325	ns

(1) The three supply voltage are independent inside the specified value;

(2) The Min. value for  $V_c$  power line has been verified down to 4V in application lab.; nevertheless the parameters are guaranteed within spec limit of the above DC ELECTRICAL CHARACTERISTICS table.

(3)  $e = 2 \cdot V_{\text{step}}$

(4) This applies to input pins having an internal pull-up ( $\overline{\text{ENCH}}$ ,  $\overline{\text{LONGPULSE}}$ ,  $\overline{\text{SHORTPULSE}}$ )

### 3.3 Counter Truth Table

EnIC = 1  
 UpC/S2 = 1  
 ResC/S1 = 1

Clock Counter	C3	C2	C1	C0
0	0	0	0	0
	0	0	0	1
	0	0	1	1
	0	0	1	0
	0	1	1	0
	0	1	1	1
	0	1	0	1
	0	1	0	0
	1	1	0	0
	1	1	0	1
	1	1	1	1
	1	1	1	0
	1	0	1	0
	1	0	0	0
	0	0	0	0

EnIC = 1  
 UpC/S2 = 0  
 ResC/S1 = 1

Clock Counter	C3	C2	C1	C0
0	0	0	0	0
	1	0	0	0
	1	0	1	0
	1	1	1	0
	1	1	1	1
	1	1	0	1
	1	1	0	0
	0	1	0	0
	0	1	0	1
	0	1	1	1
	0	1	1	0
	0	0	1	0
	0	0	1	1
	0	0	0	1
	0	0	0	0

### 3.4 Decoder Truth Table

OUTPUTS (HS) ACTIVE	C3*	C2*	C1*	C0*
All inactive	0	0	0	0
1	0	0	0	1
2	0	0	1	1
3	0	0	1	0
4	0	1	1	0
5	0	1	1	1
6	0	1	0	1
7	0	1	0	0
8	1	1	0	0
9	1	1	0	1
10	1	1	1	1
11	1	1	1	0
12	1	0	1	0
13	1	0	0	0
All inactive	1	0	0	1
All inactive	1	0	1	1

\* C3 = S3, C2 = S2, C1 = S1, C0 = S0, when EnIC = 0

This table is valid for both Channel A and Channel B and when  $\overline{\text{EnCh}}$  is set to low level.

## 4 Print Head Temperature Control Part

### 4.1 Introduction

For quality printing, it is necessary to know and control the temperature of the print head. Thus, the latter has a built - in aluminium resistor, whose value changes slightly with the temperature. The temperature determination is done by injecting a constant current in the resistor, and measuring the voltage drop across it. Since high - end printers have two heads, it must also be possible to switch quickly the measurement process from one to the other. The function is foreseen to be integrated into the head driver, and is described hereafter.

### 4.2 Print Head Block Diagram (*Figure 5.*)

At first we have a constant current source, which can be disabled by an external pin ( $\overline{\text{OnEnable}}$ ) or by a control register, described later. The value of the current can be programmed by an external resistor, and is given by:

$$I_{\text{CCS}} = \frac{V_{\text{ref}} \cdot 4}{2 \cdot R_{\text{ext}}}$$

This current is injected either into the resistor of the head A (Ralu. A) or B (Ralu. B), depending of the switch SW3. The resistors are grounded, and the voltage at their << hot >> side (Vx) is re-entered via the pins VxA and VxB. Using separate pins from RxA and RxB permits to be more flexible, and a filter can eventually be added as shown in the drawing.

The voltage Vx is amplified by A1 and A2, and then converted in a digital value. To be compatible with the input range of the A/D converter, it is necessary to subtract an offset voltage Voffset from Vx. Moreover, as the initial value of the aluminum resistor is very imprecise. Voffset must be adjustable; this is done by means of a 5 bit - D/A converter, giving 32 different values. Finally, the voltage at the input of the A/D converter is:

$$V_{\text{CH0}} = g1 \cdot g2 \cdot V_X - g2 \times V_{\text{OFFSET}}$$

or

$$V_{\text{CH0}} = g1 \cdot g2 \cdot R_{\text{alu}} \cdot I_{\text{CCS}} - g2 \cdot V_{\text{OFFSET}};$$

$$V_{\text{OFFSET}} = V_{\text{REF}}/2 + N \cdot V_{\text{REF}}/32 \quad N = 0, 1, \dots, 31$$

The reference voltage generator ( $V_{\text{REF}}$ ) is integrated, and used for the current source and both the A/D and D/A converters. In this way, the system performance is independent from the precision of  $V_{\text{REF}}$ ; this one should, however, be stable. Vref is also available on pin #45, and can be used for low consumption purposes. (The external sinked current has to be a DC current).

The system is under control of a 10 bit register, CR. CR is accessed serially and has a transparent latch, which can be used or not (by trying the latch signal CR latch to  $V_{\text{CC}}$ ).

Figure 5. Print Head Block Diagram

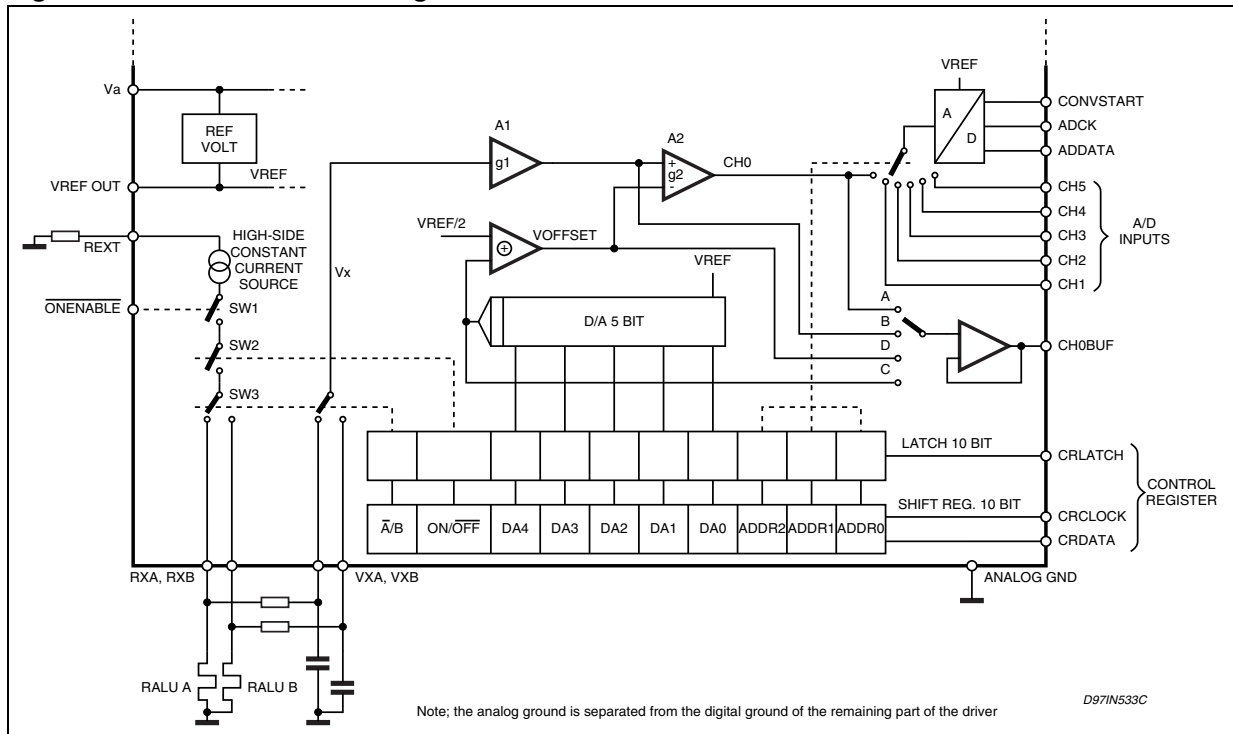


Figure 6. Control Register details.

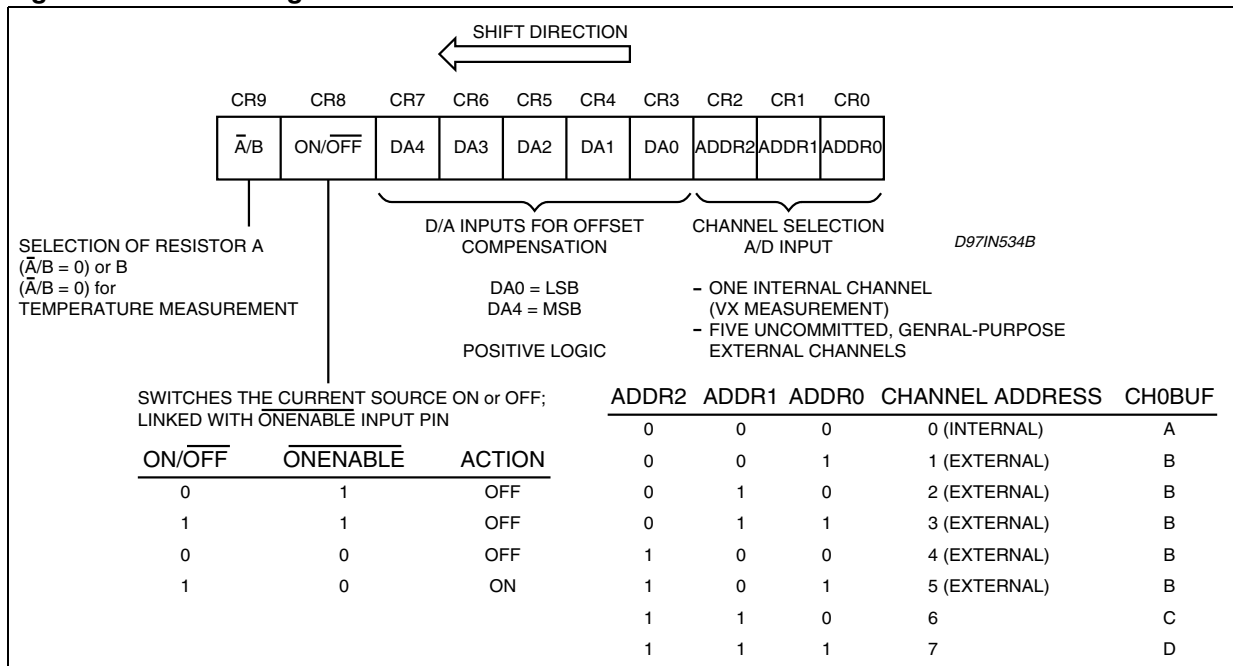


Figure 7. CR Latch Timings

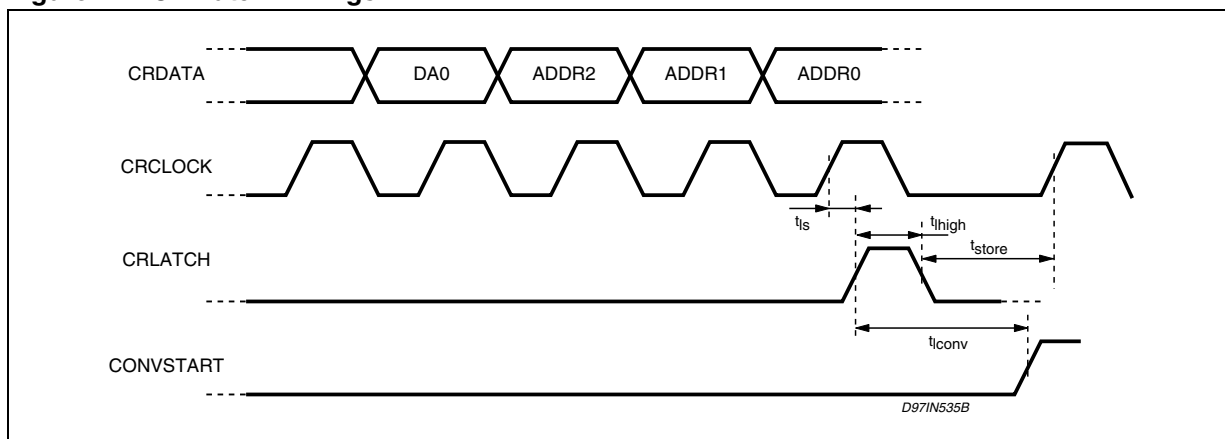


Figure 8. A/D Converter Timings

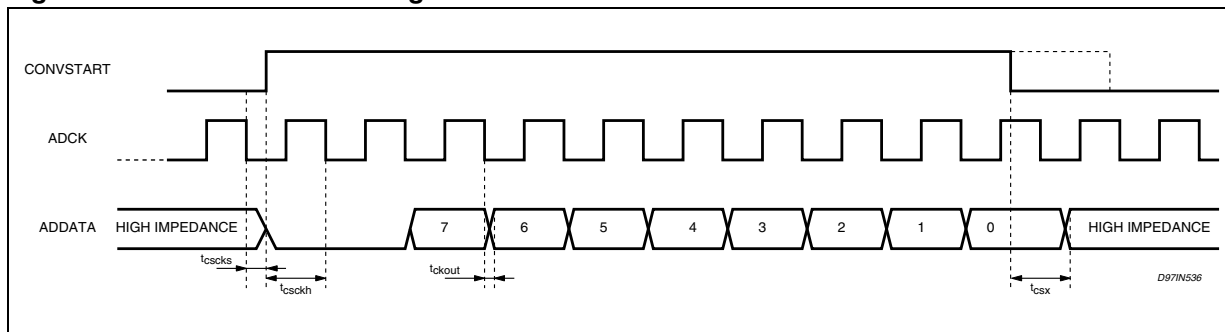


Figure 9. Power Output Timing

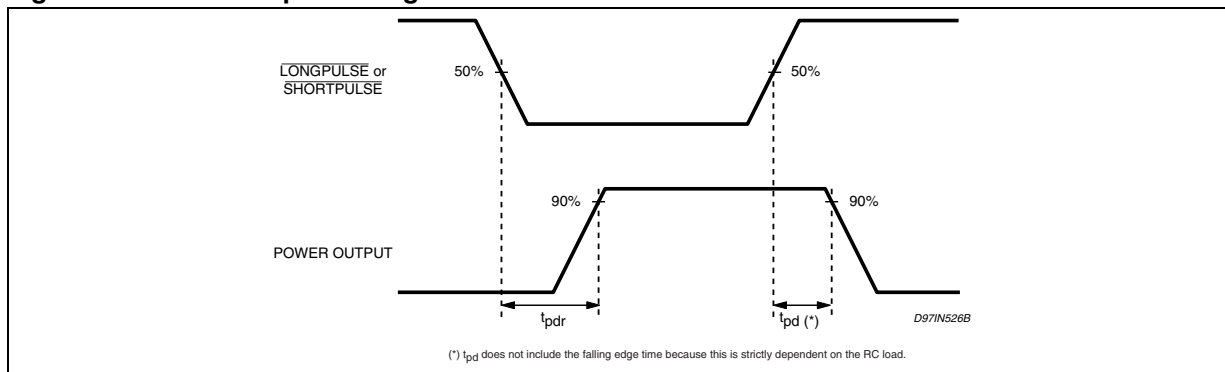


Figure 10. Trigger of Nozzle Check Signal

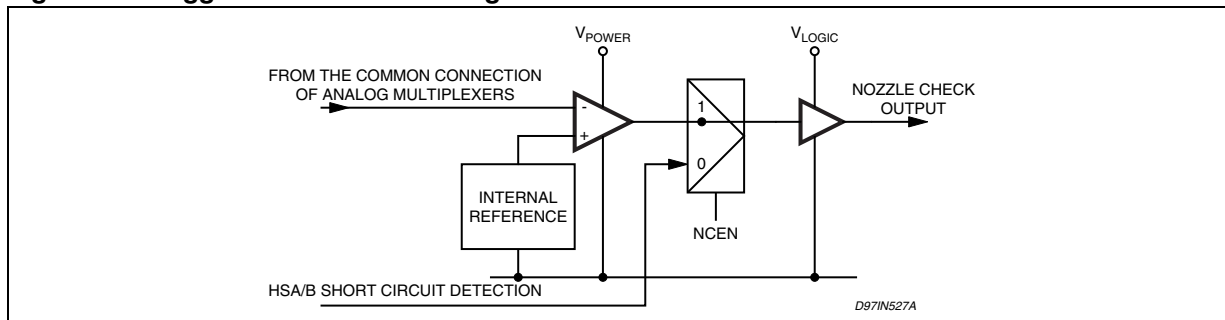




Figure 11. Address load reference

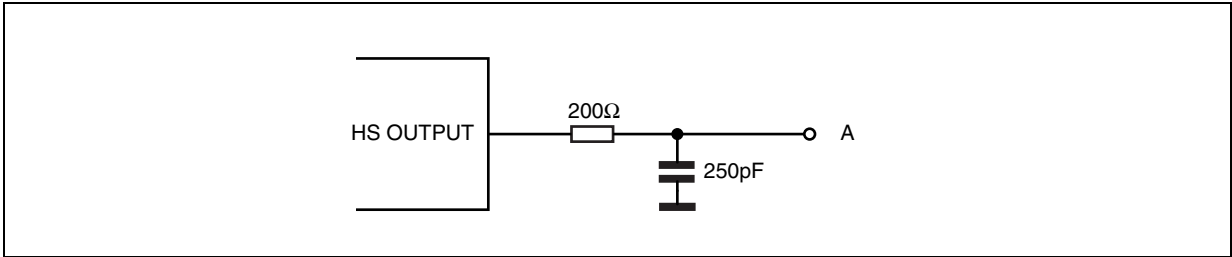


Figure 12. Mode Counter

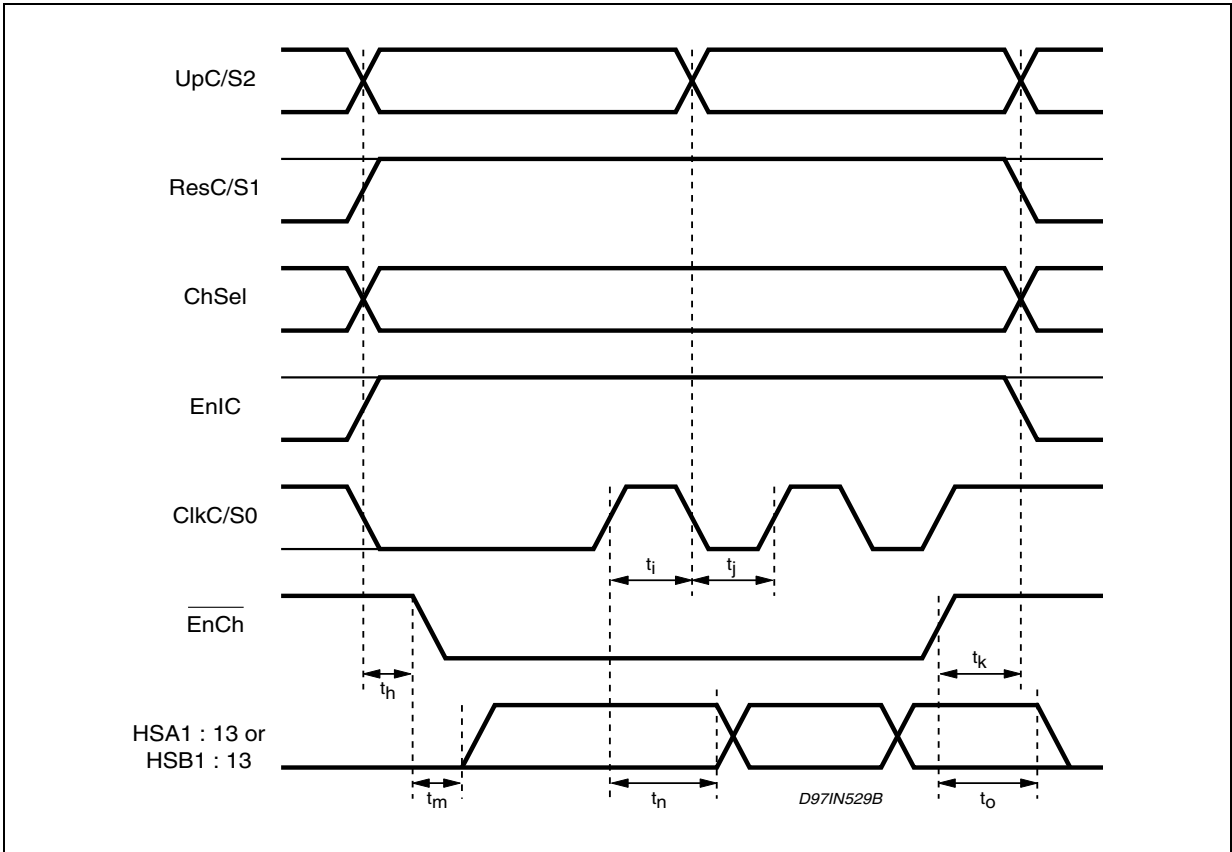


Figure 13. Mode Selector

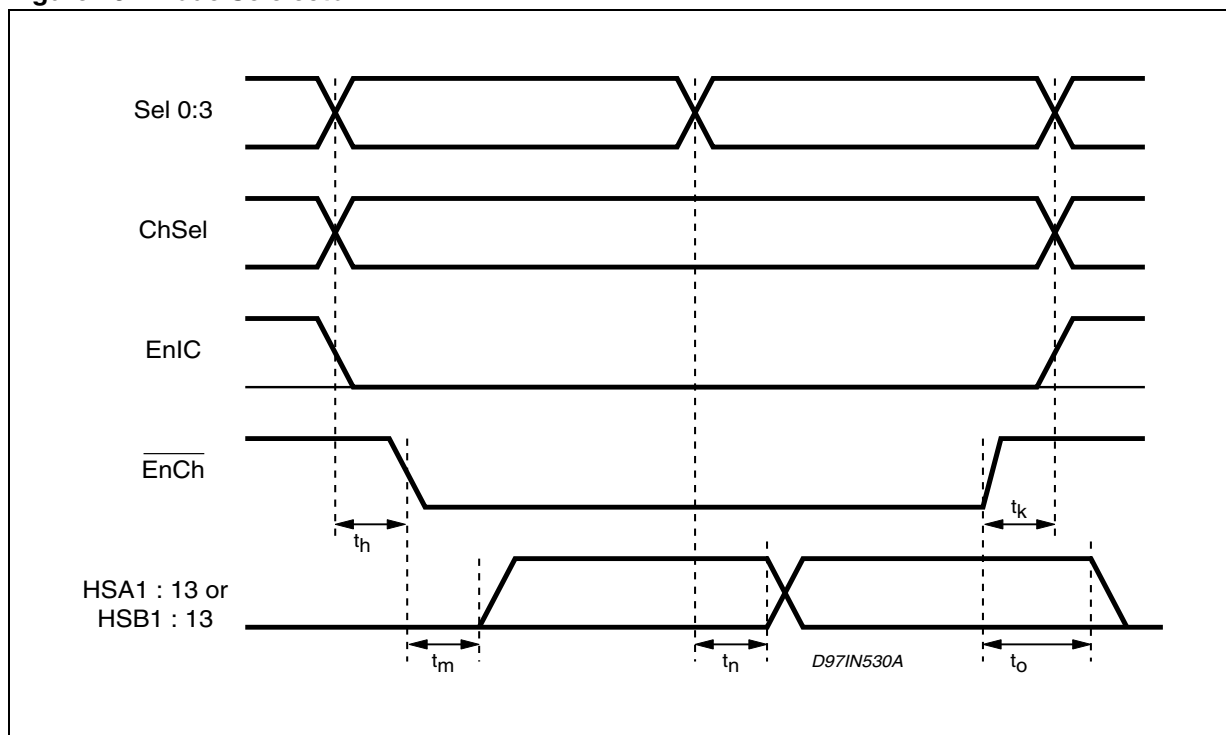


Figure 14. Sequence of Shift Register Data Loading

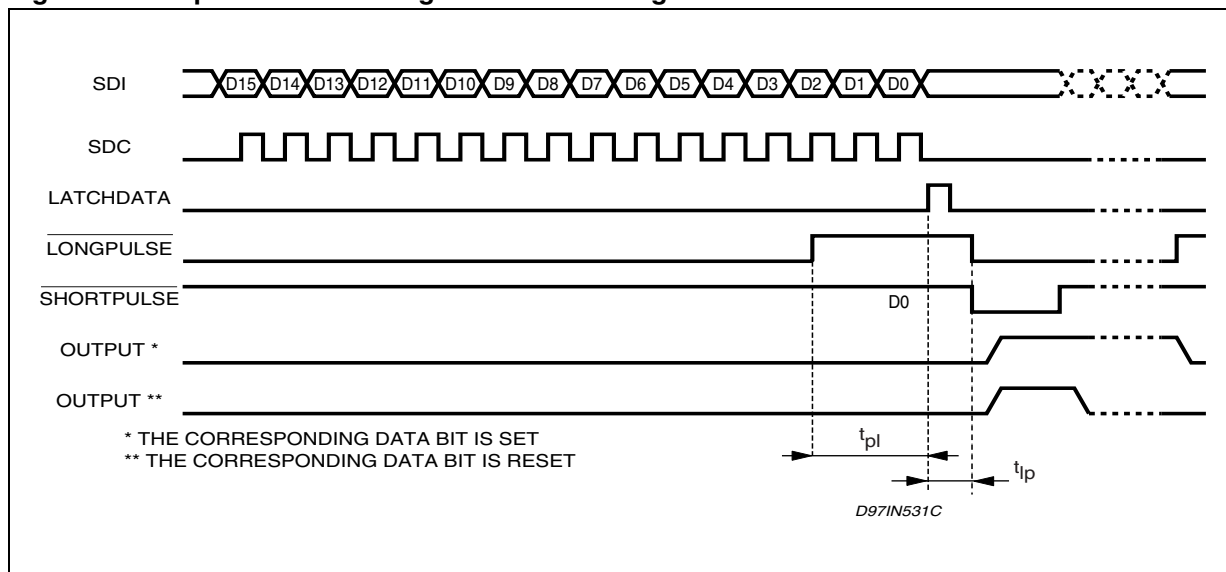
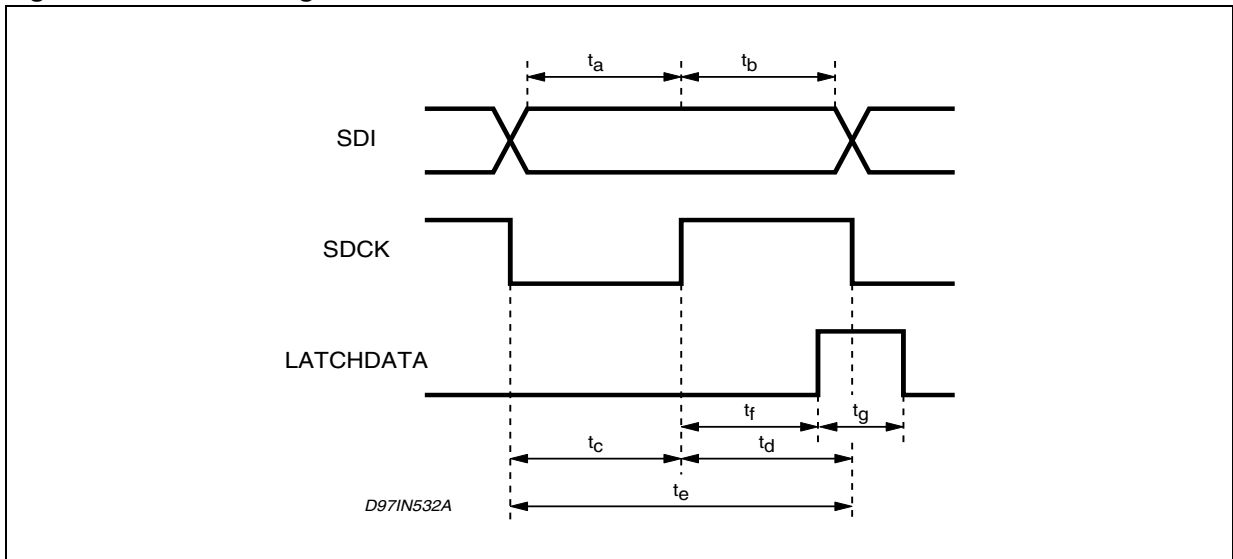


Figure 15. Latch Timing

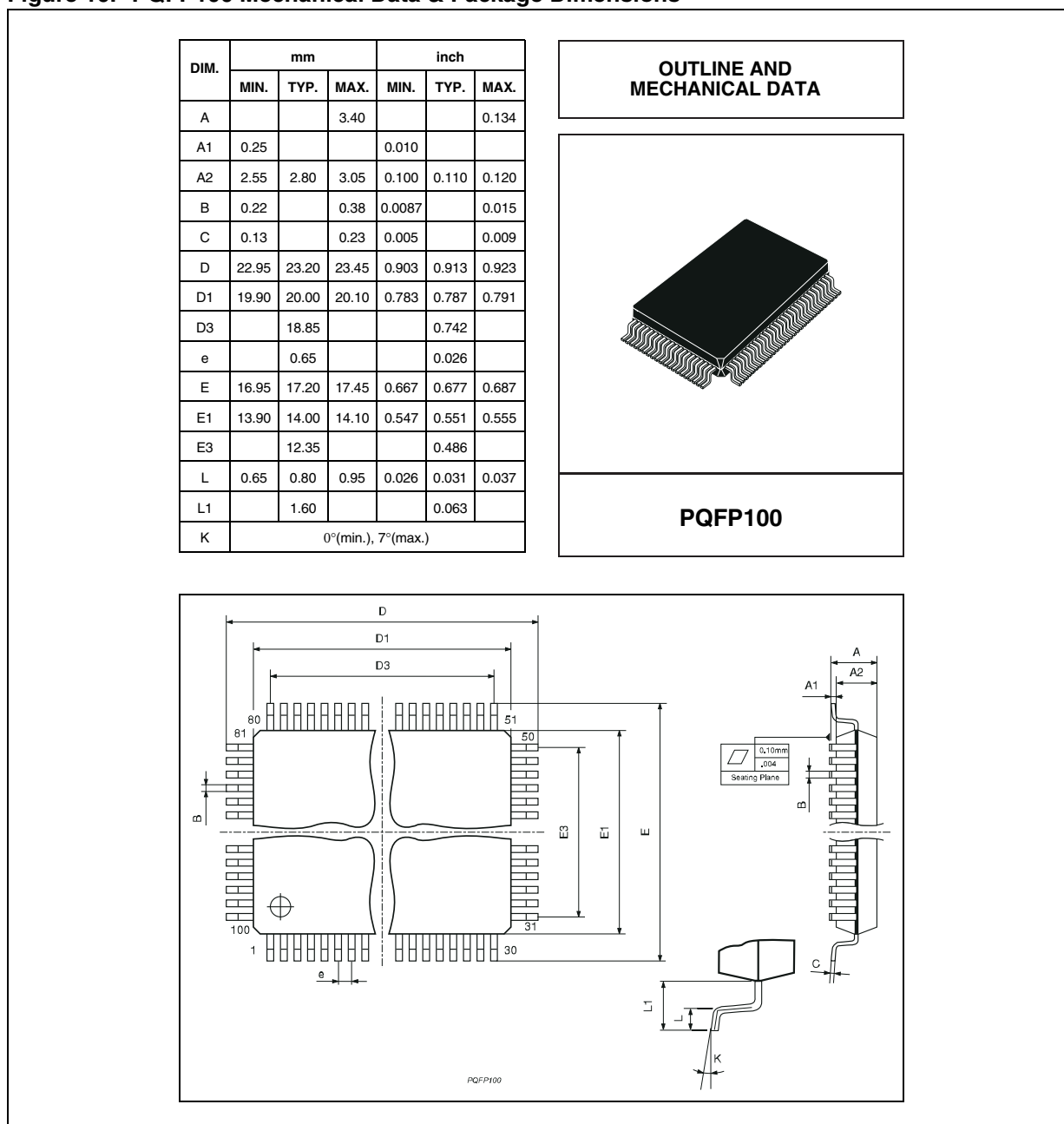


## 5 Package information

In order to meet environmental requirements, ST offers these devices in ECOPACK® packages. These packages have a Lead-free second level interconnect. The category of second Level Interconnect is marked on the package and on the inner box label, in compliance with JEDEC Standard JESD97. The maximum ratings related to soldering conditions are also marked on the inner box label.

ECOPACK is an ST trademark. ECOPACK specifications are available at: [www.st.com](http://www.st.com).

Figure 16. PQFP100 Mechanical Data & Package Dimensions



## 6 Revision history

Date	Revision	Changes
15-Mar-1999	1	Initial release.
06-Feb-2006	2	Modified Electrical Specification and any Time Diagrams. Modified pin and signal names through out the spec. Modified <a href="#">Table 1</a> Pin function pins 83, 84 & 86. Added ESD parameter in the <a href="#">Table 2</a> Absolute maximum ratings. Modified <a href="#">Table 3</a> : $T_{set}$ , $T_{hold}$ and $R_{pon}$ parameters. Modified <a href="#">Figure 14</a> .

**Please Read Carefully:**

Information in this document is provided solely in connection with ST products. STMicroelectronics NV and its subsidiaries ("ST") reserve the right to make changes, corrections, modifications or improvements, to this document, and the products and services described herein at any time, without notice.

All ST products are sold pursuant to ST's terms and conditions of sale.

Purchasers are solely responsible for the choice, selection and use of the ST products and services described herein, and ST assumes no liability whatsoever relating to the choice, selection or use of the ST products and services described herein.

No license, express or implied, by estoppel or otherwise, to any intellectual property rights is granted under this document. If any part of this document refers to any third party products or services it shall not be deemed a license grant by ST for the use of such third party products or services, or any intellectual property contained therein or considered as a warranty covering the use in any manner whatsoever of such third party products or services or any intellectual property contained therein.

**UNLESS OTHERWISE SET FORTH IN ST'S TERMS AND CONDITIONS OF SALE ST DISCLAIMS ANY EXPRESS OR IMPLIED WARRANTY WITH RESPECT TO THE USE AND/OR SALE OF ST PRODUCTS INCLUDING WITHOUT LIMITATION IMPLIED WARRANTIES OF MERCHANTABILITY, FITNESS FOR A PARTICULAR PURPOSE (AND THEIR EQUIVALENTS UNDER THE LAWS OF ANY JURISDICTION), OR INFRINGEMENT OF ANY PATENT, COPYRIGHT OR OTHER INTELLECTUAL PROPERTY RIGHT.**

**UNLESS EXPRESSLY APPROVED IN WRITING BY AN AUTHORIZE REPRESENTATIVE OF ST, ST PRODUCTS ARE NOT DESIGNED, AUTHORIZED OR WARRANTED FOR USE IN MILITARY, AIR CRAFT, SPACE, LIFE SAVING, OR LIFE SUSTAINING APPLICATIONS, NOR IN PRODUCTS OR SYSTEMS, WHERE FAILURE OR MALFUNCTION MAY RESULT IN PERSONAL INJURY, DEATH, OR SEVERE PROPERTY OR ENVIRONMENTAL DAMAGE.**

Resale of ST products with provisions different from the statements and/or technical features set forth in this document shall immediately void any warranty granted by ST for the ST product or service described herein and shall not create or extend in any manner whatsoever, any liability of ST.

ST and the ST logo are trademarks or registered trademarks of ST in various countries.

Information in this document supersedes and replaces all information previously supplied.

The ST logo is a registered trademark of STMicroelectronics. All other names are the property of their respective owners.

© 2006 STMicroelectronics - All rights reserved

STMicroelectronics group of companies

Australia - Belgium - Brazil - Canada - China - Czech Republic - Finland - France - Germany - Hong Kong - India - Israel - Italy - Japan - Malaysia - Malta - Morocco - Singapore - Spain - Sweden - Switzerland - United Kingdom - United States of America

[www.st.com](http://www.st.com)

Компания «Life Electronics» занимается поставками электронных компонентов импортного и отечественного производства от производителей и со складов крупных дистрибьюторов Европы, Америки и Азии.

С конца 2013 года компания активно расширяет линейку поставок компонентов по направлению коаксиальный кабель, кварцевые генераторы и конденсаторы (керамические, пленочные, электролитические), за счёт заключения дистрибьюторских договоров

Мы предлагаем:

- Конкурентоспособные цены и скидки постоянным клиентам.
- Специальные условия для постоянных клиентов.
- Подбор аналогов.
- Поставку компонентов в любых объемах, удовлетворяющих вашим потребностям.
- Приемлемые сроки поставки, возможна ускоренная поставка.
- Доставку товара в любую точку России и стран СНГ.
- Комплексную поставку.
- Работу по проектам и поставку образцов.
- Формирование склада под заказчика.
- Сертификаты соответствия на поставляемую продукцию (по желанию клиента).
- Тестирование поставляемой продукции.
- Поставку компонентов, требующих военную и космическую приемку.
- Входной контроль качества.
- Наличие сертификата ISO.

В составе нашей компании организован Конструкторский отдел, призванный помогать разработчикам, и инженерам.

Конструкторский отдел помогает осуществить:

- Регистрацию проекта у производителя компонентов.
- Техническую поддержку проекта.
- Защиту от снятия компонента с производства.
- Оценку стоимости проекта по компонентам.
- Изготовление тестовой платы монтаж и пусконаладочные работы.



Тел: +7 (812) 336 43 04 (многоканальный)

Email: [org@lifeelectronics.ru](mailto:org@lifeelectronics.ru)