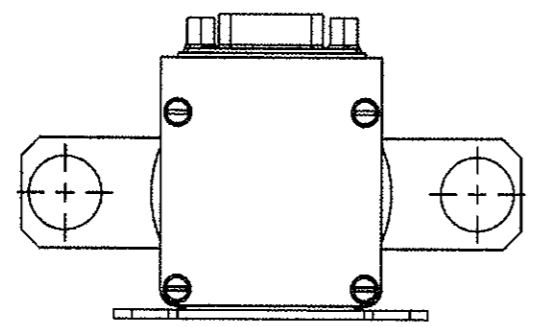
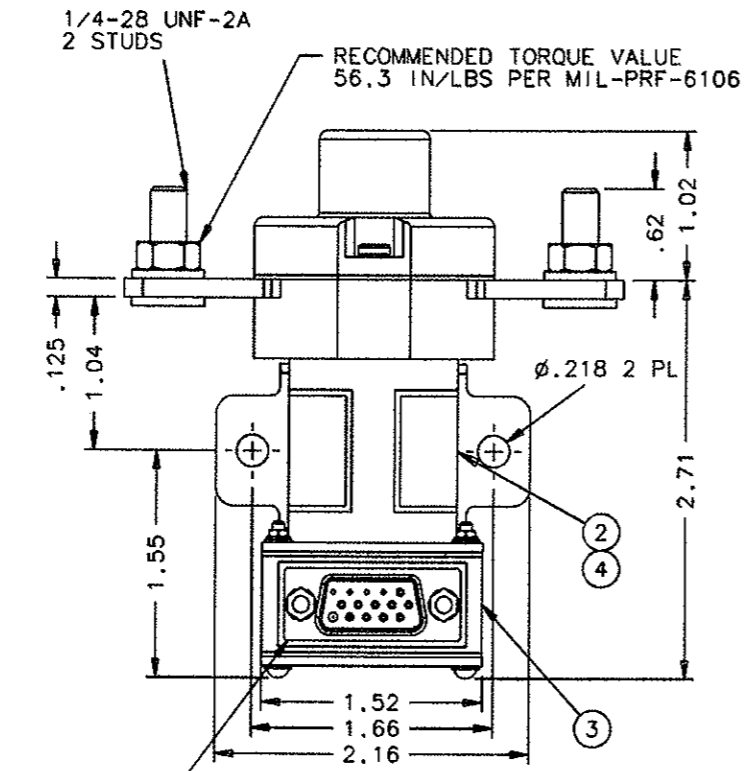
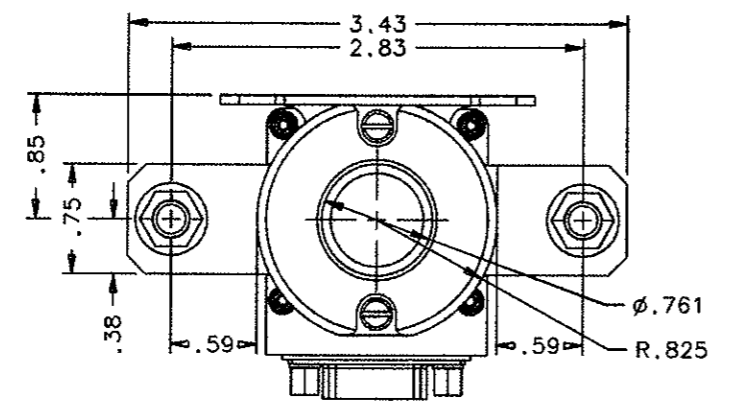


THIS ENTIRE DRAWING IS SUBJECT TO THE FOLLOWING LEGEND:
 THOSE PORTIONS OF THIS TECHNICAL DATA INDICATED AS LIMITED RIGHTS DATA SHALL NOT, WITHOUT THE WRITTEN PERMISSION OF THE ABOVE CONTRACTOR, BE EITHER (a) USED, RELEASED OR DISCLOSED IN WHOLE OR IN PART OUTSIDE THE GOVERNMENT (b) USED IN WHOLE OR IN PART BY THE GOVERNMENT FOR MANUFACTURE OR, IN THE CASE OF COMPUTER SOFTWARE DOCUMENTATION, FOR PREPARING THE SAME OR SIMILAR COMPUTER SOFTWARE, OR (c) USED BY A PARTY OTHER THAN THE GOVERNMENT, EXCEPT FOR: (1) EMERGENCY REPAIR OR OVERHAUL WORK ONLY, BY OR FOR THE GOVERNMENT, WHERE THE ITEM OR PROCESS CONCERNED IS NOT OTHERWISE REASONABLY AVAILABLE TO ENABLE TIMELY PERFORMANCE OF THE WORK, PROVIDED THAT THE RELEASE OR DISCLOSURE HEREOF OUTSIDE THE GOVERNMENT SHALL BE MADE SUBJECT TO A PROHIBITION AGAINST FURTHER USE, RELEASE OR DISCLOSURE; OR (2) RELEASE TO A FOREIGN GOVERNMENT, AS THE INTEREST OF THE UNITED STATES MAY REQUIRE, ONLY FOR INFORMATION OR EVALUATION WITHIN SUCH GOVERNMENT OR FOR EMERGENCY REPAIR OR OVERHAUL WORK BY OR FOR SUCH GOVERNMENT UNDER THE CONDITIONS OF (1) ABOVE. THIS LEGEND, TOGETHER WITH THE INDICATIONS OF THE PORTIONS OF THIS DATA WHICH ARE SUBJECT TO SUCH LIMITATIONS SHALL BE INCLUDED ON ANY REPRODUCTION HEREOF WHICH INCLUDES ANY PART OF THE PORTIONS SUBJECT TO SUCH LIMITATION.

HARTMAN® PROPRIETARY (DO NOT COPY)

| REVISIONS | | RELEASED | |
|-----------|--|----------|----------|
| SYM | DESCRIPTION | DATE | APPROVED |
| A | 44661 REDRAW CONTACT SHEILD; REDIMENSION; REMOVED *PRELIMINARY DRAWING* | 01/05/11 | CC |
| B | 0382-02 UPDATE VIEWS AND SPECIFICATIONS; ADDED *PRELIMINARY DRAWING* | 02/05/15 | CB |
| C | 0580-02 REMOVED *PRELIMINARY DRAWING*; COIL INRUSH WAS 8 AMP; OPERATE TIME WAS 650 mA; ITEM 3 WAS 44898-060; QTY OF ITEM 4 WAS 1 | 02/06/21 | CC |
| D | 0182-02 RELOCATED BALLOONS 1 & 2 | 02/10/16 | CC |



CONSTRUCTION
 MAIN CONTACTS
 CONFIGURATION
 VOLTAGE
 CURRENT
 RESISTIVE OVERLOAD
 INRUSH RUPTURE

GASKET SEALED
 SPST N.O. (DOUBLE BREAK)
 28 VDC
 400 AMPS
 450 AMPS FOR 5 MIN.
 1000 AMPS FOR 10 SEC.
 1500 AMPS
 4000 AMPS

AUXILIARY CONTACTS
 CONFIGURATION
 VOLTAGE
 CURRENT
 RESISTIVE INDUCTIVE LAMP
 LOW LEVEL

2 N.O., 2 N.C.
 28 VDC
 5 AMPS
 2 AMPS
 1 AMP
 1 mA AT 28 VDC

COIL DATA
 DUTY CYCLE
 MAX OPERATE VOLTAGE
 NOM OPERATE VOLTAGE
 MAX PICKUP VOLTAGE
 DROPOUT VOLTAGE
 COIL CURRENT
 INRUSH HOLD
 OPERATE TIME
 RELEASE TIME
 BOUNCE TIME

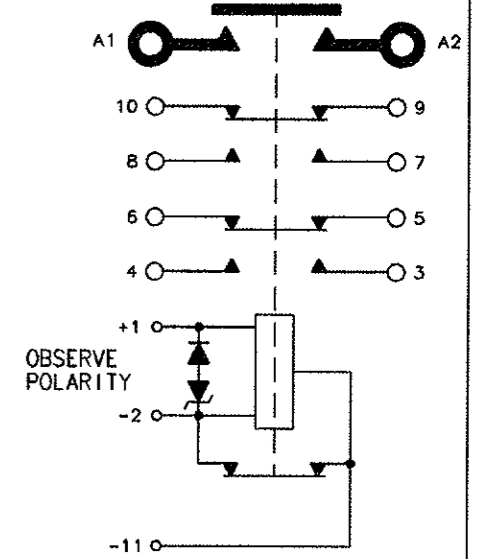
CONTINUOUS (ECONOMIZED)
 32 VDC
 28 VDC
 18 VDC MAX
 9 VDC MAX
 5.5 AMP MAX
 500 mA MAX
 35 mSEC MAX AT 18 TO 32 VDC
 20 mSEC MAX AT 28 VDC
 5 mSEC MAX AT 18 TO 32 VDC

ENVIRONMENTAL DATA
 TEMPERATURE
 ALTITUDE

-55°C TO 85°C
 50,000 FEET

LIFE ELECTRICAL
 LIFE MECHANICAL
 WEIGHT MAX EST.

50,000 CYCLES MIN.
 100,000 CYCLES MIN.
 .77 LBS.



- NOTES:
1. COIL TRANSIENT VOLTAGE LIMITED TO ±42 VOLTS REFERENCED TO ZERO VOLTS.
 2. AUXILIARY CONTACTS ARE GOLD PLATED.
 3. 1 MILLIAMPERE RATING DOES NOT APPLY IF CONTACTS HAVE SWITCHED LOADS ABOVE 1 MILLIAMPERE.
 4. CONNECTION -11 IS PROVIDED TO ENSURE OPTIMUM PERFORMANCE DURING STARTING. WHEN USED AS A START CONTACTOR, POSITIVE VOLTAGE IS APPLIED TO CONNECTION +1, AND NEGATIVE TO CONNECTION -11. FOR CONTINUOUS DUTY OPERATION, POSITIVE VOLTAGE IS APPLIED TO CONNECTION +1, AND NEGATIVE TO CONNECTION -2.
 5. IF CONNECTION -11 IS USED, THE COILS DUTY CYCLE IS INTERMITTENT.

| | | | | | | |
|---|---|-----------|----------------------------------|--|--|--------|
| 6 | 2 | 51807-034 | WASHER - LOCK NO. 1/4 SPLIT TYP. | | | BRONZE |
| 5 | 2 | 50407-074 | NUT 1/4-28 X 3/8 X 3/16 HEX | | | BRASS |
| 4 | 2 | 39529-059 | OVERLAY | | | |
| 3 | 1 | 44898-070 | CONTACTOR ASSEMBLY - PRIMARY | | | |
| 2 | 1 | 44900-003 | PLATE - SCHEMATIC DIAGRAM | | | |
| 1 | 1 | 44899-008 | PLATE - NAME | | | |

| FIND NO | QTY REQD | PART OR IDENTIFYING NO | NOMENCLATURE OR DESCRIPTION | CAGE NO | DRAWING OR SPECIFICATION | MATERIAL OR NOTE |
|---|----------|------------------------|-----------------------------|---|--------------------------|------------------|
| UNLESS OTHERWISE SPECIFIED DIMENSIONS ARE IN INCHES TOLERANCES ON | | | | | | |
| 2 PL DEC. 3 PL DEC. ANGLES | | | DR BY CSC 02/10/21 | Hartman Division, 175 N. DIAMOND STREET, WANSFIELD, OHIO 44902 CONTACTOR-SPST N.O. 400 AMP, 28 VDC 093 DWG NO. K-400A5C REF TYCO P/N 0-1616069-1 | | |
| ±.06 ±.010 ±1° | | | CHK BY CC 02/10/23 | | | |
| MATERIAL | | | ENGR LSS 02/10/24 | | | |
| | | | MFG BJS 02/10/24 | | | |
| | | | SIZE CODE IDENT | | | |
| | | | B 74063 | | | |
| | | | SCALE 1/1 SHEET | | | |

Компания «Life Electronics» занимается поставками электронных компонентов импортного и отечественного производства от производителей и со складов крупных дистрибьюторов Европы, Америки и Азии.

С конца 2013 года компания активно расширяет линейку поставок компонентов по направлению коаксиальный кабель, кварцевые генераторы и конденсаторы (керамические, пленочные, электролитические), за счёт заключения дистрибьюторских договоров

Мы предлагаем:

- Конкурентоспособные цены и скидки постоянным клиентам.
- Специальные условия для постоянных клиентов.
- Подбор аналогов.
- Поставку компонентов в любых объемах, удовлетворяющих вашим потребностям.
- Приемлемые сроки поставки, возможна ускоренная поставка.
- Доставку товара в любую точку России и стран СНГ.
- Комплексную поставку.
- Работу по проектам и поставку образцов.
- Формирование склада под заказчика.
- Сертификаты соответствия на поставляемую продукцию (по желанию клиента).
- Тестирование поставляемой продукции.
- Поставку компонентов, требующих военную и космическую приемку.
- Входной контроль качества.
- Наличие сертификата ISO.

В составе нашей компании организован Конструкторский отдел, призванный помогать разработчикам, и инженерам.

Конструкторский отдел помогает осуществить:

- Регистрацию проекта у производителя компонентов.
- Техническую поддержку проекта.
- Защиту от снятия компонента с производства.
- Оценку стоимости проекта по компонентам.
- Изготовление тестовой платы монтаж и пусконаладочные работы.



Тел: +7 (812) 336 43 04 (многоканальный)

Email: org@lifeelectronics.ru