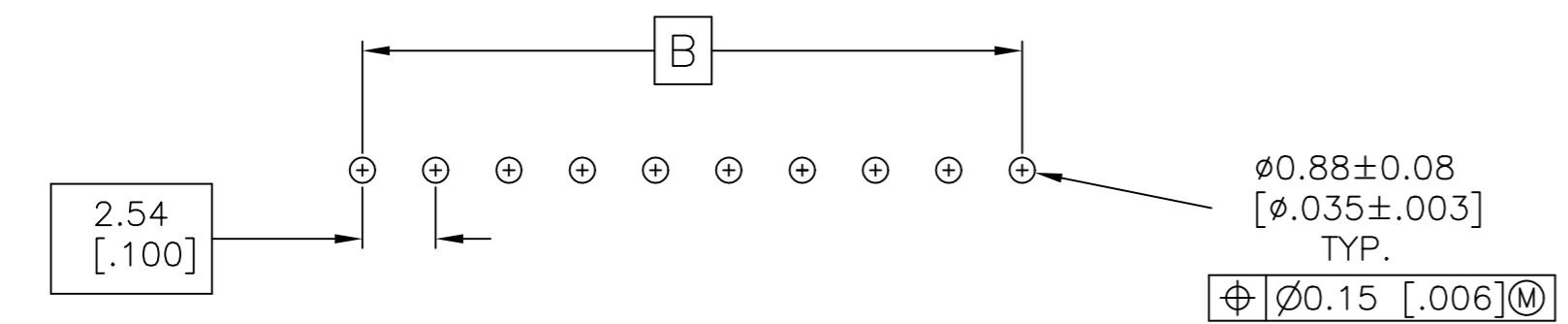
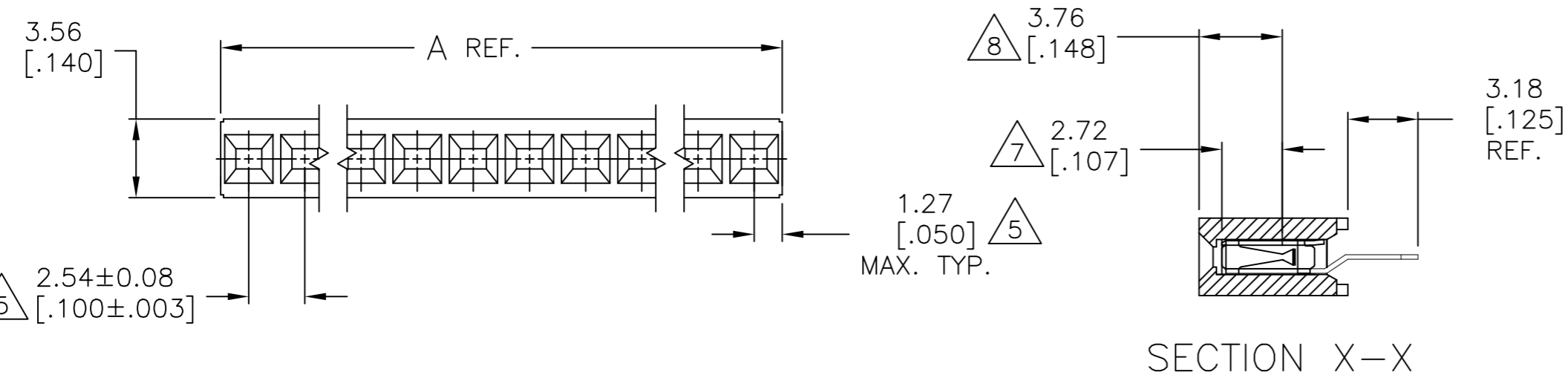
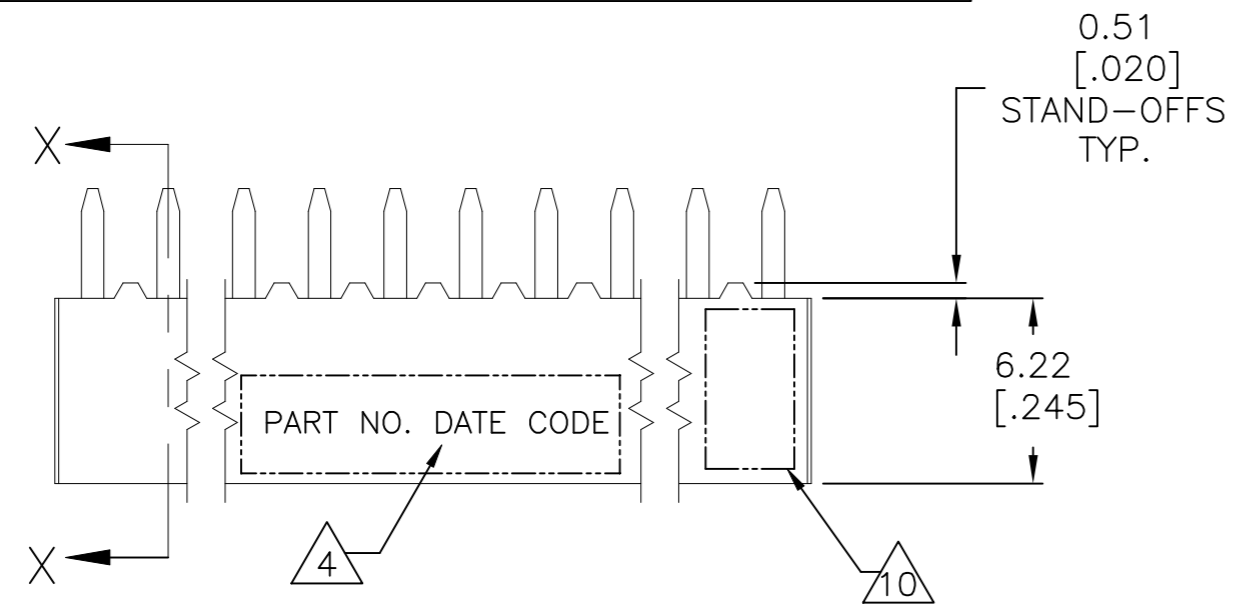


THIS DRAWING IS UNPUBLISHED. RELEASED FOR PUBLICATION
 © COPYRIGHT - By - ALL RIGHTS RESERVED.

| REVISIONS | | | | | |
|-----------|-----|---------------|-----------|-----|------|
| P | LTR | DESCRIPTION | DATE | DWN | APVD |
| | L6 | ECR-16-016231 | 12JAN2018 | SD | PS |



| OBSOLETE | 2.54 [.100] | 5.08 [.200] | 2 | 2 | 6 | 9 | 3-146138-9 |
|----------|---------------|----------------|----|---|---|---|------------|
| | 96.52 [3.800] | 99.06 [3.900] | 39 | 2 | 2 | 2 | 3-146138-8 |
| | 93.98 [3.700] | 96.52 [3.800] | 38 | 2 | 2 | 2 | 3-146138-7 |
| | 91.44 [3.600] | 93.98 [3.700] | 37 | 2 | 2 | 2 | 3-146138-6 |
| | 88.90 [3.500] | 91.44 [3.600] | 36 | 2 | 2 | 2 | 3-146138-5 |
| | 86.36 [3.400] | 88.90 [3.500] | 35 | 2 | 2 | 2 | 3-146138-4 |
| | 83.82 [3.300] | 86.36 [3.400] | 34 | 2 | 2 | 2 | 3-146138-3 |
| | 81.28 [3.200] | 83.82 [3.300] | 33 | 2 | 2 | 2 | 3-146138-2 |
| | 78.74 [3.100] | 81.28 [3.200] | 32 | 2 | 2 | 2 | 3-146138-1 |
| | 71.12 [2.800] | 73.66 [2.900] | 29 | 2 | 2 | 2 | 3-146138-0 |
| | 68.58 [2.700] | 71.12 [2.800] | 28 | 2 | 2 | 2 | 2-146138-9 |
| | 66.04 [2.600] | 68.58 [2.700] | 27 | 2 | 2 | 2 | 2-146138-8 |
| | 63.50 [2.500] | 66.04 [2.600] | 26 | 2 | 2 | 2 | 2-146138-7 |
| | 60.96 [2.400] | 63.50 [2.500] | 25 | 2 | 2 | 2 | 2-146138-6 |
| | 58.42 [2.300] | 60.96 [2.400] | 24 | 2 | 2 | 2 | 2-146138-5 |
| | 55.88 [2.200] | 58.42 [2.300] | 23 | 2 | 2 | 2 | 2-146138-4 |
| | 53.34 [2.100] | 55.88 [2.200] | 22 | 2 | 2 | 2 | 2-146138-3 |
| | 50.80 [2.000] | 53.34 [2.100] | 21 | 2 | 2 | 2 | 2-146138-2 |
| OBSOLETE | 76.20 [3.000] | 78.74 [3.100] | 31 | 2 | 2 | 2 | 2-146138-1 |
| | 99.06 [3.900] | 101.60 [4.000] | 40 | 2 | 2 | 2 | 2-146138-0 |
| | 73.66 [2.900] | 76.20 [3.000] | 30 | 2 | 2 | 2 | 1-146138-9 |
| | 48.26 [1.900] | 50.80 [2.000] | 20 | 2 | 2 | 2 | 1-146138-8 |
| | 45.72 [1.800] | 48.26 [1.900] | 19 | 2 | 2 | 2 | 1-146138-7 |
| | 43.18 [1.700] | 45.72 [1.800] | 18 | 2 | 2 | 2 | 1-146138-6 |
| | 40.64 [1.600] | 43.18 [1.700] | 17 | 2 | 2 | 2 | 1-146138-5 |
| | 38.10 [1.500] | 40.64 [1.600] | 16 | 2 | 2 | 2 | 1-146138-4 |
| | 35.56 [1.400] | 38.10 [1.500] | 15 | 2 | 2 | 2 | 1-146138-3 |
| | 33.02 [1.300] | 35.56 [1.400] | 14 | 2 | 2 | 2 | 1-146138-2 |
| | 30.48 [1.200] | 33.02 [1.300] | 13 | 2 | 2 | 2 | 1-146138-1 |
| | 27.94 [1.100] | 30.48 [1.200] | 12 | 2 | 2 | 2 | 1-146138-0 |
| | 25.40 [1.000] | 27.94 [1.100] | 11 | 2 | 2 | 2 | 146138-9 |
| | 22.86 [.900] | 25.40 [1.000] | 10 | 2 | 2 | 2 | 146138-8 |
| | 20.32 [.800] | 22.86 [.900] | 9 | 2 | 2 | 2 | 146138-7 |
| | 17.78 [.700] | 20.32 [.800] | 8 | 2 | 2 | 2 | 146138-6 |
| | 15.24 [.600] | 17.78 [.700] | 7 | 2 | 2 | 2 | 146138-5 |
| | 12.70 [.500] | 15.24 [.600] | 6 | 2 | 2 | 2 | 146138-4 |
| | 10.16 [.400] | 12.70 [.500] | 5 | 2 | 2 | 2 | 146138-3 |
| | 7.62 [.300] | 10.16 [.400] | 4 | 2 | 2 | 2 | 146138-2 |
| | 5.08 [.200] | 7.62 [.300] | 3 | 2 | 2 | 2 | 146138-1 |

- 1 HOUSING: FLAME RETARDANT, GLASS FILLED, POLYESTER, COLOR: BLACK. CONTACT: PHOSPHOR BRONZE
- 2 CONTACT: DUPLEX PLATED 0.25µm[.000010] MIN GOLD IN CONTACT AREA, 3.81-7.62µm[.000150-.000300] BRIGHT TIN-LEAD ON LEADS ALL OVER 1.27µm[.000050] NICKEL
- 3 THESE DIMENSIONS PERTAIN TO CAVITY CENTERLINES ONLY - NOT TO CONTACT LOCATIONS
- 4 MARK PART NUMBER AND DATE CODE IN APPROXIMATE LOCATION SHOWN, EITHER SIDE.
- 5 TOLERANCE IS NON-CUMULATIVE.
- 6 2 POSITION DATE CODE IS MARKED OPPOSITE SIDE OF TE CONNECTIVITY LOGO.
- 7 POINT-OF-MEASUREMENT DIMENSION FOR PLATING THICKNESS (INSIDE CONTACT BEAM).
- 8 POINT-OF-CONTACT DIMENSION.
- 9 NO PART NUMBER MARKING REQUIRED FOR THIS PART.
- 10 TE CONNECTIVITY LOGO AND CSA LOGO ARE MOLDED INTO HOUSING.
- 11 CONTACT: DUPLEX PLATED 0.25µm[.000010] MIN GOLD IN CONTACT AREA, 3.81-7.62µm[.000150-.000300] MATTE TIN ON LEADS, ALL OVER 1.27µm[.000050] MIN. NICKEL.
- 12 ROHS 2002/95/EC COMPLIANT

THIS DRAWING IS A CONTROLLED DOCUMENT.

| | | | | | |
|-------------------------|--|----------------------|---------------------|----------------------|-----------------|
| DIMENSIONS: mm [INCHES] | TOLERANCES UNLESS OTHERWISE SPECIFIED: | DWN M.BINNER 05NOV02 | CHK J.OLSON 05NOV02 | APVD J.OLSON 05NOV02 | NAME |
| 0 PLC ± - | 1 PLC ± - | 2 PLC ± 0.25[.010] | 3 PLC ± 0.13[.005] | 4 PLC ± - | ANGLES ± - |
| MATERIAL 1 | FINISH 2 11 | 108-25022 | | 114-25018 | |
| CUSTOMER DRAWING | | SIZE A2 | CAGE CODE 00779 | DRAWING NO C=146138 | RESTRICTED TO - |
| SCALE 4:1 | | | SHEET 1 of 2 | REV L6 | |


TE Connectivity Ltd. REC ASSY, MOD IV, SR, .100 CL VRT BOARD MOUNT, CLOSED, TE SHORT PNT. OF CONTACT

THIS DRAWING IS UNPUBLISHED. RELEASED FOR PUBLICATION
 © COPYRIGHT - By - ALL RIGHTS RESERVED.

| REVISIONS | | | | |
|-----------|-----|-------------|------|------|
| P | LTR | DESCRIPTION | DATE | APVD |
| - | | SEE SHEET 1 | - | - |

| FINISH | B | A | NO OF POSN | PART NUMBER |
|----------|---------------|----------------|------------|-------------|
| OBSOLETE | 2.54 [.100] | 5.08 [.200] | 2 | 8-146138-9 |
| | 96.52 [3.800] | 99.06 [3.900] | 39 | 8-146138-8 |
| | 93.98 [3.700] | 96.52 [3.800] | 38 | 8-146138-7 |
| | 91.44 [3.600] | 93.98 [3.700] | 37 | 8-146138-6 |
| | 88.90 [3.500] | 91.44 [3.600] | 36 | 8-146138-5 |
| | 86.36 [3.400] | 88.90 [3.500] | 35 | 8-146138-4 |
| | 83.82 [3.300] | 86.36 [3.400] | 34 | 8-146138-3 |
| | 81.28 [3.200] | 83.82 [3.300] | 33 | 8-146138-2 |
| | 78.74 [3.100] | 81.28 [3.200] | 32 | 8-146138-1 |
| | 71.12 [2.800] | 73.66 [2.900] | 29 | 8-146138-0 |
| | 68.58 [2.700] | 71.12 [2.800] | 28 | 7-146138-9 |
| | 66.04 [2.600] | 68.58 [2.700] | 27 | 7-146138-8 |
| | 63.50 [2.500] | 66.04 [2.600] | 26 | 7-146138-7 |
| | 60.96 [2.400] | 63.50 [2.500] | 25 | 7-146138-6 |
| | 58.42 [2.300] | 60.96 [2.400] | 24 | 7-146138-5 |
| | 55.88 [2.200] | 58.42 [2.300] | 23 | 7-146138-4 |
| | 53.34 [2.100] | 55.88 [2.200] | 22 | 7-146138-3 |
| | 50.80 [2.000] | 53.34 [2.100] | 21 | 7-146138-2 |
| | 76.20 [3.000] | 78.74 [3.100] | 31 | 7-146138-1 |
| | 99.06 [3.900] | 101.60 [4.000] | 40 | 7-146138-0 |
| | 73.66 [2.900] | 76.20 [3.000] | 30 | 6-146138-9 |
| | 48.26 [1.900] | 50.80 [2.000] | 20 | 6-146138-8 |
| | 45.72 [1.800] | 48.26 [1.900] | 19 | 6-146138-7 |
| | 43.18 [1.700] | 45.72 [1.800] | 18 | 6-146138-6 |
| | 40.64 [1.600] | 43.18 [1.700] | 17 | 6-146138-5 |
| | 38.10 [1.500] | 40.64 [1.600] | 16 | 6-146138-4 |
| | 35.56 [1.400] | 38.10 [1.500] | 15 | 6-146138-3 |
| | 33.02 [1.300] | 35.56 [1.400] | 14 | 6-146138-2 |
| | 30.48 [1.200] | 33.02 [1.300] | 13 | 6-146138-1 |
| | 27.94 [1.100] | 30.48 [1.200] | 12 | 6-146138-0 |
| | 25.40 [1.000] | 27.94 [1.100] | 11 | 5-146138-9 |
| | 22.86 [.900] | 25.40 [1.000] | 10 | 5-146138-8 |
| | 20.32 [.800] | 22.86 [.900] | 9 | 5-146138-7 |
| | 17.78 [.700] | 20.32 [.800] | 8 | 5-146138-6 |
| | 15.24 [.600] | 17.78 [.700] | 7 | 5-146138-5 |
| | 12.70 [.500] | 15.24 [.600] | 6 | 5-146138-4 |
| | 10.16 [.400] | 12.70 [.500] | 5 | 5-146138-3 |
| | 7.62 [.300] | 10.16 [.400] | 4 | 5-146138-2 |
| | 5.08 [.200] | 7.62 [.300] | 3 | 5-146138-1 |

THIS DRAWING IS A CONTROLLED DOCUMENT.

| | |
|-------------------------------|--|
| DWN M.BINNER OSNOV02 |  TE Connectivity Ltd. |
| CHK J.OLSON OSNOV02 | |
| APVD J.OLSON OSNOV02 | NAME |
| PRODUCT SPEC 108-25022 | REC ASSY, MOD IV, SR, .100 CL VRT BOARD MOUNT, CLOSED, TE SHORT PNT. OF CONTACT |
| APPLICATION SPEC 114-25018 | SIZE A2 |
| MATERIAL 1 | CAGE CODE 00779 |
| WEIGHT - | DRAWING NO C=146138 |
| FINISH 2 11 | RESTRICTED TO - |
| CUSTOMER DRAWING | SCALE 4:1 |
| | SHEET 2 of 2 |
| | REV L6 |

Компания «Life Electronics» занимается поставками электронных компонентов импортного и отечественного производства от производителей и со складов крупных дистрибьюторов Европы, Америки и Азии.

С конца 2013 года компания активно расширяет линейку поставок компонентов по направлению коаксиальный кабель, кварцевые генераторы и конденсаторы (керамические, пленочные, электролитические), за счёт заключения дистрибьюторских договоров

Мы предлагаем:

- Конкурентоспособные цены и скидки постоянным клиентам.
- Специальные условия для постоянных клиентов.
- Подбор аналогов.
- Поставку компонентов в любых объемах, удовлетворяющих вашим потребностям.
- Приемлемые сроки поставки, возможна ускоренная поставка.
- Доставку товара в любую точку России и стран СНГ.
- Комплексную поставку.
- Работу по проектам и поставку образцов.
- Формирование склада под заказчика.
- Сертификаты соответствия на поставляемую продукцию (по желанию клиента).
- Тестирование поставляемой продукции.
- Поставку компонентов, требующих военную и космическую приемку.
- Входной контроль качества.
- Наличие сертификата ISO.

В составе нашей компании организован Конструкторский отдел, призванный помогать разработчикам, и инженерам.

Конструкторский отдел помогает осуществить:

- Регистрацию проекта у производителя компонентов.
- Техническую поддержку проекта.
- Защиту от снятия компонента с производства.
- Оценку стоимости проекта по компонентам.
- Изготовление тестовой платы монтаж и пусконаладочные работы.



Тел: +7 (812) 336 43 04 (многоканальный)
Email: org@lifeelectronics.ru