

4

3

2

1

THIS DRAWING IS UNPUBLISHED.

RELEASED FOR PUBLICATION

© COPYRIGHT BY TYCO ELECTRONICS CORPORATION. ALL RIGHTS RESERVED.

LOC DIST

E B

REVISIONS

P	LTR	DESCRIPTION	DATE	DWN	APVD
C1		ECR-10-013553	26JUN10	KK	HMR

350.2(13.787)
349.8(13.771)

405(15.940)
395(15.556)

165.20(6.509)
164.80(6.493)

10.20(0.402)
9.60(0.386)

5.0(0.197)
4.4(0.181)
(6 OFF)

15.2(0.599)
14.8(0.583)
13.2(0.520)
12.8(0.504)

1.7(0.067)
1.3(0.051)

END SEAL
(SEE NOTE 3)

6.20(0.244)
5.80(0.229)

60.20(2.372)
59.80(2.356)

72.30(2.849)
71.70(2.825)

50.2(1.976)
49.8(1.961)

10.20(0.402)
9.80(0.386)

R 1.2(0.047)
0.8(0.031)
TYP

16-14 AWG (STRANDED) A/R (SEE NOTE 4)

C-34123 (2 OFF)
AMP TERMINAL RING

TJH1000 FROM RAW EXTRUSION FROM TE
PART NUMBER 0-1676489-1

SPECIFICATION TABLE

TE PART NO. - 0-1630955-1

POWER RATING	600W
POWER RATING 600W FOR A MAXIMUM CASE SURFACE TEMPERATURE OF 150 C	
RESISTANCE	5 Ohms
STANDARD TOLERANCE	+/- 10 %
INSULATION VOLTAGE AC rms	2.5KV
INSULATION RESISTANCE GOhm	>90
SERIES INDUCTANCE uH	6.5
OPERATING TEMPERATURE RANGE	-60 C TO +150 C
HEAT SINK RATING	0.38 C/W

NOTES:

- FINISH: EXTRUSION TO BE CLEAN AND DEBURRED
EXTRUSION TO BE ANODISED NATURAL CLEAR 9um +/- 1um
- INTERNAL FILLER FORTAFIX CEMENT
- END SEAL: BOTH ENDS TO BE SEALED WITH DOW CORNING 736 SEALANT
- WIRE: 32/0.2mm SILICONE COATED NICKEL COATED COPPER WIRE

MANUFACTURER: TE

ORDERING PROCEDURE:

QUOTE GOODRICH REFERENCE NUMBER, CURRENT ISSUE OF DRAWING
86603341, CURRENT ISSUE OF DRAWING

THIS ITEM IS FOR AEROSPACE APPLICATION AND IS SUBJECT TO TYPE APPROVAL. TESTING NO CHANGE TO ITEMS SUPPLIED TO THIS DESIGN STANDARD IS PERMITTED EXCEPT AS AUTHORIZED BY "GOODRICH CONTROL SYSTEMS LIMITED - ENGINE CONTROL SYSTEMS". ITEMS MAY BE PURCHASED EITHER FROM THE MANUFACTURER OR THEIR APPROVED AGENTS, BUT IN ALL CASES ALTERNATIVE MANUFACTURERS TO THOSE LISTED UNDER THE GOODRICH CONTROL SYSTEMS LIMITED - ENGINE CONTROL SYSTEMS PART NO. ARE NOT PERMITTED

Schedule

TE Part No.	Description	Customer Part No.
0-1630955-1	TJH1000 BRAKE RESISTOR (5 Ohms) 400mm Leads	090915-01

NOTE:

1

OBSOLETE

THIS DRAWING IS A CONTROLLED DOCUMENT.

DWN 05-09-03
Chris BolleCHK 05-09-03
Chris BolleAPVD 05-09-03
Jonathan Catchpole

PRODUCT SPEC

APPLICATION SPEC

WEIGHT

CUSTOMER DRAWING

Tyco
ElectronicsTyco Electronics Corporation
Dorcan, Swindon, GB

NAME

TJH1000 BRAKE RESISTOR

SIZE

A3

CAGE CODE

00779

DRAWING NO

C-1630955

RESTRICTED TO

-

SCALE 1:1

SHEET 1 OF 3

REV C1

AMP 1470-19 REV 31MAR2000

THIS DRAWING IS UNPUBLISHED.

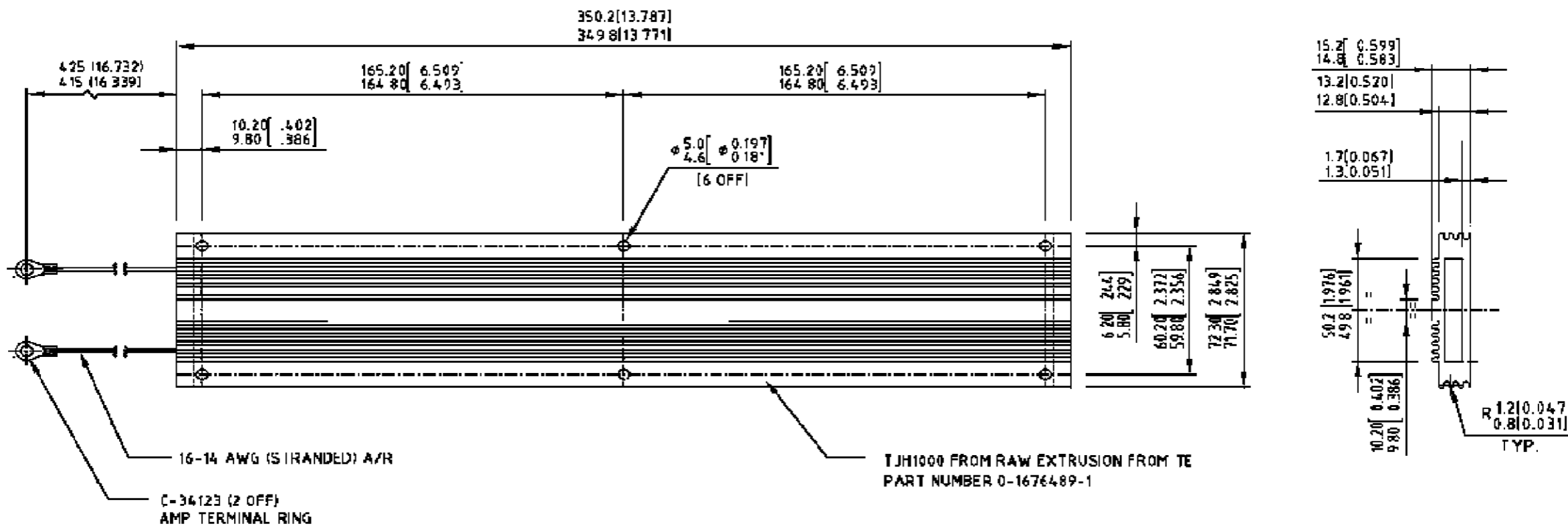
RELEASED FOR PUBLICATION

© COPYRIGHT BY TYCO ELECTRONICS CORPORATION. ALL RIGHTS RESERVED.

LOC E DIST B

REVISIONS

P	LTR	DESCRIPTION	DATE	OWN	APVD
	-	SEE SHEET 1	-	-	-



SPECIFICATION TABLE

TE Part No. : 0-1630955-2

POWER RATING	600W
POWER RATING 600W FOR A MAXIMUM CASE SURFACE TEMP RISE OF 150 C	
RESISTANCE	10 Ohms
STANDARD TOLERANCE	+/- 10 %
INSULATION VOLTAGE ACrms	2.5KV
INSULATION RESISTANCE GOhm	>90
SERIES INDUCTANCE uH	6.5
OPERATING TEMPERATURE RANGE	-60 C TO +150 C
HEAT SINK RATING	0.38 C/W

NOTES

1. FINISH : EXTRUSION TO BE CLEAN AND DEBURRED
EXTRUSION TO BE ANODISED NATURAL CLEAR 9um +/- 1um
2. INTERNAL FILLER FORTAFIX CEMENT.
3. END SEAL : BOTH ENDS TO BE SEALED WITH DOW CORNING 736 SEALANT
4. WIRE : 32/0.2mm SILICONE COATED NICKEL COATED COPPER WIRE.

MANUFACTURER - TE

ORDERING PROCEDURE :

QUOTE GOODRICH REFERENCE NUMBER, CURRENT ISSUE OF DRAWING 86603352, CURRENT ISSUE OF DRAWING

THIS ITEM IS FOR AEROSPACE APPLICATION AND IS SUBJECT TO TYPE APPROVAL TESTING. NO CHANGE TO ITEMS SUPPLIED TO THIS DESIGN STANDARD IS PERMITTED EXCEPT AS AUTHORIZED BY "GOODRICH CONTROL SYSTEMS LIMITED - ENGINE CONTROL SYSTEMS". ITEMS MAY BE PURCHASED EITHER FROM THE MANUFACTURER OR THEIR APPROVED AGENT'S, BUT IN ALL CASES ALTERNATIVE MANUFACTURERS TO THOSE LISTED UNDER THE GOODRICH CONTROL SYSTEMS LIMITED - ENGINE CONTROL SYSTEMS PART No. ARE NOT PERMITTED.

Schedule

TE Part No.	Description	Customer Part No.
0-1630955-2	TJH1000 BRAKE RESISTOR (10 Ohms) 420mm Leads	86603352

THIS DRAWING IS A CONTROLLED DOCUMENT.

DIMENSIONS:	TOLERANCES UNLESS OTHERWISE SPECIFIED:
MM	
	0 PLC ± -
	1 PLC ± 0.2
	2 PLC ± -
	3 PLC ± -
	4 PLC ± -
	ANGLES ± -
MATERIAL	FINISH
-	-

DWN 05-09-03

Chris Bolle

CHK 05-09-03

Chris Bolle

APVD 05-09-03

Jonathan Catchpole

PRODUCT SPEC

APPLICATION SPEC

WEIGHT

CUSTOMER DRAWING



Tyco Electronics Corporation
Dorcan, Swindon, GB

NAME

TJH1000 BRAKE RESISTOR

SIZE

CAGE CODE

DRAWING NO

RESTRICTED TO

A3

00779

C-1630955

-

SCALE 1:1

SHEET 2 OF 3

REV C1

THIS DRAWING IS UNPUBLISHED.

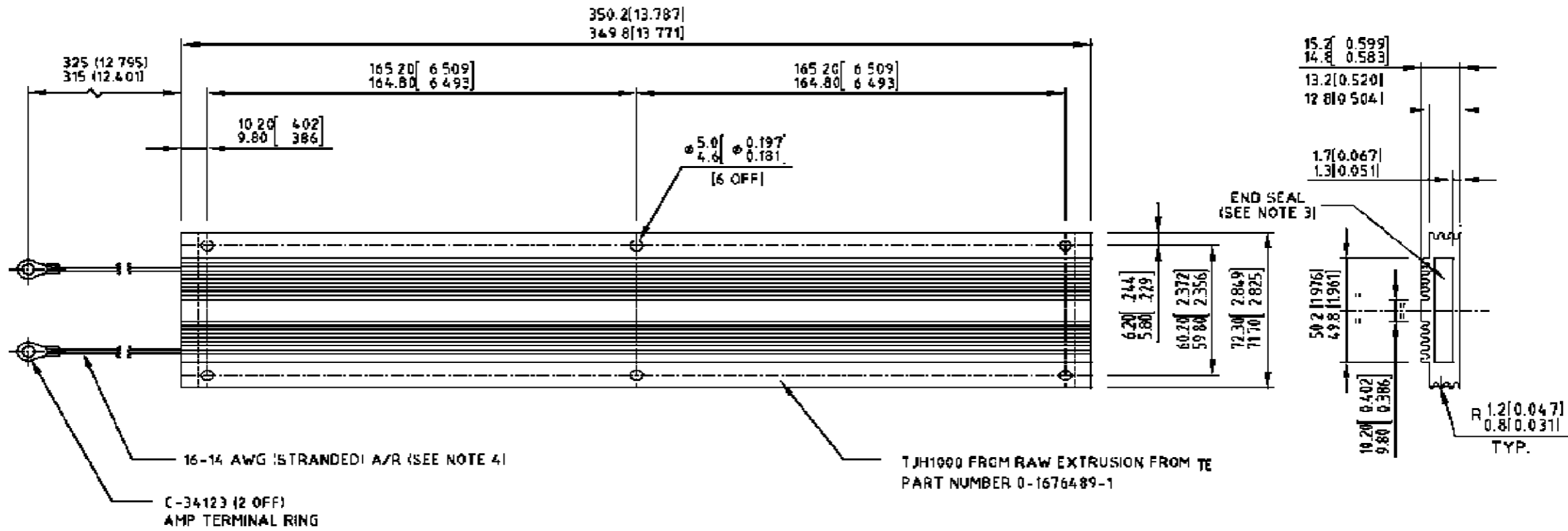
RELEASED FOR PUBLICATION

© COPYRIGHT BY TYCO ELECTRONICS CORPORATION. ALL RIGHTS RESERVED.

LOC E DIST B

REVISIONS

P	LTR	DESCRIPTION	DATE	DWN	APVD
		SEE SHEET 1			



SPECIFICATION TABLE

TE Part No. : 0-1630955-3

POWER RATING	600W
POWER RATING 600W FOR A MAXIMUM CASE SURFACE TEMP. RISE OF 150 C	
RESISTANCE	5 Ohms
STANDARD TOLERANCE	+/- 10 %
INSULATION VOLTAGE AC rms	2.5KV
INSULATION RESISTANCE GOhm	>90
SERIES INDUCTANCE uH	6.5
OPERATING TEMPERATURE RANGE	-60 C TO +150 C
HEAT SINK RATING	0.38 C/W

NOTES

1. FINISH : EXTRUSION TO BE CLEAN AND DEBURRED
EXTRUSION TO BE ANODISED NATURAL CLEAR 9um +/- 1um
2. INTERNAL FILLER FOR TAFIX CEMENT.
3. END SEAL : BOTH ENDS TO BE SEALED WITH DOW CORNING 736 SEALANT
4. WIRE : 32/0 2mm SILICONE COATED NICKEL COATED COPPER WIRE

MANUFACTURER : TE

ORDERING PROCEDURE :

QUOTE GOODRICH REFERENCE NUMBER, CURRENT ISSUE OF DRAWING 86603344, CURRENT ISSUE OF DRAWING

THIS ITEM IS FOR AEROSPACE APPLICATION AND IS SUBJECT TO TYPE APPROVAL TESTING. NO CHANGE TO ITEMS SUPPLIED TO THIS DESIGN STANDARD IS PERMITTED EXCEPT AS AUTHORIZED BY "GOODRICH CONTROL SYSTEMS LIMITED - ENGINE CONTROL SYSTEMS". ITEMS MAY BE PURCHASED EITHER FROM THE MANUFACTURER OR THEIR APPROVED AGENTS, BUT IN ALL CASES ALTERNATIVE MANUFACTURERS TO THOSE LISTED UNDER THE GOODRICH CONTROL SYSTEMS LIMITED - ENGINE CONTROL SYSTEMS PART No. ARE NOT PERMITTED.

Schedule

TE Part No.	Description	Customer Part No.
0-1630955-3	TJH1000 BRAKE RESISTOR (5 Ohms) 320mm Leads	86603344

THIS DRAWING IS A CONTROLLED DOCUMENT.

DIMENSIONS:	TOLERANCES UNLESS OTHERWISE SPECIFIED:
MM	
0 PLC	± -
1 PLC	± 0.2
2 PLC	± -
3 PLC	± -
4 PLC	± -
ANGLES	± -
FINISH	

DWN	Chris Bolle	05-09-03
CHK	Chris Bolle	05-09-03
APVD	Jonathan Catchpole	05-09-03
PRODUCT SPEC		
APPLICATION SPEC		
WEIGHT		
CUSTOMER DRAWING		

Tyco Electronics Corporation		Dorcan, Swindon, GB	
NAME			
TJH1000 BRAKE RESISTOR			
SIZE	CAGE CODE	DRAWING NO	RESTRICTED TO
A3	00779	C-1630955	-
SCALE 1:1		SHEET 3 OF 3	REV C1

Компания «Life Electronics» занимается поставками электронных компонентов импортного и отечественного производства от производителей и со складов крупных дистрибьюторов Европы, Америки и Азии.

С конца 2013 года компания активно расширяет линейку поставок компонентов по направлению коаксиальный кабель, кварцевые генераторы и конденсаторы (керамические, пленочные, электролитические), за счёт заключения дистрибьюторских договоров

Мы предлагаем:

- Конкурентоспособные цены и скидки постоянным клиентам.
- Специальные условия для постоянных клиентов.
- Подбор аналогов.
- Поставку компонентов в любых объемах, удовлетворяющих вашим потребностям.
- Приемлемые сроки поставки, возможна ускоренная поставка.
- Доставку товара в любую точку России и стран СНГ.
- Комплексную поставку.
- Работу по проектам и поставку образцов.
- Формирование склада под заказчика.
- Сертификаты соответствия на поставляемую продукцию (по желанию клиента).
- Тестирование поставляемой продукции.
- Поставку компонентов, требующих военную и космическую приемку.
- Входной контроль качества.
- Наличие сертификата ISO.

В составе нашей компании организован Конструкторский отдел, призванный помогать разработчикам, и инженерам.

Конструкторский отдел помогает осуществить:

- Регистрацию проекта у производителя компонентов.
- Техническую поддержку проекта.
- Защиту от снятия компонента с производства.
- Оценку стоимости проекта по компонентам.
- Изготовление тестовой платы монтаж и пусконаладочные работы.



Тел: +7 (812) 336 43 04 (многоканальный)

Email: org@lifeelectronics.ru