

FEATURES:

- **Organized as 64K x8 / 128K x8 / 256K x8**
- **4.5-5.5V Read Operation**
- **Superior Reliability**
 - Endurance: At least 1000 Cycles
 - Greater than 100 years Data Retention
- **Low Power Consumption**
 - Active Current: 20 mA (typical)
 - Standby Current: 10 μ A (typical)
- **Fast Read Access Time**
 - 70 ns
- **Fast Byte-Program Operation**
 - Byte-Program Time: 20 μ s (typical)
 - Chip Program Time:
 - 1.4 seconds (typical) for GLS27SF512
 - 2.8 seconds (typical) for GLS27SF010
 - 5.6 seconds (typical) for GLS27SF020
- **Electrical Erase Using Programmer**
 - Does not require UV source
 - Chip-Erase Time: 100 ms (typical)
- **TTL I/O Compatibility**
- **JEDEC Standard Byte-wide EPROM Pinouts**
- **Packages Available**
 - 32-lead PLCC
 - 32-lead TSOP (8mm x 14mm)
 - 32-pin PDIP for GLS27SF010/020
- **All non-Pb (lead-free) devices are RoHS compliant**

PRODUCT DESCRIPTION

The GLS27SF512/010/020 are a 64K x8 / 128K x8 / 256K x8 CMOS, Many-Time Programmable (MTP) low cost flash, manufactured with high performance SuperFlash technology. The split-gate cell design and thick oxide tunneling injector attain better reliability and manufacturability compared with alternate approaches. These MTP devices can be electrically erased and programmed at least 1000 times using an external programmer with a 12V power supply. They have to be erased prior to programming. These devices conform to JEDEC standard pinouts for byte-wide memories.

Featuring high-performance Byte-Program, the GLS27SF512/010/020 provide a Byte-Program time of 20 μ s. Designed, manufactured, and tested for a wide spectrum of applications, these devices are offered with an endurance of at least 1000 cycles. Data retention is rated at greater than 100 years.

The GLS27SF512/010/020 are suited for applications that require infrequent writes and low power nonvolatile storage. These devices will improve flexibility, efficiency, and performance while matching the low cost in nonvolatile applications that currently use UV-EPROMs, OTPs, and mask ROMs.

To meet surface mount and conventional through hole requirements, the GLS27SF512 are offered in 32-lead PLCC, 32-lead TSOP, and 28-pin PDIP packages. The GLS27SF010/020 are offered in 32-pin PDIP, 32-lead PLCC, and 32-lead TSOP packages. See Figures 3, 4, and 5 for pin assignments.

Device Operation

The GLS27SF512/010/020 are a low cost flash solution that can be used to replace existing UV-EPROM, OTP, and mask ROM sockets. These devices are functionally (read and program) and pin compatible with industry standard EPROM products. In addition to EPROM functionality, these devices also support electrical Erase operation via an external programmer. They do not require a UV source to erase, and therefore the packages do not have a window.

Read

The Read operation of the GLS27SF512/010/020 is controlled by CE# and OE#. Both CE# and OE# have to be low for the system to obtain data from the outputs. Once the address is stable, the address access time is equal to the delay from CE# to output (T_{CE}). Data is available at the output after a delay of T_{OE} from the falling edge of OE#, assuming that CE# pin has been low and the addresses

Data Sheet

have been stable for at least $T_{CE-T_{OE}}$. When the CE# pin is high, the chip is deselected and a typical standby current of 10 μ A is consumed. OE# is the output control and is used to gate data from the output pins. The data bus is in high impedance state when either CE# or OE# is high.

Byte-Program Operation

The GLS27SF512/010/020 are programmed by using an external programmer. The programming mode for GLS27SF010/020 is activated by asserting 11.4-12V on V_{PP} pin, V_{DD} = 4.5-5.5V, V_{IL} on CE# pin, and V_{IH} on OE# pin. The programming mode for GLS27SF512 is activated by asserting 11.4-12V on OE#/V_{PP} pin, V_{DD} = 4.5-5.5V, and V_{IL} on CE# pin. These devices are programmed byte-by-byte with the desired data at the desired address using a single pulse (CE# pin low for GLS27SF512 and PGM# pin low for GLS27SF010/020) of 20 μ s. Using the MTP programming algorithm, the Byte-Programming process continues byte-by-byte until the entire chip has been programmed.

Chip-Erase Operation

The only way to change a data from a “0” to “1” is by electrical erase that changes every bit in the device to “1”. Unlike traditional EPROMs, which use UV light to do the Chip-Erase, the GLS27SF512/010/020 uses an electrical Chip-Erase operation. This saves a significant amount of time (about 30 minutes for each Erase operation). The entire chip can be erased in a single pulse of 100 ms (CE# pin low for GLS27SF512 and PGM# pin for GLS27SF010/020). In order to activate the Erase mode for GLS27SF010/020, the 11.4-12V is applied to V_{PP} and A₉ pins, V_{DD} = 4.5-5.5V, V_{IL} on CE# pin, and V_{IH} on OE# pin. In order to activate Erase mode for GLS27SF512, the 11.4-12V is applied to OE#/V_{PP} and A₉ pins, V_{DD} = 4.5-5.5V, and V_{IL} on CE# pin. All other address and data pins are “don’t care”. The falling edge of CE# (PGM# for GLS27SF010/020) will start the Chip-Erase operation. Once the chip has been erased, all bytes must be verified for FFH. Refer to Figures 13 and 14 for the flowcharts.

Product Identification Mode

The Product Identification mode identifies the devices as the GLS27SF512, GLS27SF010 and GLS27SF020 and manufacturer as Greenliant. This mode may be accessed by the hardware method. To activate this mode for GLS27SF010/020, the programming equipment must force V_H (11.4-12V) on address A₉ with V_{PP} pin at V_{DD} (4.5-5.5V) or V_{SS}. To activate this mode for GLS27SF512, the programming equipment must force V_H (11.4-12V) on address A₉ with OE#/V_{PP} pin at V_{IL}. Two identifier bytes may then be sequenced from the device outputs by toggling address line A₀. For details, see Tables 3 and 4 for hardware operation.

TABLE 1: Product Identification

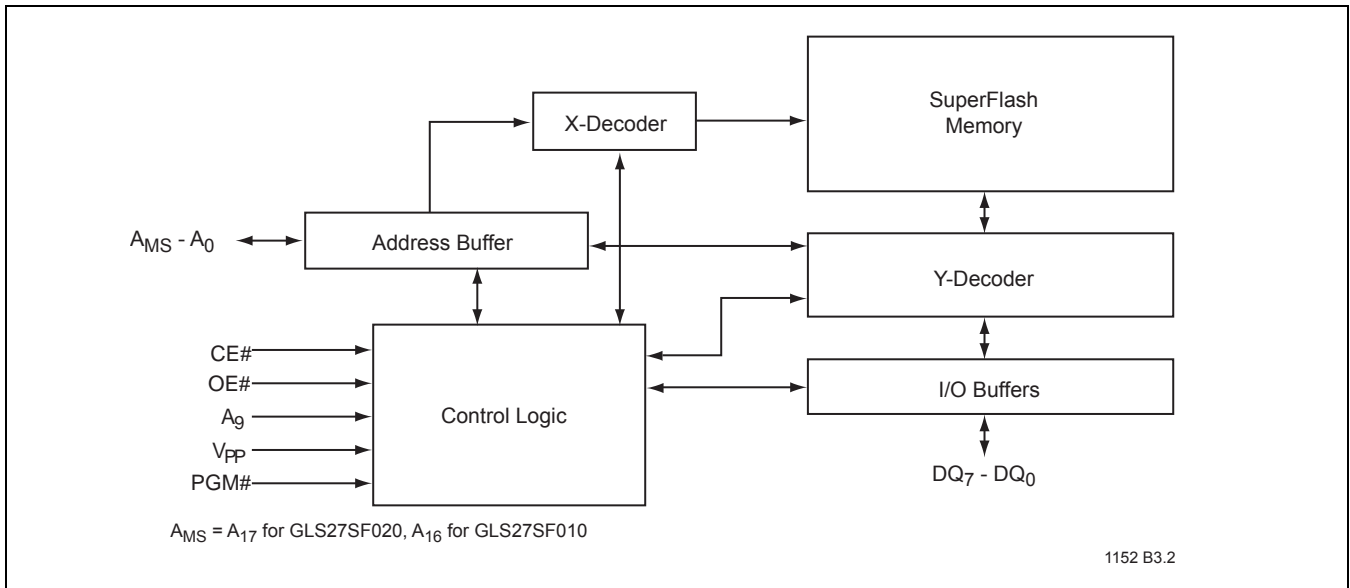
| | Address | Data |
|-------------------|---------|------|
| Manufacturer's ID | 0000H | BFH |
| Device ID | | |
| GLS27SF512 | 0001H | A4H |
| GLS27SF010 | 0001H | A5H |
| GLS27SF020 | 0001H | A6H |

T1.2 1152



1152 B2.1

FIGURE 1: Functional Block Diagram - GLS27SF512



AMS = A17 for GLS27SF020, A16 for GLS27SF010

1152 B3.2

FIGURE 2: Functional Block Diagram - GLS27SF010/020

Data Sheet



FIGURE 3: Pin Assignments for 32-lead PLCC



FIGURE 4: Pin Assignments for 32-lead TSOP (8mm x 14mm)



FIGURE 5: Pin Assignments for 28-pin and 32-pin PDIP

TABLE 2: Pin Description

| Symbol | Pin Name | Functions |
|----------------|-----------------------------------|---|
| $A_{MS}^1-A_0$ | Address Inputs | To provide memory addresses |
| DQ7-DQ0 | Data Input/output | To output data during Read cycles and receive input data during Program cycles The outputs are in tri-state when OE# or CE# is high. |
| CE# | Chip Enable | To activate the device when CE# is low |
| OE# | Output Enable | For GLS27SF010/020, to gate the data output buffers during Read operation |
| OE#/VPP | Output Enable/VPP | For GLS27SF512, to gate the data output buffers during Read operation and high voltage pin during Chip-Erase and programming operation |
| VPP | Power Supply for Program or Erase | For GLS27SF010/020, high voltage pin during Chip-Erase and programming operation 11.4-12V |
| VDD | Power Supply | To provide 5.0V supply (4.5-5.5V) |
| VSS | Ground | |
| NC | No Connection | Unconnected pins. |

1. A_{MS} = Most significant address
 A_{MS} = A_{15} for GLS27SF512, A_{16} for GLS27SF010, and A_{17} for GLS27SF020

T2.4 1152

Data Sheet

TABLE 3: Operation Modes Selection for GLS27SF512

| Mode | CE# | OE#/V _{PP} | A ₉ | DQ | Address |
|------------------------|-----------------|---------------------|-----------------|--|--|
| Read | V _{IL} | V _{IL} | A _{IN} | D _{OUT} | A _{IN} |
| Output Disable | V _{IL} | V _{IH} | X ¹ | High Z | X |
| Program | V _{IL} | V _{PPH} | A _{IN} | D _{IN} | A _{IN} |
| Standby | V _{IH} | X | X | High Z | X |
| Chip-Erase | V _{IL} | V _{PPH} | V _H | High Z | X |
| Program/Erase Inhibit | V _{IH} | V _{PPH} | X | High Z | X |
| Product Identification | V _{IL} | V _{IL} | V _H | Manufacturer's ID (BFH) Device ID (A4H) | A ₁₅ -A ₁ =V _{IL} , A ₀ =V _{IL} A ₁₅ -A ₁ =V _{IL} , A ₀ =V _{IH} |

T3.2 1152

 1. X can be V_{IL} or V_{IH}, but no other value.

Note: V_{PPH} = 11.4-12V, V_H = 11.4-12V

TABLE 4: Operation Modes Selection for GLS27SF010/020

| Mode | CE# | OE# | PGM# | A ₉ | V _{PP} | DQ | Address |
|------------------------|-----------------|-----------------|-----------------|-----------------|------------------------------------|---|--|
| Read | V _{IL} | V _{IL} | X ¹ | A _{IN} | V _{DD} or V _{SS} | D _{OUT} | A _{IN} |
| Output Disable | V _{IL} | V _{IH} | X | X | V _{DD} or V _{SS} | High Z | A _{IN} |
| Program | V _{IL} | V _{IH} | V _{IL} | A _{IN} | V _{PPH} | D _{IN} | A _{IN} |
| Standby | V _{IH} | X | X | X | V _{DD} or V _{SS} | High Z | X |
| Chip-Erase | V _{IL} | V _{IH} | V _{IL} | V _H | V _{PPH} | High Z | X |
| Program/Erase Inhibit | V _{IH} | X | X | X | V _{PPH} | High Z | X |
| Product Identification | V _{IL} | V _{IL} | X | V _H | V _{DD} or V _{SS} | Manufacturer's ID (BFH) Device ID ² | A _{MS} ³ - A ₁ =V _{IL} , A ₀ =V _{IL} A _{MS} ³ - A ₁ =V _{IL} , A ₀ =V _{IH} |

T4.2 1152

 1. X can be V_{IL} or V_{IH}, but no other value.

2. Device ID = A5H for GLS27SF010 and A6H for GLS27SF020

 3. A_{MS} = Most significant address

 A_{MS} = A₁₆ for GLS27SF010 and A₁₇ for GLS27SF020

Note: V_{PPH} = 11.4-12V, V_H = 11.4-12V

Absolute Maximum Stress Ratings (Applied conditions greater than those listed under “Absolute Maximum Stress Ratings” may cause permanent damage to the device. This is a stress rating only and functional operation of the device at these conditions or conditions greater than those defined in the operational sections of this data sheet is not implied. Exposure to absolute maximum stress rating conditions may affect device reliability.)

| | |
|---|--------------------------------|
| Temperature Under Bias | -55°C to +125°C |
| Storage Temperature | -65°C to +150°C |
| D. C. Voltage on Any Pin to Ground Potential | -0.5V to V _{DD} +0.5V |
| Transient Voltage (<20 ns) on Any Pin to Ground Potential | -2.0V to V _{DD} +2.0V |
| Voltage on A ₉ and V _{PP} Pin to Ground Potential | -0.5V to 14.0V |
| Package Power Dissipation Capability (T _A = 25°C) | 1.0W |
| Through Hole Lead Soldering Temperature (10 Seconds) | 300°C |
| Surface Mount Solder Reflow Temperature ¹ | 260°C for 10 seconds |
| Output Short Circuit Current ² | 100 mA |

1. Excluding certain with-Pb 32-PLCC units, all packages are 260°C capable in both non-Pb and with-Pb solder versions. Certain with-Pb 32-PLCC package types are capable of 240°C for 10 seconds; please consult the factory for the latest information.
2. Outputs shorted for no more than one second. No more than one output shorted at a time.

OPERATING RANGE

| Range | Ambient Temp | V _{DD} | V _{PP} |
|------------|--------------|-----------------|-----------------|
| Commercial | 0°C to +70°C | 4.5-5.5V | 11.4-12V |

AC CONDITIONS OF TEST

| | |
|-----------------------|----------------------------------|
| Input Rise/Fall Time | 10 ns |
| Output Load | C _L = 30 pF for 70 ns |
| See Figures 11 and 12 | |

TABLE 5: Read Mode DC Operating Characteristics for GLS27SF512/010/020
 V_{DD} = 4.5-5.5V, V_{PP}=V_{DD} or V_{SS} (T_A = 0°C to +70°C (Commercial))

| Symbol | Parameter | Limits | | | Test Conditions |
|------------------|--|--------|----------------------|-------|--|
| | | Min | Max | Units | |
| I _{DD} | V _{DD} Read Current | | 30 | mA | Address input=V _{ILT} /V _{IHT} at f=1/T _{RC} Min V _{DD} =V _{DD} Max CE#=OE#=V _{IL} , all I/Os open |
| I _{PPR} | V _{PP} Read Current | | 100 | µA | Address input=V _{ILT} /V _{IHT} at f=1/T _{RC} Min V _{DD} =V _{DD} Max, V _{PP} =V _{DD} CE#=OE#=V _{IL} , all I/Os open |
| I _{SB1} | Standby V _{DD} Current (TTL input) | | 3 | mA | CE#=V _{IH} , V _{DD} =V _{DD} Max |
| I _{SB2} | Standby V _{DD} Current (CMOS input) | | 100 | µA | CE#=V _{DD} -0.3 V _{DD} =V _{DD} Max |
| I _{LI} | Input Leakage Current | | 1 | µA | V _{IN} =GND to V _{DD} , V _{DD} =V _{DD} Max |
| I _{LO} | Output Leakage Current | | 10 | µA | V _{OUT} =GND to V _{DD} , V _{DD} =V _{DD} Max |
| V _{IL} | Input Low Voltage | | 0.8 | V | V _{DD} =V _{DD} Min |
| V _{IH} | Input High Voltage | 2.0 | V _{DD} +0.5 | V | V _{DD} =V _{DD} Max |
| V _{OL} | Output Low Voltage | | 0.2 | V | I _{OL} =2.1 mA, V _{DD} =V _{DD} Min |
| V _{OH} | Output High Voltage | 2.4 | | V | I _{OH} =-400 µA, V _{DD} =V _{DD} Min |
| I _H | Supervoltage Current for A ₉ | | 200 | µA | CE#=OE#=V _{IL} , A ₉ =V _H Max |

T5.6 1152

Data Sheet

TABLE 6: Program/Erase DC Operating Characteristics for GLS27SF512

$V_{DD}=4.5-5.5V$, $V_{PP}=V_{PPH}$ ($T_A=25^{\circ}C\pm 5^{\circ}C$)

| Symbol | Parameter | Limits | | | Test Conditions |
|-----------|------------------------------------|--------|-----|---------|--|
| | | Min | Max | Units | |
| I_{DD} | V_{DD} Erase or Program Current | | 30 | mA | $CE\#=V_{IL}$, $OE\#/V_{PP}=11.4-12V$, $V_{DD}=V_{DD}$ Max |
| I_{PP} | V_{PP} Erase or Program Current | | 3 | mA | $CE\#=V_{IL}$, $OE\#/V_{PP}=11.4-12V$, $V_{DD}=V_{DD}$ Max |
| I_{LI} | Input Leakage Current | | 1 | μA | $V_{IN}=GND$ to V_{DD} , $V_{DD}=V_{DD}$ Max |
| I_{LO} | Output Leakage Current | | 10 | μA | $V_{OUT}=GND$ to V_{DD} , $V_{DD}=V_{DD}$ Max |
| V_H | Supervoltage for A_9 | 11.4 | 12 | V | $CE\#=OE\#/V_{PP}=V_{IL}$, |
| I_H | Supervoltage Current for A_9 | | 200 | μA | $CE\#=OE\#/V_{PP}=V_{IL}$, $A_9=V_H$ Max |
| V_{PPH} | High Voltage for $OE\#/V_{PP}$ Pin | 11.4 | 12 | V | |

T6.5 1152

TABLE 7: Program/Erase DC Operating Characteristics for GLS27SF010/020

$V_{DD}=4.5-5.5V$, $V_{PP}=V_{PPH}$ ($T_A=25^{\circ}C\pm 5^{\circ}C$)

| Symbol | Parameter | Limits | | | Test Conditions |
|-----------|-----------------------------------|--------|-----|---------|---|
| | | Min | Max | Units | |
| I_{DD} | V_{DD} Erase or Program Current | | 30 | mA | $CE\#=PGM\#=V_{IL}$, $OE\#=V_{IH}$, $V_{PP}=11.4-12V$, $V_{DD}=V_{DD}$ Max |
| I_{PP} | V_{PP} Erase or Program Current | | 3 | mA | $CE\#=PGM\#=V_{IL}$, $OE\#=V_{IH}$, $V_{PP}=11.4-12V$, $V_{DD}=V_{DD}$ Max |
| I_{LI} | Input Leakage Current | | 1 | μA | $V_{IN}=GND$ to V_{DD} , $V_{DD}=V_{DD}$ Max |
| I_{LO} | Output Leakage Current | | 10 | μA | $V_{OUT}=GND$ to V_{DD} , $V_{DD}=V_{DD}$ Max |
| V_H | Supervoltage for A_9 | 11.4 | 12 | V | $CE\#=OE\#=V_{IL}$, |
| I_H | Supervoltage Current for A_9 | | 200 | μA | $CE\#=OE\#=V_{IL}$, $A_9=V_H$ Max |
| V_{PPH} | High Voltage for V_{PP} Pin | 11.4 | 12 | V | |

T7.5 1152

TABLE 8: Recommended System Power-up Timings

| Symbol | Parameter | Minimum | Units |
|------------------|-----------------------------|---------|---------|
| $T_{PU-READ}^1$ | Power-up to Read Operation | 100 | μs |
| $T_{PU-WRITE}^1$ | Power-up to Write Operation | 100 | μs |

T8.1 1152

1. This parameter is measured only for initial qualification and after a design or process change that could affect this parameter.

TABLE 9: Capacitance ($T_A = 25^{\circ}C$, $f=1$ Mhz, other pins open)

| Parameter | Description | Test Condition | Maximum |
|-------------|---------------------|----------------|---------|
| $C_{I/O}^1$ | I/O Pin Capacitance | $V_{I/O} = 0V$ | 12 pF |
| C_{IN}^1 | Input Capacitance | $V_{IN} = 0V$ | 6 pF |

T9.0 1152

1. This parameter is measured only for initial qualification and after a design or process change that could affect this parameter.

TABLE 10: Reliability Characteristics

| Symbol | Parameter | Minimum Specification | Units | Test Method |
|-------------|----------------|-----------------------|--------|---------------------|
| N_{END}^1 | Endurance | 1000 | Cycles | JEDEC Standard A117 |
| T_{DR}^1 | Data Retention | 100 | Years | JEDEC Standard A103 |

T10.3 1152

1. This parameter is measured only for initial qualification and after a design or process change that could affect this parameter.

AC CHARACTERISTICS

TABLE 11: Read Cycle Timing Parameters $V_{DD} = 4.5-5.5V$ ($T_A = 0^\circ C$ to $+70^\circ C$ (Commercial))

| Symbol | Parameter | Min | Max | Units |
|-------------|---------------------------------|-----|-----|-------|
| T_{RC} | Read Cycle Time | 70 | | ns |
| T_{CE} | Chip Enable Access Time | | 70 | ns |
| T_{AA} | Address Access Time | | 70 | ns |
| T_{OE} | Output Enable Access Time | | 35 | ns |
| T_{CLZ}^1 | CE# Low to Active Output | 0 | | ns |
| T_{OLZ}^1 | OE# Low to Active Output | 0 | | ns |
| T_{CHZ}^1 | CE# High to High-Z Output | | 25 | ns |
| T_{OHZ}^1 | OE# High to High-Z Output | | 25 | ns |
| T_{OH}^1 | Output Hold from Address Change | 0 | | ns |

T11.3 1152

1. This parameter is measured only for initial qualification and after a design or process change that could affect this parameter.

TABLE 12: Program/Erase Cycle Timing Parameters for GLS27SF512

| Symbol | Parameter | Min | Max | Units |
|-----------|---------------------------------------|-----|-----|---------|
| T_{AS} | Address Setup Time | 1 | | μs |
| T_{AH} | Address Hold Time | 1 | | μs |
| T_{PRT} | OE#/ V_{PP} Pulse Rise Time | 50 | | ns |
| T_{VPS} | OE#/ V_{PP} Setup Time | 1 | | μs |
| T_{VPH} | OE#/ V_{PP} Hold Time | 1 | | μs |
| T_{PW} | CE# Program Pulse Width | 20 | 30 | μs |
| T_{EW} | CE# Erase Pulse Width | 100 | 500 | ms |
| T_{DS} | Data Setup Time | 1 | | μs |
| T_{DH} | Data Hold Time | 1 | | μs |
| T_{VR} | OE#/ V_{PP} and A_9 Recovery Time | 1 | | μs |
| T_{ART} | A_9 Rise Time to 12V during Erase | 50 | | ns |
| T_{A9S} | A_9 Setup Time during Erase | 1 | | μs |
| T_{A9H} | A_9 Hold Time during Erase | 1 | | μs |

T12.0 1152

Data Sheet

TABLE 13: Program/Erase Cycle Timing Parameters for GLS27SF010/020

| Symbol | Parameter | Min | Max | Units |
|------------------|--|-----|-----|-------|
| T _{CES} | CE# Setup Time | 1 | | μs |
| T _{CEH} | CE# Hold Time | 1 | | μs |
| T _{AS} | Address Setup Time | 1 | | μs |
| T _{AH} | Address Hold Time | 1 | | μs |
| T _{PRT} | V _{PP} Pulse Rise Time | 50 | | ns |
| T _{VPS} | V _{PP} Setup Time | 1 | | μs |
| T _{VPH} | V _{PP} Hold Time | 1 | | μs |
| T _{PW} | PGM# Program Pulse Width | 20 | 30 | μs |
| T _{EW} | PGM# Erase Pulse Width | 100 | 500 | ms |
| T _{DS} | Data Setup Time | 1 | | μs |
| T _{DH} | Data Hold Time | 1 | | μs |
| T _{VR} | A ₉ Recovery Time for Erase | 1 | | μs |
| T _{ART} | A ₉ Rise Time to 12V during Erase | 50 | | ns |
| T _{A9S} | A ₉ Setup Time during Erase | 1 | | μs |
| T _{A9H} | A ₉ Hold Time during Erase | 1 | | μs |

T13.0 1152



FIGURE 6: Read Cycle Timing Diagram for GLS27SF512/010/020

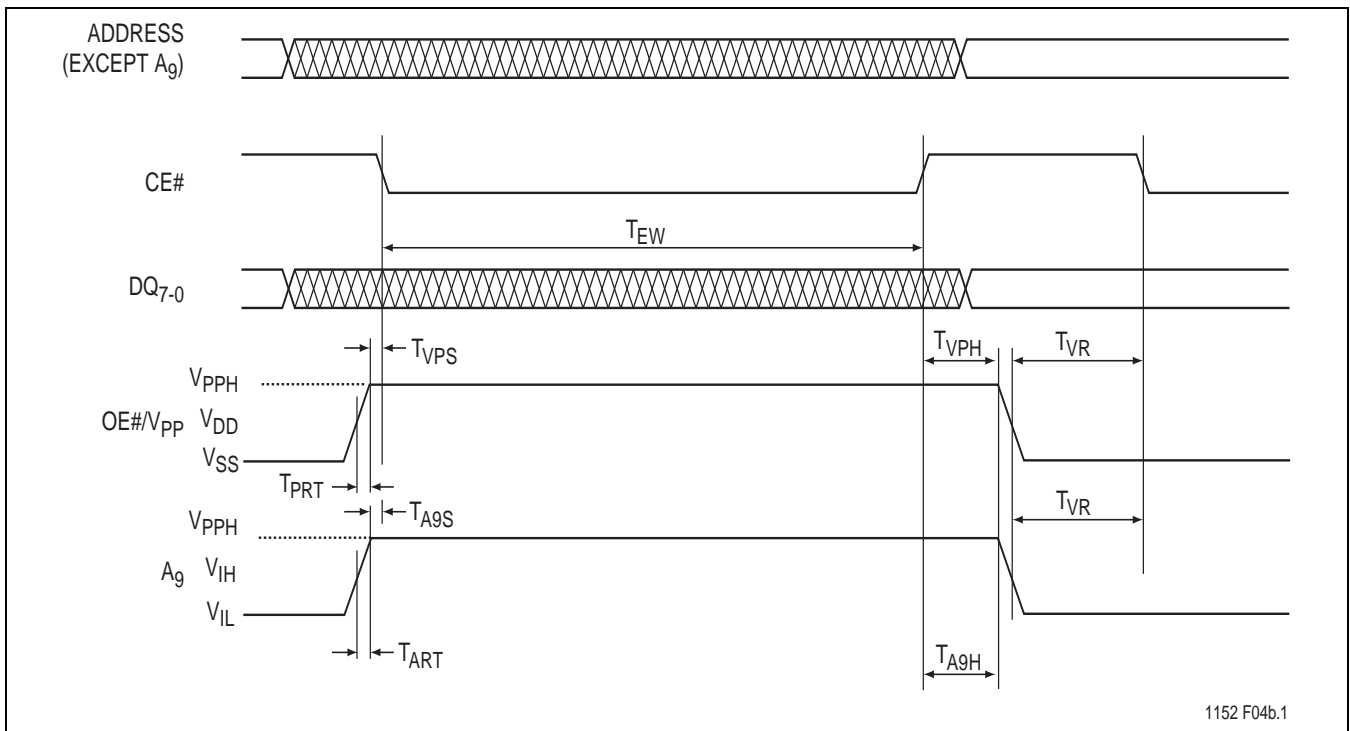


FIGURE 7: Chip-Erase Timing Diagram for GLS27SF512

Data Sheet

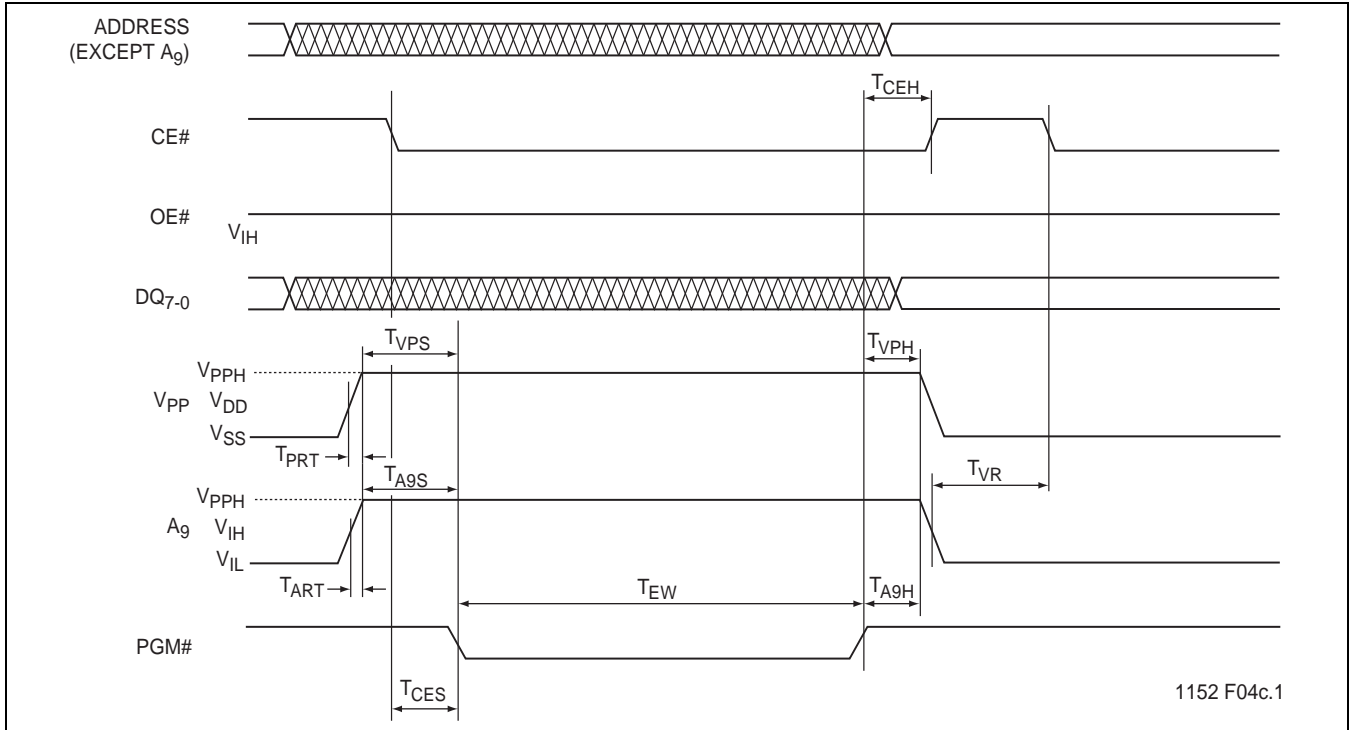
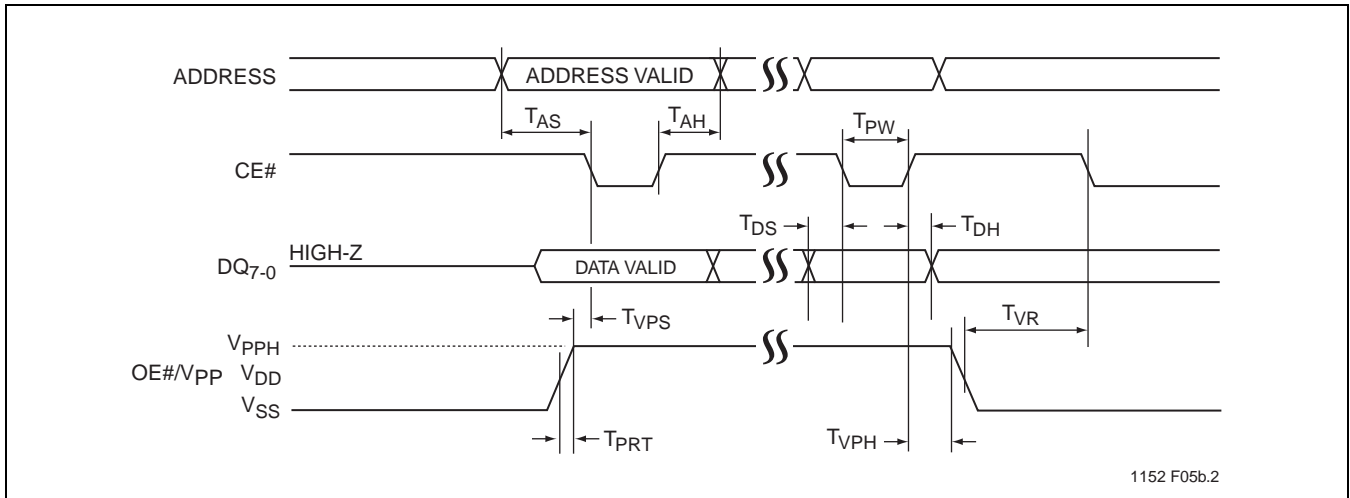

FIGURE 8: Chip-Erase Timing Diagram for GLS27SF010/020

FIGURE 9: Byte-Program Timing Diagram for GLS27SF512

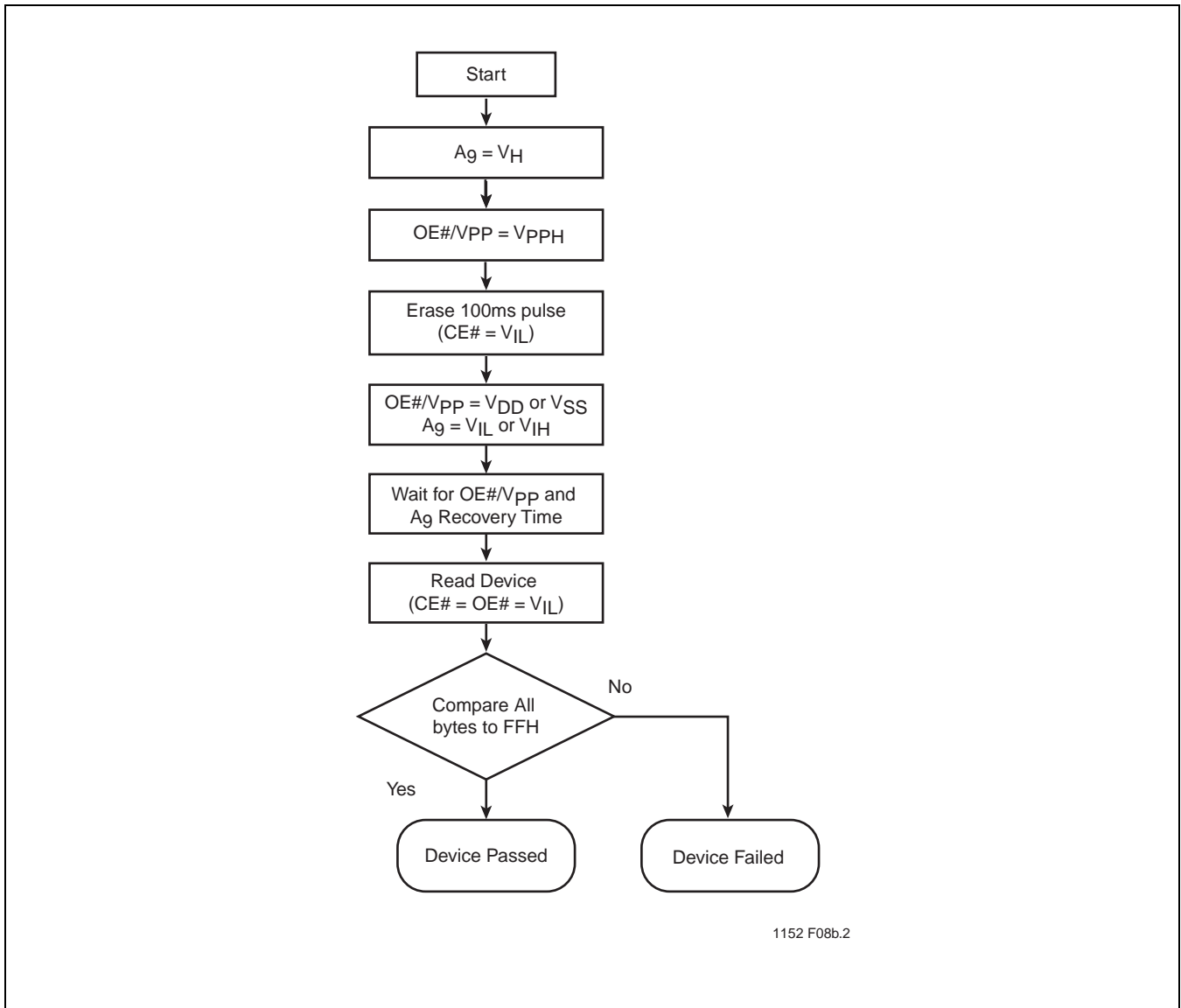


FIGURE 10: Byte-Program Timing Diagram for GLS27SF010/020

Data Sheet


FIGURE 11: AC Input/Output Reference Waveforms

FIGURE 12: A Test Load Example



1152 F08b.2

FIGURE 13: Chip-Erase Algorithm for GLS27SF512



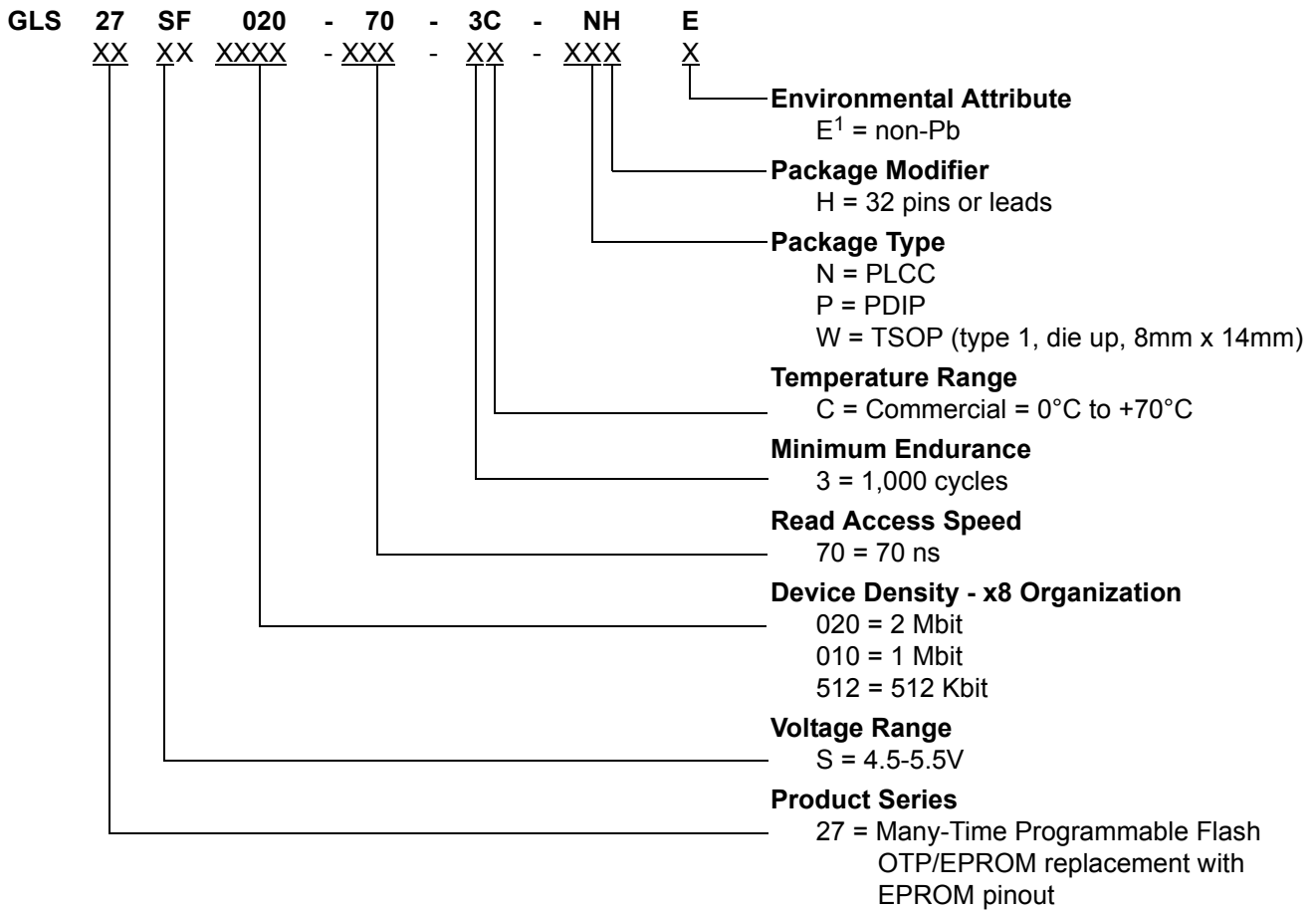
FIGURE 14: Chip-Erase Algorithm for GLS27SF010/020



FIGURE 15: Byte-Program Algorithm for GLS27SF512


FIGURE 16: Byte-Program Algorithm for GLS27SF010/020

PRODUCT ORDERING INFORMATION



1. Environmental suffix "E" denotes non-Pb solder. Greenliant non-Pb solder devices are "RoHS Compliant".

Valid combinations for GLS27SF512

GLS27SF512-70-3C-NHE GLS27SF512-70-3C-WHE

Valid combinations for GLS27SF010

GLS27SF010-70-3C-NHE GLS27SF010-70-3C-WHE GLS27SF010-70-3C-PHE

Valid combinations for GLS27SF020

GLS27SF020-70-3C-NHE GLS27SF020-70-3C-WHE GLS27SF020-70-3C-PHE

Note: Valid combinations are those products in mass production or will be in mass production. Consult your Greenliant sales representative to confirm availability of valid combinations and to determine availability of new combinations.

Data Sheet

PACKAGING DIAGRAMS


FIGURE 17: 32-lead Plastic Lead Chip Carrier (PLCC)
Greenliant Package Code: NH



**FIGURE 18: 32-lead Thin Small Outline Package (TSOP) 8mm x 14mm
 Greenliant Package Code: WH**

Data Sheet



**FIGURE 19: 32-pin Plastic Dual In-line Pins (PDIP)
 Greenliant Package Code: PH**

TABLE 14: Revision History

| Number | Description | Date |
|--------|---|----------|
| 02 | • 2002 Data Book | Feb 2002 |
| 03 | • Document Control Release (SST Internal): No technical changes | Apr 2002 |
| 04 | • Corrected I _H Supervoltage Current for A ₉ from 100 μA to 200 μA in Tables 5, 6, and 7 | Jul 2002 |
| 05 | • Corrected the Test Conditions for I _{DD} and I _{PPR} in Table 5 on page 7 | Sep 2003 |
| 06 | • Corrected the Max value for I _{PP} from 1 mA to 3 mA (See Tables 6 and 7) • Added MPNs for non-PB packages (See page 19) | Nov 2003 |
| 07 | • 2004 Data Book • Corrected caption for Figure 7 from “Read Cycle” to “Chip-Erase” | Nov 2003 |
| 08 | • Removed 256 Kbit parts - refer to EOL Product Data Sheet S71152(02) | Apr 2004 |
| 09 | • Removed all 90 ns parts - refer to EOL Product Data Sheet S71152(03) • Added RoHS compliance information on page 1 and in the “Product Ordering Information” on page 19 • Added the solder reflow temperature to the “Absolute Maximum Stress Ratings” on page 7. | Mar 2005 |
| 10 | • Removed obsolete Latch-up parameter from Table 10 on page 8 | May 2005 |
| 11 | • Corrected V _{PP} voltage from 11.4-12.6V to 11.4-12V | Sep 2005 |
| 12 | • Removed leaded parts. See S71152(04) • End-of-Life PG package and PG valid combination. See S71152(04) | Sep 2008 |
| 13 | • Transferred from SST to Greenliant | May 2010 |

© 2010 Greenliant Systems, Ltd. All rights reserved.

Greenliant, the Greenliant logo and NANDrive are trademarks of Greenliant Systems, Ltd.

All trademarks and registered trademarks are the property of their respective owners.

These specifications are subject to change without notice.

MTP is a trademark and SuperFlash is a registered trademark of Silicon Storage Technology, Inc., a wholly owned subsidiary of Microchip Technology Inc.

Компания «Life Electronics» занимается поставками электронных компонентов импортного и отечественного производства от производителей и со складов крупных дистрибьюторов Европы, Америки и Азии.

С конца 2013 года компания активно расширяет линейку поставок компонентов по направлению коаксиальный кабель, кварцевые генераторы и конденсаторы (керамические, пленочные, электролитические), за счёт заключения дистрибьюторских договоров

Мы предлагаем:

- Конкурентоспособные цены и скидки постоянным клиентам.
- Специальные условия для постоянных клиентов.
- Подбор аналогов.
- Поставку компонентов в любых объемах, удовлетворяющих вашим потребностям.
- Приемлемые сроки поставки, возможна ускоренная поставка.
- Доставку товара в любую точку России и стран СНГ.
- Комплексную поставку.
- Работу по проектам и поставку образцов.
- Формирование склада под заказчика.
- Сертификаты соответствия на поставляемую продукцию (по желанию клиента).
- Тестирование поставляемой продукции.
- Поставку компонентов, требующих военную и космическую приемку.
- Входной контроль качества.
- Наличие сертификата ISO.

В составе нашей компании организован Конструкторский отдел, призванный помогать разработчикам, и инженерам.

Конструкторский отдел помогает осуществить:

- Регистрацию проекта у производителя компонентов.
- Техническую поддержку проекта.
- Защиту от снятия компонента с производства.
- Оценку стоимости проекта по компонентам.
- Изготовление тестовой платы монтаж и пусконаладочные работы.



Тел: +7 (812) 336 43 04 (многоканальный)

Email: org@lifeelectronics.ru