

FIG. 1

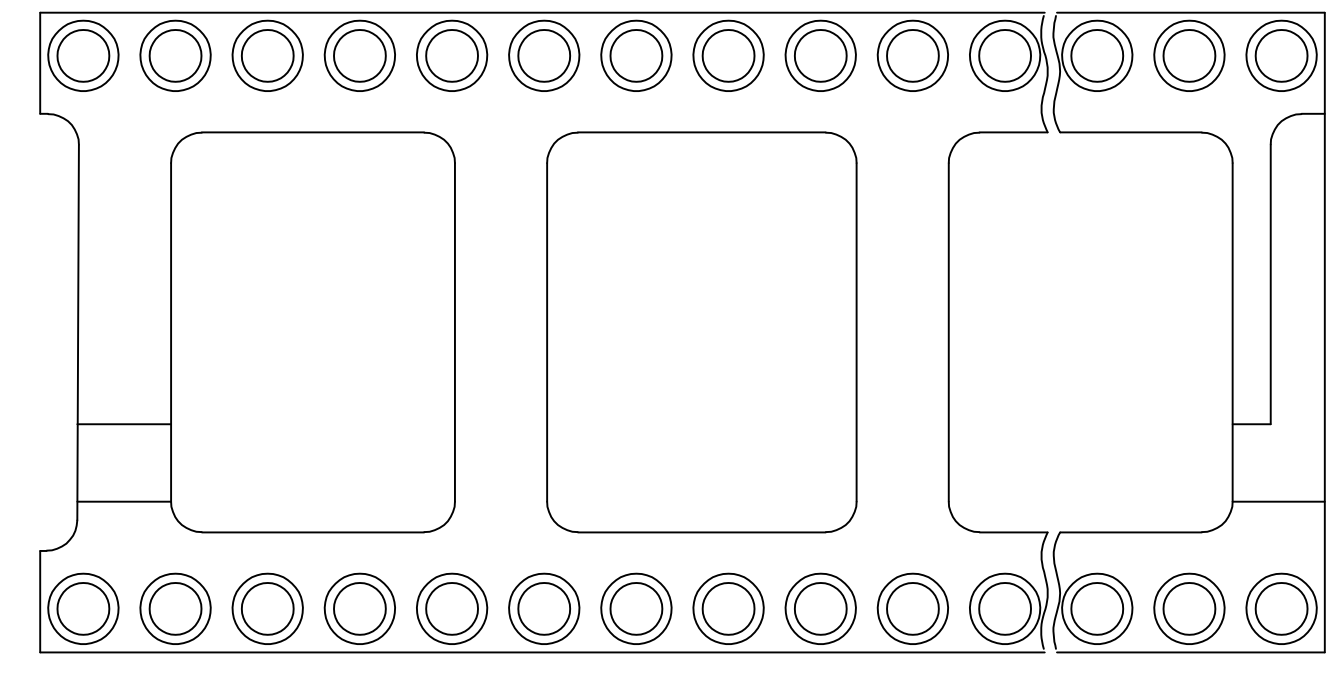


FIG. 2

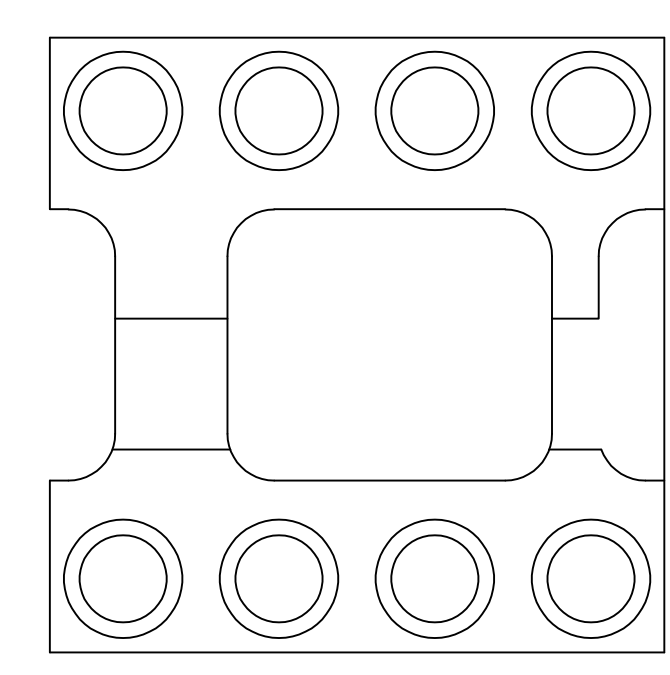
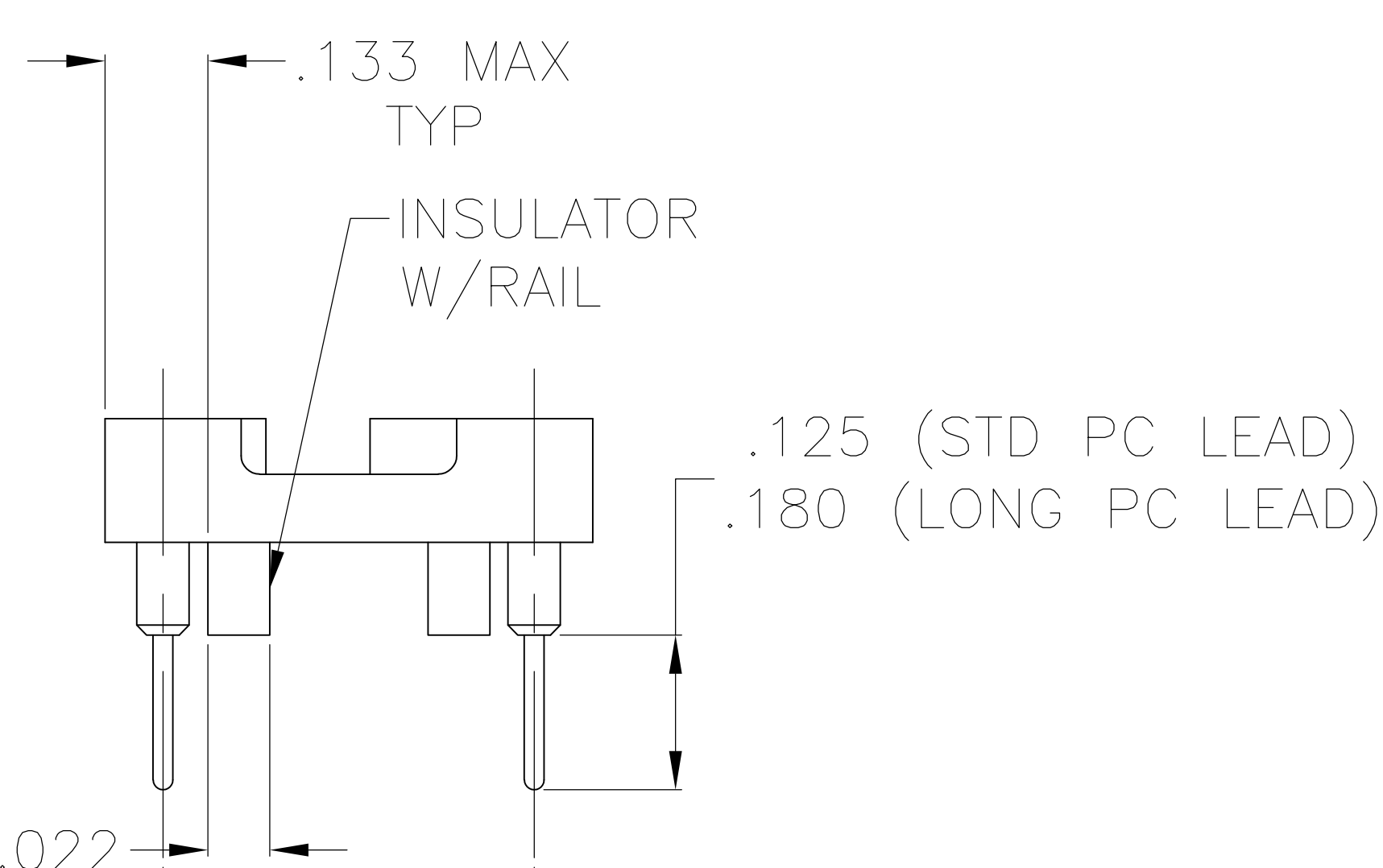
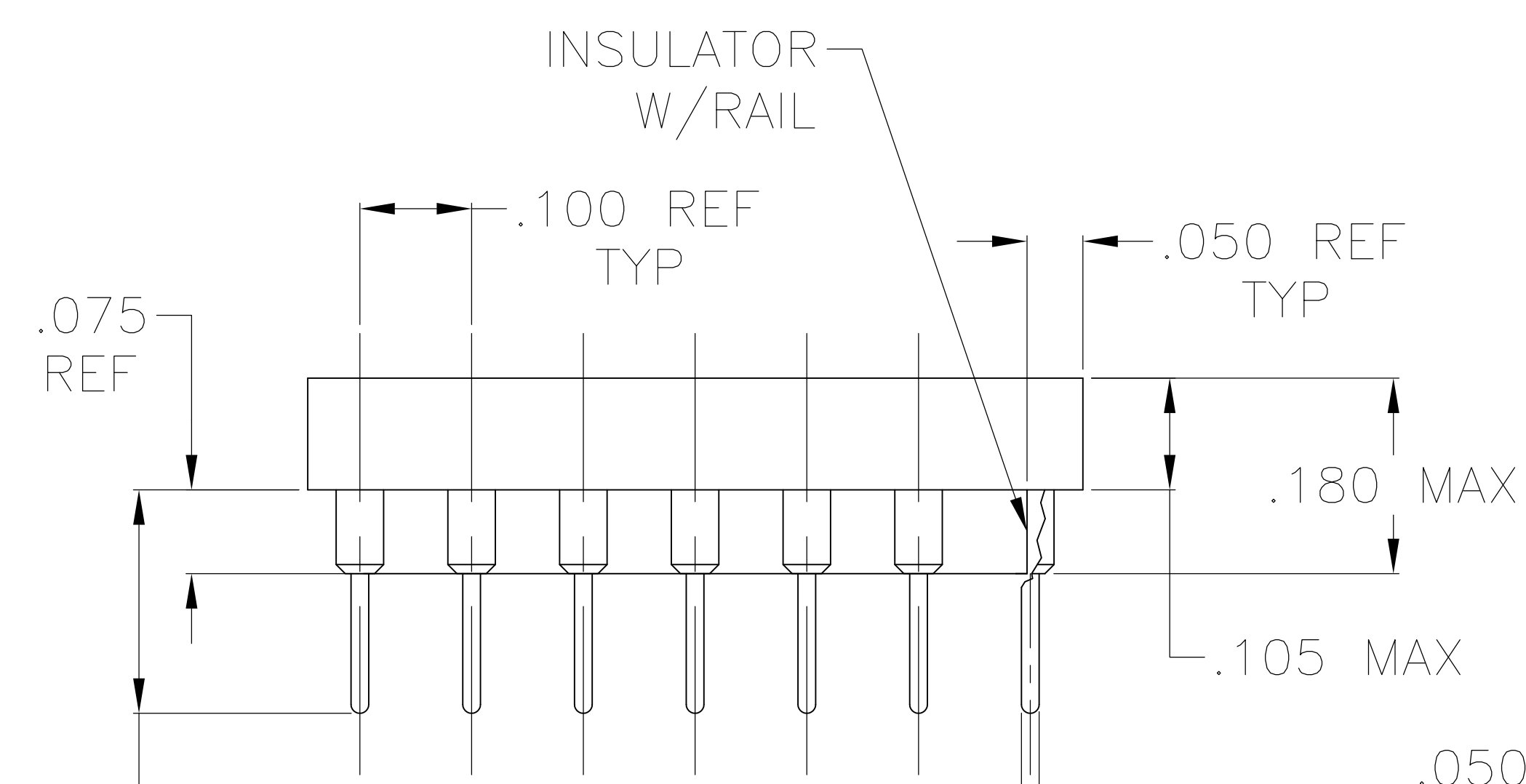
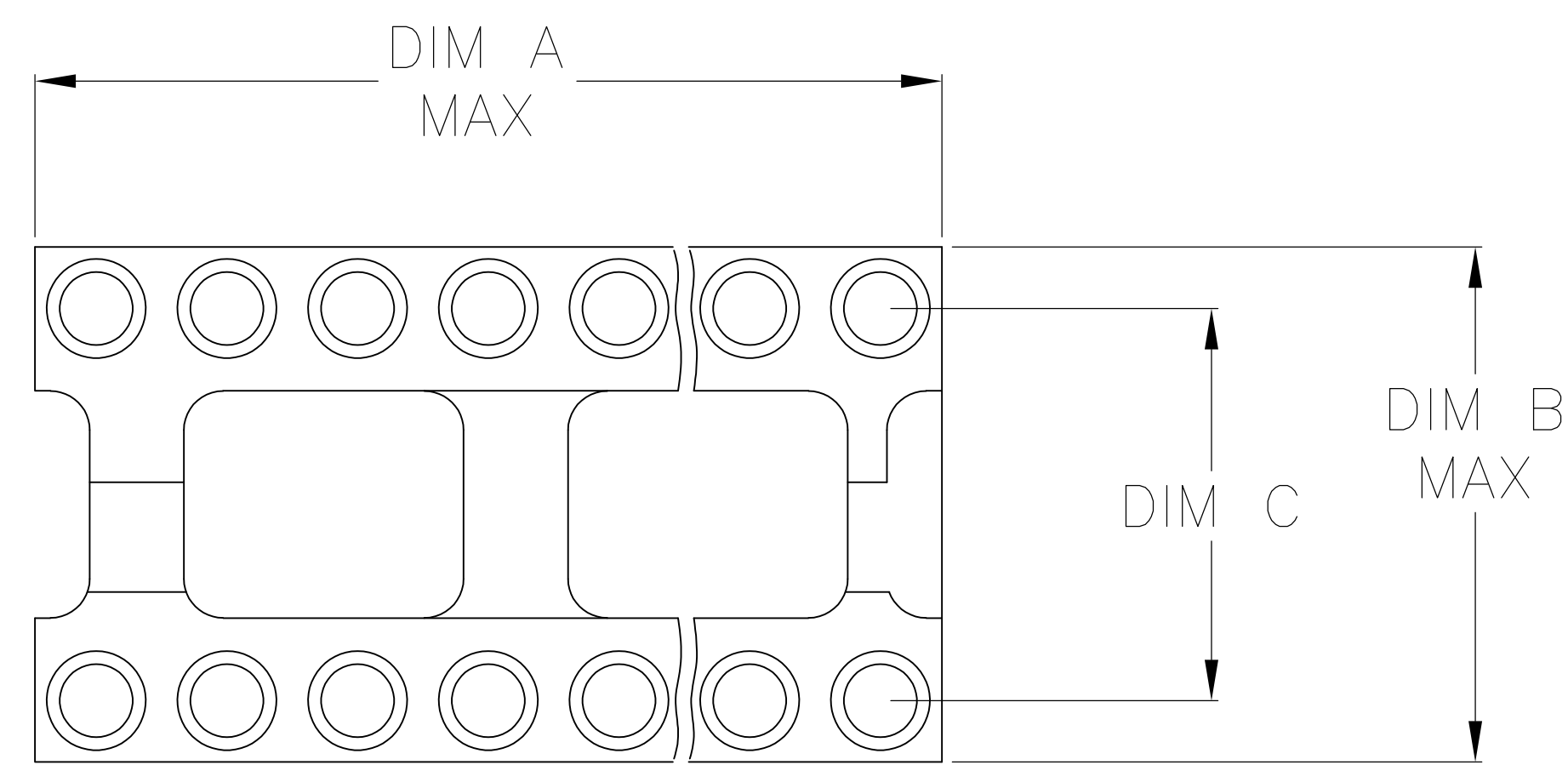
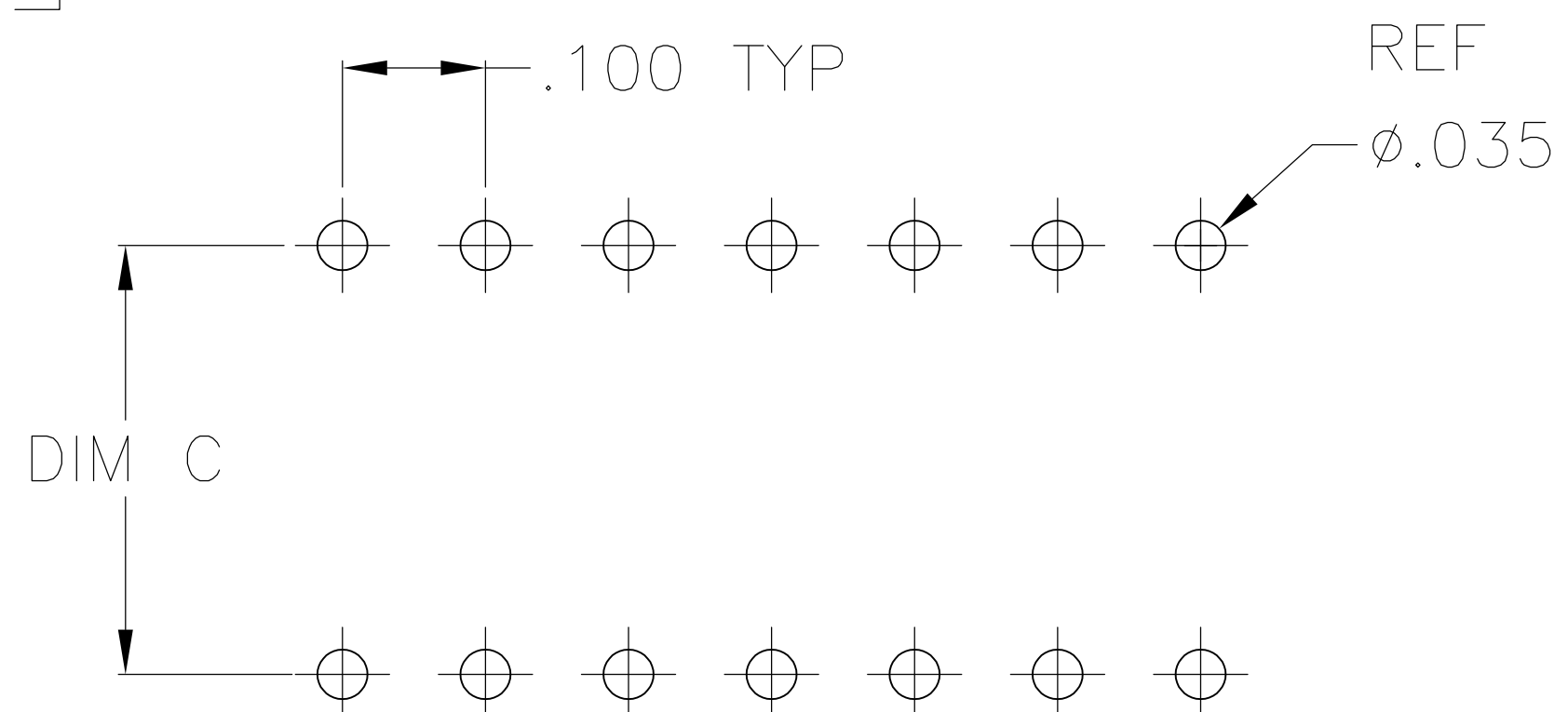


FIG. 3
(8 POS ONLY)



.210/.180
(STD .125 PC LEAD)
.265/.235
(LONG .180 PC LEAD)



P.C.B. HOLE LAYOUT
TOLERANCE $\pm .003$

1 MATERIALS:
INSULATOR: POLYESTER, UL RATED 94V-0
CONTACT:
800 & 1800 SERIES CONTACT: 4 BEAM, COPPER ALLOY, MACHINED (PREMIUM VERSION) OR FORMED (ECONOMY VERSION, WITH SUFFIX -ES OR -ESL).
800 SERIES HIGH RETENTION CONTACT: 4 BEAM, COPPER ALLOY, MACHINED.
1000 SERIES CONTACT: 6 BEAM, COPPER ALLOY, MACHINED (LOW INSERTION FORCE SERIES)
SLEEVE- ALL SERIES: COPPER ALLOY, FORMED

2 ELECTRICAL:
CONTACT RESISTANCE: 10 MILLIOHMS MAX
CONTACT RATING: 3 AMPS
CAPACITANCE: 1.0 pF PER MIL-STD-202, METHOD 305
INSULATION RESISTANCE: 5000 OHMS MIN @ 500 VDC PER MIL-STD-1344, METHOD 3003.1
DIELECTRIC WITHSTANDING VOLTAGE: 1000 VOLTS (RMS) PER MIL-STD-1344, METHOD 3001.1

3 MECHANICAL:
AFTER INSERTION FORCE: 37 GRAMS AVG (6 BEAM CONTACT) 134 GRAMS AVG (4 BEAM PREMIUM) 179 GRAMS AVG (4 BEAM ECONOMY) AND 334 GRAMS AVG (HIGH RETENTION)
AFTER WITHDRAWAL FORCE: 15 GRAMS AVG (6 BEAM CONTACT) 63 GRAMS AVG (4 BEAM PREMIUM OR ECONOMY) AND 245 GRAMS AVG (HIGH RETENTION)

4 ENVIRONMENTAL:
OPERATING TEMPERATURE: -55°C TO -105°C

5 PLATING: 25 μ MIN GOLD OVER 50 μ MIN NICKEL CONTACT WITH 5 μ MIN GOLD OVER 50 μ MIN NICKEL SLEEVE.

6 PLATING: 25 μ MIN GOLD OVER 50 μ MIN NICKEL CONTACT WITH 80 μ MIN TIN-LEAD OVER 50 μ MIN COPPER SLEEVE.

7 PLATING: 80 μ MIN TIN-LEAD OVER 75 μ MIN COPPER CONTACT WITH 180 μ MIN TIN-LEAD OVER 75 μ MIN NICKEL SLEEVE.

8 PLATING: 5 μ MIN GOLD FLASH OVER 50 μ MIN NICKEL CONTACT WITH 5 μ MIN GOLD FLASH OVER 50 μ MIN NICKEL SLEEVE.

9 PLATING: 5 μ MIN GOLD FLASH OVER 50 μ MIN NICKEL CONTACT WITH 80 μ MIN TIN-LEAD OVER 50 μ MIN COPPER SLEEVE.

10 PLATING: 7.5 μ MIN GOLD OVER 50 μ MIN NICKEL CONTACT WITH 80 μ MIN TIN-LEAD OVER 50 μ MIN COPPER SLEEVE.

11 PRELIMINARY PART - NOT RELEASED FOR PRODUCTION.

12 806-AGXXD-XXX SERIES IS SUPERSEDED BY 506-AGXXD-XXX SERIES (REFER TO CUSTOMER DRAWING 1437532-2)

13 PLATING: 25 μ MIN GOLD OVER 50 μ MIN NICKEL CONTACT WITH 80 μ MIN MATTE TIN OVER 50 μ MIN COPPER SLEEVE.

14 PLATING: 80 μ MIN MATTE TIN OVER 75 μ MIN COPPER CONTACT WITH 180 μ MIN MATTE TIN OVER 75 μ MIN NICKEL SLEEVE.

15 PLATING: 5 μ MIN GOLD FLASH OVER 50 μ MIN NICKEL CONTACT WITH 80 μ MIN MATTE TIN OVER 50 μ MIN COPPER SLEEVE.

16 PLATING: 7.5 μ MIN GOLD OVER 50 μ MIN NICKEL CONTACT WITH 80 μ MIN MATTE TIN OVER 50 μ MIN COPPER SLEEVE.

17 OBSOLETE PARTS: OBSOLETE CIS STREAMLINING PER D.RENAUD/D.SINISI

8 XX - AX XXX D - XXX - LF
800 SERIES POSITIONS
LF = LEAD FREE
BLANK = MACHINED CONTACT
ES = FORMED CONTACT, GOLD PLATE, NOTE 1
ESL = FORMED CONTACT, LOW GOLD PLATE, 5 μ IN MAX
D = PC TAIL STANDARD
LSG STYLE AND TAIL CONFIGURATION
AG = INSULATOR
AR = INSULATOR WITH RAILS
(ALMOST RUN THE LENGTH UNDER THE INSULATOR INSIDE THE CONTACT ROWS, .075 REF HIGH & .045 REF WIDE)

THIS DRAWING IS A CONTROLLED DOCUMENT.		DIN R BROWN 06MAY04	Tyco Electronics Tyco Electronics Corporation Harrisburg, Pa 17105-3608
DIMENSIONS: INCHES		CHK K WRIGHT 06MAY04	
TOLERANCES UNLESS OTHERWISE SPECIFIED:		APVD K WRIGHT 06MAY04	NAME
0 PLC	$\pm .005$	PRODUCT SPEC	DIP SOCKET, 800 SERIES
1 PLC	$\pm .005$	APPLICATION SPEC	SIZE CAGE CODE DRAWING NO
2 PLC	$\pm .005$	WEIGHT	A1 00779 C=1437539-2
3 PLC	$\pm .005$	CUSTOMER DRAWING	SCALE 1:1 SHEET 1 OF 4 REV A3
4 PLC	$\pm .005$		
ANGLES	$\pm .005$		

LOC		DIST		REVISIONS				
AD	00	P	LTR	DESCRIPTION	DATE	DN	APVD	
				SEE SHEET 1				

800 SERIES MACHINED PREMIUM CONTACT LEAD FREE PART NUMBER TABLE

COMMENTS	PLATING	C	B	A	FIG	AUGAT PART NO.	TE PART NO.
						864-AG34D-LF	5-6437538-4
						848-AG34D-LF	9-1437538-5
OBSOLETE						840-AR11D-LF	8-1437538-6
						840-AG43D-LF	8-1437538-4
						840-AG34D-LF	8-1437538-3
						832-AG38D-LF	9-6437533-4
						832-AG34D-LF	2-6437538-5
OBSOLETE						828-AR12D-LF	6-6437538-9
OBSOLETE						828-AR11D-LF	1-6437538-6
						828-AG43D-LF	6437538-4
						828-AG34D-LF	1-6437538-3
OBSOLETE						824-AR31D-LF	5-6437538-1
OBSOLETE						824-AR11D-LF	9-6437537-9
						824-AG47D-LF	9-6437537-7
OBSOLETE						824-AG446D-LF	9-6437537-6
						824-AG34D-LF	9-6437537-5
						824-AG338D-LF	9-6437537-4
						824-AG334D-LF	9-6437537-3
						820-AG43D-LF	7-6437537-3
						820-AG34D-LF	7-6437537-2
OBSOLETE						818-AR44D-LF	4-6437539-9
OBSOLETE						818-AR11D-LF	6-6437537-2
OBSOLETE						816-AR11D-LF	5-6437537-4
						816-AG34D-LF	5-6437537-1
OBSOLETE						814-AR11D-LF	3-6437537-5
						814-AG43D-LF	3-6437537-2
						814-AG34D-LF	3-6437537-1
OBSOLETE						808-AR11D-LF	1-6437537-9
						808-AG43D-LF	6437537-5
						808-AG34D-LF	6437537-4

800 SERIES MACHINED PREMIUM CONTACT PART NUMBER TABLE

COMMENTS	PLATING	C	B	A	FIG	AUGAT PART NO.	TE PART NO.
						824-AR31D	0-1437538-1
OBSOLETE						824-AR11D	9-1437537-9
OBSOLETE						824-AG66D	9-1437537-8
						824-AG47D	9-1437537-7
						824-AG45D	6-1437538-6
						824-AG446D	9-1437537-6
						824-AG34D	9-1437537-5
						824-AG33D	8-1437539-2
						824-AG338D	9-1437537-4
						824-AG334D	9-1437537-3
						824-AG32D	9-1437537-2
						824-AG31D	8-1437537-9
						824-AG30D	8-1437537-7
						824-AG14D	8-1437537-6
						824-AG12D	8-1437537-5
						824-AG11D	8-1437537-2
						824-AG10D	8-1437537-1
						822-AG11D	7-1437537-8
						822-AG10D	7-1437537-7
						820-AR11D	7-1437537-6
						820-AG45D	7-1437537-5
						820-AG44D	7-1437537-4
						820-AG43D	7-1437537-3
						820-AG34D	7-1437537-2
						820-AG12D	6-1437537-9
						820-AG11D	6-1437537-6
						820-AG10D	6-1437537-4
						818-AR44D	4-1437539-9
						818-AR11D	6-1437537-2
						818-AG44D	6-1437537-1
						818-AG34D	5-1437538-8
						818-AG12D	6-1437537-0
						818-AG11D	5-1437537-7
						818-AG10D	5-1437537-6
						816-AR11D	5-1437537-4
						816-AG45D	5-1437537-3
						816-AG44D	5-1437537-2
						816-AG34D	5-1437537-1
						816-AG33D	5-1437537-0
						816-AG12D	4-1437537-6
						816-AG11D	4-1437537-0
						816-AG10D	3-1437537-7
						814-AR44D	5-1437533-2
						814-AR11D	3-1437537-5
						814-AG45D	3-1437537-4
						814-AG44D	3-1437537-3
						814-AG34D	3-1437537-2
						814-AG33D	3-1437537-1
						814-AG12D	2-1437537-9
						814-AG11D	2-1437537-4
						814-AG10D	2-1437537-1
						808-AR11D	1-1437537-9
						808-AG45D	1-1437537-8
						808-AG44D	1-1437537-7
						808-AG43D	1-1437537-5
						808-AG34D	1-1437537-4
						808-AG12D	1-1437537-2
						808-AG11D	0-1437537-8
						808-AG10D	0-1437537-5
						806-AG11D	2-1437533-5
						806-AG10D	2-1437533-3

800 SERIES MACHINED PREMIUM CONTACT PART NUMBER TABLE

COMMENTS	PLATING	C	B	A	FIG	AUGAT PART NO.	TE PART NO.
						864-AG34D	5-1437538-4
						864-AG12D	5-1437538-2
						864-AG11D	4-1437538-8
						864-AG10D	3-1437540-1
OBSOLETE						848-AR11D	4-1437538-6
OBSOLETE						848-AG34D	4-1437538-5
OBSOLETE						848-AG12D	4-1437538-4
						848-AG11D	4-1437538-1
						848-AG10D	3-1437538-9
OBSOLETE						842-AG12D	3-1437538-8
OBSOLETE						842-AG11D	3-1437538-7
						840-AR11D	3-1437538-6
						840-AG44D	3-1437538-5
						840-AG43D	3-1437538-4
						840-AG34D	3-1437538-3
						840-AG12D	3-1437538-2
						840-AG11D	3-1437538-0
						840-AG10D	2-1437538-9
						836-AG11D	2-1437538-7
						832-AR12D	9-1437533-7
						832-AG38D	9-1437533-4
OBSOLETE						832-AG34D	2-1437538-5
						832-AG12D	2-1437538-4
						832-AG11D	2-1437538-2
						832-AG10D	2-1437538-1
						828-AR12D	6-1437538-9
OBSOLETE						828-AR11D	1-1437538-6
						828-AG44D	1-1437538-5
OBSOLETE						828-AG43D	1-1437538-4
						828-AG34D	1-1437538-3
						828-AG12D	1-1437538-0
						828-AG11D	0-1437538-4
						828-AG10D	0-1437538-3

THIS DRAWING IS A CONTROLLED DOCUMENT.

DIN R BROWN O6MAY04
 CHK K WRIGHT O6MAY04
 APVD K WRIGHT O6MAY04

TOLERANCES UNLESS OTHERWISE SPECIFIED:
 0. PLC ± .005
 1. PLC ± .005
 2. PLC ± .005
 3. PLC ± .005
 4. PLC ± .005
 ANGLES ± .005

MATERIAL: - FINISH: -

WEIGHT: -

SIZE: A1 CASE CODE: - DRAWING NO: 00779-2 RESTRICTED TO: -
 CUSTOMER DRAWING SCALE: 1:1 SHEET: 2 OF 4 REV: A3

Tyco Electronics Tyco Electronics Corporation Harrisburg, Pa 17105-3608

NAME: - PRODUCT SPEC: - APPLICATION SPEC: -
 DIP SOCKET, 800 SERIES

800 SERIES STAMPED ECONOMY CONTACT LEAD FREE PART NUMBER TABLE

OBSOLETE	W/RAILS	PLATING	C	B	A	FIG	AUGAT PART NO.	TE PART NO.
OBSOLETE	W/RAILS						848-AR11D-ES-LF	8-1437540-0
OBSOLETE	W/RAILS						840-AR12D-ES-LF	6-6447099-8
OBSOLETE	W/RAILS						840-AR11D-ESL-LF	7-1437540-2
OBSOLETE	W/RAILS						840-AR11D-ES-LF	7-1437540-1
	.180 PC LEAD						840-AG44D-ESL-LF	7-1437540-0
OBSOLETE	W/RAILS						832-AR11D-ESL-LF	0-6437540-9
OBSOLETE	W/RAILS						832-AR11D-ES-LF	0-6437540-8
	.180 PC LEAD						832-AG44D-ES-LF	0-6437540-7
	.180 PC LEAD						832-AG43D-ES-LF	0-6437540-6
OBSOLETE	.180 PC LEAD W/RAILS						828-AR44D-ESL-LF	9-6437539-8
OBSOLETE	W/RAILS						828-AR12D-ES-LF	6-6447099-7
OBSOLETE	W/RAILS						828-AR11D-ES-LF	9-6437539-6
	.180 PC LEAD						828-AG44D-ES-LF	9-6437539-5
OBSOLETE	.180 PC LEAD W/RAILS						824-AR47D-ESL-LF	8-6437533-3
OBSOLETE	W/RAILS						824-AR31D-ES-LF	8-6437539-7
OBSOLETE	W/RAILS						824-AR12D-ES-LF	6-6447099-6
	.180 PC LEAD						824-AG44D-ESL-LF	8-6437539-3
	.180 PC LEAD						824-AG43D-ES-LF	8-6437539-2
OBSOLETE	W/RAILS						820-AR11D-ES-LF	5-6437539-8
OBSOLETE	W/RAILS						820-AR11D-ES-LF	5-6437539-7
OBSOLETE	W/RAILS						816-AR11D-ESL-LF	3-6437539-5
OBSOLETE	W/RAILS						816-AR11D-ES-LF	3-6437539-4
	.180 PC LEAD						816-AG44D-ESL-LF	3-6437539-2
OBSOLETE	W/RAILS						814-AR11D-ES-LF	2-6437539-2
OBSOLETE	W/RAILS						808-AR11D-ES-LF	1-6437539-0
	.180 PC LEAD						808-AG43D-ES-LF	6437537-6

800 SERIES STAMPED ECONOMY CONTACT PART NUMBER TABLE

OBSOLETE	W/RAILS	PLATING	C	B	A	FIG	AUGAT PART NO.	TE PART NO.
OBSOLETE	W/RAILS						864-AG12D-ES	5-1437538-3
							864-AG11D-ESL	5-1437538-0
							864-AG11D-ES	4-1437538-9
OBSOLETE	W/RAILS						864-AG10D-ES	3-1437540-2
OBSOLETE	W/RAILS						848-AR11D-ESL	6-1437540-2
							848-AR11D-ES	3-1437540-0
							848-AG12D-ES	2-1437540-8
							848-AG11D-ESL	4-1437538-2
							848-AG11D-ES	2-1437540-6
							848-AG10D-ES	2-1437540-5
OBSOLETE							842-AG11D-ESL	2-1437540-4
							842-AG11D-ES	2-1437540-3
	.180 PC LEAD W/RAILS S/B 2-1437540-0						840-AR44D-ESL	0-1437534-7
OBSOLETE	W/RAILS						840-AR12D-ES	6-1447099-8
OBSOLETE	W/RAILS						840-AR11D-ESL	2-1437540-2
OBSOLETE	W/RAILS						840-AR11D-ES	2-1437540-1
	.180 PC LEAD						840-AG44D-ESL	2-1437540-0
							840-AG12D-ES	1-1437540-9
							840-AG11D-ESL	1-1437540-7
							840-AG11D-ES	1-1437540-6
							840-AG10D-ES	1-1437540-4
OBSOLETE							836-AG12D-ES	1-1437540-2
							836-AG11D-ESL	1-1437540-1
							836-AG11D-ES	1-1437540-0
OBSOLETE	W/RAILS						832-AR11D-ESL	0-1437540-9
OBSOLETE	W/RAILS						832-AR11D-ES	0-1437540-8
	.180 PC LEAD S/B 1437540-1						832-AG45D-ESL	6-1437538-0
	.180 PC LEAD S/B 1437540-7						832-AG44D-ESL	9-1437533-5
OBSOLETE	.180 PC LEAD						832-AG44D-ES	0-1437540-7
							832-AG43D-ES	0-1437540-6
							832-AG12D-ES	0-1437540-5
							832-AG11D-ESL	0-1437540-3
							832-AG11D-ES	0-1437540-2
							832-AG10D-ES	0-1437540-1
OBSOLETE	.180 PC LEAD W/RAILS						828-AR44D-ESL	9-1437539-8
OBSOLETE	W/RAILS						828-AR12D-ES	6-1447099-7
OBSOLETE	W/RAILS						828-AR11D-ESL	9-1437539-7
OBSOLETE	W/RAILS						828-AR11D-ES	9-1437539-6
OBSOLETE	.180 PC LEAD						828-AG44D-ES	9-1437539-5
							828-AG12D-ES	9-1437539-4
							828-AG11D-ESL	9-1437539-2
							828-AG11D-ES	9-1437539-1
							828-AG10D-ES	8-1437539-9

800 SERIES STAMPED ECONOMY CONTACT PART NUMBER TABLE

OBSOLETE	W/RAILS	PLATING	C	B	A	FIG	AUGAT PART NO.	TE PART NO.
OBSOLETE	W/RAILS						864-AG12D-ES	5-1437538-3
							864-AG11D-ESL	5-1437538-0
							864-AG11D-ES	4-1437538-9
OBSOLETE	W/RAILS						864-AG10D-ES	3-1437540-2
OBSOLETE	W/RAILS						848-AR11D-ESL	6-1437540-2
							848-AR11D-ES	3-1437540-0
							848-AG12D-ES	2-1437540-8
							848-AG11D-ESL	4-1437538-2
							848-AG11D-ES	2-1437540-6
							848-AG10D-ES	2-1437540-5
OBSOLETE							842-AG11D-ESL	2-1437540-4
							842-AG11D-ES	2-1437540-3
	.180 PC LEAD W/RAILS S/B 2-1437540-0						840-AR44D-ESL	0-1437534-7
OBSOLETE	W/RAILS						840-AR12D-ES	6-1447099-8
OBSOLETE	W/RAILS						840-AR11D-ESL	2-1437540-2
OBSOLETE	W/RAILS						840-AR11D-ES	2-1437540-1
	.180 PC LEAD						840-AG44D-ESL	2-1437540-0
							840-AG12D-ES	1-1437540-9
							840-AG11D-ESL	1-1437540-7
							840-AG11D-ES	1-1437540-6
							840-AG10D-ES	1-1437540-4
OBSOLETE							836-AG12D-ES	1-1437540-2
							836-AG11D-ESL	1-1437540-1
							836-AG11D-ES	1-1437540-0
OBSOLETE	W/RAILS						832-AR11D-ESL	0-1437540-9
OBSOLETE	W/RAILS						832-AR11D-ES	0-1437540-8
	.180 PC LEAD S/B 1437540-1						832-AG45D-ESL	6-1437538-0
	.180 PC LEAD S/B 1437540-7						832-AG44D-ESL	9-1437533-5
OBSOLETE	.180 PC LEAD						832-AG44D-ES	0-1437540-7
							832-AG43D-ES	0-1437540-6
							832-AG12D-ES	0-1437540-5
							832-AG11D-ESL	0-1437540-3
							832-AG11D-ES	0-1437540-2
							832-AG10D-ES	0-1437540-1
OBSOLETE	.180 PC LEAD W/RAILS						828-AR44D-ESL	9-1437539-8
OBSOLETE	W/RAILS						828-AR12D-ES	6-1447099-7
OBSOLETE	W/RAILS						828-AR11D-ESL	9-1437539-7
OBSOLETE	W/RAILS						828-AR11D-ES	9-1437539-6
OBSOLETE	.180 PC LEAD						828-AG44D-ES	9-1437539-5
							828-AG12D-ES	9-1437539-4
							828-AG11D-ESL	9-1437539-2
							828-AG11D-ES	9-1437539-1
							828-AG10D-ES	8-1437539-9

THIS DRAWING IS A CONTROLLED DOCUMENT.

INCHES: 0 PLC ± .005, 1 PLC ± .005, 2 PLC ± .005, 3 PLC ± .005, 4 PLC ± .005

TOLERANCES UNLESS OTHERWISE SPECIFIED:

MATERIAL: FINISH

WEIGHT: A1 00779 1437539-2

CUSTOMER DRAWING

SCALE: 1:1 SHEET: 3 of 4 REV: A3

Tyco Electronics Corporation
Harrisburg, Pa 17105-3608

DIP SOCKET, 800 SERIES

1000 SERIES MACHINED PREMIUM CONTACT, LOW INSERTION FORCE PART NUMBER TABLE

COMMENTS	PLATING	C	B	A	FIG	AUGAT PART NO.	TE PART NO.
S/B 4-1437538-8	6	.895/.905	1.000	3.200	2	1064-AG11D	2-1437529-4
S/B 3-1437540-1	5	.895/.905	1.000	3.200	2	1064-AG10D	2-1437529-3
S/B 3-1437538-0	6	.595/.605	.700	2.000	2	1040-AG11D	2-1437529-2
S/B 2-1437538-2	6	.595/.605	.700	1.600	2	1032-AG11D	2-1437529-1
S/B 1437538-4	6	.595/.605	.700	1.400	1	1028-AG11D	1-1437529-9
S/B 8-1437537-9	6	.295/.305	.400	1.200	1	1024-AG31D	1-1437529-8
S/B 8-1437537-2	6	.595/.605	.700	1.200	1	1024-AG11D	1-1437529-6
S/B 8-1437537-1	5	.595/.605	.700	1.200	1	1024-AG10D	1-1437529-5
S/B 6-1437537-6	6	.295/.305	.400	1.000	1	1020-AG11D	1-1437529-4
S/B 6-1437537-4	5	.295/.305	.400	1.000	1	1020-AG10D	1-1437529-3
S/B 5-1437537-7	6	.295/.305	.400	.900	1	1018-AG11D	1-1437529-2
S/B 5-1437537-6	5	.295/.305	.400	.900	1	1018-AG10D	1-1437529-1
S/B 4-1437537-0	6	.295/.305	.400	.800	1	1016-AG11D	1-1437529-0
S/B 3-1437537-7	5	.295/.305	.400	.800	1	1016-AG10D	0-1437529-9
S/B 2-1437537-4	6	.295/.305	.400	.700	1	1014-AG11D	0-1437529-7
S/B 2-1437537-1	5	.295/.305	.400	.700	1	1014-AG10D	0-1437529-6
S/B 1437537-8	6	.295/.305	.400	.400	3	1008-AG11D	0-1437529-5
S/B 1437537-5	5	.295/.305	.400	.400	3	1008-AG10D	0-1437529-4

1800 SERIES MACHINED PREMIUM CONTACT, LOW GOLD PART NUMBER TABLE

	S/B 5-1437538-0	10	.895/.905	1.000	3.200	2	1864-AG111D	5-1437529-1
	S/B 6-1437540-2 W/RAILS	10	.595/.605	.700	2.400	2	1848-AR111D	5-1437529-0
	S/B 4-1437538-2	10	.595/.605	.700	2.100	2	1848-AG111D	4-1437529-9
	S/B 2-1437540-4	10	.595/.605	.700	2.100	2	1842-AG111D	4-1437529-8
	S/B 2-1437540-2 W/RAILS	10	.595/.605	.700	2.000	2	1840-AR111D	4-1437529-7
	S/B 1-1437540-7	10	.595/.605	.700	2.000	2	1840-AG111D	4-1437529-6
	S/B 1437540-3	10	.595/.605	.700	1.600	2	1832-AG111D	4-1437529-5
	S/B 9-1437539-7 W/RAILS	10	.595/.605	.700	1.400	1	1828-AR111D	4-1437529-4
	S/B 9-1437539-2	10	.595/.605	.700	1.400	1	1828-AG111D	4-1437529-3
	S/B 3-1437540-9 W/RAILS	10	.295/.305	.400	1.200	1	1824-AR131D	4-1437529-2
OBSOLETE	S/B 8-1437539-6 W/RAILS	10	.595/.605	.700	1.200	1	1824-AR111D	4-1437529-1
OBSOLETE	S/B 8-1437539-4	10	.395/.405	.500	1.200	1	1824-AG141D	4-1437529-0
	S/B 7-1437539-7	10	.295/.305	.400	1.200	1	1824-AG131D	3-1437529-9
	S/B 7-1437539-0	10	.595/.605	.700	1.200	1	1824-AG111D	3-1437529-8
	S/B 6-1437539-3	10	.395/.405	.500	1.100	1	1822-AG111D	3-1437529-7
	S/B 5-1437539-8 W/RAILS	10	.295/.305	.400	1.000	1	1820-AR111D	3-1437529-6
SUPERSEDED	S/B 5-1437539-3	10	.295/.305	.400	1.000	1	1820-AG111D	3-1437529-5
	S/B 4-1437539-8 W/RAILS	10	.295/.305	.400	.900	1	1818-AR111D	3-1437529-5
	S/B 4-1437539-4	10	.295/.305	.400	.900	1	1818-AG111D	3-1437529-3
OBSOLETE	S/B 3-1437539-5 W/RAILS	10	.295/.305	.400	.800	1	1816-AR111D	3-1437529-2
	S/B 2-1437539-9	10	.295/.305	.400	.800	1	1816-AG111D	3-1437529-1
	S/B 2-1437539-3 W/RAILS	10	.295/.305	.400	.700	1	1814-AR111D	3-1437529-0
	S/B 1-1437539-7	10	.295/.305	.400	.700	1	1814-AG111D	2-1437529-9
	S/B 1-1437539-1 W/RAILS	10	.295/.305	.400	.400	3	1808-AR111D	2-1437529-6
	S/B 1437539-6	10	.295/.305	.400	.400	3	1808-AG111D	2-1437529-5
OBSOLETE	S/B 1437539-8	10	.295/.305	.400	.300		1806-AG111D	0-1437535-2

THIS DRAWING IS A CONTROLLED DOCUMENT.		DIN R BROWN 06MAY04	Tyco Electronics Corporation Harrisburg, Pa 17105-3608	
DIMENSIONS: INCHES		CHK K WRIGHT 06MAY04	Tyco Electronics	
TOLERANCES UNLESS OTHERWISE SPECIFIED:		APVD K WRIGHT 06MAY04	NAME	
0 PLC ± .005		PRODUCT SPEC		
1 PLC ± .005		APPLICATION SPEC		
2 PLC ± .005		SIZE		
3 PLC ± .005		CAGE CODE		
4 PLC ± .005		DRAWING NO		
ANGLES ± .005		RESTRICTED TO		
MATERIAL	FINISH	WEIGHT	A1 00779	SCALE 1:1
CUSTOMER DRAWING		DRAWING NO 1437539-2		SHEET 4 OF 4
		REV 1		REV A3

Компания «Life Electronics» занимается поставками электронных компонентов импортного и отечественного производства от производителей и со складов крупных дистрибьюторов Европы, Америки и Азии.

С конца 2013 года компания активно расширяет линейку поставок компонентов по направлению коаксиальный кабель, кварцевые генераторы и конденсаторы (керамические, пленочные, электролитические), за счёт заключения дистрибьюторских договоров

Мы предлагаем:

- Конкурентоспособные цены и скидки постоянным клиентам.
- Специальные условия для постоянных клиентов.
- Подбор аналогов.
- Поставку компонентов в любых объемах, удовлетворяющих вашим потребностям.
- Приемлемые сроки поставки, возможна ускоренная поставка.
- Доставку товара в любую точку России и стран СНГ.
- Комплексную поставку.
- Работу по проектам и поставку образцов.
- Формирование склада под заказчика.
- Сертификаты соответствия на поставляемую продукцию (по желанию клиента).
- Тестирование поставляемой продукции.
- Поставку компонентов, требующих военную и космическую приемку.
- Входной контроль качества.
- Наличие сертификата ISO.

В составе нашей компании организован Конструкторский отдел, призванный помогать разработчикам, и инженерам.

Конструкторский отдел помогает осуществить:

- Регистрацию проекта у производителя компонентов.
- Техническую поддержку проекта.
- Защиту от снятия компонента с производства.
- Оценку стоимости проекта по компонентам.
- Изготовление тестовой платы монтаж и пусконаладочные работы.



Тел: +7 (812) 336 43 04 (многоканальный)

Email: org@lifeelectronics.ru