

Improved Quad SPST CMOS Analog Switches

FEATURES

- Low On-Resistance: 45 Ω
- Low Power Consumption: 1.0 mW
- Fast Switching Action— t_{ON} : 120 ns
- Low Charge Injection—Q: -1 pC
- TTL/CMOS-Compatible Logic
- Single Supply Capability

BENEFITS

- Less Signal Errors and Distortion
- Reduced Power Supply Requirements
- Faster Throughput
- Reduced Pedestal Errors
- Simple Interfacing

APPLICATIONS

- Audio Switching
- Data Acquisition
- Sample-and-Hold Circuits
- Communication Systems
- Automatic Test Equipment
- Medical Instruments

DESCRIPTION

The DG441B/442B are monolithic quad analog switches designed to provide high speed, low error switching of analog and audio signals. The DG441B/442B are upgrades to the original DG441/442.

Combining low on-resistance (45 Ω , typ.) with high speed (t_{ON} 120 ns, typ.), the DG441B/442B are ideally suited for Data Acquisition, Communication Systems, Automatic Test Equipment, or Medical Instrumentation. Charge injection has

been minimized on the drain for use in sample-and-hold circuits.

The DG441B/442B are built using Vishay Siliconix's high-voltage silicon-gate process. An epitaxial layer prevents latchup.

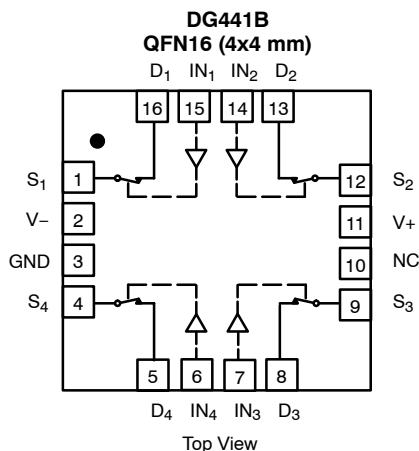
When on, each switch conducts equally well in both directions and blocks input voltages to the supply levels when off.

FUNCTIONAL BLOCK DIAGRAM AND PIN CONFIGURATION



TRUTH TABLE		
Logic	DG441B	DG442B
0	ON	OFF
1	OFF	ON

Logic "0" \leq 0.8 V
Logic "1" \geq 2.4 V



ORDERING INFORMATION

Temp Range	Package	Part Number
-40 to 85°C	16-Pin Plastic DIP	DG441BDJ
		DG442BDJ
	16-Pin Narrow SOIC	DG441BDY
		DG442BDY
	16-Pin QFN 4x4 mm	DG441BDN
		DG442BDN



ABSOLUTE MAXIMUM RATINGS

V+ to V-	44 V
GND to V-	25 V
Digital Inputs ^a V _S , V _D	(V-) -2 V to (V+) +2 V
	or 30 mA, whichever occurs first
Continuous Current (Any Terminal)	30 mA
Current, S or D (Pulsed 1 ms, 10% duty cycle)	100 mA
Storage Temperature	-65 to 125°C

Power Dissipation (Package) ^b	
16-Pin Plastic DIP ^c	470 mW
16-Pin Narrow Body SOIC ^d	900 mW
QFN-16 ^d	850 mW

Notes:

- Signals on S_X, D_X, or IN_X exceeding V+ or V- will be clamped by internal diodes. Limit forward diode current to maximum current ratings.
- All leads welded or soldered to PC Board.
- Derate 6 mW/°C above 75°C
- Derate 12 mW/°C above 25°C

Stresses beyond those listed under "Absolute Maximum Ratings" may cause permanent damage to the device. These are stress ratings only, and functional operation of the device at these or any other conditions beyond those indicated in the operational sections of the specifications is not implied. Exposure to absolute maximum rating conditions for extended periods may affect device reliability.

SPECIFICATIONS ^a FOR DUAL SUPPLIES							
Parameter	Symbol	Test Conditions Unless Otherwise Specified V+ = 15 V, V- = -15 V, V _L = 5 V, V _{IN} = 2.4 V, 0.8 V ^f	Temp ^b	Limits -40 to 85°C			Unit
				Min ^d	Typ ^c	Max ^d	
Analog Switch							
Analog Signal Range ^e	V _{ANALOG}		Full	-15		15	V
Drain-Source On-Resistance	r _{DS(on)}	I _S = 1 mA, V _D = ∓10 V	Room Full		45	80 95	Ω
On-Resistance Match Between Channels ^e	Δr _{DS(on)}	I _S = 1 mA, V _D = ±10 V	Room Full		2	4 5	
Switch Off Leakage Current	I _{S(off)}	V _D = ±14 V, V _S = ∓14 V	Room Full	-0.5 -5	±0.01	0.5 5	nA
	I _{D(off)}		Room Full	-0.5 -5	±0.01	0.5 5	
Channel On Leakage Current	I _{D(on)}	V _S = V _D = ±14 V	Room Full	-0.5 -10	∓0.02	0.5 10	
Digital Control							
Input Voltage Low	V _{INL}		Full			0.8	V
Input Voltage High	V _{INH}		Full	2.4			
Input Current V _{IN} Low	I _{INL}	V _{IN} under test = 0.8 V, All Other = 2.4 V	Full	-1	-0.01	1	μA
Input Current V _{IN} High	I _{INH}	V _{IN} under test = 2.4 V, All Other = 0.8 V	Full	-1	0.01	1	
Dynamic Characteristics							
Turn-On Time	t _{ON}	R _L = 1 kΩ, C _L = 35 pF V _S = 10 V, See Figure 2	Room			120	ns
Turn-Off Time	t _{OFF}		Room			65	
Charge Injection ^e	Q	C _L = 1 nF, V _S = 0 V, V _{gen} = 0 V, R _{gen} = 0 Ω	Room		-1		pC
Off Isolation ^e	OIRR	R _L = 50 Ω, C _L = 15 pF, V _S = 1 V _{RMS} f = 100 kHz	Room			90	dB
Crosstalk (Channel-to-Channel)	X _{TALK}		Room			95	
Source Off Capacitance ^e	C _{S(off)}	f = 1 MHz	Room			4	pF
Drain Off Capacitance ^e	C _{D(off)}		Room			4	
Channel On Capacitance ^e	C _{D(on)}		Room			16	
Power Supplies							
Positive Supply Current	I+	V+ = 16.5 V, V- = -16.5 V V _{IN} = 0 or 5 V	Room Full			1 5	μA
Negative Supply Current	I-		Room Full	-1 -5			

SPECIFICATIONS^a FOR SINGLE SUPPLY

Parameter	Symbol	Test Conditions Otherwise Unless Specified $V_+ = 12\text{ V}, V_- = 0\text{ V}, V_{IN} = 2.4\text{ V}, 0.8\text{ V}^f$	Temp ^b	Limits -40 to 85°C			Unit
				Min ^d	Typ ^c	Max ^d	
Analog Switch							
Analog Signal Range ^e	V_{ANALOG}		Full	0		12	V
Drain-Source On-Resistance	$r_{DS(on)}$	$I_S = 1\text{ mA}, V_D = 3\text{ V}, 8\text{ V}$	Room Full		90	160 200	Ω
Dynamic Characteristics							
Turn-On Time	t_{ON}	$R_L = 1\text{ k}\Omega, C_L = 35\text{ pF}$ $V_S = 8\text{ V}, \text{ See Figure 2}$	Room		120	300	ns
Turn-Off Time	t_{OFF}		Room		60	200	
Charge Injection	Q	$C_L = 1\text{ nF}, V_{gen} = 6\text{ V}, R_{gen} = 0\ \Omega$	Room		4		pC
Power Supplies							
Positive Supply Current	I_+	$V_{IN} = 0\text{ or }5\text{ V}$	Room Full			1 5	μA
Negative Supply Current	I_-		Room Full		-1 -5		

Notes:

- a. Refer to PROCESS OPTION FLOWCHART.
- b. Room = 25°C, Full = as determined by the operating temperature suffix.
- c. Typical values are for DESIGN AID ONLY, not guaranteed nor subject to production testing.
- d. The algebraic convention whereby the most negative value is a minimum and the most positive a maximum, is used in this data sheet.
- e. Guaranteed by design, not subject to production test.
- f. V_{IN} = input voltage to perform proper function.

SCHEMATIC DIAGRAM (TYPICAL CHANNEL)

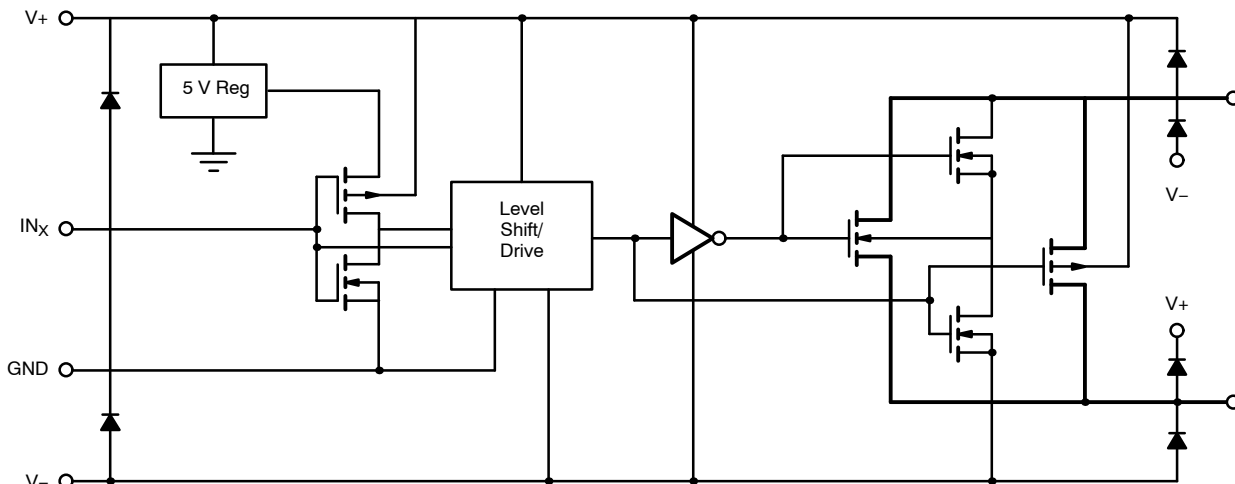
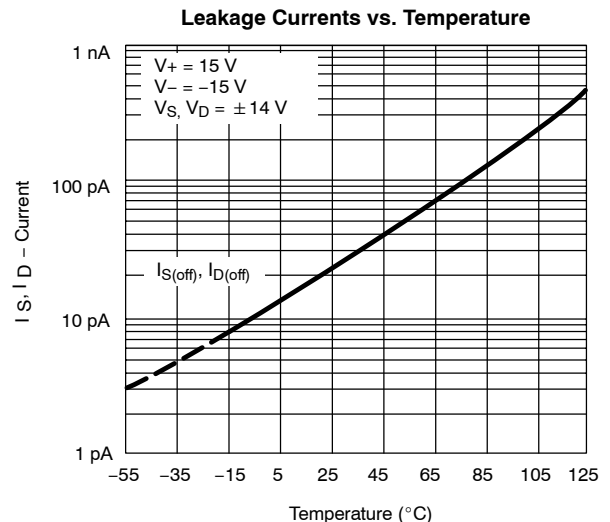
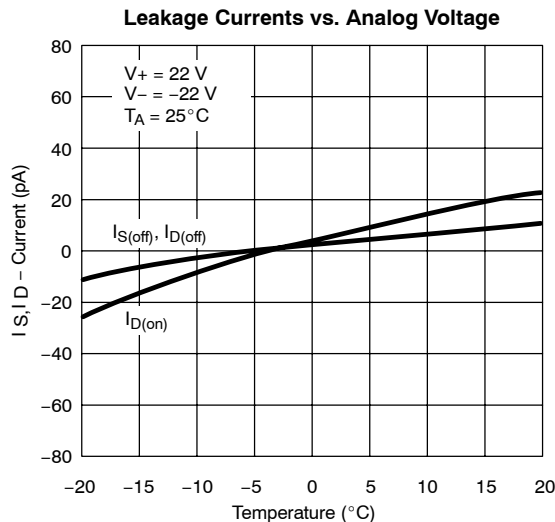
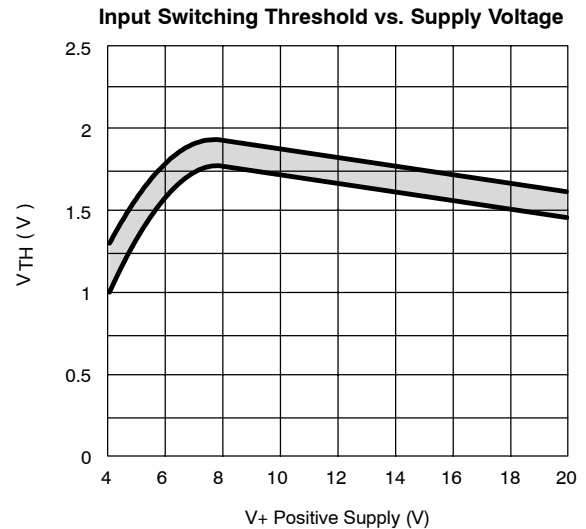
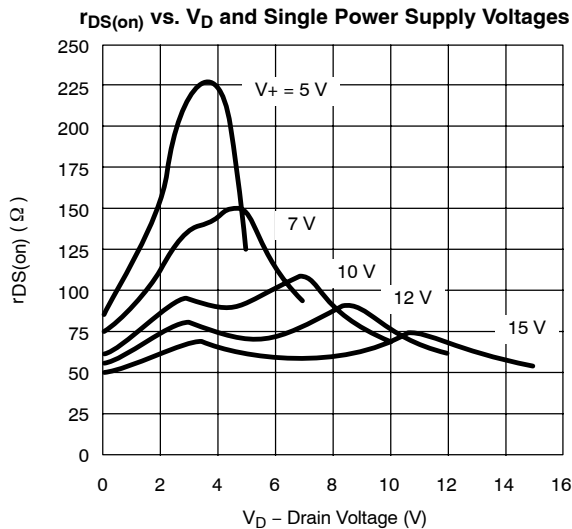
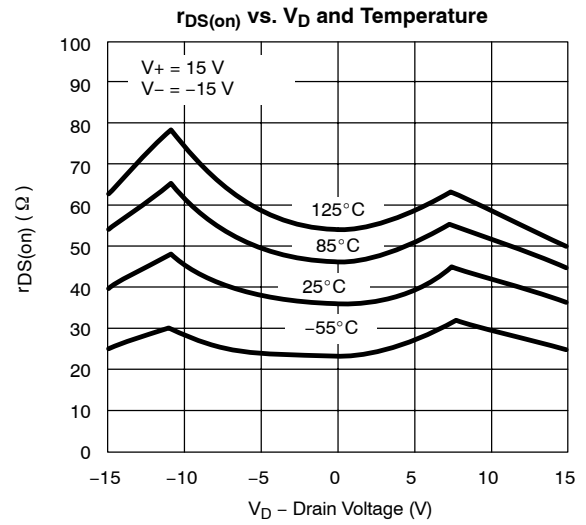
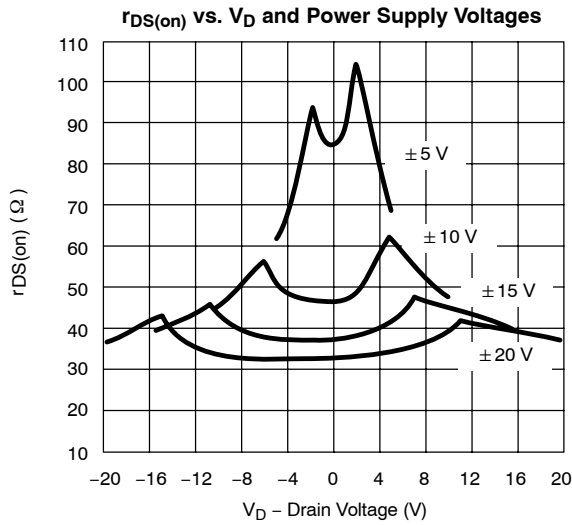


FIGURE 1.

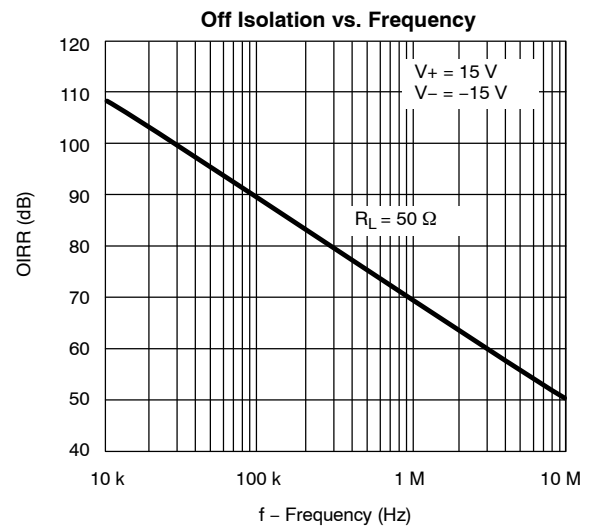
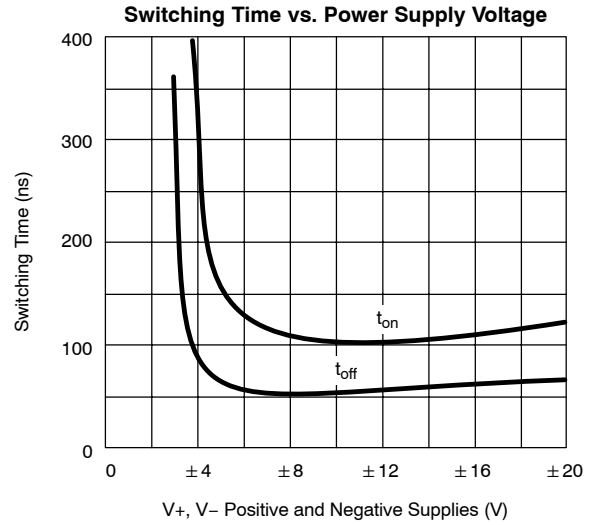


TYPICAL CHARACTERISTICS (25°C UNLESS NOTED)





TYPICAL CHARACTERISTICS (25°C UNLESS NOTED)



TEST CIRCUITS



C_L (includes fixture and stray capacitance)



Note: Logic input waveform is inverted for DG442.

FIGURE 2. Switching Time

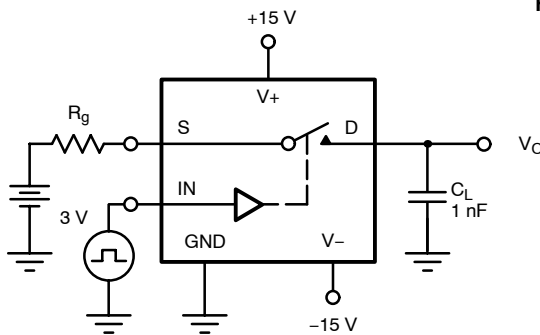


FIGURE 3. Charge Injection

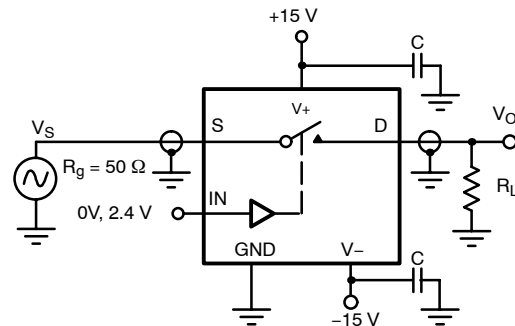
C = 1 mF tantalum in parallel with 0.01 mF ceramic



$$X_{\text{TALK Isolation}} = 20 \log \left| \frac{V_S}{V_O} \right|$$

C = RF bypass

FIGURE 4. Crosstalk



$$\text{Off Isolation} = 20 \log \left| \frac{V_S}{V_O} \right|$$

FIGURE 5. Off Isolation



FIGURE 6. Source/Drain Capacitances

APPLICATIONS

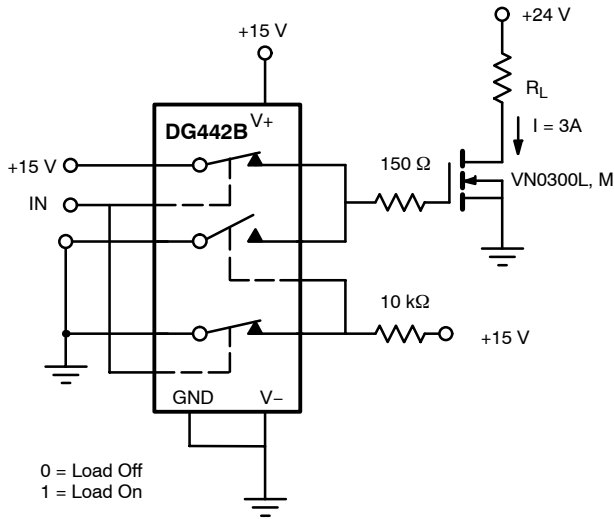


FIGURE 7. Power MOSFET Driver



FIGURE 8. Open Loop Sample-and-Hold

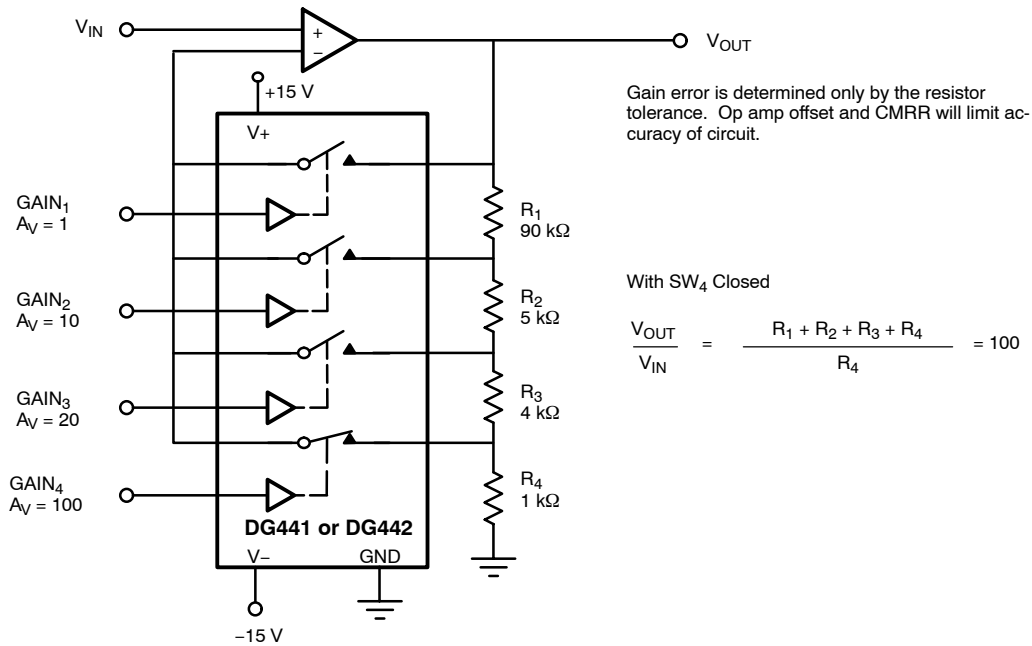


FIGURE 9. Precision-Weighted Resistor Programmable-Gain Amplifier

Компания «Life Electronics» занимается поставками электронных компонентов импортного и отечественного производства от производителей и со складов крупных дистрибьюторов Европы, Америки и Азии.

С конца 2013 года компания активно расширяет линейку поставок компонентов по направлению коаксиальный кабель, кварцевые генераторы и конденсаторы (керамические, пленочные, электролитические), за счёт заключения дистрибьюторских договоров

Мы предлагаем:

- Конкурентоспособные цены и скидки постоянным клиентам.
- Специальные условия для постоянных клиентов.
- Подбор аналогов.
- Поставку компонентов в любых объемах, удовлетворяющих вашим потребностям.
- Приемлемые сроки поставки, возможна ускоренная поставка.
- Доставку товара в любую точку России и стран СНГ.
- Комплексную поставку.
- Работу по проектам и поставку образцов.
- Формирование склада под заказчика.
- Сертификаты соответствия на поставляемую продукцию (по желанию клиента).
- Тестирование поставляемой продукции.
- Поставку компонентов, требующих военную и космическую приемку.
- Входной контроль качества.
- Наличие сертификата ISO.

В составе нашей компании организован Конструкторский отдел, призванный помогать разработчикам, и инженерам.

Конструкторский отдел помогает осуществить:

- Регистрацию проекта у производителя компонентов.
- Техническую поддержку проекта.
- Защиту от снятия компонента с производства.
- Оценку стоимости проекта по компонентам.
- Изготовление тестовой платы монтаж и пусконаладочные работы.



Тел: +7 (812) 336 43 04 (многоканальный)

Email: org@lifeelectronics.ru