



SANYO Semiconductors

# DATA SHEET

An ON Semiconductor Company

## LV8805SV

Bi-CMOS LSI  
PC and Server  
Fan Motor Driver

### Overview

The LV8805SV is a motor driver for PC and server fans.

### Feature

- Direct PWM three-phase sensorless motor driver

### Specifications

**Absolute Maximum Ratings** at  $T_a = 25^\circ\text{C}$

Parameter	Symbol	Conditions	Ratings	Unit
V <sub>CC</sub> maximum supply voltage	V <sub>CC</sub> max		16	V
V <sub>G</sub> maximum supply voltage	V <sub>G</sub> max		21	V
OUT pin withstand voltage	V <sub>OUT</sub> max		16	V
OUT pin maximum output current	I <sub>OUT</sub> max	UO pin, VO pin, WO pin	1.2	A
SOFTST pin withstand voltage	V <sub>SOFTST</sub> max		6	V
FR pin withstand voltage	V <sub>FR</sub> max		6	V
PWMIN pin withstand voltage	V <sub>PWMIN</sub> max		6	V
FG output pin withstand voltage	V <sub>FG</sub> max		16	V
FG pin output current	I <sub>FG</sub> max		5	mA
RD output pin withstand voltage	V <sub>RD</sub> max		16	V
RD pin output current	I <sub>RD</sub> max		5	mA
Allowable Power dissipation 1	P <sub>d</sub> max1	Independent IC	0.3	W
Allowable Power dissipation 2	P <sub>d</sub> max2	Mounted on designated board *1	0.95	W
Operating temperature	T <sub>opr</sub>		-40 to +95	°C
Storage temperature	T <sub>stg</sub>	*2	-55 to +150	°C

\*1: When mounted on the designated 76.1mm × 114.3mm × 1.6mm, glass epoxy board (single-layer)

\*2: Do not exceed T<sub>jmax</sub>=150°C.

Caution 1) Absolute maximum ratings represent the value which cannot be exceeded for any length of time.

Caution 2) Even when the device is used within the range of absolute maximum ratings, as a result of continuous usage under high temperature, high current, high voltage, or drastic temperature change, the reliability of the IC may be degraded. Please contact us for the further details.

- Any and all SANYO Semiconductor Co.,Ltd. products described or contained herein are, with regard to "standard application", intended for the use as general electronics equipment. The products mentioned herein shall not be intended for use for any "special application" (medical equipment whose purpose is to sustain life, aerospace instrument, nuclear control device, burning appliances, transportation machine, traffic signal system, safety equipment etc.) that shall require extremely high level of reliability and can directly threaten human lives in case of failure or malfunction of the product or may cause harm to human bodies, nor shall they grant any guarantee thereof. If you should intend to use our products for new introduction or other application different from current conditions on the usage of automotive device, communication device, office equipment, industrial equipment etc. , please consult with us about usage condition (temperature, operation time etc.) prior to the intended use. If there is no consultation or inquiry before the intended use, our customer shall be solely responsible for the use.
- Specifications of any and all SANYO Semiconductor Co.,Ltd. products described or contained herein stipulate the performance, characteristics, and functions of the described products in the independent state, and are not guarantees of the performance, characteristics, and functions of the described products as mounted in the customer's products or equipment. To verify symptoms and states that cannot be evaluated in an independent device, the customer should always evaluate and test devices mounted in the customer's products or equipment.

**SANYO Semiconductor Co., Ltd.**

<http://www.sanyosemi.com/en/network/>

# LV8805SV

## Allowable Operating Conditions at Ta = 25°C

Parameter	Symbol	Conditions	Ratings	Unit
V <sub>CC</sub> supply voltage	V <sub>CC</sub>		6 to 15	V
SOFTST input voltage range	V <sub>SOFTST</sub>		0 to V <sub>REG</sub>	V
FR input voltage range	V <sub>FR</sub>		0 to V <sub>REG</sub>	V
MINSP input voltage range	V <sub>MINSP</sub>		0 to V <sub>REG</sub>	V

## Electrical Characteristics at Ta = 25°C, V<sub>CC</sub> = 12V, unless otherwise specified

Parameter	Symbol	Conditions	Ratings			Unit
			min	typ	max	
Circuit current 1	I <sub>CC1</sub>			2.6	3.6	mA
<b>Charge pump block</b>						
Charge pump output voltage	V <sub>VG</sub>			17		V
<b>Regulator block</b>						
5V regulator voltage	V <sub>VREG</sub>		4.75	5	5.25	V
<b>Output on resistance</b>						
Sum of high-/low-side output transistor on resistance	R <sub>on (H+L)</sub>	I <sub>O</sub> = 0.7A, V <sub>CC</sub> = 12V, V <sub>G</sub> = 17V		1.2	2	Ω
<b>Startup oscillator (OSC) pin</b>						
OSC pin charge current	I <sub>OSCC</sub>			-2.5		μA
OSC pin discharge current	I <sub>OSCD</sub>			2.5		μA
<b>PWM input (PWMIN) pin</b>						
High-level input voltage range	V <sub>PWMINH</sub>		2.3		V <sub>REG</sub>	V
Low-level input voltage range	V <sub>PWMINL</sub>		0		1	V
Range of PWM input frequency	f <sub>PWMIN</sub>		15		60	kHz
<b>Forward/reverse switching pin</b>						
High-level input voltage range	V <sub>FRH</sub>	Order of current application : U <sub>OUT</sub> →V <sub>OUT</sub> →W <sub>OUT</sub>	2.3		V <sub>REG</sub>	V
Low-level input voltage range	V <sub>FRL</sub>	Order of current application : U <sub>OUT</sub> →W <sub>OUT</sub> →V <sub>OUT</sub>	0		1	V
<b>FG and RD output pins</b>						
FG output pin low-level voltage	V <sub>FG</sub>	When I <sub>O</sub> is 2mA		0.25	0.35	V
FG output pin leak voltage	I <sub>LFG</sub>	When V <sub>FG</sub> is 16V			1	μA
RD output pin low-level voltage	V <sub>RD</sub>	When I <sub>O</sub> is 2mA		0.25	0.35	V
RD output pin leak voltage	I <sub>LRD</sub>	When V <sub>RD</sub> is 16V			1	μA
<b>Current limiter circuit</b>						
Limiter voltage	V <sub>RF</sub>	Limit current set to 1A when R <sub>F</sub> is 0.25Ω.	0.225	0.25	0.275	V
<b>Constraint protection circuit</b>						
CT pin high-level voltage	V <sub>CTH</sub>		2.25	2.8	2.95	V
CT pin low-level voltage	V <sub>CTL</sub>		0.43	0.5	0.65	V
CT pin charge current	I <sub>CTC</sub>		-2.9	-2.5	-2.1	μA
CT pin discharge current	I <sub>CTD</sub>		0.21	0.25	0.32	μA
ICT charge/discharge ratio	R <sub>CT</sub>		7	10	13	
<b>Soft start circuit</b>						
Soft start releasing voltage	V <sub>SOFTST</sub>			2.5		V
SOFTST pin charge current	I <sub>SOFTST</sub>			0.6		μA
<b>Thermal protection circuit</b>						
Thermal protection circuit operating temperature	TSD	Design target *	150	180	210	°C

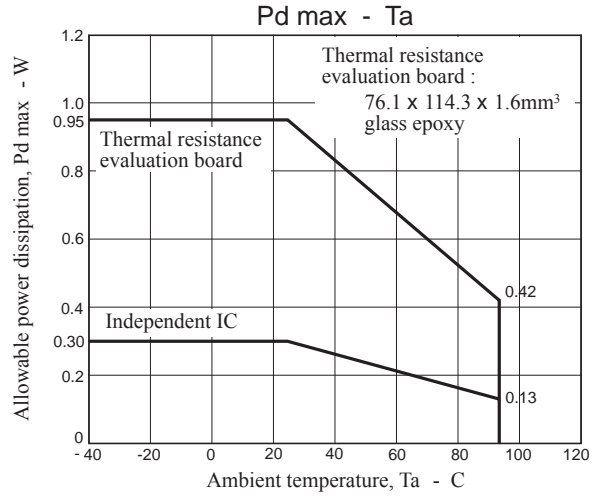
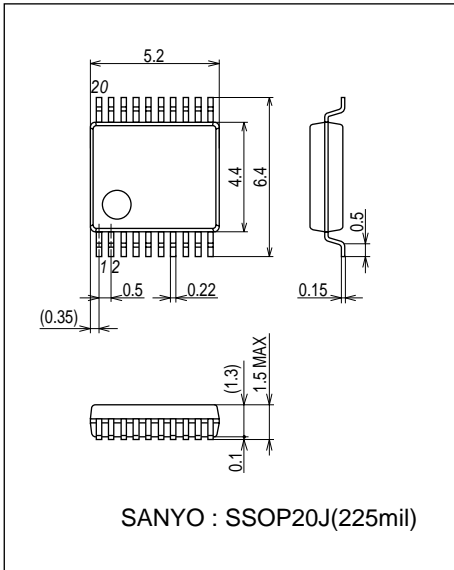
\* : Design target value and no measurement is made. The thermal protection circuit is incorporated to protect the IC from burnout or thermal destruction. Since it operates outside the IC's guaranteed operating range, the customer's thermal design should be performed so that the thermal protection circuit will not be activated when the fan is running under normal operating conditions.

# LV8805SV

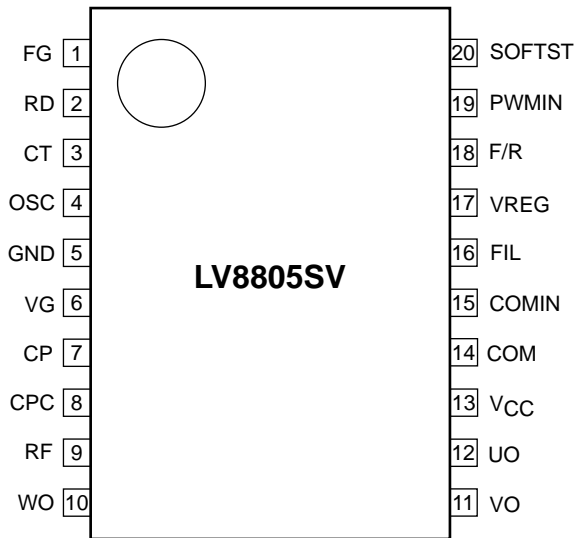
## Package Dimensions

unit : mm (typ)

3360



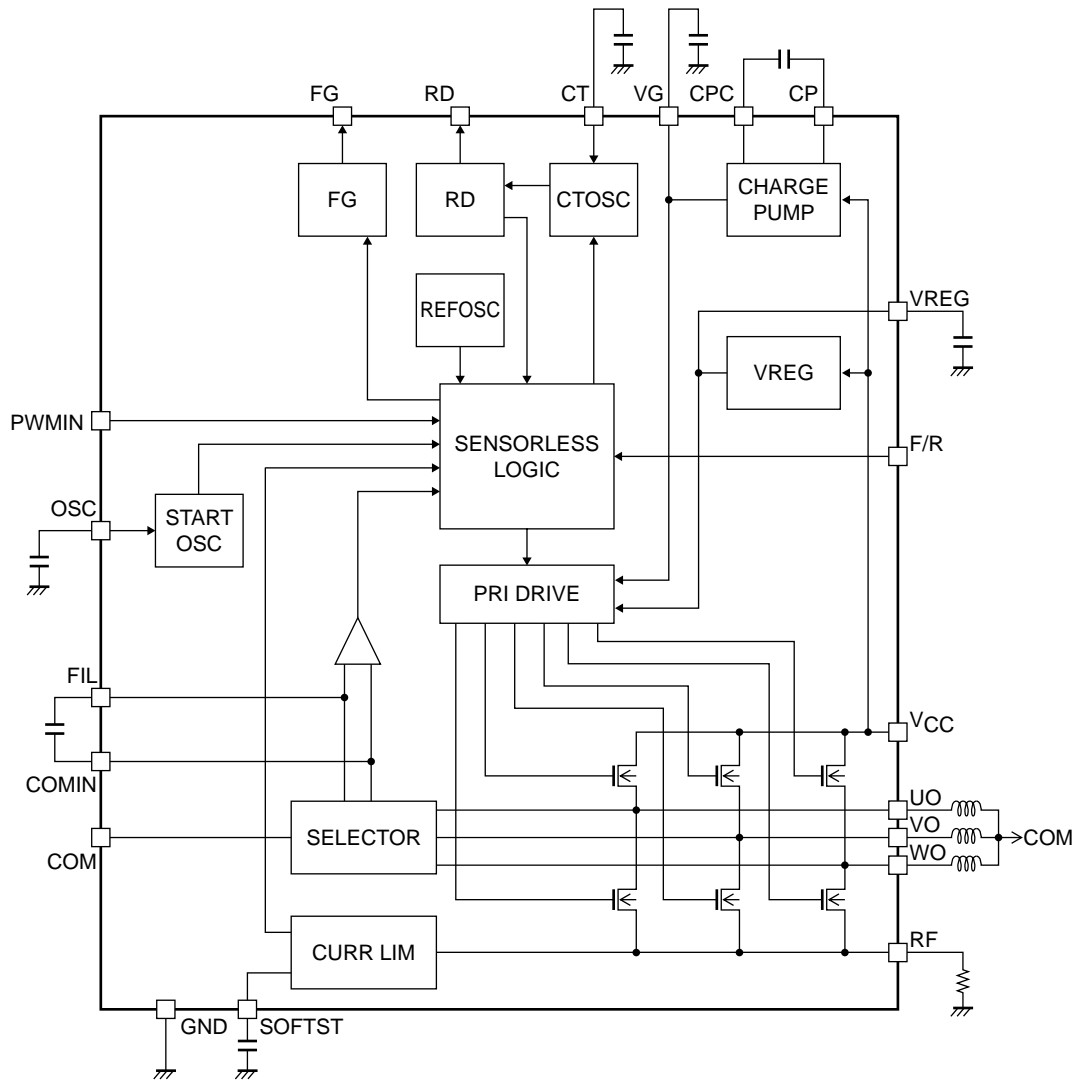
## Pin Assignment



Top view

# LV8805SV

## Block Diagram



# LV8805SV

## Pin Function

Pin No.	Pin name	Function	Equivalent circuit
1	FG	FG pulse output. This pin outputs a Hall sensor system equivalent pulse signal.	
2	RD	Motor lockup detection output. Output is fixed high when motor is locked up.	
3	CT	Motor lockup detection time setting. When the motor lockup condition is detected, the protection time period before the protection circuit is activated is set by connecting a capacitor between this pin and ground.	
4	OSC	Motor startup frequency setting. A capacitor must be connected between this pin and ground. The startup frequency is adjusted by controlling the charge/discharge current and capacitance of the capacitor.	
5	GND	GND pin	
6	VG	Charge pump step-up voltage output. A capacitor must be connected between this pin and the V <sub>CC</sub> pin or ground.	
7	CP	Charge pump step-up pulse output pin. A capacitor must be connected between this pin and the CPC pin (pin 8).	
8	CPC	Charge pump step-up pin. A capacitor must be connected between this pin and the CP pin (pin 7).	
13	V <sub>CC</sub>	Power supply for the IC and motor. Capacitors must be connected between these pins and ground.	
12	UO	Output pins. Connect these pins to the U, V, and W of the motor coil.	
11	VO		
10	WO		
9	RF	Output current detection pins. The drive current is detected by connecting a resistor between these pins and ground.	

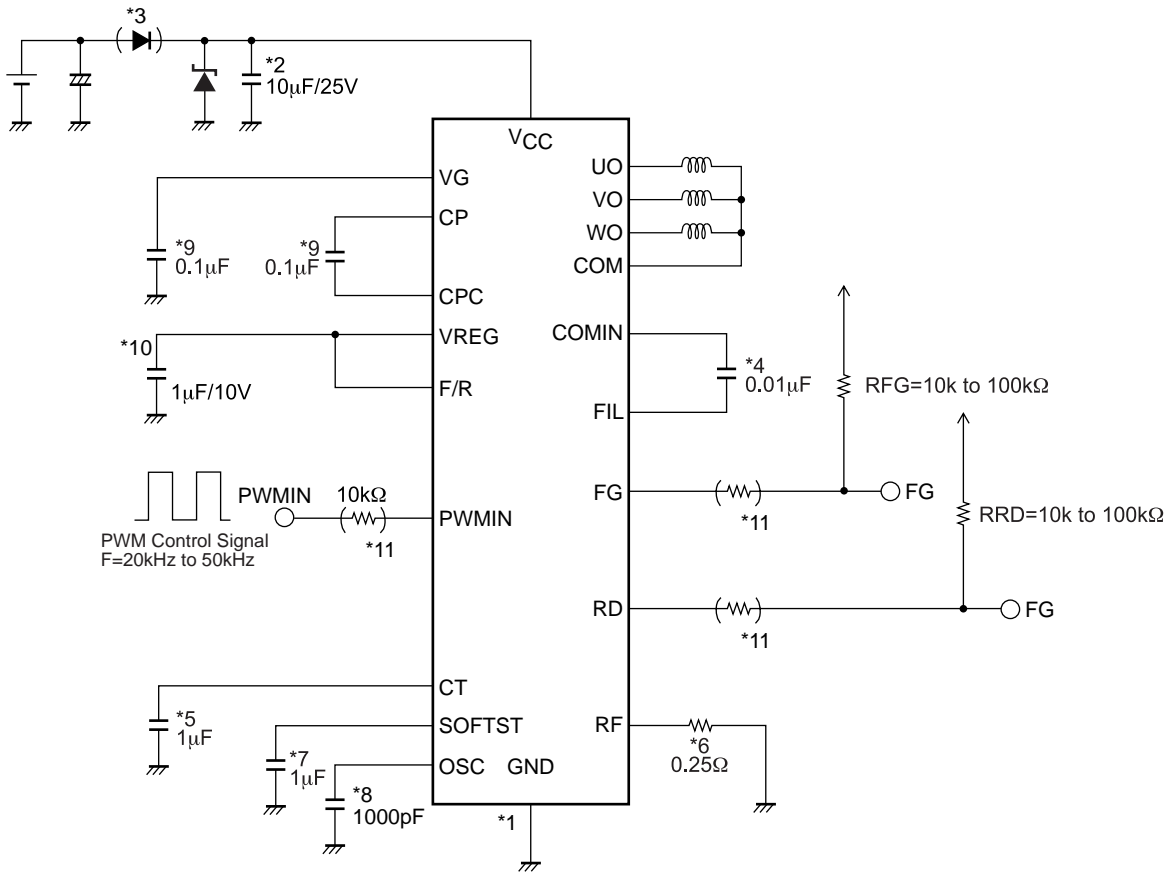
Continued on next page.

# LV8805SV

Continued from preceding page.

Pin No.	Pin name	Function	Equivalent circuit
14	COM	Motor middle point connection.	
15	COMIN	Motor position detection comparator filter pin. A capacitor must be connected between this pin and the FIL pin (pin 16).	
16	FIL	Motor position detection comparator filter pin. A capacitor must be connected between this pin and the COMIN pin (pin 15).	
17	VREG	Regulator voltage (5V) output. A capacitor must be connected between these pins and ground.	
18	F/R	Motor rotation direction switching. A high-level input causes current to flow into the motor in the order of U, V, and W and a low-level input in the order of U, W, and V. Changing the order of current application turns the motor in the opposite direction.	
19	PWMIN	PWM signal input pin. "H" The output transistor is turned on by the level voltage input. "L" The output transistor is turned off by the level voltage input, and the motor stops. The speed of the motor is controlled by controlling Duty of the input signal. When the pin opens, the motor becomes all velocities.	
20	SOFTST	Soft start time setting. The motor can be started smoothly by connecting a capacitor between this pin and ground.	

## Application Circuit Example



**\*1. Power supply and GND wiring**

The GND is connected to the control circuit power supply system.

**\*2. Power-side power stabilization capacitor**

For the power-side power stabilization capacitor, use a capacitor of 10µF or more.

Connect the capacitor between VCC and GND with a thick and along the shortest possible route.

LV8805SV uses synchronous rectification for high efficiency drive. Synchronous rectification is effective for heat reduction and higher efficiency. However, it may increase supply voltage.

If the supply voltage shall increase, make sure that it does not exceed the maximum ratings by inserting a zener diode between power supply and GND.

**\*3. Reverse connection protection diode**

This diode protects reverse connection.

Insert a diode between power supply and VCC pin to protect the IC from destruction due to reverse connection.

Connection of this diode is not necessary required.

**\*4. COMIN and FIL pins**

These pins are used to connect the filter capacitor. The LV8804 uses the back EMF signal generated when the motor is running to detect the information on the rotor position. The IC determines the timing at which the output block applies current to the motor based on the position information obtained here. Insert a filter capacitor with a capacitance ranging from (1,000pF to 10,000pF) between the COMIN pin and FIL pin to prevent any motor startup missoperation that is caused by noise. However, care must be taken since an excessively high capacitance will give rise to deterioration in efficiency and delays in the output power-on timing while the motor is running at high speed. Furthermore, connect the capacitor between the COMIN pin and FIL pin as close as possible in order to avoid the effects of noise from other sources.

**\*5. CT pin**

This pin is used to connect the lock detection capacitor.

The constant-current charging and constant-current discharging circuits incorporated causes locking when the pin voltage reaches 2.5V, and releasing the lock protection when it drops to 0.5V. This pin must be connected to the GND when it is not going to be used.

**\*6. RF pins**

These pins are used to set the current limit.

When the pin voltage exceeds 0.25V, the current is limited, and regeneration mode is established. In the application circuit, this voltage is set in such a way that the current limit will be established at 1A.

The calculation formula is given below.

RF resistance = 0.25V/target current limit value

**\*7. SOFTST pin**

This pin is used to set the soft start.

By connecting a capacitor between this pin and GND, the motor speed can be increased gradually.

When the pin voltage exceeds 2.5V, the soft start is released, and the LV8804V is switched to normal control.

If the soft start function is not going to be used, connect the pin to the VREG pin.

**\*8. OSC pin**

This pin is used to connect the capacitor for setting the startup frequency.

A capacitor with a capacitance ranging from about 500pF to 2,200pF (recommendation) must be connected between this pin and GND.

The OSC pin determines the motor startup frequency, so be sure to connect a capacitor to it.

<How to select the capacitance>

Select a capacitance value that will result in the shortest possible startup time for achieving the target speed and produce minimal variations in the startup time. If the capacitance is too high, variations in the startup time will increase; conversely, if it is too low, the motor may idle. The optimum OSC constant depends on the motor characteristics and startup current, so be sure to recheck them when the type of motor used or circuit specifications are changed.

**\*9. VG, CP, and CPC pins**

These pins are used to connect the capacitors to generate the pre-drive voltage and stabilize the pre-drive power supply.

Be sure to connect these capacitors in order to generate the drive voltage for the high-side (upper) output DMOS transistor.

**\*10. VREG pins**

These are the control system power supply pin and regulator output pin, which create the power supply of the control unit. Be sure to connect a capacitor between this pin and GND in order to stabilize control system operation.

Since these pins are used to supply current for control and generate the charge pump voltage, connect a capacitor with a capacitance that is higher than that of the capacitor connected to the charge pump.

Both the VREG pins (pins 3 and 4) must be short-circuited on the print pattern.

**\*11. Pin protection resistor**

It is recommended that resistors higher than 1kΩ are connected serially to protect pins against misconnection such as GND open and reverse connection.



- SANYO Semiconductor Co.,Ltd. assumes no responsibility for equipment failures that result from using products at values that exceed, even momentarily, rated values (such as maximum ratings, operating condition ranges, or other parameters) listed in products specifications of any and all SANYO Semiconductor Co.,Ltd. products described or contained herein.
- Regarding monolithic semiconductors, if you should intend to use this IC continuously under high temperature, high current, high voltage, or drastic temperature change, even if it is used within the range of absolute maximum ratings or operating conditions, there is a possibility of decrease reliability. Please contact us for a confirmation.
- SANYO Semiconductor Co.,Ltd. strives to supply high-quality high-reliability products, however, any and all semiconductor products fail or malfunction with some probability. It is possible that these probabilistic failures or malfunction could give rise to accidents or events that could endanger human lives, trouble that could give rise to smoke or fire, or accidents that could cause damage to other property. When designing equipment, adopt safety measures so that these kinds of accidents or events cannot occur. Such measures include but are not limited to protective circuits and error prevention circuits for safe design, redundant design, and structural design.
- In the event that any or all SANYO Semiconductor Co.,Ltd. products described or contained herein are controlled under any of applicable local export control laws and regulations, such products may require the export license from the authorities concerned in accordance with the above law.
- No part of this publication may be reproduced or transmitted in any form or by any means, electronic or mechanical, including photocopying and recording, or any information storage or retrieval system, or otherwise, without the prior written consent of SANYO Semiconductor Co.,Ltd.
- Any and all information described or contained herein are subject to change without notice due to product/technology improvement, etc. When designing equipment, refer to the "Delivery Specification" for the SANYO Semiconductor Co.,Ltd. product that you intend to use.
- Upon using the technical information or products described herein, neither warranty nor license shall be granted with regard to intellectual property rights or any other rights of SANYO Semiconductor Co.,Ltd. or any third party. SANYO Semiconductor Co.,Ltd. shall not be liable for any claim or suits with regard to a third party's intellectual property rights which has resulted from the use of the technical information and products mentioned above.

This catalog provides information as of November, 2011. Specifications and information herein are subject to change without notice.

Компания «Life Electronics» занимается поставками электронных компонентов импортного и отечественного производства от производителей и со складов крупных дистрибьюторов Европы, Америки и Азии.

С конца 2013 года компания активно расширяет линейку поставок компонентов по направлению коаксиальный кабель, кварцевые генераторы и конденсаторы (керамические, пленочные, электролитические), за счёт заключения дистрибьюторских договоров

Мы предлагаем:

- Конкурентоспособные цены и скидки постоянным клиентам.
- Специальные условия для постоянных клиентов.
- Подбор аналогов.
- Поставку компонентов в любых объемах, удовлетворяющих вашим потребностям.
- Приемлемые сроки поставки, возможна ускоренная поставка.
- Доставку товара в любую точку России и стран СНГ.
- Комплексную поставку.
- Работу по проектам и поставку образцов.
- Формирование склада под заказчика.
- Сертификаты соответствия на поставляемую продукцию (по желанию клиента).
- Тестирование поставляемой продукции.
- Поставку компонентов, требующих военную и космическую приемку.
- Входной контроль качества.
- Наличие сертификата ISO.

В составе нашей компании организован Конструкторский отдел, призванный помогать разработчикам, и инженерам.

Конструкторский отдел помогает осуществить:

- Регистрацию проекта у производителя компонентов.
- Техническую поддержку проекта.
- Защиту от снятия компонента с производства.
- Оценку стоимости проекта по компонентам.
- Изготовление тестовой платы монтаж и пусконаладочные работы.



Тел: +7 (812) 336 43 04 (многоканальный)

Email: [org@lifeelectronics.ru](mailto:org@lifeelectronics.ru)

[www.lifeelectronics.ru](http://www.lifeelectronics.ru)