

Single chip 2.4 GHz Transceiver

nRF2401A

FEATURES

- True single chip GFSK transceiver in a small 24-pin package (QFN24 5x5mm)
- Data rate 0 to 1Mbps
- Only 2 external components
- Multi channel operation
 - 125 channels
 - Channel switching time <200µs.
 - Support frequency hopping
- Data slicer / clock recovery of data
- Address and CRC computation
- DuoCeiver™ for simultaneous dual receiver topology
- ShockBurst™ mode for ultra-low power operation and relaxed MCU performance
- Power supply range: 1.9 to 3.6 V
- Low supply current (TX), typical 10.5mA peak @ -5dBm output power
- Low supply current (RX), typical 18mA peak in receive mode
- 100 % RF tested
- No need for external SAW filter
- World wide use

APPLICATIONS

- Wireless mouse, keyboard, joystick
- Keyless entry
- Wireless data communication
- Alarm and security systems
- Home automation
- Surveillance
- Automotive
- Telemetry
- Intelligent sports equipment
- Industrial sensors
- Toys

GENERAL DESCRIPTION

nRF2401A is a single-chip radio transceiver for the world wide 2.4 - 2.5 GHz ISM band. The transceiver consists of a fully integrated frequency synthesizer, a power amplifier, a crystal oscillator and a modulator. Output power and frequency channels are easily programmable by use of the 3-wire serial interface. Current consumption is very low, only 10.5mA at an output power of -5dBm and 18mA in receive mode. Built-in Power Down modes makes power saving easily realizable.

QUICK REFERENCE DATA

| Parameter | Value | Unit |
|---|------------|------|
| Minimum supply voltage | 1.9 | V |
| Maximum output power | 0 | dBm |
| Maximum data rate | 1000 | kbps |
| Supply current in transmit @ -5dBm output power | 10.5 | mA |
| Supply current in receive mode | 18 | mA |
| Temperature range | -40 to +85 | °C |
| Sensitivity | -93 | dBm |
| Supply current in Power Down mode | 900 | nA |

Table 1 nRF2401A quick reference data



| Type Number | Description | Version |
|----------------|--|---------|
| NRF2401AG | 24 pin QFN 5x5, RoHS & SS-00259 compliant | B |
| NRF2401A-EVKIT | Evaluation kit (2 test PCB, 2 configuration PCB, SW) | 1.0 |

Table 2 nRF2401A ordering information

BLOCK DIAGRAM

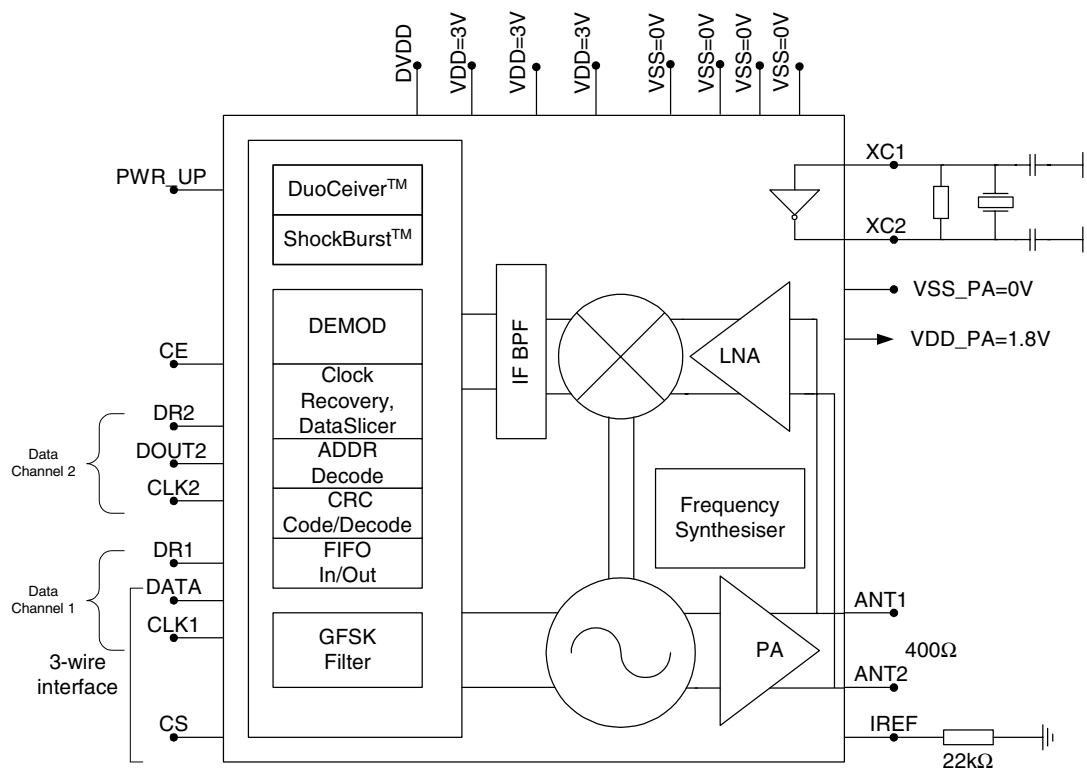


Figure 1 nRF2401A with external components.



PIN FUNCTIONS

| Pin | Name | Pin function | Description |
|-----|--------|----------------|--|
| 1 | CE | Digital Input | Chip Enable Activates RX or TX mode |
| 2 | DR2 | Digital Output | RX Data Ready at Data Channel 2 (ShockBurst™ only) |
| 3 | CLK2 | Digital I/O | Clock Output/Input for RX Data Channel 2 |
| 4 | DOUT2 | Digital Output | RX Data Channel 2 |
| 5 | CS | Digital Input | Chip Select Activates Configuration Mode |
| 6 | DR1 | Digital Output | RX Data Ready at Data Channel 1 (ShockBurst™ only) |
| 7 | CLK1 | Digital I/O | Clock Input (TX) & Output/Input (RX) for Data Channel 1 3-wire interface |
| 8 | DATA | Digital I/O | RX Data Channel 1/TX Data Input/ 3-wire interface |
| 9 | DVDD | Power Output | Positive Digital Supply output for de-coupling purposes |
| 10 | VSS | Power | Ground (0V) |
| 11 | XC2 | Analog Output | Crystal Pin 2 |
| 12 | XC1 | Analog Input | Crystal Pin 1 |
| 13 | VDD_PA | Power Output | Power Supply (+1.8V) to Power Amplifier |
| 14 | ANT1 | RF | Antenna interface 1 |
| 15 | ANT2 | RF | Antenna interface 2 |
| 16 | VSS_PA | Power | Ground (0V) |
| 17 | VDD | Power | Power Supply (+3V DC) |
| 18 | VSS | Power | Ground (0V) |
| 19 | IREF | Analog Input | Reference current |
| 20 | VSS | Power | Ground (0V) |
| 21 | VDD | Power | Power Supply (+3V DC) |
| 22 | VSS | Power | Ground (0V) |
| 23 | PWR_UP | Digital Input | Power Up |
| 24 | VDD | Power | Power Supply (+3V DC) |

Table 3 nRF2401A pin function

PIN ASSIGNMENT

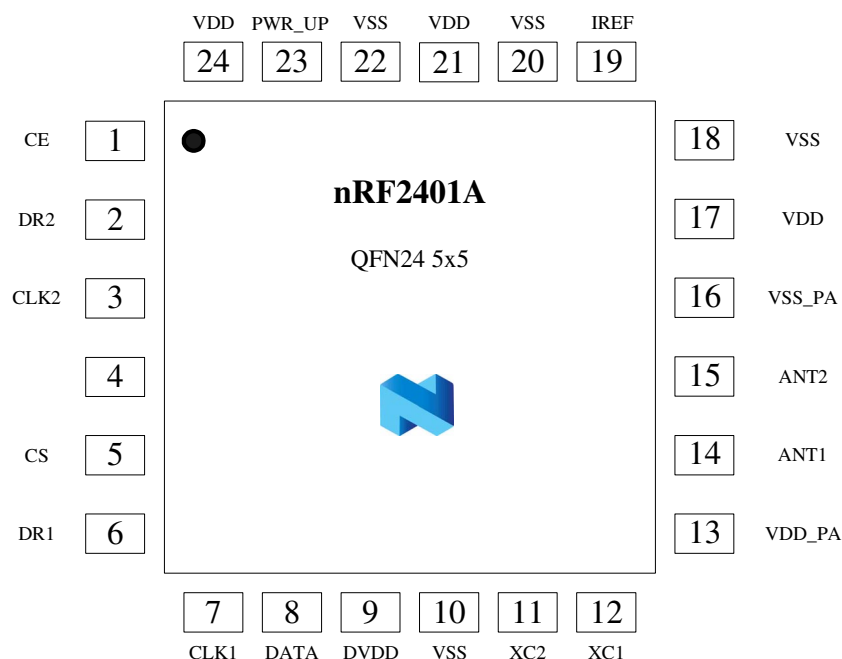


Figure 2 nRF2401A pin assignment (top view) for a QFN24 5x5 package.



ELECTRICAL SPECIFICATIONS

Conditions: VDD = +3V, VSS = 0V, T_A = - 40°C to + 85°C

| Symbol | Parameter (condition) | Notes | Min. | Typ. | Max. | Units |
|------------------------------|--|-------|----------|---------|------|-------|
| Operating conditions | | | | | | |
| VDD | Supply voltage | | 1.9 | 3.0 | 3.6 | V |
| TEMP | Operating Temperature | | -40 | +27 | +85 | °C |
| Digital input pin | | | | | | |
| V _{IH} | HIGH level input voltage | | VDD- 0.3 | | VDD | V |
| V _{IL} | LOW level input voltage | | Vss | | 0.3 | V |
| Digital output pin | | | | | | |
| V _{OH} | HIGH level output voltage (I _{OH} =-0.5mA) | | VDD- 0.3 | | VDD | V |
| V _{OL} | LOW level output voltage (I _{OL} =0.5mA) | | Vss | | 0.3 | V |
| General RF conditions | | | | | | |
| f _{OP} | Operating frequency | 1) | 2400 | | 2524 | MHz |
| f _{XTAL} | Crystal frequency | 2) | 4 | | 20 | MHz |
| Δf | Frequency deviation | | | ±156 | | kHz |
| R _{GFSK} | Data rate ShockBurst™ | | >0 | | 1000 | kbps |
| R _{GFSK} | Data rate Direct Mode | 3) | 250 | | 1000 | kbps |
| F _{CHANNEL} | Channel spacing | | | 1 | | MHz |
| Transmitter operation | | | | | | |
| P _{RF} | Maximum Output Power | 4) | | 0 | +4 | dBm |
| P _{RFC} | RF Power Control Range | | 16 | 20 | | dB |
| P _{RFCR} | RF Power Control Range Resolution | | | | ±3 | dB |
| P _{BW} | 20dB Bandwidth for Modulated Carrier | | | | 1000 | kHz |
| P _{RF2} | 2 nd Adjacent Channel Transmit Power 2MHz | | | | -20 | dBm |
| P _{RF3} | 3 rd Adjacent Channel Transmit Power 3MHz | | | | -40 | dBm |
| I _{VDD} | Supply current @ 0dBm output power | 5) | | 13 | | mA |
| I _{VDD} | Supply current @ -20dBm output power | 5) | | 8.8 | | mA |
| I _{VDD} | Average Supply current @ -5dBm output power, ShockBurst™ | 6) | | 0.8 | | mA |
| I _{VDD} | Average Supply current in stand-by mode | 7) | | 12 | | μA |
| I _{VDD} | Average Supply current in power down | | | 900 | | nA |
| Receiver operation | | | | | | |
| I _{VDD} | Supply current one channel 250kbps | | | 18 | | mA |
| I _{VDD} | Supply current one channel 1000kbps | | | 19 | | mA |
| I _{VDD} | Supply current two channels 250kbps | | | 23 | | mA |
| I _{VDD} | Supply current two channels 1000kbps | | | 25 | | mA |
| RX _{SENS} | Sensitivity at 0.1%BER (@250kbps) | | | -93 | | dBm |
| RX _{SENS} | Sensitivity at 0.1%BER (@1000kbps) | | | -85 | | dBm |
| C/I _{CO} | C/I Co-channel | 8) | | 10/4 | | dB |
| C/I _{1ST} | 1 st Adjacent Channel Selectivity C/I 1MHz | 8) | | -20/0 | | dB |
| C/I _{2ND} | 2 nd Adjacent Channel Selectivity C/I 2MHz | 8) | | -37/-20 | | dB |
| C/I _{3RD} | 3 rd Adjacent Channel Selectivity C/I 3MHz | 8) | | -43/-30 | | dB |
| RX _B | Blocking Data Channel 2 | | | -45/-41 | | dB |

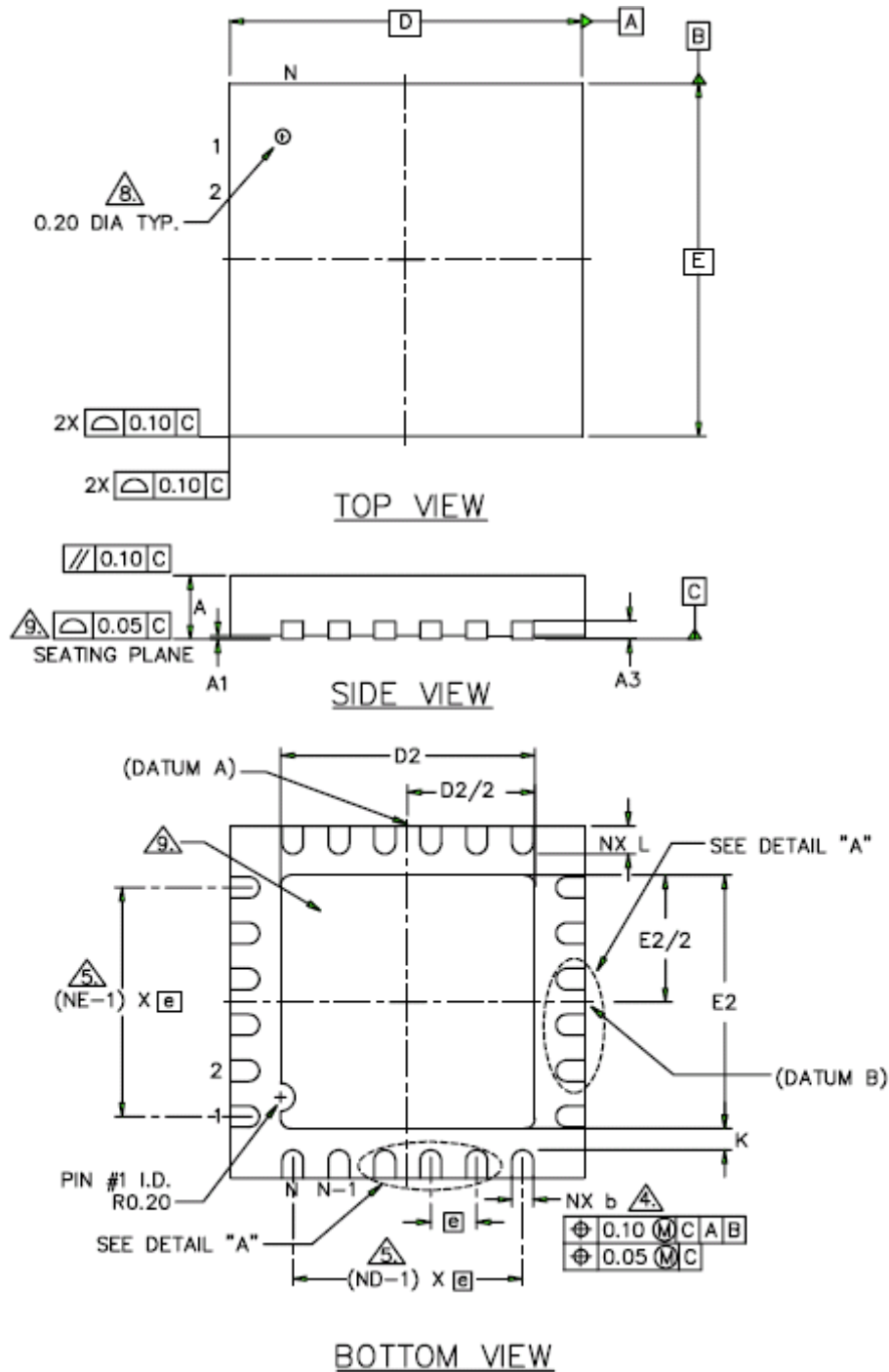
- 1) Usable band is determined by local regulations
- 2) The crystal frequency may be chosen from 5 different values (4, 8, 12, 16, and 20MHz) which are specified in the configuration word, see Table 8. 16MHz are required for 1Mbps operation.
- 3) Data rate must be either 250kbps or 1000kbps.
- 4) Antenna load impedance = 100Ω+j175Ω
- 5) Antenna load impedance = 100Ω+j175Ω. Effective data rate 250kbps or 1Mbps.
- 6) Antenna load impedance = 100Ω+j175Ω. Effective data rate 10kbps.
- 7) Current if 4 MHz crystal is used.
- 8) 250kbps/1000kbps.

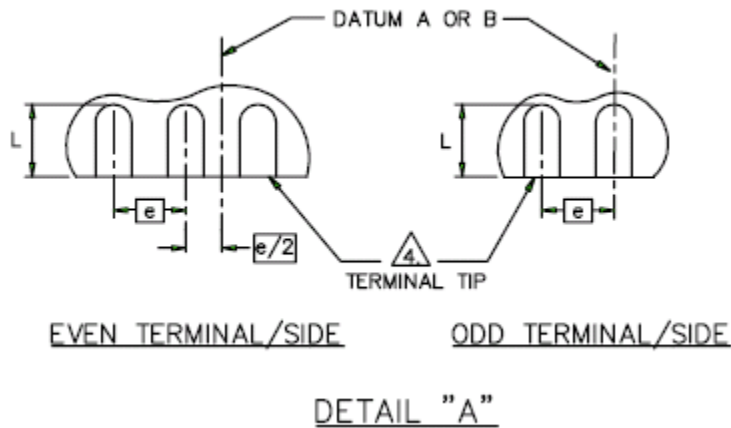
Table 4 nRF2401A RF specifications



PACKAGE OUTLINE

nRF2401AG uses the QFN24 5x5 package, with matt tin plating.





| Package Type | | A | A1 | A3 | K | D/E | e | D2/E2 | L | b |
|--------------------|-----|------|------|------|------|-----|------|-------|------|------|
| SAW QFN24 (5x5) | Min | 0.8 | 0.00 | 0.20 | 0.20 | 5.0 | 0.65 | 3.50 | 0.35 | 0.25 |
| | Typ | 0.85 | 0.02 | REF. | MIN. | BSC | BSC | 3.60 | 0.40 | 0.30 |
| | Max | 0.90 | 0.05 | | | | | 3.70 | 0.45 | 0.35 |

Figure 3 nRF2401A package outline. Dimensions are in mm.

Package marking:

| | | | | | |
|---|---|---|---|---|---|
| n | R | F | | B | X |
| 2 | 4 | 0 | 1 | A | G |
| Y | Y | W | W | L | L |

Abbreviations:

- B – Build Code, i.e. unique code for production sites, package type and test platform
- X – "X" grade, i.e. Engineering Samples (optional)
- YY – 2 digit Year number
- WW – 2 digit Week number
- LL – 2 letter wafer lot number code



Absolute Maximum Ratings

Supply voltages

VDD..... - 0.3V to + 3.6V

VSS..... 0V

Input voltage

V_I..... - 0.3V to VDD + 0.3V

Output voltage

V_O..... - 0.3V to VDD + 0.3V

Total Power Dissipation

P_D (T_A=85°C) 90mW

Temperatures

Operating Temperature.... - 40°C to + 85°C

Storage Temperature..... - 40°C to + 125°C

Moisture Sensitivity Level

MSL2@260°C, three times reflow

Note: Stress exceeding one or more of the limiting values may cause permanent damage to the device.

ATTENTION!

Electrostatic Sensitive Device
Observe Precaution for handling.





Glossary of Terms

| Term | Description |
|-------------|---------------------------------|
| CLK | Clock |
| CRC | Cyclic Redundancy Check |
| CS | Chip Select |
| CE | Chip Enable |
| DR | Data Ready |
| GFSK | Gaussian Frequency Shift Keying |
| ISM | Industrial-Scientific-Medical |
| MCU | Micro controller |
| OD | Overdrive |
| PWR_DWN | Power Down |
| PWR_UP | Power Up |
| RX | Receive |
| ST_BY | Standby |
| TX | Transmit |

Table 5 Glossary



MODES OF OPERATION

Overview

The nRF2401A can be set in the following main modes depending on three control pins:

| Mode | PWR_UP | CE | CS |
|----------------|--------|----|----|
| Active (RX/TX) | 1 | 1 | 0 |
| Configuration | 1 | 0 | 1 |
| Stand by | 1 | 0 | 0 |
| Power down | 0 | X | X |

Table 6 nRF2401A main modes

For a complete overview of the nRF2401A I/O pins in the different modes please refer to Table 7.

Active modes

The nRF2401A has two active (RX/TX) modes:

- ShockBurst™
- Direct Mode

The device functionality in these modes is decided by the content of a configuration word. This configuration word is presented in configuration section.



ShockBurst™

The ShockBurst™ technology uses on-chip FIFO to clock in data at a low data rate and transmit at a very high rate thus enabling extremely power reduction. When operating the nRF2401A in ShockBurst™, you gain access to the high data rates (1 Mbps) offered by the 2.4 GHz band without the need of a costly, high-speed micro controller (MCU) for data processing. By putting all high speed signal processing related to RF protocol on-chip, the nRF2401A offers the following benefits:

- Highly reduced current consumption
- Lower system cost (facilitates use of less expensive micro controller)
- Greatly reduced risk of ‘on-air’ collisions due to short transmission time

The nRF2401A can be programmed using a simple 3-wire interface where the data rate is decided by the speed of the micro controller. By allowing the digital part of the application to run at low speed while maximizing the data rate on the RF link, the nRF ShockBurst™ mode reduces the average current consumption in applications considerably.

ShockBurst™ principle

When the nRF2401A is configured in ShockBurst™, TX or RX operation is conducted in the following way (10 kbps for the example only).

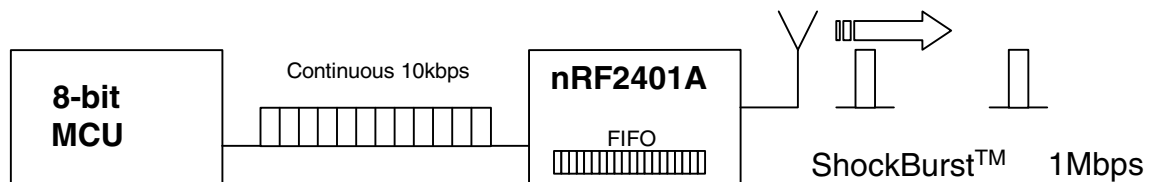


Figure 4 Clocking in data with MCU and sending with ShockBurst™ technology

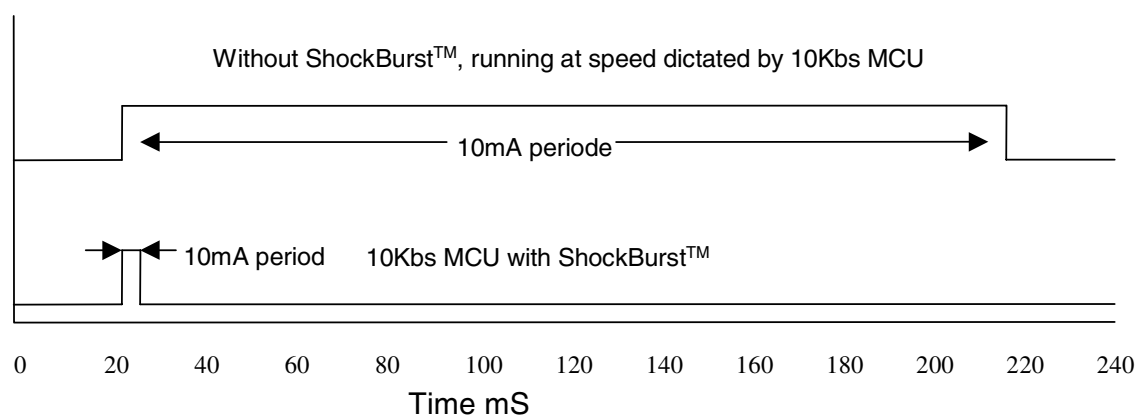


Figure 5 Current consumption with & without ShockBurst™ technology

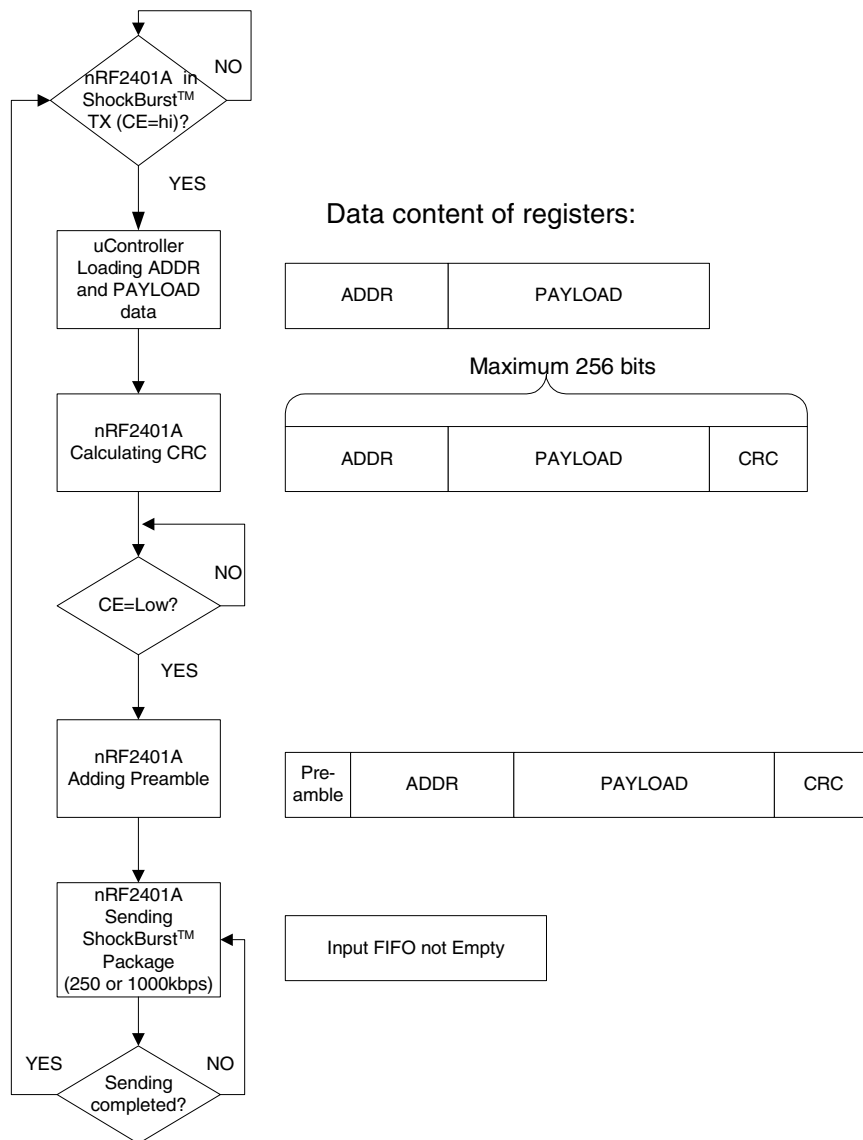


Figure 6 Flow Chart ShockBurst™ Transmit of nRF2401A

nRF2401A ShockBurst™ Transmit:

MCU interface pins: CE, CLK1, DATA

1. When the application MCU has data to send, set CE high. This activates nRF2401A on-board data processing.
2. The address of the receiving node (RX address) and payload data is clocked into the nRF2401A. The application protocol or MCU sets the speed <1Mbps (ex: 10kbps).
3. MCU sets CE low; this activates an nRF2401A ShockBurst™ transmission.
4. nRF2401A ShockBurst™:
 - RF front end is powered up
 - RF package is completed (preamble added, CRC calculated)
 - Data is transmitted at high speed (250 kbps or 1 Mbps configured by user).



- nRF2401A return to stand-by when finished

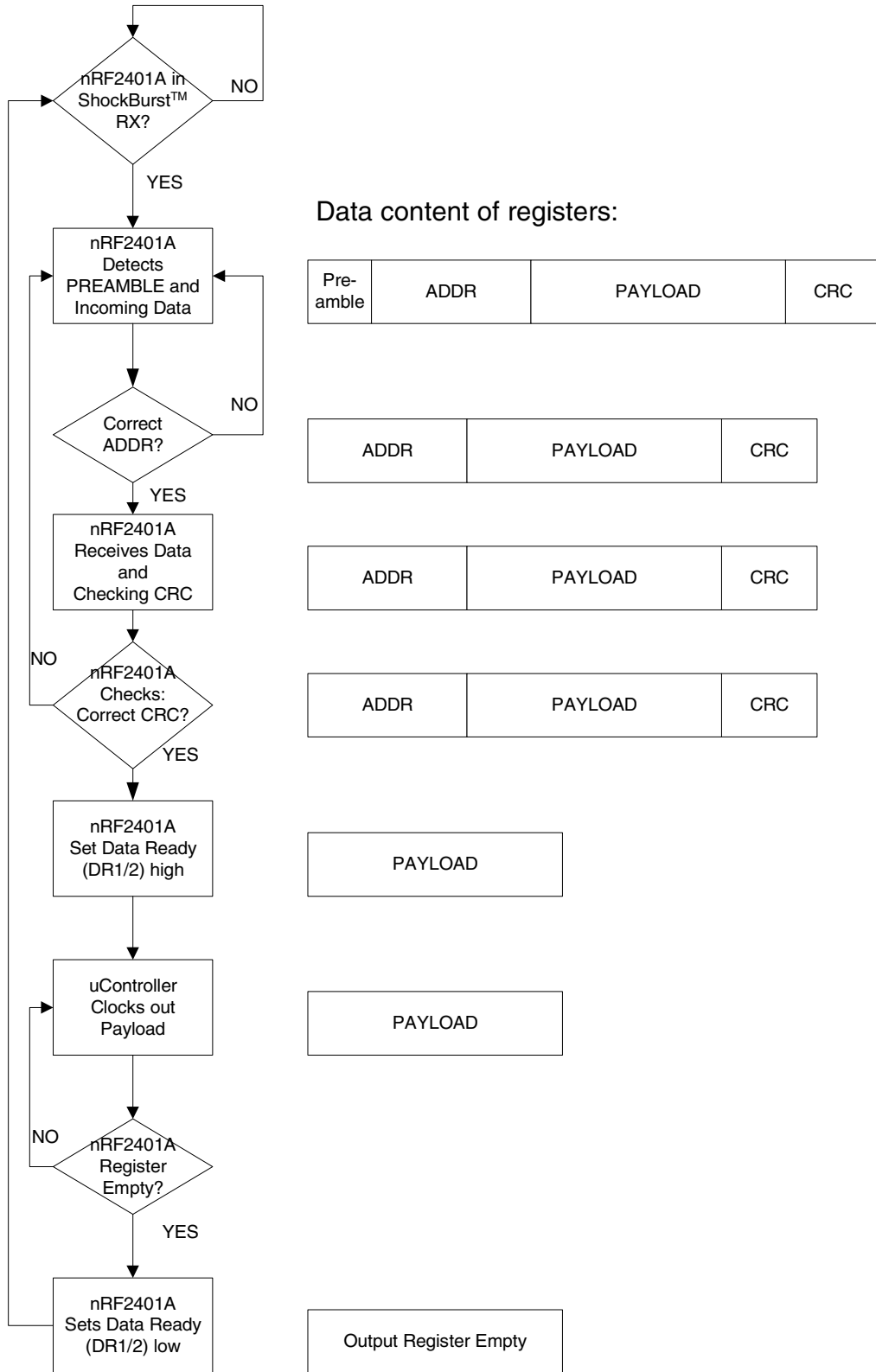


Figure 7 Flow Chart ShockBurst™ Receive of nRF2401A

**nRF2401A ShockBurst™ Receive:**

MCU interface pins: CE, DR1, CLK1 and DATA (one RX channel receive)

1. Correct address and size of payload of incoming RF packages are set when nRF2401A is configured to ShockBurst™ RX.
2. To activate RX, set CE high.
3. After 200 μ s settling, nRF2401A is monitoring the air for incoming communication.
4. When a valid package has been received (correct address and CRC found), nRF2401A removes the preamble, address and CRC bits.
5. nRF2401A then notifies (interrupts) the MCU by setting the DR1 pin high.
6. MCU may (or may not) set the CE low to disable the RF front end (low current mode).
7. The MCU will clock out just the payload data at a suitable rate (ex. 10 kbps).
8. When all payload data is retrieved nRF2401A sets DR1 low again, and is ready for new incoming data package if CE is kept high during data download. If the CE was set low, a new start up sequence can begin, see Figure 16.

Direct Mode

In direct mode the nRF2401A works like a traditional RF device. Data must be at 1Mbps \pm 200ppm, or 250kbps \pm 200ppm at low data rate setting, for the receiver to detect the signals.

Direct Mode Transmit:

MCU interface pins: CE, DATA

1. When application MCU has data to send, set CE high
2. The nRF2401A RF front end is now immediately activated, and after 200 μ s settling time, data will modulate the carrier directly.
3. All RF protocol parts must hence be implemented in MCU firmware (preamble, address and CRC).

Direct Mode Receive:

MCU interface pins: CE, CLK1, and DATA

1. Once the nRF2401A is configured and powered up (CE high) in direct RX mode, DATA will start to toggle due to noise present on the air.
2. CLK1 will also start to toggle as nRF2401A is trying to lock on to the incoming data stream.
3. Once a valid preamble arrives, CLK1 and DATA will lock on to the incoming signal and the RF package will appear at the DATA pin with the same speed as it is transmitted.
4. To enable the demodulator to re-generate the clock, the preamble must be 8 bits toggling hi-low, starting with low if the first data bit is low.
5. In this mode no data ready (DR) signals is available. Address and checksum verification must also be done in the receiving MCU.



DuoCeiver™ Simultaneous Two Channel Receive Mode

In both ShockBurst™ & direct modes the nRF2401A can facilitate simultaneous reception of two parallel independent frequency channels at the maximum data rate. This means:

- nRF2401A can receive data from two 1 Mbps transmitters (ex: nRF2401A or nRF2402) 8 MHz (8 frequency channels) apart through one antenna interface.
- The output from the two data channels is fed to two separate MCU interfaces.
 - Data channel 1: CLK1, DATA, and DR1
 - Data channel 2: CLK2, DOUT2, and DR2
 - DR1 and DR2 are available only in ShockBurst™.

The nRF2401A DuoCeiver™ technology provides 2 separate dedicated data channels for RX and replaces the need for two, stand alone receiver systems.

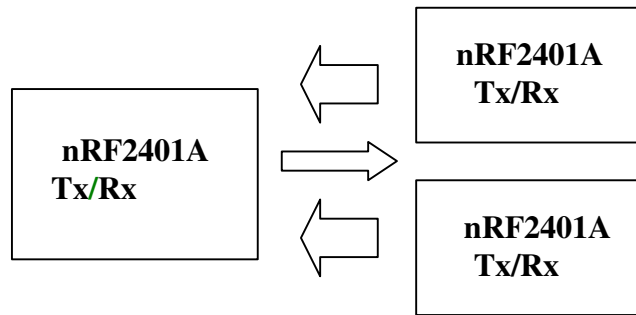


Figure 8 Simultaneous 2 channel receive on nRF2401A

There is one absolute requirement for using the second data channel. For the nRF2401A to be able to receive at the second data channel the frequency channel must be 8MHz higher than the frequency of data channel 1. The nRF2401A must be programmed to receive at the frequency of data channel 1. No time multiplexing is used in nRF2401A to fulfill this function. In direct mode the MCU must be able to handle two simultaneously incoming data packets if it is not multiplexing between the two data channels. In ShockBurst™ it is possible for the MCU to clock out one data channel at a time while data on the other data channel waits for MCU availability, without any lost data packets, and by doing so reduce the needed performance of the MCU.

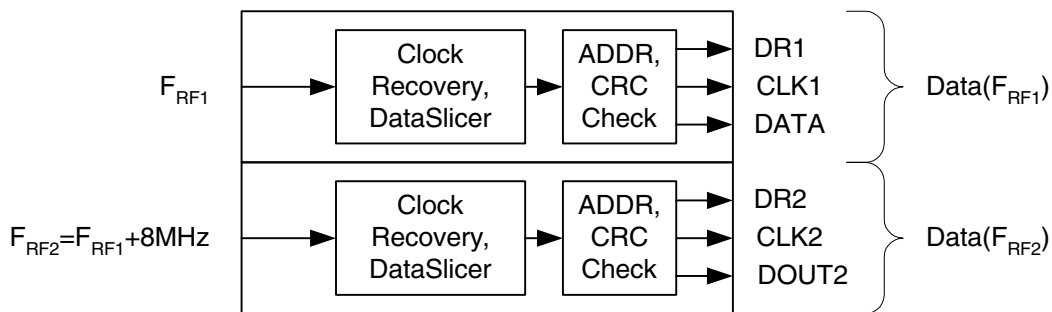


Figure 9 DuoCeiver™ with two simultaneously independent receive channels.



Configuration Mode

In configuration mode a configuration word of up to 15 bytes is downloaded to nRF2401A. This is done through a simple 3-wire interface (CS, CLK1 and DATA). For more information on configuration please refer to the nRF2401A Device configuration chapter on page 17.

Stand-By Mode

Stand by mode is used to minimize average current consumption while maintaining short start up times. In this mode, part of the crystal oscillator is active. Current consumption is dependent on crystal frequency (Ex: 12 μ A @ 4 MHz, 32 μ A @ 16 MHz). The configuration word content is maintained during stand by.

Power Down Mode

In power down the nRF2401A is disabled with minimal current consumption, typically less than 1 μ A. Entering this mode when the device is not active minimizes average current consumption, maximizing battery lifetime. The configuration word content is maintained during power down.

PRODUCT SPECIFICATION



nRF2401A Single Chip 2.4 GHz Radio Transceiver

Pin configuration for the different modes of nRF2401A

| nRF2401A MODES | MODE SWITCHES | | INPUT PINS | | | BIDIR PINS | | | | OUTPUT PINS | | | | | |
|--------------------------------|---------------|------------|------------|----------------|----|------------|------|------------------|-------------|-------------|------|-----------|-----|-----|-------|
| | RXMODE | ShockBurst | PWR_UP | CE | CS | direction | CLK1 | direction | DATA | direction | CLK2 | direction | DR1 | DR2 | DOUT2 |
| Power down | X | X | 0 | X ¹ | 1 | In | X | In | X | In | X | In | 0 | 0 | 0 |
| Power down | 0 | 1 | 0 | X | 0 | X | In | In | X | In | X | In | 0 | 0 | 0 |
| Power down | 1 | 1 | 0 | X | 0 | CLK | In | In | X | In | X | In | 0 | 0 | 0 |
| Stand by | 0 | X | 1 | 0 | 0 | X | In | In | X | In | X | In | 0 | 0 | 0 |
| Stand by | 1 | 0 | 1 | 0 | 0 | X | In | In | X | In | X | In | 0 | 0 | 0 |
| Stand by | 1 | 1 | 1 | 0 | 0 | CLK | In | In ² | DATA | In | In | In | 0 | DR2 | 0 |
| Stand by | 1 | 1 | 1 | 0 | 0 | CLK | In | Out ³ | DATA | In | In | In | 1 | DR2 | 0 |
| Configuration | X | X | 1 | 0 | 1 | In | CLK | In | CONFIG DATA | In | CLK | In | 0 | 0 | 0 |
| TX ShockBurst™ | 0 | 1 | 1 | 1 | 0 | CLK | In | DATA | DATA | In | CLK | In | 0 | 0 | 0 |
| TX Direct | 0 | 0 | 1 | 1 | 0 | X | In | DATA | DATA | X | X | In | 0 | 0 | 0 |
| RX ShockBurst™ in one channel | 1 | 1 | 1 | 1 | 0 | In | CLK | Out | DATA | In | CLK | In | DR1 | 0 | 0 |
| RX ShockBurst™ in two channels | 1 | 1 | 1 | 1 | 0 | CLK | In | Out | DATA | Out | CLK | In | DR1 | DR2 | DATA |
| RX Direct in one channel | 1 | 0 | 1 | 1 | 0 | CLK | Out | DATA | DATA | Out | CLK | Out | 0 | 0 | 0 |
| RX Direct in two channels | 1 | 0 | 1 | 1 | 0 | CLK | Out | DATA | DATA | Out | CLK | Out | 0 | 0 | 0 |

Table 7 Pin configuration of nRF2401A.

1 In = X means the input should be set to either "low" or "high".
 2 Input if DR1 is "low".
 3 Output if DR1 is "high"



DEVICE CONFIGURATION

All configuration of the nRF2401A is done via a 3-wire interface to a single configuration register. The configuration word can be up to 15 bytes long for ShockBurst™ use and up to 2 bytes long for direct mode.

Configuration for ShockBurst™ operation

The configuration word in ShockBurst™ enables the nRF2401A to handle the RF protocol. Once the protocol is completed and loaded into nRF2401A only one byte, bit[7:0], needs to be updated during actual operation.

The configuration blocks dedicated to ShockBurst™ is as follows:

- Payload section width: Specifies the number of payload bits in a RF package. This enables the nRF2401A to distinguish between payload data and the CRC bytes in a received package.
- Address width: Sets the number of bits used for address in the RF package. This enables the nRF2401A to distinguish between address and payload data.
- Address (RX Channel 1 and 2): Destination address for received data.
- CRC: Enables nRF2401A on-chip CRC generation and de-coding.

NOTE:

These configuration blocks, with the exception of the CRC, are dedicated for the packages that a nRF2401A is to receive.

In TX mode, the MCU must generate an address and a payload section that fits the configuration of the nRF2401A that is to receive the data.

When using the nRF2401A on-chip CRC feature ensure that CRC is enabled and uses the same length for both the TX and RX devices.

| | | | |
|-----------|---------|---------|-----|
| PRE-AMBLE | ADDRESS | PAYLOAD | CRC |
|-----------|---------|---------|-----|

Figure 10 Data packet set-up

Configuration for Direct Mode operation

For direct mode operation only the two first bytes (bit[15:0]) of the configuring word are relevant.



Configuration Word overview

| | Bit position | Number of bits | Name | Function |
|-------------------------------------|---------------------|-----------------------|-------------|---|
| ShockBurst™ configuration | 143:120 | 24 | TEST | Reserved for testing |
| | 119:112 | 8 | DATA2_W | Length of data payload section RX channel 2 |
| | 111:104 | 8 | DATA1_W | Length of data payload section RX channel 1 |
| | 103:64 | 40 | ADDR2 | Up to 5 byte address for RX channel 2 |
| | 63:24 | 40 | ADDR1 | Up to 5 byte address for RX channel 1 |
| | 23:18 | 6 | ADDR_W | Number of address bits (both RX channels). |
| | 17 | 1 | CRC_L | 8 or 16 bit CRC |
| | 16 | 1 | CRC_EN | Enable on-chip CRC generation/checking. |
| General device configuration | 15 | 1 | RX2_EN | Enable two channel receive mode |
| | 14 | 1 | CM | Communication mode (Direct or ShockBurst™) |
| | 13 | 1 | RFDR_SB | RF data rate (1Mbps requires 16MHz crystal) |
| | 12:10 | 3 | XO_F | Crystal frequency |
| | 9:8 | 2 | RF_PWR | RF output power |
| | 7:1 | 7 | RF_CH# | Frequency channel |
| | 0 | 1 | RXEN | RX or TX operation |

Table 8 Table of configuration words.

The configuration word is shifted in MSB first on positive CLK1 edges. New configuration is enabled on the falling edge of CS.

NOTE.

On the falling edge of CS, the nRF2401A updates the number of bits actually shifted in during the last configuration.

Ex:

If the nRF2401A is to be configured for 2 channel RX in ShockBurst™, a total of 120 bits must be shifted in during the first configuration after VDD is applied.

Once the wanted protocol, modus and RF channel are set, only one bit (RXEN) is shifted in to switch between RX and TX.



nRF2401A Single Chip 2.4 GHz Radio Transceiver

Configuration Word Detailed Description

The following describes the function of the 144 bits (bit 143 = MSB) that is used to configure the nRF2401A.

General Device Configuration: bit[15:0]

ShockBurst™ Configuration: bit[119:16]

Test Configuration: bit[143:120]

| | | | | | | | | |
|----------------------|------|------|------|------|------|------|------|---------|
| MSB | TEST | | | | | | | |
| D143 | D142 | D141 | D140 | D139 | D138 | D137 | D136 | |
| Reserved for testing | | | | | | | | |
| 1 | 0 | 0 | 0 | 1 | 1 | 1 | 0 | Default |

| | | | | | | | | | | | | | | | | |
|----------------------|------|------|------|------|------|------|------|------|------|------|------|------|------|------|-----------------|---------|
| MSB | TEST | | | | | | | | | | | | | | | |
| D135 | D134 | D133 | D132 | D131 | D130 | D129 | D128 | D127 | D126 | D125 | D124 | D123 | D122 | D121 | D120 | |
| Reserved for testing | | | | | | | | | | | | | | | Close PLL in TX | |
| 0 | 0 | 0 | 0 | 1 | 0 | 0 | 0 | 0 | 0 | 0 | 1 | 1 | 1 | 0 | 0 | Default |

| | | | | | | | | |
|--|------|------|------|------|------|------|------|---------|
| DATA2_W | | | | | | | | |
| D119 | D118 | D117 | D116 | D115 | D114 | D113 | D112 | |
| Data width channel#2 in # of bits excluding addr/crc | | | | | | | | |
| 0 | 0 | 1 | 0 | 0 | 0 | 0 | 0 | Default |

| | | | | | | | | |
|--|------|------|------|------|------|------|------|---------|
| DATA1_W | | | | | | | | |
| D111 | D110 | D109 | D108 | D107 | D106 | D105 | D104 | |
| Data width channel#1 in # of bits excluding addr/crc | | | | | | | | |
| 0 | 0 | 1 | 0 | 0 | 0 | 0 | 0 | Default |

| | | | | | | | | | | | | |
|------------------------------------|------|------|------|-----|-----|-----|-----|-----|-----|-----|-----|---------|
| ADDR2 | | | | | | | | | | | | |
| D103 | D102 | D101 | | D71 | D70 | D69 | D68 | D67 | D66 | D65 | D64 | |
| Channel#2 Address RX (up to 40bit) | | | | | | | | | | | | |
| 0 | 0 | 0 | ... | 1 | 1 | 1 | 0 | 0 | 1 | 1 | 1 | Default |

| | | | | | | | | | | | | |
|------------------------------------|-----|-----|------|-----|-----|-----|-----|-----|-----|-----|-----|---------|
| ADDR1 | | | | | | | | | | | | |
| D63 | D62 | D61 | | D31 | D30 | D29 | D28 | D27 | D26 | D25 | D24 | |
| Channel#1 Address RX (up to 40bit) | | | | | | | | | | | | |
| 0 | 0 | 0 | ... | 1 | 1 | 1 | 0 | 0 | 1 | 1 | 1 | Default |

| | | | | | | |
|--|-----|-----|-----|-----|-----|---------|
| ADDR_W | | | | | | |
| D23 | D22 | D21 | D20 | D19 | D18 | |
| Address width in # of bits (both channels) | | | | | | |
| 0 | 0 | 1 | 0 | 0 | 0 | Default |

| | | |
|------------------------------|-----------------------------|---------|
| CRC | | |
| D17 | D16 | |
| CRC Mode 1 = 16bit, 0 = 8bit | CRC 1 = enable; 0 = disable | |
| 0 | 1 | Default |

| | | | | | | | | | | | | | | | | |
|----------------|-----|-----|--------------|-----|-----|----------|----|-------------------|----|----|----|----|----|-----|------|---------|
| RF-Programming | | | | | | | | | | | | | | LSB | | |
| D15 | D14 | D13 | D12 | D11 | D10 | D9 | D8 | D7 | D6 | D5 | D4 | D3 | D2 | D1 | D0 | |
| Two Ch. | BUF | OD | XO Frequency | | | RF Power | | Channel selection | | | | | | | RXEN | |
| 0 | 0 | 0 | 0 | 1 | 1 | 1 | 1 | 0 | 0 | 0 | 0 | 0 | 1 | 0 | 0 | Default |

Table 9 Configuration data word

The MSB bit should be loaded first into the configuration register.

Default configuration word: h8E08.1C20.2000.0000.00E7.0000.0000.E721.0F04.



ShockBurst™ configuration:

The section bit[119:16] contains the segments of the configuration register dedicated to ShockBurst™ operational protocol. After VDD is turned on ShockBurst™ configuration is done once and remains set whilst VDD is present. During operation only the first byte for frequency channel and RX/TX switching need to be changed.

PLL_CTRL

| PLL_CTRL | | |
|----------|------|---------------------|
| D121 | D120 | PLL |
| 0 | 0 | Open TX/Closed RX |
| 0 | 1 | Open TX/Open RX |
| 1 | 0 | Closed TX/Closed RX |
| 1 | 1 | Closed TX/Open RX |

Table 10 PLL setting.

Bit 121-120:

PLL_CTRL: Controls the setting of the PLL for test purposes. With closed PLL in TX no deviation will be present. For normal operational mode these two bits must both be low.

DATAx_W

| DATA2_W | | | | | | | |
|---------|-----|-----|-----|-----|-----|-----|-----|
| 119 | 118 | 117 | 116 | 115 | 114 | 113 | 112 |
| | | | | | | | |

| DATA1_W | | | | | | | |
|---------|-----|-----|-----|-----|-----|-----|-----|
| 111 | 110 | 109 | 108 | 107 | 106 | 105 | 104 |
| | | | | | | | |

Table 11 Number of bits in payload.

Bit 119 – 112:

DATA2_W: Length of RF package payload section for receive-channel 2.

Bit 111 – 104:

DATA1_W: Length of RF package payload section for receive-channel 1.

NOTE:

The total number of bits in a ShockBurst™ RF package may not exceed 256! Maximum length of payload section is hence given by:

$$DATAx_W(bits) = 256 - ADDR_W - CRC$$

Where:

ADDR_W: length of RX address set in configuration word B[23:18]

CRC: check sum, 8 or 16 bits set in configuration word B[17]

PRE: preamble, 8 bits are automatically included

Shorter address and CRC leaves more room for payload data in each package.



ADDRx

| ADDR2 | | | | | | | | | | | |
|-------|-----|-----|------|----|----|----|----|----|----|----|----|
| 103 | 102 | 101 | | 71 | 70 | 69 | 68 | 67 | 66 | 65 | 64 |

| ADDR1 | | | | | | | | | | | |
|-------|----|----|------|----|----|----|----|----|----|----|----|
| 63 | 62 | 61 | | 31 | 30 | 29 | 28 | 27 | 26 | 25 | 24 |

Table 12 Address of receiver #2 and receiver #1.

Bit 103 – 64:

ADDR2: Receiver address channel 2, up to 40 bit.

Bit 63 – 24: ADDR1

ADDR1: Receiver address channel 1, up to 40 bit.

NOTE!

Bits in ADDR_x exceeding the address width set in ADDR_W are redundant and can be set to logic 0.

ADDR_W & CRC

| ADDR_W | | | | | | CRC_L | CRC_EN |
|--------|----|----|----|----|----|-------|--------|
| 23 | 22 | 21 | 20 | 19 | 18 | 17 | 16 |

Table 13 Number of bits reserved for RX address + CRC setting.

Bit 23 – 18:

ADDR_W: Number of bits reserved for RX address in ShockBurst™ packages.

NOTE:

Maximum number of address bits is 40 (5 bytes). Values over 40 in ADDR_W are not valid.

Bit 17:

CRC_L: CRC length to be calculated by nRF2401A in ShockBurst™.
 Logic 0: 8 bit CRC
 Logic 1: 16 bit CRC

Bit: 16:

CRC_EN: Enables on-chip CRC generation (TX) and verification (RX).
 Logic 0: On-chip CRC generation/checking disabled
 Logic 1: On-chip CRC generation/checking enabled

NOTE:

An 8 bit CRC will increase the number of payload bits possible in each ShockBurst™ data packet, but will also reduce the system integrity.



General device configuration:

This section of the configuration word handles RF and device related parameters.

Modes:

| RX2_EN | CM | RFDR_SB | XO_F | | | RF_PWR | |
|--------|----|---------|------|----|----|--------|---|
| 15 | 14 | 13 | 12 | 11 | 10 | 9 | 8 |

Table 14 RF operational settings.

Bit 15:

RX2_EN:

Logic 0: One channel receive

Logic 1: Two channels receive

NOTE:

In two channels receive, the nRF2401A receives on two, separate frequency channels simultaneously. The frequency of receive channel 1 is set in the configuration word bit[7-1], receive channel 2 is always 8 channels (8 MHz) above receive channel 1.

Bit 14:

Communication Mode:

Logic 0: nRF2401A operates in direct mode.

Logic 1: nRF2401A operates in ShockBurst™ mode

Bit 13:

RF Data Rate:

Logic 0: 250 kbps

Logic 1: 1 Mbps

NOTE:

Utilizing 250 kbps instead of 1Mbps will improve the receiver sensitivity by 10 dB. 1Mbps requires 16MHz crystal.

Bit 12-10:

XO_F: Selects the nRF2401A crystal frequency to be used:

| XO FREQUENCY SELECTION | | | |
|------------------------|-----|-----|-------------------------|
| D12 | D11 | D10 | Crystal Frequency [MHz] |
| 0 | 0 | 0 | 4 |
| 0 | 0 | 1 | 8 |
| 0 | 1 | 0 | 12 |
| 0 | 1 | 1 | 16 |
| 1 | 0 | 0 | 20 |

Table 15 Crystal frequency setting.



Bit 9-8:

RF_PWR: Sets nRF2401A RF output power in transmit mode:

| RF OUTPUT POWER | | |
|-----------------|----|---------|
| D9 | D8 | P [dBm] |
| 0 | 0 | -20 |
| 0 | 1 | -10 |
| 1 | 0 | -5 |
| 1 | 1 | 0 |

Table 16 RF output power setting.

RF channel & direction

| RF_CH# | | | | | | | RXEN |
|--------|---|---|---|---|---|---|------|
| 7 | 6 | 5 | 4 | 3 | 2 | 1 | 0 |

Table 17 Frequency channel and RX / TX setting.

Bit 7 – 1:

RF_CH#: Sets the frequency channel the nRF2401A operates on.

The channel frequency in *transmit* is given by:

$$Channel_{RF} = 2400 \text{ MHz} + RF_CH\# \cdot 1.0 \text{ MHz}$$

RF_CH #: between 2400MHz and 2527MHz may be set.

The channel frequency in *data channel 1* is given by:

$$Channel_{RF} = 2400 \text{ MHz} + RF_CH\# \cdot 1.0 \text{ MHz} \text{ (Receive at PIN\#8)}$$

RF_CH #: between 2400MHz and 2524MHz may be set.

NOTE:

The channels above 83 can only be utilized in certain territories (ex: Japan)

The channel frequency in *data channel 2* is given by:

$$Channel_{RF} = 2400 \text{ MHz} + RF_CH\# \cdot 1.0 \text{ MHz} + 8\text{MHz} \text{ (Receive at PIN\#4)}$$

RF_CH #: between 2408MHz and 2524MHz may be set.

Bit 0:

Set active mode:

Logic 0: transmit mode

Logic 1: receive mode



DATA PACKAGE DESCRIPTION

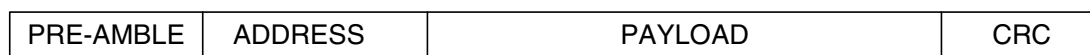


Figure 11 Data Package Diagram

The data packet for both ShockBurst™ mode and direct mode communication is divided into 4 sections. These are:

| | | | | | | | |
|---------------------------|---|----------|--------------------------|----------|---|----------|---|
| <p>1. PREAMBLE</p> | <ul style="list-style-type: none"> The preamble field is required in ShockBurst™ and Direct modes. Preamble is 8 bits in length and is dependent of the first data bit in direct mode. <table border="0"> <tr> <td>PREAMBLE</td> <td>1st ADDR-BIT</td> </tr> <tr> <td>01010101</td> <td>0</td> </tr> <tr> <td>10101010</td> <td>1</td> </tr> </table> <ul style="list-style-type: none"> Preamble is automatically added to the data packet in ShockBurst™ and thereby gives extra space for payload. In Direct mode MCU must handle preamble. <p>In ShockBurst™ mode RX, the preamble is removed from the received output data, in direct mode the preamble is transparent to the output data.</p> | PREAMBLE | 1 st ADDR-BIT | 01010101 | 0 | 10101010 | 1 |
| PREAMBLE | 1 st ADDR-BIT | | | | | | |
| 01010101 | 0 | | | | | | |
| 10101010 | 1 | | | | | | |
| <p>2 ADDRESS</p> | <ul style="list-style-type: none"> The address field is required in ShockBurst™ mode.¹ 8 to 40 bits length. Address automatically removed from received packet in ShockBurst™ mode. In Direct mode MCU must handle address. | | | | | | |
| <p>3 PAYLOAD</p> | <ul style="list-style-type: none"> The data to be transmitted In ShockBurst™ mode payload size is 256 bits minus the following: (Address: 8 to 40 bits. + CRC 8 or 16 bits). In Direct mode the maximum packet size (length) is for 1Mbps 4000 bits (4ms). | | | | | | |
| <p>4 CRC</p> | <ul style="list-style-type: none"> The CRC is optional in ShockBurst™ mode, and is not used in Direct mode. 8 or 16 bits length The CRC is removed from the received output data in ShockBurst™ RX. | | | | | | |

Table 18 Data package description

¹ Suggestions for the use of addresses in ShockBurst™: In general more bits in the address gives less false detection, which in the end may give lower data packet loss.

- A. The address made by (5, 4, 3, or 2) equal bytes are not recommended because it in general will make the packet-error-rate increase.
- B. Addresses where the level shift only one time (i.e. 000FFFFFFF) could often be detected in noise that may give a false detection, which again may give raised packet-error-rate.

Direct mode will be dependent on the software used in the MCU, but it is recommended to have the same restrictions on addresses for this mode.



IMPORTANT TIMING DATA

The following timing applies for operation of nRF2401A.

nRF2401A Timing Information

| nRF2401A timing | Max. | Min. | Name |
|------------------------------------|-------|-------------|-----------|
| PWR_DWN → Configuration mode | 3ms | | Tpd2cfgm |
| PWR_DWN → Active mode (RX/TX) | 3ms | | Tpd2a |
| ST_BY → TX ShockBurst™ | 195μs | | Tsby2txSB |
| ST_BY → TX Direct Mode | 202μs | | Tsby2txDM |
| ST_BY → RX mode | 202μs | | Tsby2rx |
| Minimum delay from CS to data. | | 5μs | Tcs2data |
| Minimum delay from CE to data. | | 5μs | Tce2data |
| Minimum delay from DR1/2 to clk. | | 50ns | Tdr2clk |
| Maximum delay from clk to data. | 50ns | | Tclk2data |
| Delay between edges | | 50ns | Td |
| Setup time | | 500ns | Ts |
| Hold time | | 500ns | Th |
| Delay to finish internal GFSK data | | 1/data rate | Tfd |
| Minimum input clock high | | 500ns | Thmin |
| Set-up of data in Direct Mode | 50ns | | Tsdm |
| Minimum clock high in Direct Mode | | 300ns | Thdm |
| Minimum clock low in Direct Mode | | 230ns | Tldm |
| Time on air, TX Direct mode | 4ms | | ToaDM |

Table 19 Operational timing of nRF2401A

When the nRF2401A is in power down it must always settle in stand by for 3ms before it can enter configuration or one of the active modes.

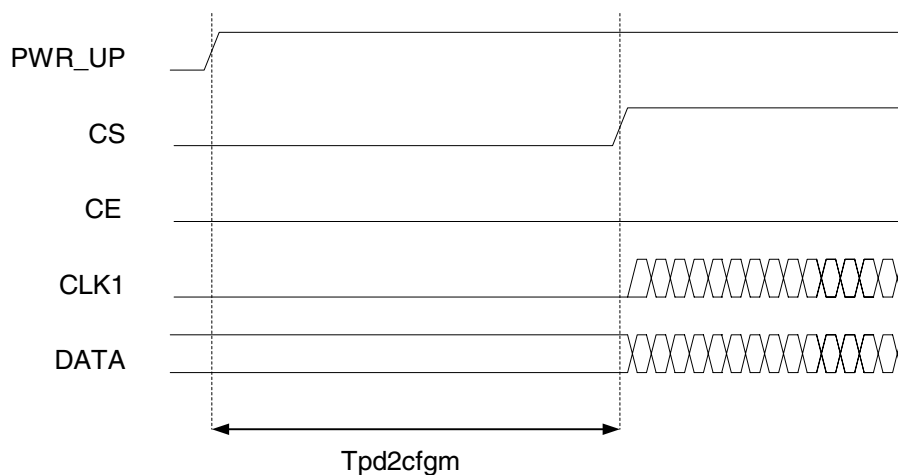


Figure 12 Timing diagram for power down (or VDD off) to configuration mode for nRF2401A.

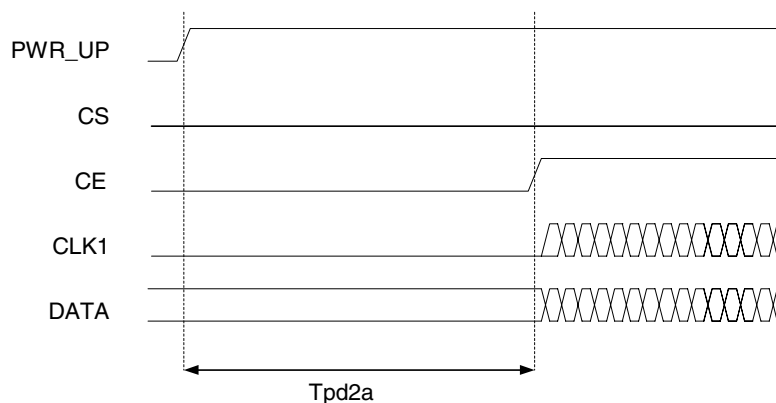


Figure 13 Power down (or VDD off) to active mode

Note that the configuration word will be lost when VDD is turned off and that the device then must be configured before going to one of the active modes. If the device is configured one can go directly from power down to the wanted active mode.

Note:

CE and CS may not be high at the same time. Setting one or the other decides whether configuration or active mode is entered.



Configuration mode timing

When one or more of the bits in the configuration word needs to be changed the following timing apply.

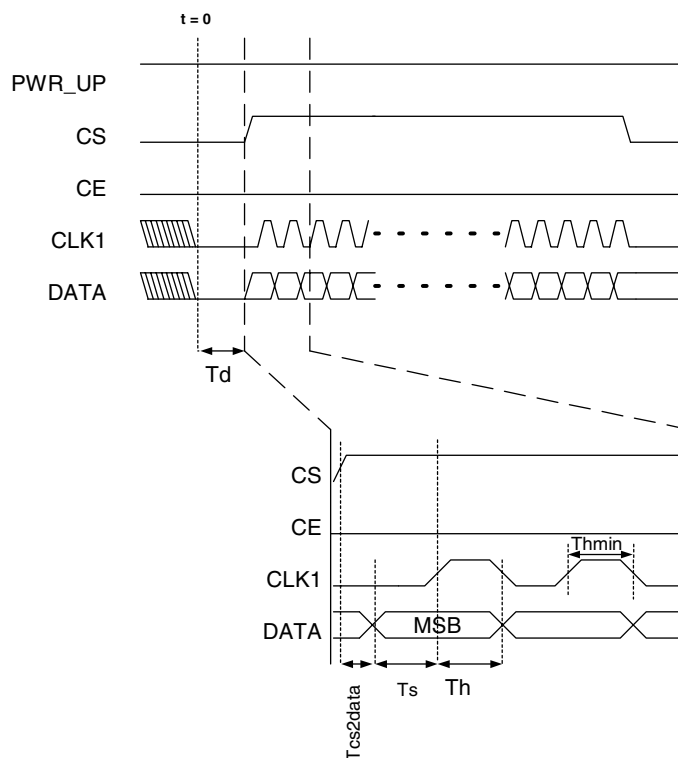


Figure 14 Timing diagram for configuration of nRF2401A

If configuration mode is entered from power down, CS can be set high after T_{pd2sby} as shown in Figure 12.



ShockBurst™ Mode timing

ShockBurst™ TX:

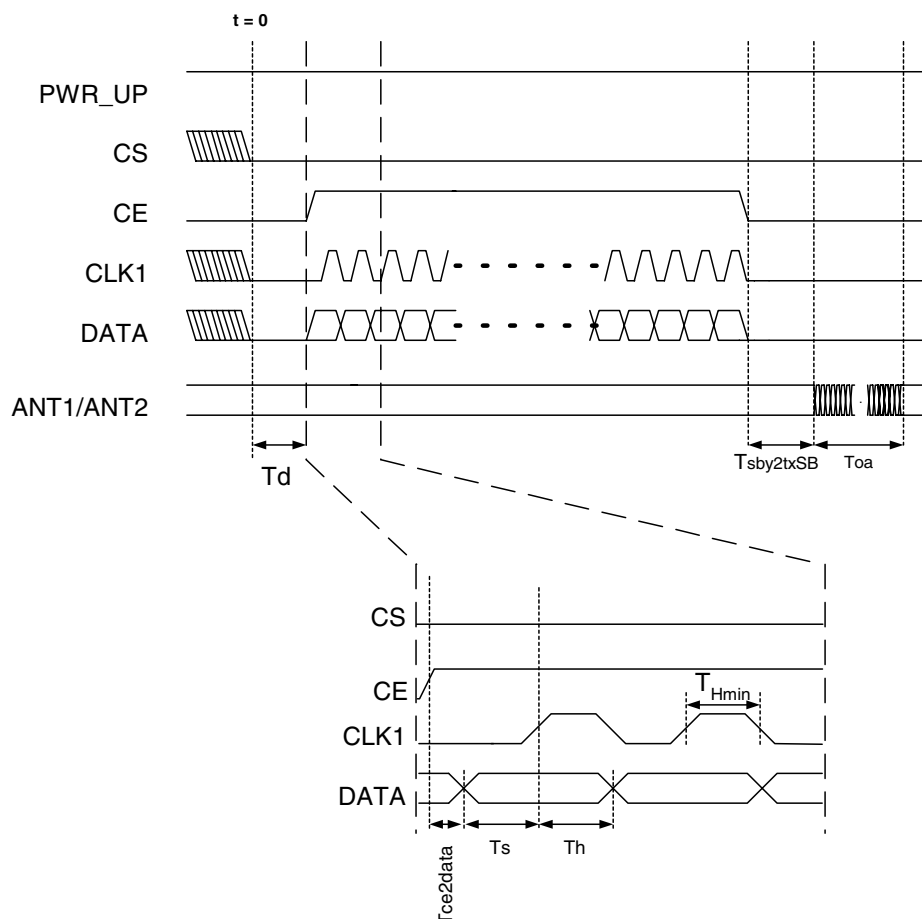


Figure 15 Timing of ShockBurst™ in TX

The package length and the data rate give the delay T_{OA} (time on air), as shown in the equation.

$$T_{OA} = 1 / \text{datarate} \cdot (\# \text{ databits} + 1)$$



ShockBurst™ RX:

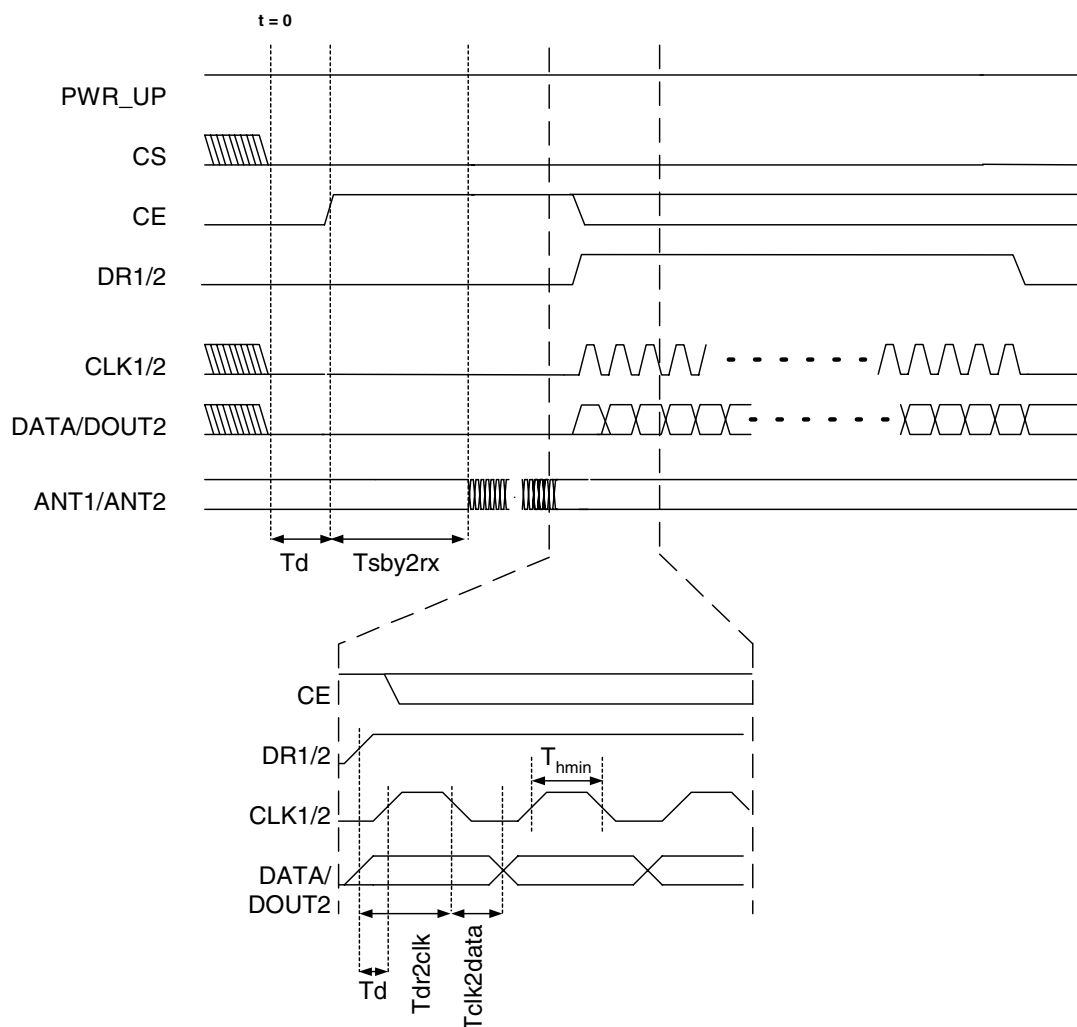


Figure 16 Timing of ShockBurst™ in RX

The CE may be kept high during downloading of data, but the cost is higher current consumption (18mA) and the benefit is short start-up time (200µs) when DR1 goes low.



Direct Mode

Direct Mode TX:

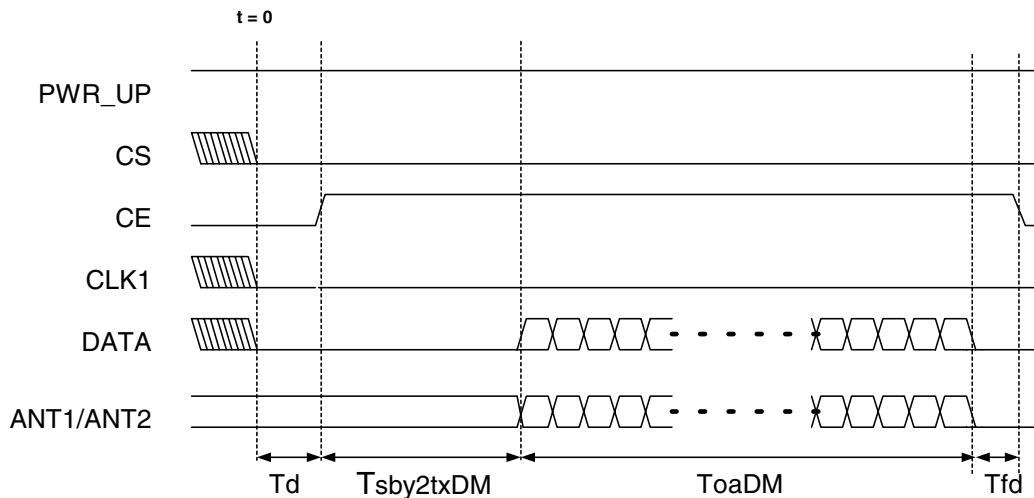


Figure 17 Timing of direct mode TX

In TX direct mode the input data will be sampled by nRF2401A and therefore no clock is needed. The clock must be stable at low level during transmission due to noise considerations. The exact delay $T_{sby2txDM}$ is given by the equation:

$$T_{sby2txDM} = 194\mu s + 1 / F_{XO} \cdot 14 + 2.25\mu s$$

The maximum length of a package (T_{oaDM}) over all voltages and temperatures is 4ms. This is limited by frequency drift in the transmitter and is independent of data rate and frequency channel.



Direct Mode RX:

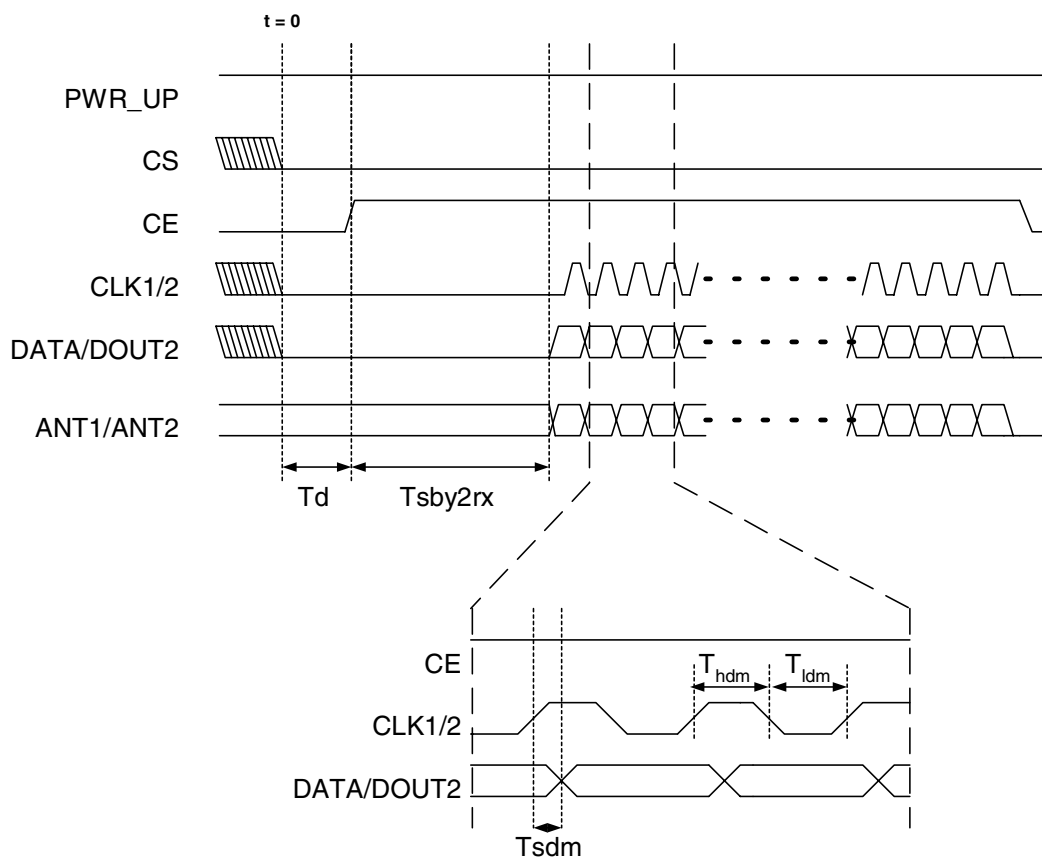


Figure 18 Timing of direct mode RX

T_{sby2rx} describes the delay from the positive edge of CE to start detection of (demodulating) incoming data.



PERIPHERAL RF INFORMATION

Antenna output

The ANT1 & ANT2 output pins provide a balanced RF output to the antenna. The pins must have a DC path to VDD, either via a RF choke or via the center point in a dipole antenna. The load impedance seen between the ANT1/ANT2 outputs should be in the range 200-700Ω. A load of 100Ω+j175Ω is recommended for maximum output power (0dBm). Lower load impedance (for instance 50 Ω) can be obtained by fitting a simple matching network.

Output Power adjustment

| Power setting bits of configuring word | RF output power | DC current consumption |
|--|-----------------|------------------------|
| 11 | 0 dBm ±3dB | 13.0 mA |
| 10 | -5 dBm ±3dB | 10.5 mA |
| 01 | -10 dBm ±3dB | 9.4 mA |
| 00 | -20 dBm ±3dB | 8.8 mA |

Conditions: VDD = 3.0V, VSS = 0V, T_A = 27°C, Load impedance = 100Ω+j175Ω.

Table 20 RF output power setting for the nRF2401A.

Crystal Specification

Tolerance includes initially accuracy and tolerance over temperature and aging.

| Frequency | C _L | ESR | C _{0max} | Tolerance |
|-----------|----------------|-------|-------------------|-----------|
| 4 | 12pF | 150 Ω | 7.0pF | ±30ppm |
| 8 | 12pF | 100 Ω | 7.0pF | ±30ppm |
| 12 | 12pF | 100 Ω | 7.0pF | ±30ppm |
| 16 | 12pF | 100 Ω | 7.0pF | ±30ppm |
| 20 | 12pF | 100 Ω | 7.0pF | ±30ppm |

Table 21 Crystal specification of the nRF2401A

To achieve a crystal oscillator solution with low power consumption and fast start-up time, it is recommended to specify the crystal with a low value of crystal load capacitance. Specifying C_L=12pF is OK, but it is possible to use up to 16pF. Specifying a lower value of crystal parallel equivalent capacitance, C₀ will also work, but this can increase the price of the crystal itself. Typically C₀=1.5pF at a crystal specified for C_{0max}=7.0pF.



Sharing crystal with micro controller.

When using a micro controller to drive the crystal reference input XC1 of the nRF2401A transceiver some rules must be followed.

Crystal parameters:

When the micro controller drives the nRF2401A clock input, the requirement of load capacitance C_L is set by the micro controller only. The frequency accuracy of 30 ppm is still required to get a functional radio link. The nRF2401A will load the crystal by 0.5pF at XC1 in addition to the PBC routing.

Input crystal amplitude & Current consumption

The input signal should not have amplitudes exceeding any rail voltage, but any DC-voltage within this is OK. Exceeding rail voltage will excite the ESD structure and the radio performance is degraded below specification. If testing the nRF2401A with a RF source with no DC offset as the reference source, the input signal will go below the ground level, which is not acceptable.

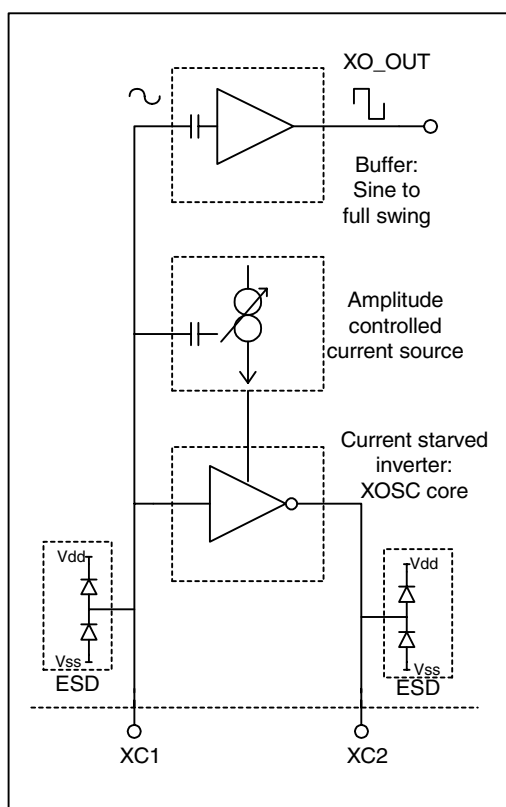


Figure 19 Principle of crystal oscillator

It is recommended to use a DC-block before the XC1 pin so that the internal ESD structures will self bias the XC1 voltage.

The nRF2401A crystal oscillator is amplitude regulated. To achieve low current consumption and also good signal-to-noise ratio, it is recommended to use an input signal larger than 0.4 V-peak. The needed input swing is independent of the crystal



frequency. When clocking the nRF2401A externally, XC2 is not used and can be left as an open pin.

Frequency Reference MCU

In direct mode there is a requirement on the accuracy of the data rate. For the receiver to detect the incoming data and recover the clock, the data rate must be within ± 200 ppm, given that the data is "random", i.e. there is a statistical calculation on how often a preamble like sequence is present in the data. The clock is synchronized for any preamble detection, be it a dedicated preamble or part of the data stream.

PCB layout and de-coupling guidelines

A well-designed PCB is necessary to achieve good RF performance. Keep in mind that a poor layout may lead to loss of performance, or even functionality, if due care is not taken. A fully qualified RF-layout for the nRF2401A and its surrounding components, including matching networks, can be downloaded from **www.nordicsemi.no**.

A PCB with a minimum of two layers including a ground plane is recommended for optimum performance. The nRF2401A DC supply voltage should be de-coupled as close as possible to the VDD pins with high performance RF capacitors, see Table 22. It is preferable to mount a large surface mount capacitor (e.g. 4.7 μ F tantalum) in parallel with the smaller value capacitors. The nRF2401A supply voltage should be filtered and routed separately from the supply voltages of any digital circuitry.

Long power supply lines on the PCB should be avoided. All device grounds, VDD connections and VDD bypass capacitors must be connected as close as possible to the nRF2401A IC. For a PCB with a topside RF ground plane, the VSS pins should be connected directly to the ground plane. For a PCB with a bottom ground plane, the best technique is to have via holes as close as possible to the VSS pads. One via hole should be used for each VSS pin.

Full swing digital data or control signals should not be routed close to the crystal or the power supply lines.



Reflow information

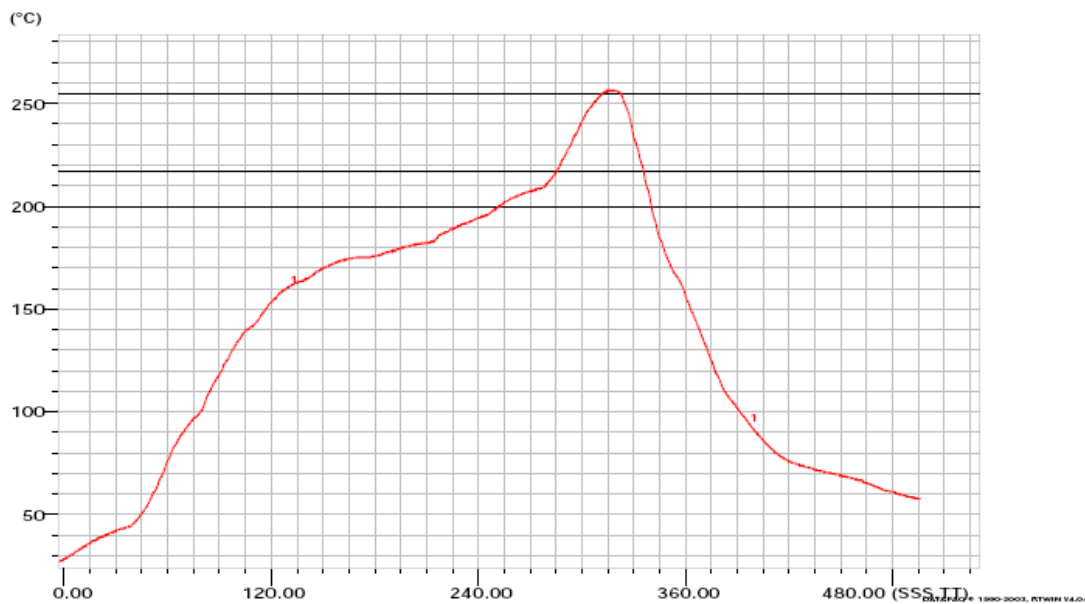


Figure 20 Soldering reflow profile, GREEN

| | |
|----------------------|-----------|
| Ramp rate (RT-150°C) | 1.38 °C/s |
| Pre-heat (150-200°C) | 134 s |
| Dwell @217°C | 50 s |
| Dwell @245°C | 10 s |
| Ramp up | 1.42 °C/s |
| Ramp down | 2.59 °C/s |
| Peak temperature | 257 °C |
| Time from RT to PT | 320 s |



APPLICATION EXAMPLE

nRF2401A with single ended matching network

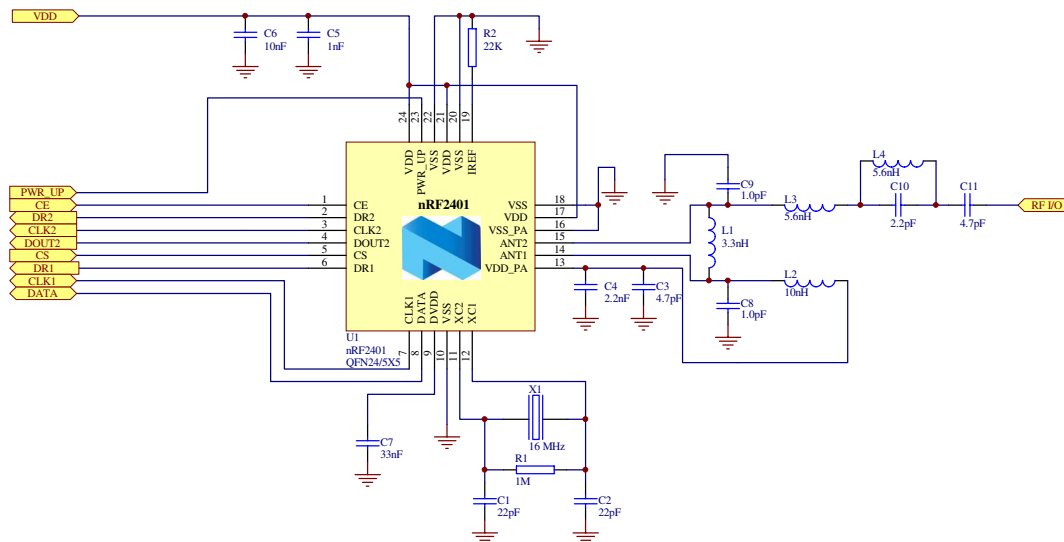


Figure 21 nRF2401A schematic for RF layouts with single end 50Ω antenna

| Component | Description | Size | Value | Toleranc e | Units |
|-----------|--------------------------------------|------------------------|------------------|---------------|-------|
| C1 | Capacitor ceramic, 50V, NPO | 0603 | 22 | ±5% | pF |
| C2 | Capacitor ceramic, 50V, NPO | 0603 | 22 | ±5% | pF |
| C3 | Capacitor ceramic, 50V, NPO | 0603 | 4.7 | ±5% | pF |
| C4 | Capacitor ceramic, 50V, X7R | 0603 | 2.2 | ±10% | nF |
| C5 | Capacitor ceramic, 50V, X7R | 0603 | 1.0 | ±10% | nF |
| C6 | Capacitor ceramic, 50V, X7R | 0603 | 10 | ±10% | nF |
| C7 | Capacitor ceramic, 50V, X7R | 0603 | 33 | ±10% | nF |
| R1 | Resistor | 0603 | 1.0 | ±1% | MΩ |
| R2 | Resistor | 0603 | 22 | ±1% | kΩ |
| U1 | nRF2401A transceiver | QFN24 / 5x5 | nRF2401A | | |
| X1 | Crystal, CL = 12pF, ESR < 100 ohm | LxWxH = 4.0x2.5x0.8 | 16 ¹⁾ | +/- 30 ppm | MHz |
| L1 | Inductor, wire wound ²⁾ | 0603 | 3.3 | ± 5% | nH |
| L2 | Inductor, wire wound ²⁾ | 0603 | 10 | ± 5% | nH |
| L3 | Inductor, wire wound ²⁾ | 0603 | 5.6 | ± 5% | nH |
| L4 | Inductor, wire wound ²⁾ | 0603 | 5.6 | ± 5% | nH |
| C8 | Ceramic capacitor, 50V, NPO | 0603 | 1.0 | ± 0.1 pF | pF |
| C9 | Ceramic capacitor, 50V, NPO | 0603 | 1.0 | ± 0.1 pF | pF |
| C10 | Ceramic capacitor, 50V, NPO | 0603 | 2.2 | ± 0.25 pF | pF |
| C11 | Ceramic capacitor, 50V, NPO | 0603 | 4.7 | ± 0.25 pF | pF |

Table 22 Recommended components (BOM) in nRF2401A with antenna matching network

¹⁾ nRF2401A can operate at several crystal frequencies, please refer to page 31.

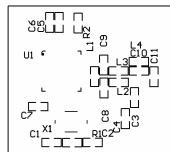
²⁾ Wire wound inductors are recommended, other can be used if their self-resonant frequency (SFR) is > 2.7 GHz



PCB layout example

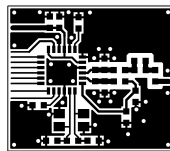
Figure 22 shows a PCB layout example for the application schematic in Figure 21.

A double-sided FR-4 board of 1.6mm thickness is used. This PCB has a ground plane on the bottom layer. Additionally, there are ground areas on the component side of the board to ensure sufficient grounding of critical components. A large number of via holes connect the top layer ground areas to the bottom layer ground plane.

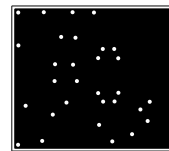


No components in bottom layer

Top silk screen



Top view



Bottom view

Figure 22 nRF2401A RF layout with single ended connection to 50Ω antenna and 0603 size passive components



DEFINITIONS

| | |
|---|--|
| Data sheet status | |
| Objective product specification | This data sheet contains target specifications for product development. |
| Preliminary product specification | This data sheet contains preliminary data; supplementary data may be published from Nordic Semiconductor ASA later. |
| Product specification | This data sheet contains final product specifications. Nordic Semiconductor ASA reserves the right to make changes at any time without notice in order to improve design and supply the best possible product. |
| Limiting values | |
| Stress above one or more of the limiting values may cause permanent damage to the device. These are stress ratings only and operation of the device at these or at any other conditions above those given in the Specifications sections of the specification is not implied. Exposure to limiting values for extended periods may affect device reliability. | |
| Application information | |
| Where application information is given, it is advisory and does not form part of the specification. | |

Table 23. Definitions

Nordic Semiconductor ASA reserves the right to make changes without further notice to the product to improve reliability, function or design. Nordic Semiconductor ASA does not assume any liability arising out of the application or use of any product or circuits described herein.

LIFE SUPPORT APPLICATIONS

These products are not designed for use in life support appliances, devices, or systems where malfunction of these products can reasonably be expected to result in personal injury. Nordic Semiconductor ASA customers using or selling these products for use in such applications do so at their own risk and agree to fully indemnify Nordic Semiconductor ASA for any damages resulting from such improper use or sale.

Product Specification: Revision Date: 17.03.2006.

Data sheet order code: 170306-nRF2401A

All rights reserved ®. Reproduction in whole or in part is prohibited without the prior written permission of the copyright holder.



YOUR NOTES



Nordic Semiconductor ASA – World Wide Distributors

For Your nearest dealer, please see <http://www.nordicsemi.no>



Main Office:

Vestre Rosten 81, N-7075 Tiller, Norway
Phone: +47 72 89 89 00, Fax: +47 72 89 89 89

Visit the Nordic Semiconductor ASA website at <http://www.nordicsemi.no>



Компания «Life Electronics» занимается поставками электронных компонентов импортного и отечественного производства от производителей и со складов крупных дистрибьюторов Европы, Америки и Азии.

С конца 2013 года компания активно расширяет линейку поставок компонентов по направлению коаксиальный кабель, кварцевые генераторы и конденсаторы (керамические, пленочные, электролитические), за счёт заключения дистрибьюторских договоров

Мы предлагаем:

- Конкурентоспособные цены и скидки постоянным клиентам.
- Специальные условия для постоянных клиентов.
- Подбор аналогов.
- Поставку компонентов в любых объемах, удовлетворяющих вашим потребностям.
- Приемлемые сроки поставки, возможна ускоренная поставка.
- Доставку товара в любую точку России и стран СНГ.
- Комплексную поставку.
- Работу по проектам и поставку образцов.
- Формирование склада под заказчика.
- Сертификаты соответствия на поставляемую продукцию (по желанию клиента).
- Тестирование поставляемой продукции.
- Поставку компонентов, требующих военную и космическую приемку.
- Входной контроль качества.
- Наличие сертификата ISO.

В составе нашей компании организован Конструкторский отдел, призванный помогать разработчикам, и инженерам.

Конструкторский отдел помогает осуществить:

- Регистрацию проекта у производителя компонентов.
- Техническую поддержку проекта.
- Защиту от снятия компонента с производства.
- Оценку стоимости проекта по компонентам.
- Изготовление тестовой платы монтаж и пусконаладочные работы.



Тел: +7 (812) 336 43 04 (многоканальный)

Email: org@lifeelectronics.ru