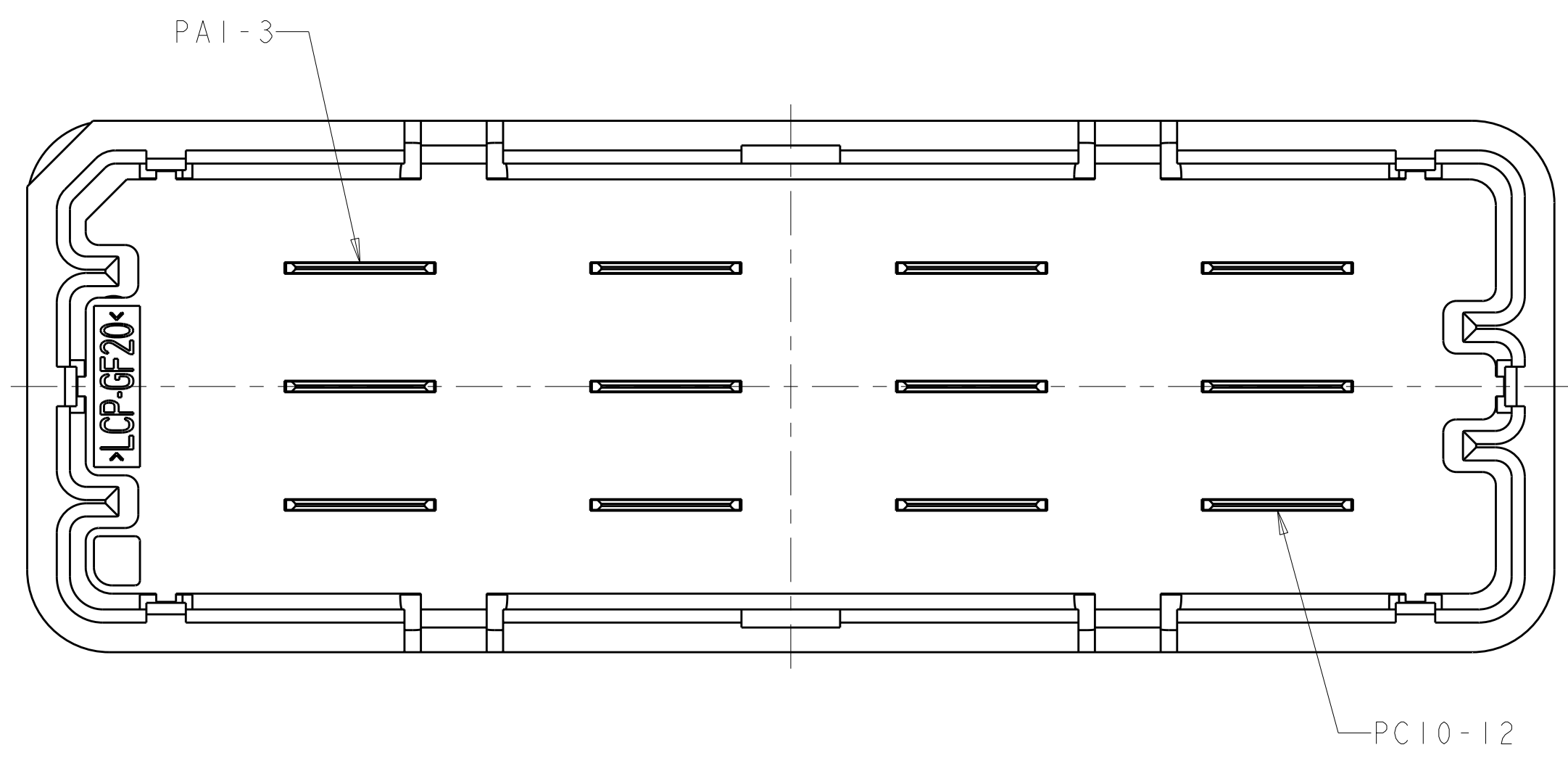
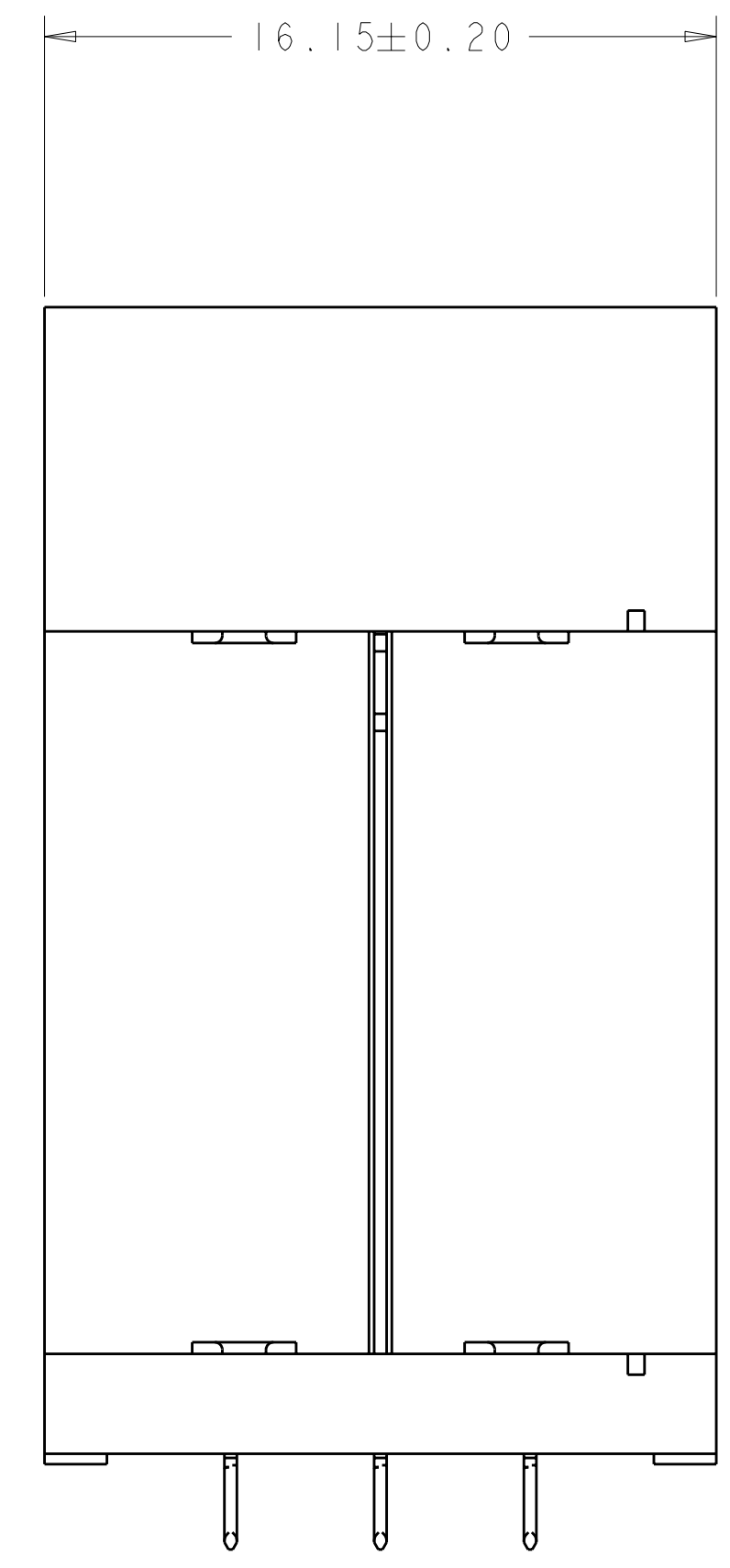
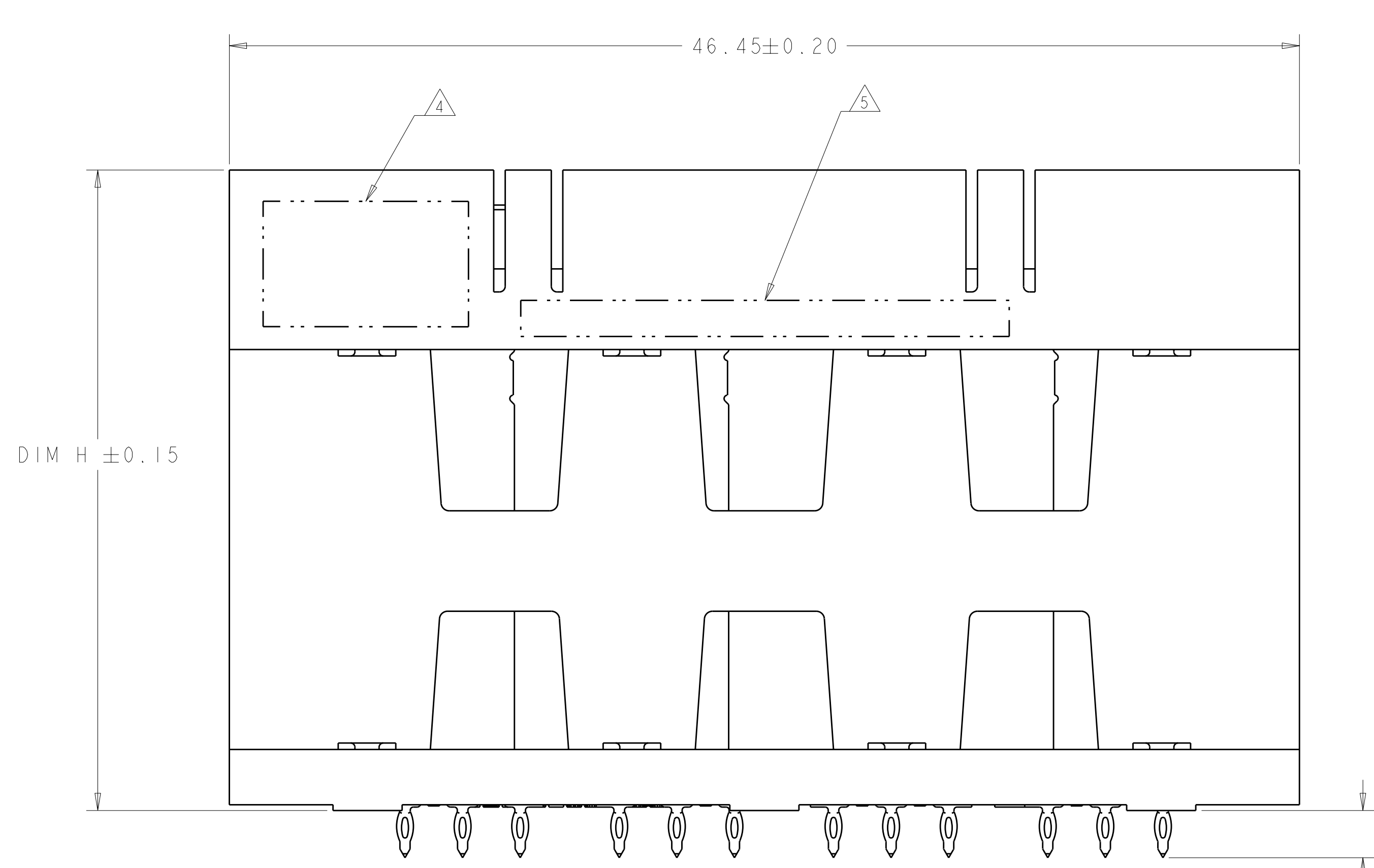


LOC	DIST	REVISIONS			
GP	00	REV	DATE	BY	CHK
		2	13DEC2010	WS	MH
		3	14MAY2012	REH	DT



- △ MATERIAL:  
 BASE HOUSING, UPPER HOUSING, ORGANIZER,  
 AND SPACER: THERMOPLASTIC, FLAMMABILITY  
 RATING UL94 V-0  
 CONTACT: COPPER ALLOY
- 2. CONFORMS TO THE REQUIREMENTS OF TE PRODUCT  
 SPECIFICATION, 108-2375; BASED ON TELCORDIA  
 GR-1217-CORE FOR SYSTEM QUALITY LEVEL III,  
 APPLICATIONS IN CONTROLLED ENVIRONMENTS  
 (CENTRAL OFFICE).  
 SEE TE PRODUCT SPECIFICATION 108-2375 FOR  
 TEST SEQUENCES.
- △ SPECIFIED POSITIONAL TOLERANCE DEFINES HOLE TO  
 HOLE LOCATION WITHIN HOLE PATTERN. POSITIONAL  
 TOLERANCE OF HOLE PATTERN TO FIDUCIAL MARKS  
 OR PCB DATUMS SHALL BE DEFINED BY CUSTOMER.
- △ AREA RESERVED FOR TE CONNECTIVITY LOGO.
- △ AREA RESERVED FOR PART NUMBER (X-XXXXXX-X) AND  
 DATE CODE (YYWW).
- △ USE CENTER LINES INDICATED ON PCB HOLE PATTERN  
 TO ESTABLISH ALIGNMENT BETWEEN HEADER AND  
 RECEPTACLE BOARDS.
- △ PLATED THROUGH HOLE REQUIREMENTS:  
 HOLE SIZE PRIOR TO PLATING =  $\varnothing 0.700 \pm 0.025$   
 COPPER PLATING THICKNESS =  $0.038 \pm 0.013$   
 CALCULATED FINISHED HOLE SIZE =  $\varnothing 0.624 \pm 0.051$   
 THESE DIMENSIONS APPLY TO THE TOP 1.50mm OF  
 THE PCB THICKNESS FROM THE CONNECTOR MOUNTING  
 SIDE.
- △ CONTACT SALES FOR AVAILABILITY OF THIS STACK  
 HEIGHT.



**SIZE 2 HALF-WIDE \*  
 12 POWER CONTACTS**

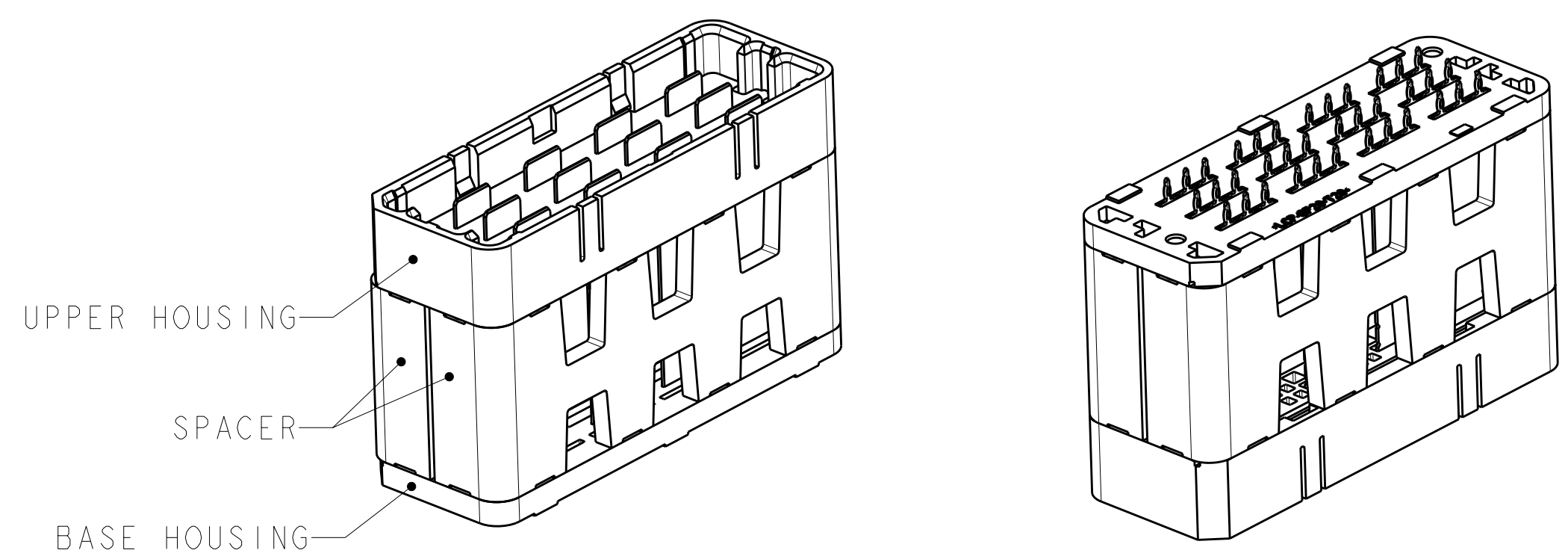
\* SIZE 1 AND SIZE 3 ARE ALSO AVAILABLE

(2.05)  
 36X

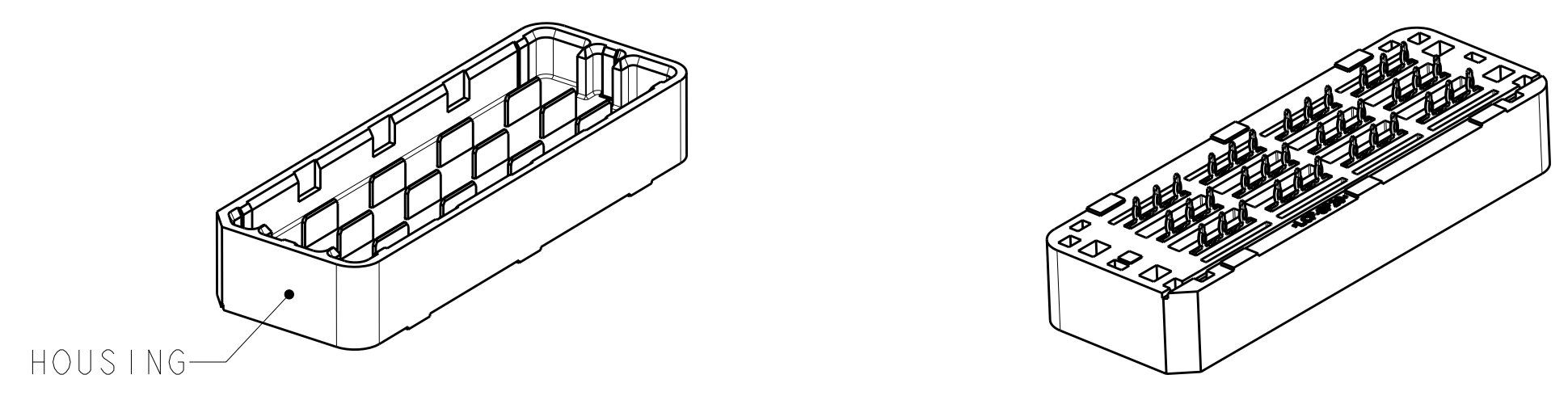
THIS PRODUCT HAS NOT  
 COMPLETED VALIDATION AND  
 QUALIFICATION TESTING

THIS DRAWING IS A CONTROLLED DOCUMENT.		DWN HAMMER 26OCT2010	TE Connectivity														
DIMENSIONS: mm		CHK D. TROUT 27OCT2010															
TOLERANCES UNLESS OTHERWISE SPECIFIED:		APVD J. FEDDER 27OCT2010	NAME HEADER ASSEMBLY, HALF-WIDE, 12P, STRADA MESA MEZZANINE CONNECTOR														
<table border="1"> <tr><td>0 PLC</td><td>±</td></tr> <tr><td>1 PLC</td><td>±</td></tr> <tr><td>2 PLC</td><td>±0.13</td></tr> <tr><td>3 PLC</td><td>±0.013</td></tr> <tr><td>4 PLC</td><td>±</td></tr> <tr><td>ANGLES</td><td>±</td></tr> <tr><td>FINISH</td><td>#1</td></tr> </table>		0 PLC	±	1 PLC	±	2 PLC	±0.13	3 PLC	±0.013	4 PLC	±	ANGLES	±	FINISH	#1	PRODUCT SPEC 108-2375	SIZE A100779
0 PLC	±																
1 PLC	±																
2 PLC	±0.13																
3 PLC	±0.013																
4 PLC	±																
ANGLES	±																
FINISH	#1																
MATERIAL		APPLICATION SPEC 114-13249	DRAWING NO C=2149530														
		WEIGHT	RESTRICTED TO														
		CUSTOMER DRAWING	SCALE 6:1 SHEET 1 OF 4 REV 3														

LOC	DIST	REV	DATE	BY	APPD
GP	00				
DESCRIPTION			DATE	BY	APPD
SEE SHEET 1					



ISOMETRIC VIEW  
 TYPICAL CONFIGURATION FOR 14mm THRU 42mm  
 28mm SHOWN  
 SCALE 2:1



ISOMETRIC VIEWS  
 TYPICAL CONFIGURATION FOR 8mm THRU 13mm  
 8mm SHOWN  
 SCALE 2:1

△	41.8	42mm	MATTE Sn	9-2149530-2
△	40.8	41mm	MATTE Sn	9-2149530-1
△	39.8	40mm	MATTE Sn	9-2149530-0
△	38.8	39mm	MATTE Sn	8-2149530-9
△	37.8	38mm	MATTE Sn	8-2149530-8
YES	36.8	37mm	MATTE Sn	8-2149530-7
△	35.8	36mm	MATTE Sn	8-2149530-6
△	34.8	35mm	MATTE Sn	8-2149530-5
△	33.8	34mm	MATTE Sn	8-2149530-4
△	32.8	33mm	MATTE Sn	8-2149530-3
△	31.8	32mm	MATTE Sn	8-2149530-2
△	30.8	31mm	MATTE Sn	8-2149530-1
△	29.8	30mm	MATTE Sn	8-2149530-0
△	28.8	29mm	MATTE Sn	7-2149530-9
△	27.8	28mm	MATTE Sn	7-2149530-8
△	26.8	27mm	MATTE Sn	7-2149530-7
△	25.8	26mm	MATTE Sn	7-2149530-6
△	24.8	25mm	MATTE Sn	7-2149530-5
△	23.8	24mm	MATTE Sn	7-2149530-4
△	22.8	23mm	MATTE Sn	7-2149530-3
YES	21.8	22mm	MATTE Sn	7-2149530-2
△	20.8	21mm	MATTE Sn	7-2149530-1
△	19.8	20mm	MATTE Sn	7-2149530-0
△	18.8	19mm	MATTE Sn	6-2149530-9
△	17.8	18mm	MATTE Sn	6-2149530-8
△	16.8	17mm	MATTE Sn	6-2149530-7
△	15.8	16mm	MATTE Sn	6-2149530-6
△	14.8	15mm	MATTE Sn	6-2149530-5
△	13.8	14mm	MATTE Sn	6-2149530-4
△	12.8	13mm	MATTE Sn	6-2149530-3
△	11.8	12mm	MATTE Sn	6-2149530-2
△	10.8	11mm	MATTE Sn	6-2149530-1
△	9.8	10mm	MATTE Sn	6-2149530-0
△	8.8	9mm	MATTE Sn	5-2149530-9
△	7.8	8mm	MATTE Sn	5-2149530-8
TOOLED	DIM H	STACK HEIGHT	CONTACT TAIL PLATING	PART NUMBER

△	41.8	42mm	Sn/Pb	4-2149530-2
△	40.8	41mm	Sn/Pb	4-2149530-1
△	39.8	40mm	Sn/Pb	4-2149530-0
△	38.8	39mm	Sn/Pb	3-2149530-9
△	37.8	38mm	Sn/Pb	3-2149530-8
YES	36.8	37mm	Sn/Pb	3-2149530-7
△	35.8	36mm	Sn/Pb	3-2149530-6
△	34.8	35mm	Sn/Pb	3-2149530-5
△	33.8	34mm	Sn/Pb	3-2149530-4
△	32.8	33mm	Sn/Pb	3-2149530-3
△	31.8	32mm	Sn/Pb	3-2149530-2
△	30.8	31mm	Sn/Pb	3-2149530-1
△	29.8	30mm	Sn/Pb	3-2149530-0
△	28.8	29mm	Sn/Pb	2-2149530-9
△	27.8	28mm	Sn/Pb	2-2149530-8
△	26.8	27mm	Sn/Pb	2-2149530-7
△	25.8	26mm	Sn/Pb	2-2149530-6
△	24.8	25mm	Sn/Pb	2-2149530-5
△	23.8	24mm	Sn/Pb	2-2149530-4
△	22.8	23mm	Sn/Pb	2-2149530-3
YES	21.8	22mm	Sn/Pb	2-2149530-2
△	20.8	21mm	Sn/Pb	2-2149530-1
△	19.8	20mm	Sn/Pb	2-2149530-0
△	18.8	19mm	Sn/Pb	1-2149530-9
△	17.8	18mm	Sn/Pb	1-2149530-8
△	16.8	17mm	Sn/Pb	1-2149530-7
△	15.8	16mm	Sn/Pb	1-2149530-6
△	14.8	15mm	Sn/Pb	1-2149530-5
△	13.8	14mm	Sn/Pb	1-2149530-4
△	12.8	13mm	Sn/Pb	1-2149530-3
△	11.8	12mm	Sn/Pb	1-2149530-2
△	10.8	11mm	Sn/Pb	1-2149530-1
△	9.8	10mm	Sn/Pb	1-2149530-0
△	8.8	9mm	Sn/Pb	2149530-9
△	7.8	8mm	Sn/Pb	2149530-8
TOOLED	DIM H	STACK HEIGHT	CONTACT TAIL PLATING	PART NUMBER

THIS DRAWING IS A CONTROLLED DOCUMENT.

DIMENSIONS: mm  
 TOLERANCES UNLESS OTHERWISE SPECIFIED:  
 9 PLC ±  
 1 PLC ±0.13  
 5 PLC ±0.013  
 4 PLC ±  
 ANGLES ±  
 FINISH #1

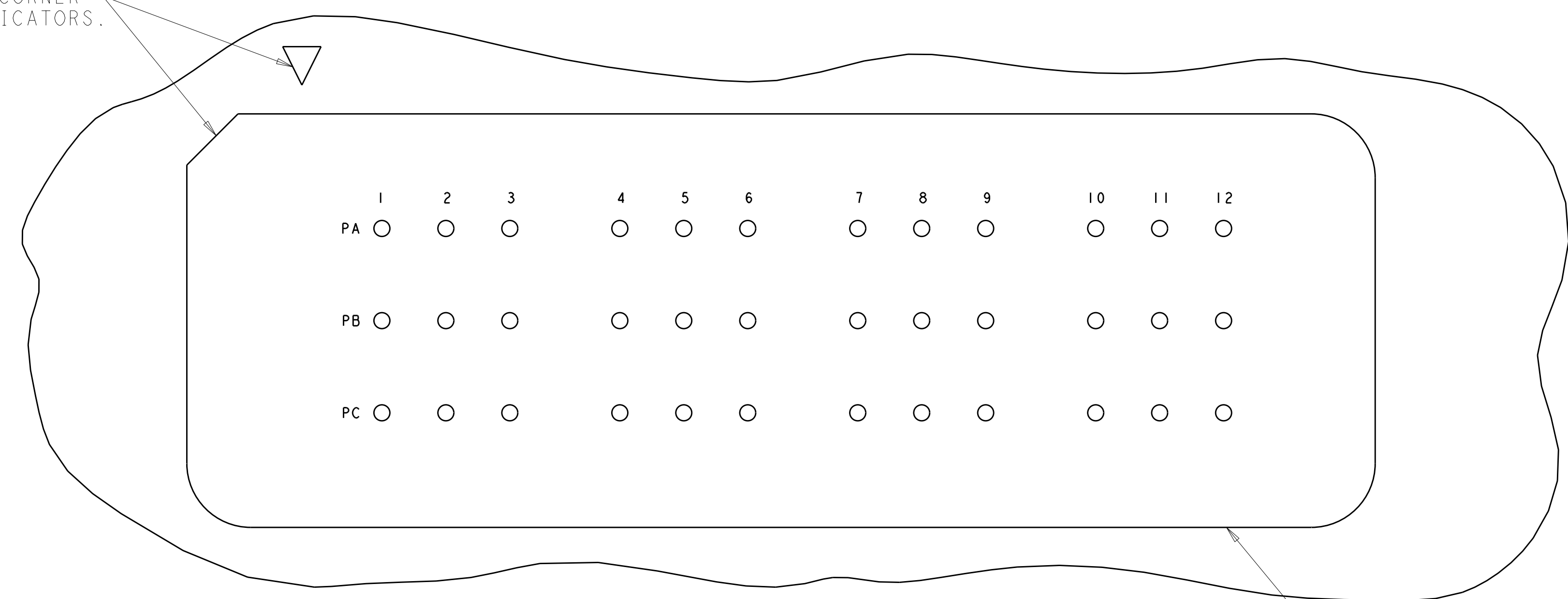
DWG: HAMNER 26OCT2010  
 CHK: D. TROUT 27OCT2010  
 APVD: J. FEDDER 27OCT2010

NAME: HEADER ASSEMBLY, HALF-WIDE, 12P, STRADA MESA MEZZANINE CONNECTOR  
 PRODUCT SPEC: 108-2375  
 APPLICATION SPEC: 114-13249  
 WEIGHT: -  
 CUSTOMER DRAWING

SIZE: A100779C=2149530  
 SCALE: 6:1 SHEET 2 OF 4 REV 3


LOC	DIST	REVISIONS			
P	LTG	DESCRIPTION	DATE	DWN	APVD
GP	00	SEE SHEET 1	-	-	-

A1 CORNER INDICATORS.

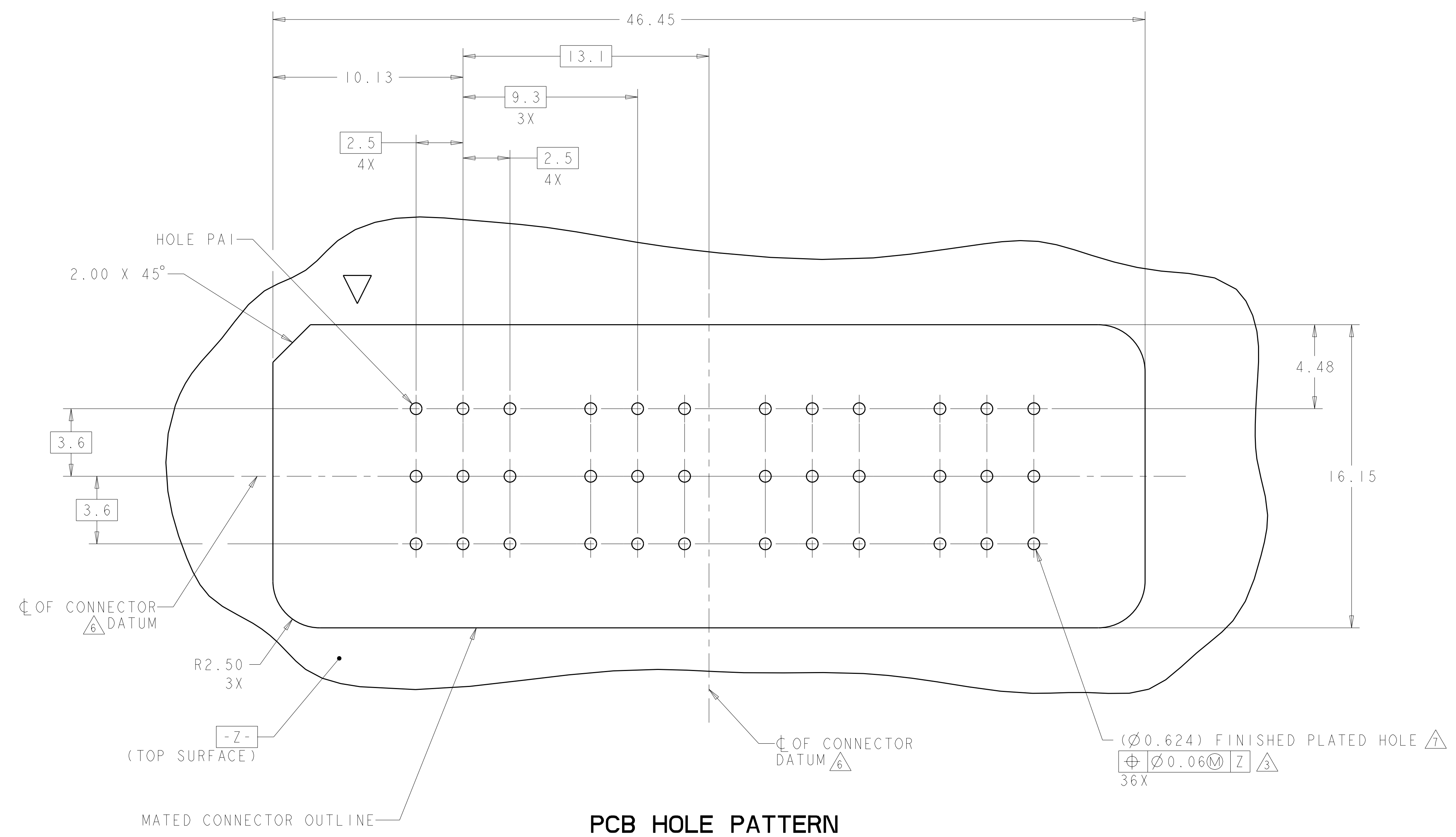


MATED CONNECTOR OUTLINE  
SEE SHEET 4 FOR LOCATION TO HOLES

**PCB LAYOUT AND PIN IDENTIFICATION**  
 SHOWN FROM CONNECTOR SIDE  
 SCALE 7:1

THIS DRAWING IS A CONTROLLED DOCUMENT.		DWN HAMNER 26OCT2010	 TE Connectivity
DIMENSIONS: mm		CHK D. TROUT 27OCT2010	
TOLERANCES UNLESS OTHERWISE SPECIFIED:		APVD FEDDER 27OCT2010	NAME HEADER ASSEMBLY, HALF-WIDE, 12P, STRADA MESA MEZZANINE CONNECTOR
0 PLC ±	1 PLC ±	PRODUCT SPEC 108-2375	SIZE CAGE CODE DRAWING NO A100779C=2149530
2 PLC ±0.13	3 PLC ±0.013	APPLICATION SPEC 114-13249	RESTRICTED TO
4 PLC ±	ANGLES ±1	WEIGHT	
MATERIAL	FINISH	CUSTOMER DRAWING	SCALE 6:1 SHEET 3 OF 4 REV 3

LOC	DIST	REVISIONS			
GP	00	REV	DATE	BY	APPD
		-	SEE SHEET 1	-	-



**PCB HOLE PATTERN**  
 SHOWN FROM CONNECTOR SIDE  
 SCALE 7:1

THIS DRAWING IS A CONTROLLED DOCUMENT.		DWN HAMNER	26OCT2010		TE Connectivity
DIMENSIONS: mm		CHK D. TROUT	27OCT2010		NAME
TOLERANCES UNLESS OTHERWISE SPECIFIED: Ø PLC ± PLC ±0.13 PLC ±0.013 ANGLES ±1°		APVD FEDEER	27OCT2010	PRODUCT SPEC	108-2375
MATERIAL		SIZE	CAGE CODE	DRAWING NO	RESTRICTED TO
FINISH		114-13249	114-13249	A100779C=2149530	
CUSTOMER DRAWING		SCALE	6:1	SHEET	4 OF 4
		REV	3		

Компания «Life Electronics» занимается поставками электронных компонентов импортного и отечественного производства от производителей и со складов крупных дистрибьюторов Европы, Америки и Азии.

С конца 2013 года компания активно расширяет линейку поставок компонентов по направлению коаксиальный кабель, кварцевые генераторы и конденсаторы (керамические, пленочные, электролитические), за счёт заключения дистрибьюторских договоров

Мы предлагаем:

- Конкурентоспособные цены и скидки постоянным клиентам.
- Специальные условия для постоянных клиентов.
- Подбор аналогов.
- Поставку компонентов в любых объемах, удовлетворяющих вашим потребностям.
- Приемлемые сроки поставки, возможна ускоренная поставка.
- Доставку товара в любую точку России и стран СНГ.
- Комплексную поставку.
- Работу по проектам и поставку образцов.
- Формирование склада под заказчика.
- Сертификаты соответствия на поставляемую продукцию (по желанию клиента).
- Тестирование поставляемой продукции.
- Поставку компонентов, требующих военную и космическую приемку.
- Входной контроль качества.
- Наличие сертификата ISO.

В составе нашей компании организован Конструкторский отдел, призванный помогать разработчикам, и инженерам.

Конструкторский отдел помогает осуществить:

- Регистрацию проекта у производителя компонентов.
- Техническую поддержку проекта.
- Защиту от снятия компонента с производства.
- Оценку стоимости проекта по компонентам.
- Изготовление тестовой платы монтаж и пусконаладочные работы.



Тел: +7 (812) 336 43 04 (многоканальный)

Email: [org@lifeelectronics.ru](mailto:org@lifeelectronics.ru)