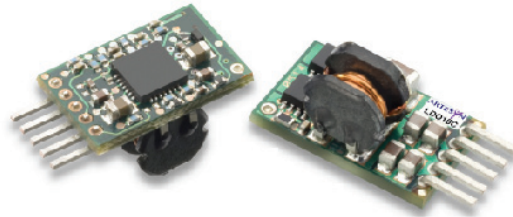


LDO10C Series

50 Watts C-Class Non-Isolated

Total Power: 50 Watts
Input Voltage: 3 - 13.8 Vdc
No. of Outputs: Single



Special Features

- 10 A current rating
- Adjustable output voltage: 0.59 - 5.1 V
- Excellent transient response
- Power enable (5 pin model)
- Minimum airflow
- Small package
- Termination voltage capability
- RoHS compliant

Electrical Specifications

Output

Output voltage	See Note 5	0.59 - 5.1 V
Output setpoint accuracy	0.1% trim resistors	± 1.0%
Line regulation	Low line to high line	± 0.2%
Load regulation	Full load to min. load	± 0.5%
Min./max. load		0 A/10 A
Overshoot	At turn-on	0.5% max.
Undershoot	At turn-off	100 mV max.
Ripple and noise 5 Hz to 20 MHz	See Note 1	20 mV Vin = 5 V, Vout = 2.5 V
Transient response	See Notes 1, 2	130 mV max. deviation 15 µs recovery to within regulation band

Input

Input voltage range		3 - 13.8 Vdc
Input current	Minimum load Remote OFF	50 mA 5 mA
Input current (max.)	See Note 3	10 A @ Io max.
Start-up time	Power up Remote ON/OFF	3 ms 2 ms

Safety

UL, cUL CAN/CSA 22.2
No. E139421
TÜV Product Service (EN60950)
Certificate No. TBD
CB Report and
Certificate to IEC60950

General		
Efficiency (high input)	Vin=5 V, Vo=2.5 V, Io=10 A	91% typical
Switching frequency	Fixed	620 kHz
Approvals and standards (pending)		EN60950 UL/cUL6950
Material flammability		UL94V-0
Weight		1.899 g (0.067 oz.)
MTBF	12 V @ 40 °C, 100% load Bellcore 332	> 8,220,210 hours
Coplanarity	Surface mount models	150 μm

Environmental Specifications

Thermal performance See Note 5	Operating ambient, temperature	-40 °C to +85 °C
	Non-operating	-40 °C to +125 °C

Protection	
Short-circuit	Hiccup, non-latching

Recommended System Capacitance		
Input	See Note 6	0 μF
Output	See Note 7	0 μF

Ordering Information									
Output Power (Max.)	Input Voltage	OVP	Output Voltage	Output Current (Min.)	Output Current (Max.)	Efficiency (Typical)	Regulation Line	Regulation Load	Model Number ^(3,5)
50 W	3 - 13.8 Vdc	N/A	0.59 - 5.1 V	0 A	10 A	94%	± 0.2%	± 0.5%	LDO10C-005W05-VJ
50 W	3 - 13.8 Vdc	N/A	0.59 - 5.1 V	0 A	10 A	94%	± 0.2%	± 0.5%	LDO10C-005W05-HJ
50 W	3 - 13.8 Vdc	N/A	0.59 - 5.1 V	0 A	10 A	94%	± 0.2%	± 0.5%	LDO10C-005W05-SJ

Part Number System with Options

Product Family	Rated Output Current	Performance	Input Voltage	Number of Pins and Type of Output	Output Voltage	Mounting Option	RoHS Compliance ⁽⁸⁾
LDO	10	C	00	5W	05	V	J
Product Family LDO = C-Class LDO Series	Rated Output Current 10 = 10 Amp	Performance C = Cost Optimized	Input Voltage 00 = 3 - 13.8 V	Number of Pins and Type of Output 5W = 5 Pins and Wide Output	Output Voltage 05 = 0.59-5.1 V	Mounting Option V = Vertical H = Horizontal S = Surface	RoHS Compliance J = Pb free (RoHS 6/6 compliant) Y = non PB-free (TSE 5/6 compliant)

Output Voltage Adjustment of the LDO03C Series

The ultra-wide output voltage trim range offers major advantages to users who select the LDO010C series. It is no longer necessary to purchase a variety of modules in order to cover different output voltages. The output voltage can be trimmed in a range of 0.59 - 5.1 Vdc. When the LDO03C converter leaves the factory, the output has been adjusted to the default voltage of 0.59 V.

Notes:

- 1 Measured as per recommended system capacitance. See Application Note 186.
- 2 $di/dt = 10 \text{ A}/\mu\text{s}$, $V_{in} = \text{Nom}$, $T_c = 25 \text{ }^\circ\text{C}$, load change = 0.50 lo to full lo and full lo to 0.50.
- 3 External input fusing is recommended.
- 4 Additional part numbers may be available with different output voltages.
- 5 Airflow dependent, 100 LFM minimum required.
- 6 No capacitors needed for ripple current capability.
- 7 No capacitors needed for stability.
- 8 NOTICE: the input voltage must be greater than the programmed output voltage. the max duty cycle is 95%. These non-isolated dc-dc modules are buck converters.

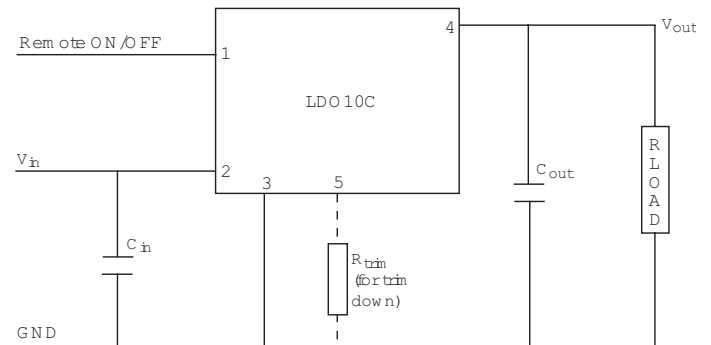


Figure 1: Standard Application Drawing

Mechanical Drawings

Vertical Mount

Dimensions in inches (mm). Tolerances (unless otherwise specified) 2 Places ± 0.030 (± 0.76) 3 Places ± 0.010 (± 0.25)

Pin Assignments

Pin No.	Function
1.	Enable
2.	Vin
3.	Common/RTN
4.	Vout
5.	Trim

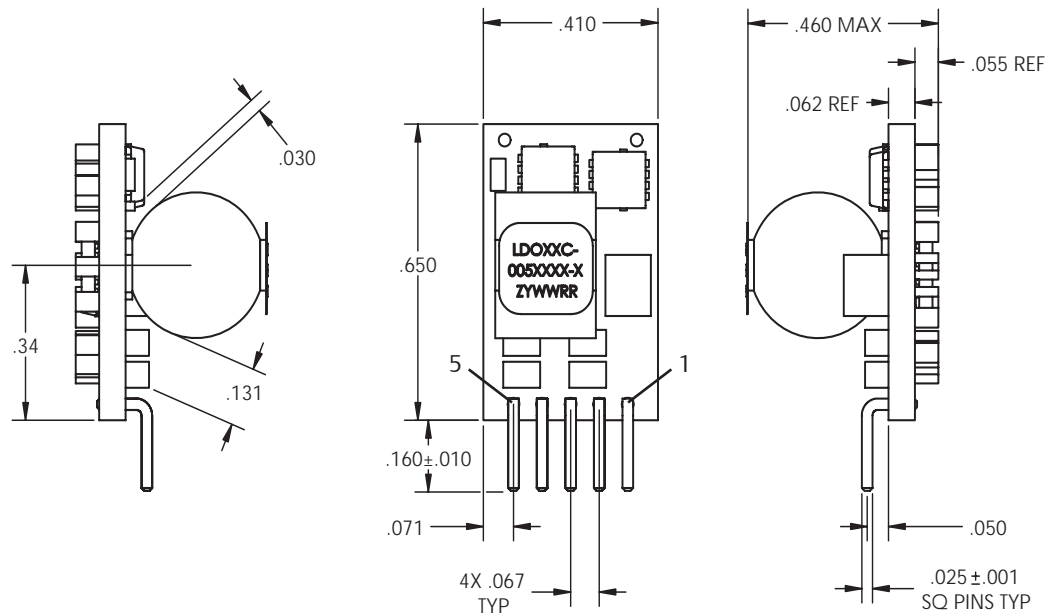


Figure 2: Vertical Mount Mechanical Drawing

Horizontal Mount

Dimensions in inches (mm). Tolerances (unless otherwise specified) 2 Places ± 0.030 (± 0.76) 3 Places ± 0.010 (± 0.25)

Pin Assignments

Pin No.	Function
1.	Enable
2.	Vin
3.	Common/RTN
4.	Vout
5.	Trim
6.	Mech Pin

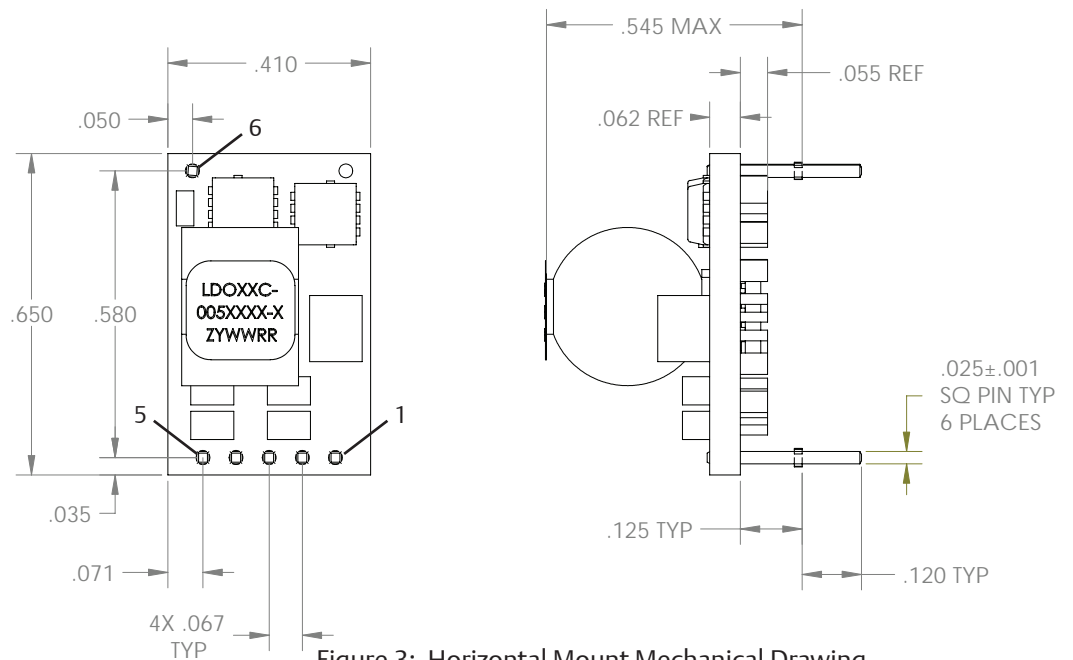


Figure 3: Horizontal Mount Mechanical Drawing

Surface Mount

Dimensions in inches (mm). Tolerances (unless otherwise specified) 2 Places ± 0.030 (± 0.76)
3 Places ± 0.010 (± 0.25)

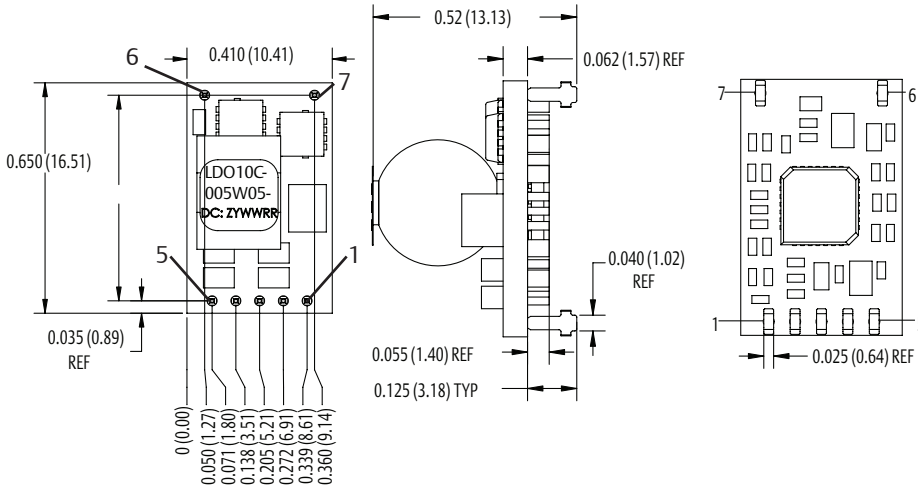


Figure 4: Surface Mount Mechanical Drawing

Pin Assignments

Pin No.	Function
1.	Enable
2.	Vin
3.	Common/RTN
4.	Vout
5.	Trim
6.	Mech Pin
7.	Mech Pin

Americas

5810 Van Allen Way
Carlsbad, CA 92008
USA
Telephone: +1 760 930 4600
Facsimile: +1 760 930 0698

Europe (UK)

Waterfront Business Park
Merry Hill, Dudley
West Midlands, DY5 1LX
United Kingdom
Telephone: +44 (0) 1384 842 211
Facsimile: +44 (0) 1384 843 355

Asia (HK)

1/F, Lu Plaza
2 Wing Yip Street
Kwun Tong, Kowloon
Hong Kong
Telephone: +852 2176 3333
Facsimile: +852 2176 3888

For global contact, visit:

[www.Emerson.com/
EmbeddedPower
techsupport.embeddedpower
@emerson.com](http://www.Emerson.com/EmbeddedPowertechsupport.embeddedpower@emerson.com)

While every precaution has been taken to ensure accuracy and completeness in this literature, Emerson Network Power assumes no responsibility, and disclaims all liability for damages resulting from use of this information or for any errors or omissions.

Emerson Network Power.

The global leader in enabling
business-critical continuity.

- AC Power
- Connectivity
- DC Power
- Embedded Computing
- **Embedded Power**
- Monitoring
- Outside Plant
- Power Switching & controls
- Precision Cooling
- Racks & Integrated Cabinets
- Services
- Surge Protection

EmersonNetworkPower.com

Emerson Network Power and the Emerson Network Power logo are trademarks and service marks of Emerson Electric Co.
©2010 Emerson Electric Co.

Компания «Life Electronics» занимается поставками электронных компонентов импортного и отечественного производства от производителей и со складов крупных дистрибьюторов Европы, Америки и Азии.

С конца 2013 года компания активно расширяет линейку поставок компонентов по направлению коаксиальный кабель, кварцевые генераторы и конденсаторы (керамические, пленочные, электролитические), за счёт заключения дистрибьюторских договоров

Мы предлагаем:

- Конкурентоспособные цены и скидки постоянным клиентам.
- Специальные условия для постоянных клиентов.
- Подбор аналогов.
- Поставку компонентов в любых объемах, удовлетворяющих вашим потребностям.
- Приемлемые сроки поставки, возможна ускоренная поставка.
- Доставку товара в любую точку России и стран СНГ.
- Комплексную поставку.
- Работу по проектам и поставку образцов.
- Формирование склада под заказчика.
- Сертификаты соответствия на поставляемую продукцию (по желанию клиента).
- Тестирование поставляемой продукции.
- Поставку компонентов, требующих военную и космическую приемку.
- Входной контроль качества.
- Наличие сертификата ISO.

В составе нашей компании организован Конструкторский отдел, призванный помогать разработчикам, и инженерам.

Конструкторский отдел помогает осуществить:

- Регистрацию проекта у производителя компонентов.
- Техническую поддержку проекта.
- Защиту от снятия компонента с производства.
- Оценку стоимости проекта по компонентам.
- Изготовление тестовой платы монтаж и пусконаладочные работы.



Тел: +7 (812) 336 43 04 (многоканальный)

Email: org@lifeelectronics.ru