

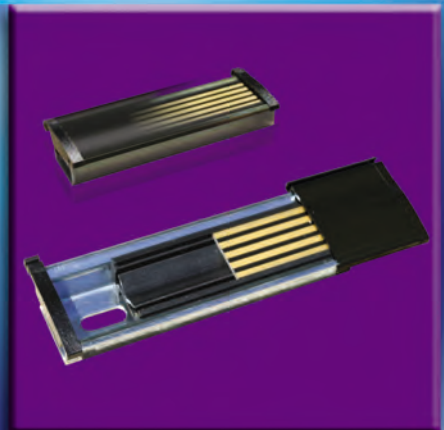
Altech Corp.®

Serving the Automation & Control Industry since 1984



Quality
Endorsed
Company

1



52

57.9

60.4

DOLD

DIN Enclosures



Altech's DIN Enclosures by **DOLD**

Since 1984 Altech Corporation has grown to become a leading supplier of automation and industrial control components. Headquartered in Flemington, NJ, Altech has an experienced staff of engineering, manufacturing and sales personnel to provide the highest quality products with superior service. This is the Altech Commitment!

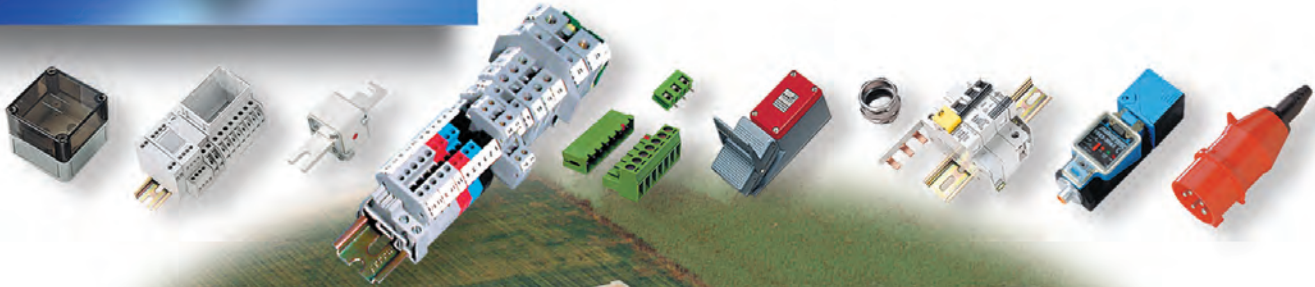
Build or maintain your competitive edge in the world markets. Enhance the value of your products and devices by packaging them attractively with enclosures from Altech. Applications are limitless. Our compact DIN enclosures are ideal for housing electrical, electronic and electromechanical devices including relays, sensing and monitoring devices, timers, transducers, printed circuit boards and more.

Altech's line of DIN Enclosures are manufactured by **DOLD** , a company well known in Europe for its quality DIN Enclosures and Safety Relays. They offer the most comprehensive selection of DIN enclosures available. These versatile housings are economical, easy to assemble and install. They provide protection and integral, ready-to-wire terminals in one attractive package. And at a level of quality that meets or exceeds national and international standards for performance and safety.

Wide Range of Sizes and Designs, Choice of Cover Styles, Terminal-To-Board Connection Options and 35mm DIN Rail or Panel Mount. Only flame retardant, maintenance free materials are used for safety, and to insure that your control devices look good for many years to come.

Customizing is easy. We can cut special holes and cutouts for operating, setting or indicating components that you may wish to install into the front panel. Terminals can be marked for quick identification and efficient field wiring. Instructions and custom markings can be imprinted. Our enclosures can even be molded in custom colors and custom configurations (OEM quantities). Whatever your requirements may be, we will do our best to help you meet them.

Our well trained technical experts welcome the opportunity to answer your technical questions and provide solutions to your automation and control needs. Give us a call or visit www.altechcorp.com.



Quality Commitment

Altech's control components meet diverse national and international standards such as UL, NEC, CSA IEC VDE and more. Altech provides superior customer service and delivery through Total Quality Management and Continuous Process Improvement. Altech is ISO 9001 approved. We perform these services with honesty and integrity and are committed to achieve these goals.

CONTENTS



KS4400

The KS4400 series is simple, modular and flexible yet highly functional. The half shell design is cost effective and provides exceptional space utilization. Three levels of terminals with fixed and pluggable PCB terminal options allow for high density connections. A large front face area provides ample space for operator, communication and visual display components.

- DIN Rail Mount
- Fixed and Pluggable Terminals
- High Density Terminal Configuration
- Compact, Snap-together
- Standard Color: Black Housing with Gray Front Plate

4-11



KO4700

Our most popular enclosures, the KO4700 series offer a wide range of sizes with single and double level terminal configurations. They can be used for a wide range of applications. Complete with 8 to 132 terminals, select from pressure plate or box clamp terminations with fixed or pluggable terminal-to-board connections. Several cover designs add to the versatility of this series.

- DIN Rail or Panel Mount
- Fixed and Pluggable Designs
- Snap-On Keyed Covers
- Integral PC Board Guides
- Standard Color: Black Housing Shell with Tan Cover
- Modular Terminal Enclosures, pages 32-39

12-39



K70

K70 series enclosures include a range of small to medium size DIN enclosures, complete with 8 to 32 terminals. They offer cost effective solutions for many applications. The K70s are supplied with integral pressure plate terminals for reliable connections. Terminal-to-board connections include fixed and pluggable solutions.

- DIN Rail or Panel Mount
- Integral PC Board Guides
- Snap-On Covers
- Fixed and Pluggable Designs
- Standard Color: Light Gray

40-47



KU4000

The versatile KU4000 series enclosures feature generous internal space for printed circuit boards and electronic components. High density, double level snap-in terminals are of the pressure plate or spring cage design for gastight, vibration proof connections. Straight or angled solder pins offer flexibility in board layout. All versions have machine solderable terminals. KU4000 housings fit into standard 45mm (1.77 in.) high international style cutouts.

- DIN Rail or Panel Mount
- Integral PC Board Guides
- Front Fits 45mm (1.77 in.) Cutouts
- Terminal Cover Plugs Available
- Standard Color: Light Gray

48-73



KU4100

The versatile KU4100 series features a compact design with different terminal configuration options. They are available in six widths with double level terminal locations. Terminal configuration options include blank enclosures with no terminal openings, fixed PCB terminals and pluggable PCB terminals.

- DIN Rail Mount
- Front Fits 45mm (1.77 in.) Cutouts
- Integral PC Board Guides
- Fixed and Pluggable Terminals
- Standard Color: Light Gray Cover with Black Base

74-84



KO4300

The KO4300 series offers new design styling and cost effectiveness in a high density compact package. The double level terminals offer space savings while providing gas-tight, vibration proof connections. The enclosures are available with 16 to 64 terminals in 22.5 to 90 mm widths.

- DIN Rail Mount
- Machine Solderable Pins
- Integral PC Board Guides
- Compact High Density Design
- Standard Color: Light Gray

85-89



KO4070

Compact, cost effective enclosures are ideal for I/O circuits, relays, timers and other small control devices. The KO4070 series enclosures are available in three widths with single and multi-level terminals. They are supplied complete with 4 to 16 box clamp type terminals that are machine solderable.

- DIN Rail Mount
- Machine Solderable Terminals
- Compact, Snap-Together
- Integral PC Board Guides
- Standard Color: Light Gray

90-95

| | |
|-----------------------------|-----|
| In-Rail Busbar System | .96 |
| Index | .97 |
| Terms & Conditions | .98 |

KS4400 Series



The KS4400 series is simple, modular and flexible yet highly functional. The half shell design is cost effective and provides exceptional space utilization. Three levels of terminals with fixed and pluggable PCB terminal options allow for high density connections. A large front face area provides ample space for operator, communication and visual display components.

MATERIALS

Housing

Housing Shell: Polyamide, Glass Filled; Front Plate: PBT

Terminals

Housing: Polyamide; Terminal Pins: Tinned Brass

Temperature Rating: 120°C (248°F) UL94V0

Standard Color: Black Housing with Gray Front Plate

Other colors are available upon request.

PROTECTION

KS4400 enclosures have an IP40 rating, IP20 for terminal openings (finger protected) and meet VBG4 and other European accident prevention requirements.

CONSTRUCTION

The KS4400 enclosure series housings are supplied as unassembled kits. Each kit consists of two half shells, a front plate, DIN rail clip and terminal sets. The terminals are set on three levels to maximize space. The terminals are machine solderable with right angle pins. PC boards are mounted vertically in the enclosure, perpendicular to the DIN rail.

TERMINALS

The terminals are available as fixed or pluggable PCB terminals. The terminal blocks are all machine solderable. Fixed PCB terminals are standard screw cage clamp style terminal blocks.

Pluggable PCB terminals feature male pin headers and female screw cage clamp or spring cage clamp plugs that can be plugged/unplugged. Terminal spaces can also be left blank and covered with a snap in cover (terminal blanking plug).

MOUNTING

The KS4400 series can easily be mounted on standard 35mm DIN rail by means of the integral mounting foot and DIN clip.

MARKING

The KS4400 series have large marking areas on the front of the cover.

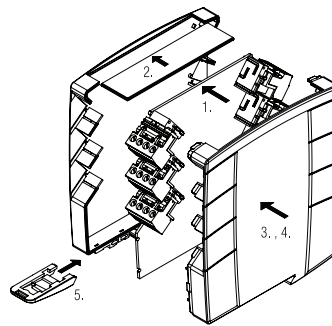
CUSTOMIZATION

We can supply the KS4400 series enclosures with many custom options including:

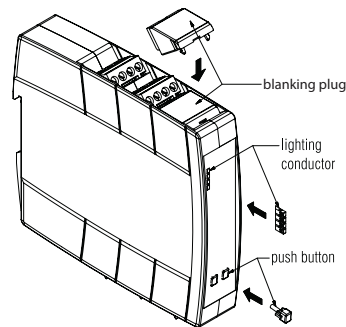
- Partial or mixed terminal loading
- Printing/Marking
- Enclosure bus connections
- Ventilation Slots
- Machining of custom holes
- Hinged front covers
- Front cover with test buttons

ASSEMBLY OF ENCLOSURE

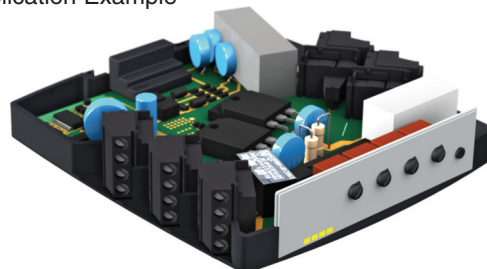
- 1 With terminals fitted, place the PCB in the first enclosure half shell.
- 2 Slide the front plate in the slot in the first enclosure half shell.
- 3 Place this assembly flat and line-up the second half shell so that the front plate slides into the slot.
- 4 Manually close both half shells until they snap together.
- 5 Insert the DIN rail mounting clip into the base of the enclosure.



ACCESSORIES AND OPTIONS



Application Example



12 Terminal Fixed Terminals



TECHNICAL INFORMATION

Electrical:
10A, 300V, 22-14AWG

Materials:
Housing - PA-GF
Front Plate - PBT
Terminals - PA

Temperature Range:
Up to 120°C (248°F)

Flammability Rating:
UL94 V-O

***Color:** Black Housing
Gray Cover Plate

Terminal Type:
Fixed Screw

Terminal Screw Size: M2.5

Recommended Torque:
0.5Nm

Max. PCB's:
(1) Vertical

Mounting:
35mm DIN Rail

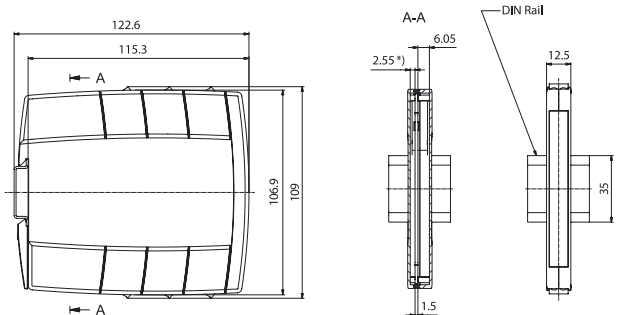
ORDERING INFORMATION

| Part Number | Type | Terminals | PCB Connection |
|-------------|----------|-------------|----------------|
| 90.120 | KS4401/F | Fixed Screw | Machine Solder |

ACCESSORIES

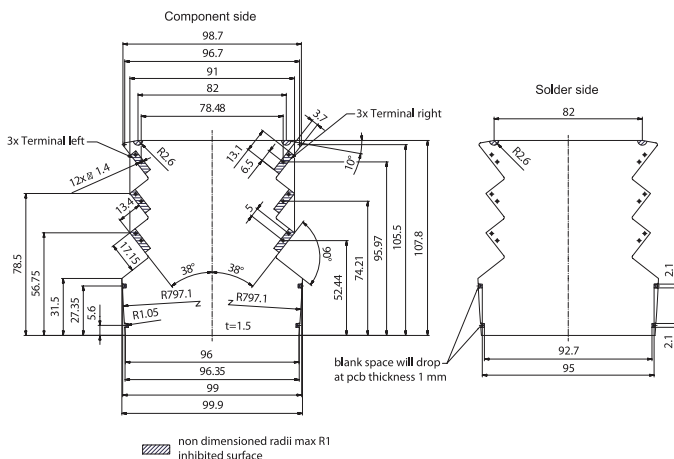
| Accessories | Part Number | Type |
|------------------------|-------------|-------------|
| 1 Meter DIN Rail | 2511120/1M | TS35x7.5/1M |
| Terminal Blanking Plug | 90.190 | KS4403-5-1 |
| Light Pipes, 3mm Grid | 90.191 | KS4400-7-1 |
| Light Pipes, 5mm Grid | 90.192 | KS4400-6-1 |

ENCLOSURE DRAWING (To convert to inches divide by 25.4.)



*) 3.05 with printed circuit board thickness t = 1 mm

PCB DRAWING (To convert to inches divide by 25.4.)



non dimensioned radii max R1
inhibited surface

*Other colors are available upon request.

12 Terminal Pluggable Terminals



TECHNICAL INFORMATION

Electrical:
10A, 300V, 30-12AWG (Screw);
10A, 300V, 26-12AWG (Spring)

Materials:
Housing - PA-GF
Front Plate - PBT
Terminals - PA

Temperature Range:
Up to 120°C (248°F)

Flammability Rating:
UL94 V-O

***Color:** Black Housing
Gray Cover Plate

Terminal Type:
Pluggable Screw /
Pluggable Spring

Terminal Screw Size: M2.5

Recommended Torque:
0.5Nm

Max. PCB's:
(1) Vertical

Mounting:
35mm DIN Rail

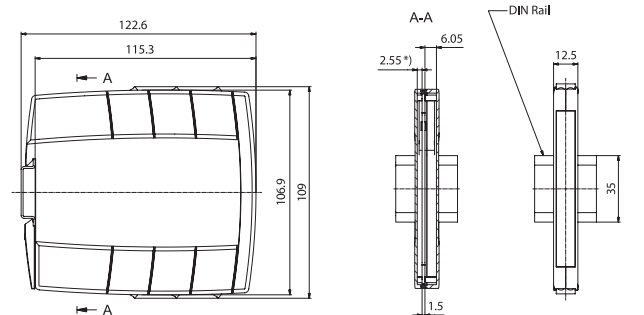
ORDERING INFORMATION

| Part Number | Type | Terminals | PCB Connection |
|-------------|-----------|------------------|----------------|
| 90.121 | KS4401/PS | Pluggable Screw | Machine Solder |
| 90.122 | KS4401/PC | Pluggable Spring | Machine Solder |

ACCESSORIES

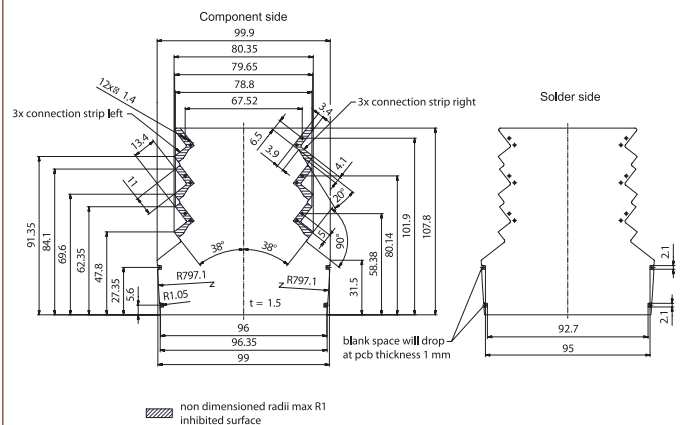
| Accessories | Part Number | Type |
|------------------------|-------------|-------------|
| 1 Meter DIN Rail | 2511120/1M | TS35x7.5/1M |
| Terminal Blanking Plug | 90.190 | KS4403-5-1 |
| Light Pipes, 3mm Grid | 90.191 | KS4400-7-1 |
| Light Pipes, 5mm Grid | 90.192 | KS4400-6-1 |

ENCLOSURE DRAWING (To convert to inches divide by 25.4.)



*) 3.05 with printed circuit board thickness t = 1 mm

PCB DRAWING (To convert to inches divide by 25.4.)



non dimensioned radii max R1
inhibited surface

KS4400 Enclosure Series

18 Terminal Fixed Terminals



TECHNICAL INFORMATION

Electrical:
10A, 300V, 22-14AWG

Materials:
Housing - PA-GF
Front Plate - PBT
Terminals - PA

Temperature Range:
Up to 120°C (248°F)

Flammability Rating:
UL94 V-O

***Color:** Black Housing
Gray Cover Plate

Terminal Type:
Fixed Screw

Terminal Screw Size: M2.5

Recommended Torque:
0.5Nm

Max. PCB's:
(1) Vertical

Mounting:
35mm DIN Rail

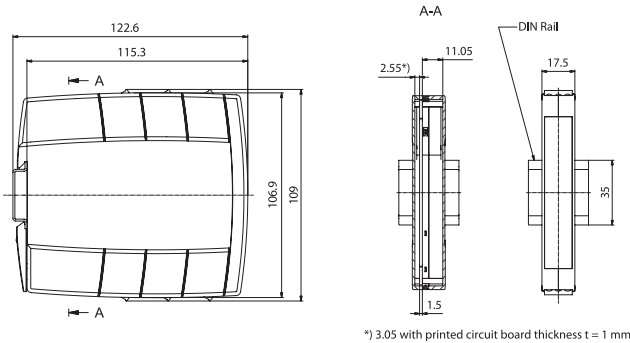
ORDERING INFORMATION

| Part Number | Type | Terminals | PCB Connection |
|-------------|----------|-------------|----------------|
| 90.130 | KS4402/F | Fixed Screw | Machine Solder |

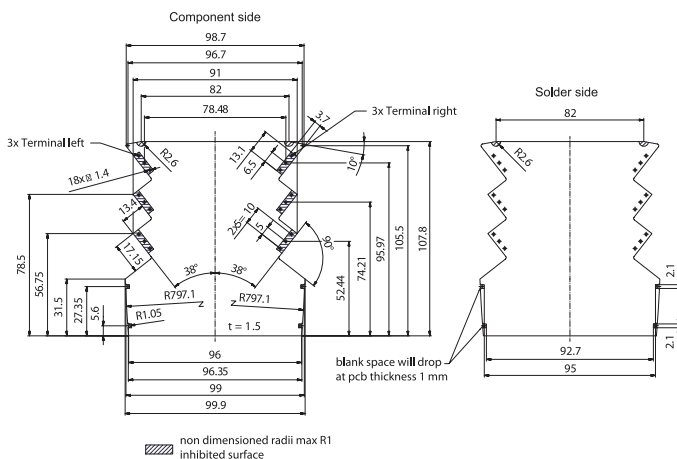
ACCESSORIES

| Accessories | Part Number | Type |
|------------------------|-------------|-------------|
| 1 Meter DIN Rail | 2511120/1M | TS35x7.5/1M |
| Terminal Blanking Plug | 90.190 | KS4403-5-1 |
| Light Pipes, 3mm Grid | 90.191 | KS4400-7-1 |
| Light Pipes, 5mm Grid | 90.192 | KS4400-6-1 |

ENCLOSURE DRAWING (To convert to inches divide by 25.4.)



PCB DRAWING (To convert to inches divide by 25.4.)



*Other colors are available upon request.

18 Terminal Pluggable Terminals



TECHNICAL INFORMATION

Electrical:
10A, 300V, 30-12AWG (Screw);
10A, 300V, 26-12AWG (Spring)

Materials:
Housing - PA-GF
Front Plate - PBT
Terminals - PA

Temperature Range:
Up to 120°C (248°F)

Flammability Rating:
UL94 V-O

***Color:** Black Housing
Gray Cover Plate

Terminal Type:
Pluggable Screw /
Pluggable Spring

Terminal Screw Size: M2.5

Recommended Torque:
0.5Nm

Max. PCB's:
(1) Vertical

Mounting:
35mm DIN Rail

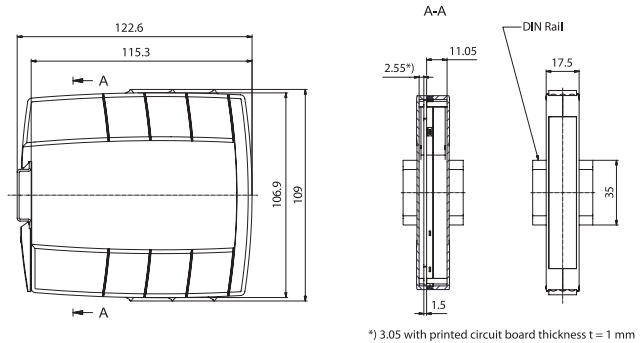
ORDERING INFORMATION

| Part Number | Type | Terminals | PCB Connection |
|-------------|-----------|------------------|----------------|
| 90.131 | KS4402/PS | Pluggable Screw | Machine Solder |
| 90.132 | KS4402/PC | Pluggable Spring | Machine Solder |

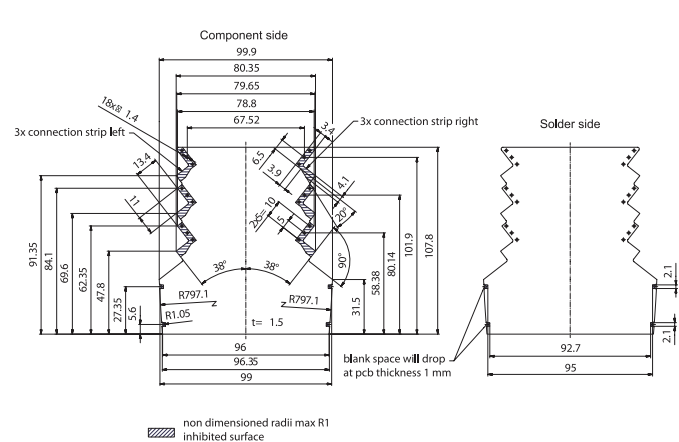
ACCESSORIES

| Accessories | Part Number | Type |
|------------------------|-------------|-------------|
| 1 Meter DIN Rail | 2511120/1M | TS35x7.5/1M |
| Terminal Blanking Plug | 90.190 | KS4403-5-1 |
| Light Pipes, 3mm Grid | 90.191 | KS4400-7-1 |
| Light Pipes, 5mm Grid | 90.192 | KS4400-6-1 |

ENCLOSURE DRAWING (To convert to inches divide by 25.4.)



PCB DRAWING (To convert to inches divide by 25.4.)



24 Terminal Fixed Terminals



TECHNICAL INFORMATION

Electrical:
10A, 300V, 22-14AWG

Materials:
Housing - PA-GF
Front Plate - PBT
Terminals - PA

Temperature Range:
Up to 120°C (248°F)

Flammability Rating:
UL94 V-O

***Color:** Black Housing
Gray Cover Plate

Terminal Type:
Fixed Screw

Terminal Screw Size: M2.5

Recommended Torque:
0.5Nm

Max. PCB's:
(1) Vertical

Mounting:
35mm DIN Rail

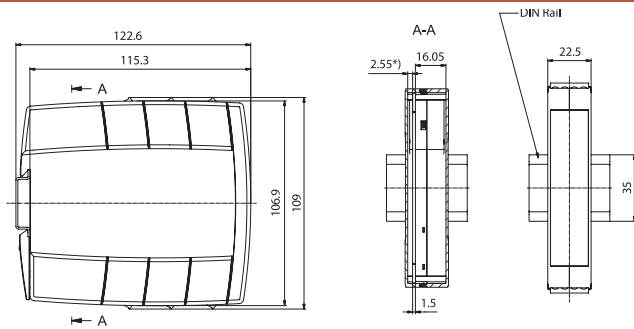
ORDERING INFORMATION

| Part Number | Type | Terminals | PCB Connection |
|-------------|----------|-------------|----------------|
| 90.140 | KS4403/F | Fixed Screw | Machine Solder |

ACCESSORIES

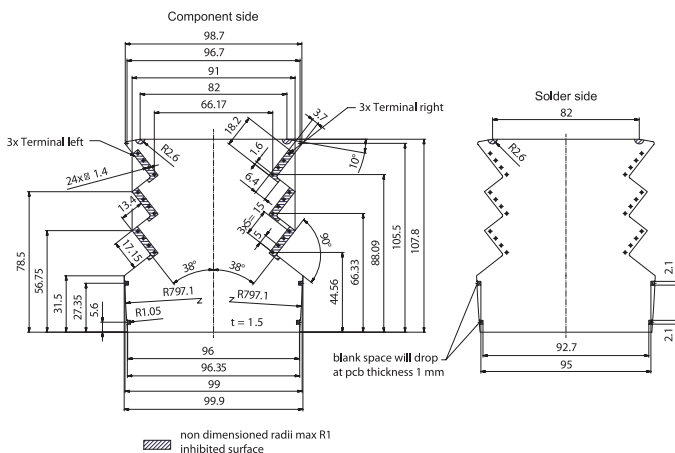
| Accessories | Part Number | Type |
|------------------------|-------------|-------------|
| 1 Meter DIN Rail | 2511120/1M | TS35x7.5/1M |
| Terminal Blanking Plug | 90.190 | KS4403-5-1 |
| Light Pipes, 3mm Grid | 90.191 | KS4400-7-1 |
| Light Pipes, 5mm Grid | 90.192 | KS4400-6-1 |

ENCLOSURE DRAWING (To convert to inches divide by 25.4.)



*) 3.05 with printed circuit board thickness t = 1 mm

PCB DRAWING (To convert to inches divide by 25.4.)



*Other colors are available upon request.

24 Terminal Pluggable Terminals



TECHNICAL INFORMATION

Electrical:
10A, 300V, 30-12AWG (Screw);
10A, 300V, 26-12AWG (Spring)

Materials:
Housing - PA-GF
Front Plate - PBT
Terminals - PA

Temperature Range:
Up to 120°C (248°F)

Flammability Rating:
UL94 V-O

***Color:** Black Housing
Gray Cover Plate

Terminal Type:
Pluggable Screw /
Pluggable Spring

Terminal Screw Size: M2.5

Recommended Torque:
0.5Nm

Max. PCB's:
(1) Vertical

Mounting:
35mm DIN Rail

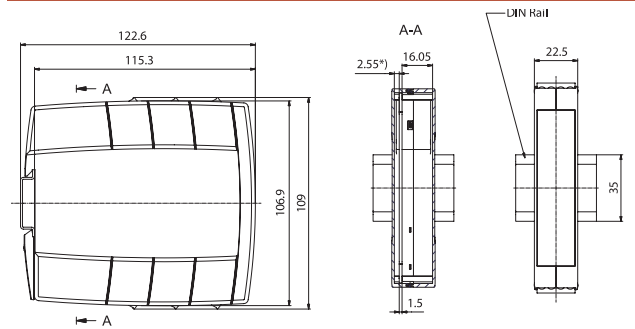
ORDERING INFORMATION

| Part Number | Type | Terminals | PCB Connection |
|-------------|-----------|------------------|----------------|
| 90.141 | KS4403/PS | Pluggable Screw | Machine Solder |
| 90.142 | KS4403/PC | Pluggable Spring | Machine Solder |

ACCESSORIES

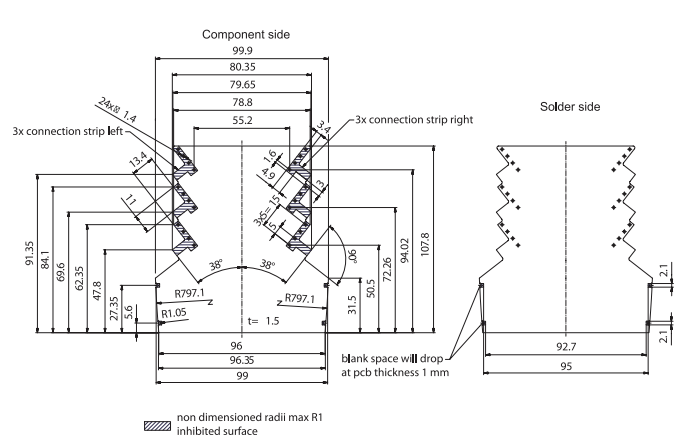
| Accessories | Part Number | Type |
|------------------------|-------------|-------------|
| 1 Meter DIN Rail | 2511120/1M | TS35x7.5/1M |
| Terminal Blanking Plug | 90.190 | KS4403-5-1 |
| Light Pipes, 3mm Grid | 90.191 | KS4400-7-1 |
| Light Pipes, 5mm Grid | 90.192 | KS4400-6-1 |

ENCLOSURE DRAWING (To convert to inches divide by 25.4.)



*) 3.05 with printed circuit board thickness t = 1 mm

PCB DRAWING (To convert to inches divide by 25.4.)



non dimensioned radii max R1
inhibited surface

**48 Terminal
Fixed Terminals**



TECHNICAL INFORMATION

Electrical:
10A, 300V, 22-14AWG

Materials:
Housing - PA-GF
Front Plate - PBT
Terminals - PA

Temperature Range:
Up to 120°C (248°F)

Flammability Rating:
UL94 V-O

***Color:**Black Housing
Gray Cover Plate

Terminal Type:
Fixed Screw

Terminal Screw Size: M2.5

Recommended Torque:
0.5Nm

Max. PCB's:
(2) Vertical

Mounting:
35mm DIN Rail

ORDERING INFORMATION

| Part Number | Type | Terminals | PCB Connection |
|-------------|----------|-------------|----------------|
| 90.160 | KS4404/F | Fixed Screw | Machine Solder |

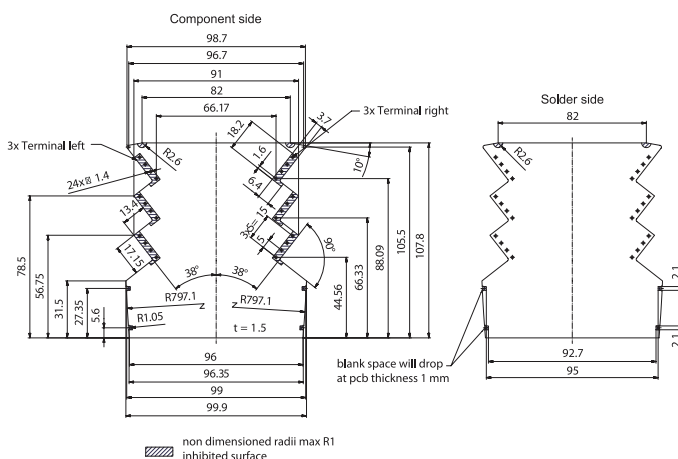
ACCESSORIES

| Accessories | Part Number | Type |
|------------------------|-------------|-------------|
| 1 Meter DIN Rail | 2511120/1M | TS35x7.5/1M |
| Terminal Blanking Plug | 90.190 | KS4403-5-1 |
| Light Pipes, 3mm Grid | 90.191 | KS4400-7-1 |
| Light Pipes, 5mm Grid | 90.192 | KS4400-6-1 |

ENCLOSURE DRAWING (To convert to inches divide by 25.4.)



PCB DRAWING (To convert to inches divide by 25.4.)



*Other colors are available upon request.

**48 Terminal
Pluggable Terminals**



TECHNICAL INFORMATION

Electrical:
10A, 300V, 30-12AWG (Screw);
10A, 300V, 26-12AWG (Spring)

Materials:
Housing - PA-GF
Front Plate - PBT
Terminals - PA

Temperature Range:
Up to 120°C (248°F)

Flammability Rating:
UL94 V-O

***Color:**Black Housing
Gray Cover Plate

Terminal Type:
Pluggable Screw /
Pluggable Spring

Terminal Screw Size: M2.5

Recommended Torque:
0.5Nm

Max. PCB's:
(2) Vertical

Mounting:
35mm DIN Rail

ORDERING INFORMATION

| Part Number | Type | Terminals | PCB Connection |
|-------------|-----------|------------------|----------------|
| 90.161 | KS4404/PS | Pluggable Screw | Machine Solder |
| 90.162 | KS4404/PC | Pluggable Spring | Machine Solder |

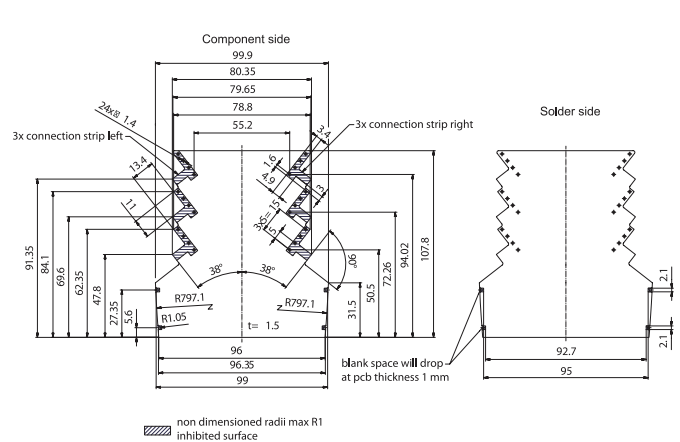
ACCESSORIES

| Accessories | Part Number | Type |
|------------------------|-------------|-------------|
| 1 Meter DIN Rail | 2511120/1M | TS35x7.5/1M |
| Terminal Blanking Plug | 90.190 | KS4403-5-1 |
| Light Pipes, 3mm Grid | 90.191 | KS4400-7-1 |
| Light Pipes, 5mm Grid | 90.192 | KS4400-6-1 |

ENCLOSURE DRAWING (To convert to inches divide by 25.4.)



PCB DRAWING (To convert to inches divide by 25.4.)



KS4400 Enclosure Series

72 Terminal Fixed Terminals



TECHNICAL INFORMATION

Electrical:
10A, 300V, 22-14AWG

Materials:
Housing - PA-GF
Front Plate - PBT
Terminals - PA

Temperature Range:
Up to 120°C (248°F)

Flammability Rating:
UL94 V-O

***Color:** Black Housing
Gray Cover Plate

Terminal Type:
Fixed Screw

Terminal Screw Size: M2.5

Recommended Torque:
0.5Nm

Max. PCB's:
(3) Vertical

Mounting:
35mm DIN Rail

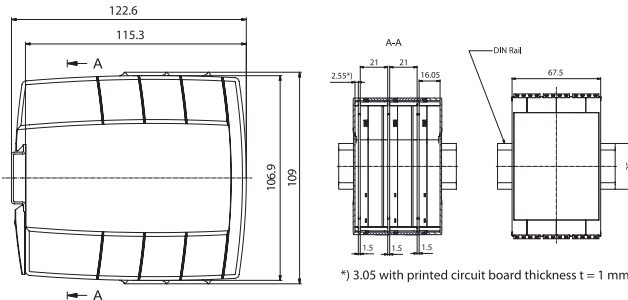
ORDERING INFORMATION

| Part Number | Type | Terminals | PCB Connection |
|-------------|----------|-------------|----------------|
| 90.170 | KS4405/F | Fixed Screw | Machine Solder |

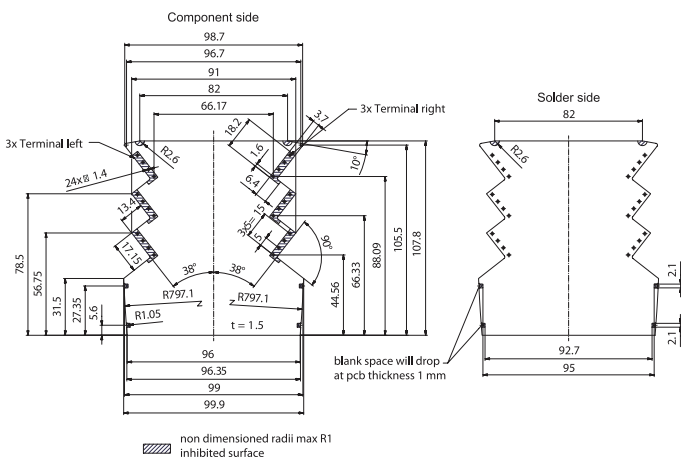
ACCESSORIES

| Accessories | Part Number | Type |
|------------------------|-------------|-------------|
| 1 Meter DIN Rail | 2511120/1M | TS35x7.5/1M |
| Terminal Blanking Plug | 90.190 | KS4403-5-1 |
| Light Pipes, 3mm Grid | 90.191 | KS4400-7-1 |
| Light Pipes, 5mm Grid | 90.192 | KS4400-6-1 |

ENCLOSURE DRAWING (To convert to inches divide by 25.4.)



PCB DRAWING (To convert to inches divide by 25.4.)



*Other colors are available upon request.

72 Terminal Pluggable Terminals



TECHNICAL INFORMATION

Electrical:
10A, 300V, 30-12AWG (Screw);
10A, 300V, 26-12AWG (Spring)

Materials:
Housing - PA-GF
Front Plate - PBT
Terminals - PA

Temperature Range:
Up to 120°C (248°F)

Flammability Rating:
UL94 V-O

***Color:** Black Housing
Gray Cover Plate

Terminal Type:
Pluggable Screw /
Pluggable Spring

Terminal Screw Size: M2.5

Recommended Torque:
0.5Nm

Max. PCB's:
(3) Vertical

Mounting:
35mm DIN Rail

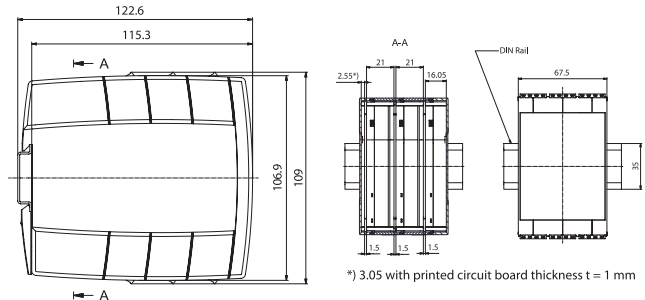
ORDERING INFORMATION

| Part Number | Type | Terminals | PCB Connection |
|-------------|-----------|------------------|----------------|
| 90.171 | KS4405/PS | Pluggable Screw | Machine Solder |
| 90.172 | KS4405/PC | Pluggable Spring | Machine Solder |

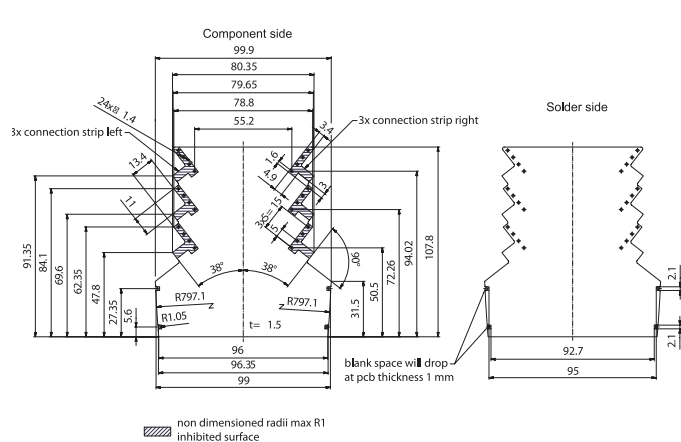
ACCESSORIES

| Accessories | Part Number | Type |
|------------------------|-------------|-------------|
| 1 Meter DIN Rail | 2511120/1M | TS35x7.5/1M |
| Terminal Blanking Plug | 90.190 | KS4403-5-1 |
| Light Pipes, 3mm Grid | 90.191 | KS4400-7-1 |
| Light Pipes, 5mm Grid | 90.192 | KS4400-6-1 |

ENCLOSURE DRAWING (To convert to inches divide by 25.4.)



PCB DRAWING (To convert to inches divide by 25.4.)



**96 Terminal
Fixed Terminals**



TECHNICAL INFORMATION

Electrical:
10A, 300V, 22-14AWG

Materials:
Housing - PA-GF
Front Plate - PBT
Terminals - PA

Temperature Range:
Up to 120°C (248°F)

Flammability Rating:
UL94 V-O

***Color:**Black Housing
Gray Cover Plate

Terminal Type:
Fixed Screw

Terminal Screw Size: M2.5

Recommended Torque:
0.5Nm

Max. PCB's:
(4) Vertical

Mounting:
35mm DIN Rail

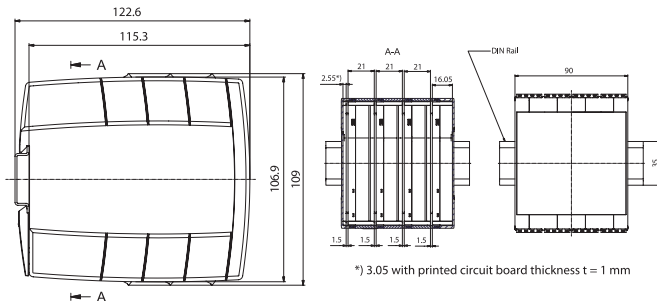
ORDERING INFORMATION

| Part Number | Type | Terminals | PCB Connection |
|-------------|----------|-------------|----------------|
| 90.180 | KS4406/F | Fixed Screw | Machine Solder |

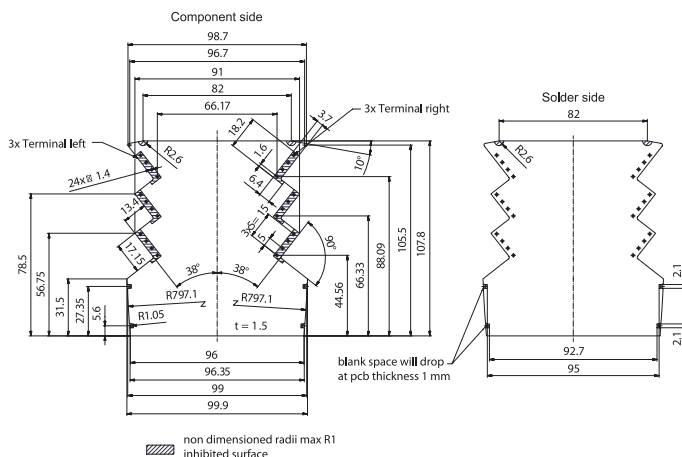
ACCESSORIES

| Accessories | Part Number | Type |
|------------------------|-------------|-------------|
| 1 Meter DIN Rail | 2511120/1M | TS35x7.5/1M |
| Terminal Blanking Plug | 90.190 | KS4403-5-1 |
| Light Pipes, 3mm Grid | 90.191 | KS4400-7-1 |
| Light Pipes, 5mm Grid | 90.192 | KS4400-6-1 |

ENCLOSURE DRAWING (To convert to inches divide by 25.4.)



PCB DRAWING (To convert to inches divide by 25.4.)



*Other colors are available upon request.

**96 Terminal
Pluggable Terminals**



TECHNICAL INFORMATION

Electrical:
10A, 300V, 30-12AWG (Screw);
10A, 300V, 26-12AWG (Spring)

Materials:
Housing - PA-GF
Front Plate - PBT
Terminals - PA

Temperature Range:
Up to 120°C (248°F)

Flammability Rating:
UL94 V-O

***Color:**Black Housing
Gray Cover Plate

Terminal Type:
Pluggable Screw /
Pluggable Spring

Terminal Screw Size: M2.5

Recommended Torque:
0.5Nm

Max. PCB's:
(4) Vertical

Mounting:
35mm DIN Rail

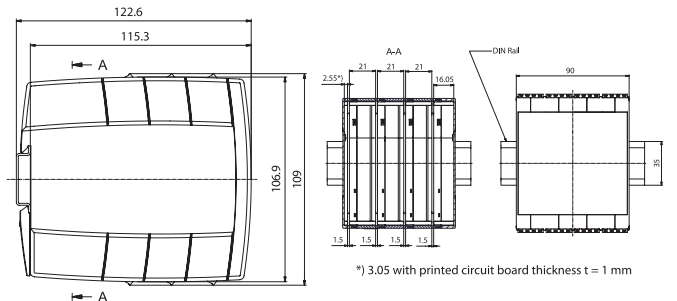
ORDERING INFORMATION

| Part Number | Type | Terminals | PCB Connection |
|-------------|-----------|------------------|----------------|
| 90.181 | KS4406/PS | Pluggable Screw | Machine Solder |
| 90.182 | KS4406/PC | Pluggable Spring | Machine Solder |

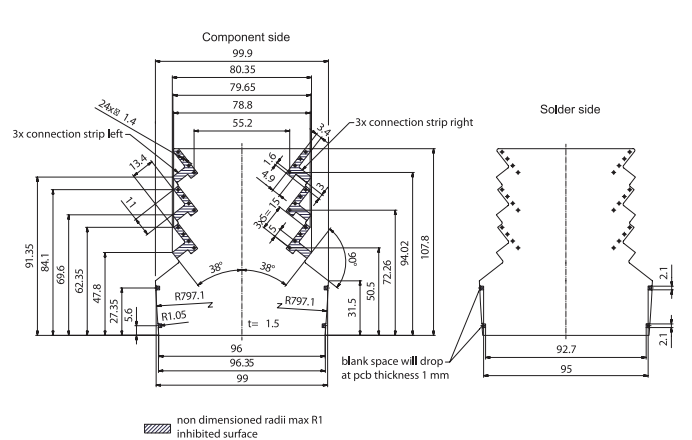
ACCESSORIES

| Accessories | Part Number | Type |
|------------------------|-------------|-------------|
| 1 Meter DIN Rail | 2511120/1M | TS35x7.5/1M |
| Terminal Blanking Plug | 90.190 | KS4403-5-1 |
| Light Pipes, 3mm Grid | 90.191 | KS4400-7-1 |
| Light Pipes, 5mm Grid | 90.192 | KS4400-6-1 |

ENCLOSURE DRAWING (To convert to inches divide by 25.4.)



PCB DRAWING (To convert to inches divide by 25.4.)



KO4700 Series



Ideal for industrial applications. Small to large in size, KO4700 enclosures can accommodate 8 to 132 terminals for field wire connections. Series KO4700 enclosures can be customized to the exact number of terminals required. Standard enclosures are equipped with the maximum number of terminal strips and terminals. The KO4700 series are available with two types of terminations for connecting external wires. The Pressure Plate type terminals, with a center line spacing of 9mm (.35 in.) and the Box Clamp design, which has a 5mm (.19 in.) center line spacing for much higher density.

MATERIALS

Housing

Housing Shell: Polycarbonate, 10% Glass Filled
 Cover: Polycarbonate, 10% Glass Filled
 Cover Panel: Clear Polycarbonate or Glass Filled Polycarbonate

Terminals

Pressure Plate: Zinc Plated, Chromated Steel
 Terminal Screw: Zinc Plated, Chromated Steel
 Clamp: Nickel Plated Brass
 Busbar: Tin Plated Bronze
 Connector Contact: Beryllium Copper, Tin Plated (gold plating available)

Temperature Rating:

125°C (257°F), UL94V0
 Housing Shell Color: Black
 Terminal Cover Color: Tan

PROTECTION

KO4700 enclosures have an IP20 rating (finger protected) and meet VBG4 and other European accident prevention requirements.

CONSTRUCTION

The KO4700 enclosure series consists of a black housing shell and a tan cover with integral terminals and terminal-to-board connections. They are supplied unassembled.

The housing shell has molded printed circuit board guides to save time when inserting printed circuit boards, prevent misconnections and to keep the boards from moving. Integral tabs on the bottom of the shell further help to hold boards in place, eliminating lateral movement. KO4700 housing shells can be potted.

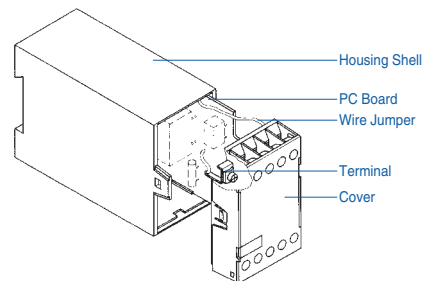


Printed circuit boards can be mounted in three ways:

- Behind the Front Cover
- Horizontally
- Vertically

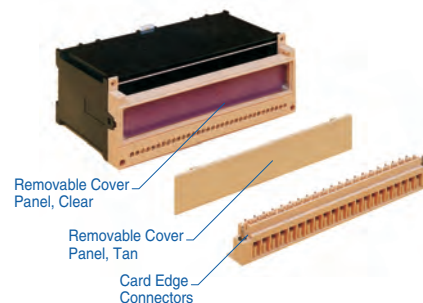
Depending on the enclosure type, one board can be mounted directly behind the front cover (parallel to the DIN rail). Boards can also be mounted horizontally (parallel to the DIN rail) or vertically (perpendicular to the DIN rail). (Refer to the Ordering Pages for board patterns and location of board guides.)

The housing cover snaps onto the housing shell. Two keyed tabs lock the cover firmly in place. Removal of the cover is possible for service and repair.



COVER DESIGNS

Single piece, tan color covers are typically used with the smaller enclosures. They incorporate terminals and connections to the inside of the enclosure. In some of the smaller enclosures, the cover doubles as a plug. A printed circuit board can be mounted directly behind the front cover. This board is ideal for mounting components used for setting, adjusting and monitoring such as switches, potentiometer, LEDs and LCDs. There is no interference with any other boards mounted within the enclosure.



Modular covers consist

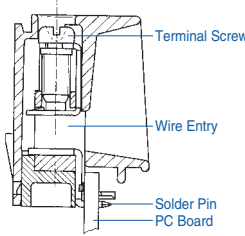
of a one-piece tan frame with matching flat front panel. Some versions have a front cover panel that is removable and offered in matching tan or clear. The front covers can be custom imprinted or marking plates can be produced and installed behind the transparent front cover panel.

TERMINAL DESIGNS

Select from Pressure Plate or Box Clamp terminals with wire protectors, and fixed or pluggable terminal-to-board connections. (Please refer to the Ordering Pages). Removable fixed or pluggable terminal strips can be replaced by terminal plugs if not all of the external connections of the standard enclosure are needed. The terminal screws used with both the pressure plate and box clamp designs can be operated with a flat tip or a #1 or #2 Philips type screwdriver.

Pressure Plate Termination

This type of terminal consists of a pressure plate (captive to the terminal screw) and the terminal bottom. The pressure plate rises automatically when the screw is loosened. One or two wires, of equal or different sizes up to 2.5mm² (14 AWG) can be terminated.



The grooved corners of the pressure plate ensure positive retention of wire(s). The flat bottom of the terminal extends to the inside of the enclosure and connects the terminal to the board(s) inside.

Box Clamp Termination

The box clamp terminal accepts wires up to 4mm² (12 AWG). When the terminal screw is tightened, the serrated bottom of the wire protector pushes the wire to be terminated against the serrated busbar. The busbar extends to the inside of the enclosure to provide the terminal-to-board connection.

TERMINAL-TO-BOARD CONNECTIONS

The KO4700 Series offers fixed and pluggable terminal-to-board connection possibilities. (Please refer to the Ordering Pages on the following pages for your selection.)

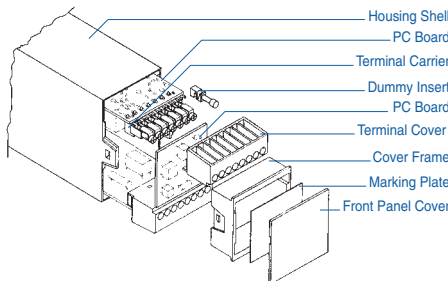
Fixed Connections

Fixed terminal-to-board connections can be made by Wire Jumper, Fast On tabs, Solder tabs, or Machine Solderable Pins.

Fast On tabs, 2.8mm (.11in.) accept industry standard Fast On connectors. Use with wire jumpers to connect to board(s).

Wire Jumper

connections can also be made by soldering a wire jumper between the center hole of the Fast On tab and the printed circuit board(s).



Solder Tab can be hand soldered to the board.

Machine Solderable Pins can be machine soldered to the board in the same step as the other components, saving assembly time. The metal parts of the terminals are supplied as separate strips which snap into the terminal housing after soldering.

Pluggable Connections

The pluggable terminal strips of the KO4700 series fit across the width of the enclosure and plug directly into the board(s) by using a Card Edge connector. Enclosures equipped with pressure plate terminals also provide Solder Tabs for terminal-to-board connections when mounting an additional board directly behind the front cover. A Wire Jumper can be soldered to these tabs as well.

For better retention, the strips have captive screws at each end

that insert into brass bushings, molded into the housing shell. The pluggable versions are ideal whenever quick connections and replacement of boards and devices is important. They also reduce the danger of misconnected wires and downtime.

MOUNTING

The KO4700 Series enclosures are designed to be mounted on standard 35 x 7.5mm DIN rail but will also fit on the 35 x 15mm DIN rail. The extra high enclosures should be mounted on the deeper, 35 x 15mm DIN rail. (Refer to the Ordering Pages on the following pages to determine the correct size rail for the enclosure you select.)

KO4700 series enclosures can also be panel mounted using pull-out tabs on the base of the enclosure. One tab is factory installed on each enclosure. Up to a total of 6 pull-out mounting tabs can be installed (See Accessories) (Refer to page 49 for mounting instructions.)



MARKING

KO4700 enclosures have a flat center area on the cover for marking and mounting of components. Several types have removable front cover panels, which can be marked at a separate location. Imprinted marking plates can be used in conjunction with the transparent, removable cover panel.

ACCESSORIES

- Terminal Cover Strips
- Pull-Out Panel Mounting Tabs
- Screws for Mounting Printed Circuit Board
- 35 x 7.5mm DIN Rail
- 35 x 15mm DIN Rail

CUSTOMIZATION

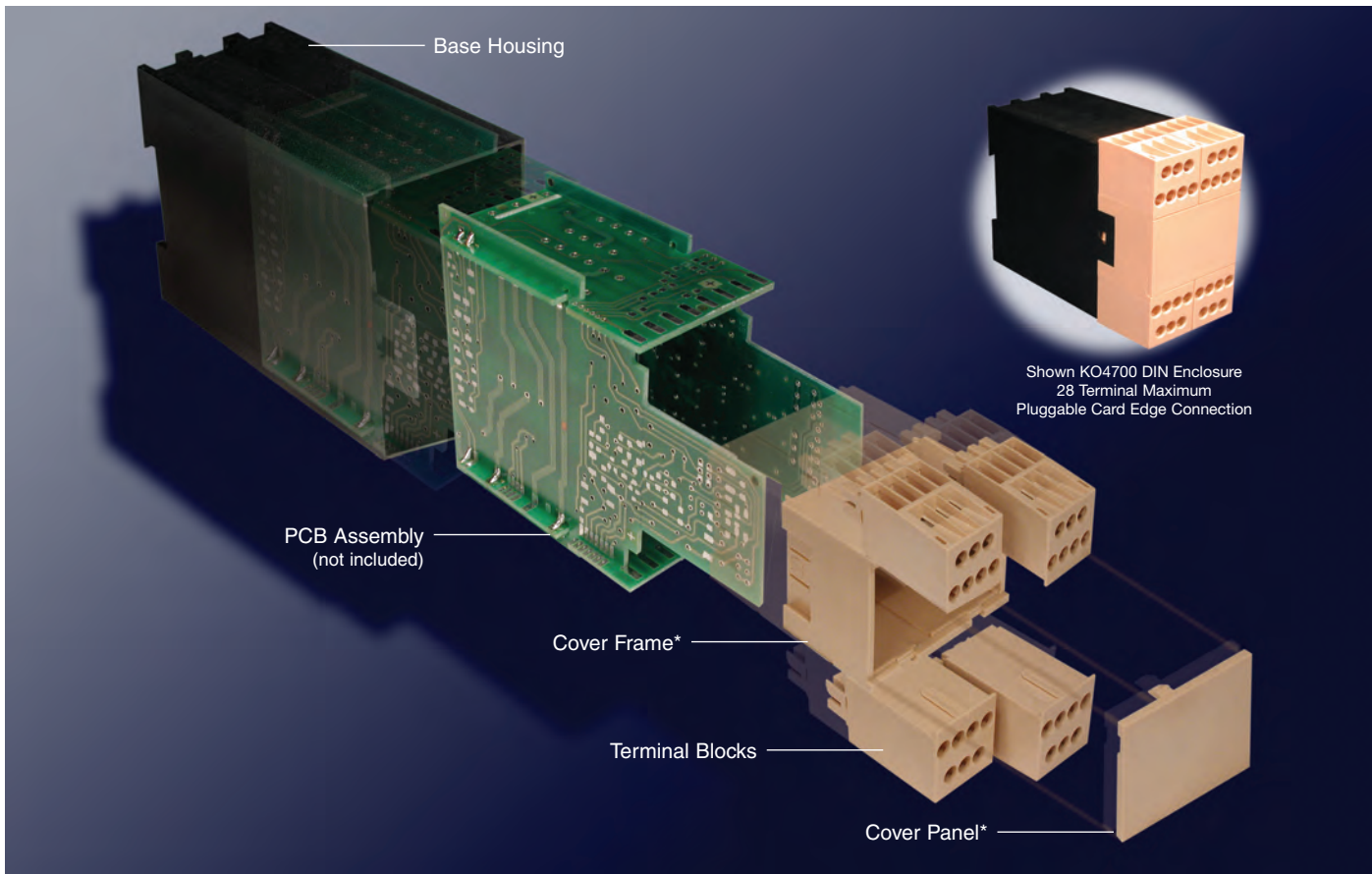
Enclosures can be customized to the exact number of terminals needed. We can punch, drill or cut custom cutouts and holes for potentiometers, switches, LEDs or LDCs. Custom colors and special markings are also available. Please call us for further information.



MODULAR ENCLOSURES (pages 32-39)

A group of modular enclosures is available in the KO4700 series. These enclosures can be ordered in a variety of terminal arrangements allowing for many different customized configurations. Terminal sets are available in 3, 4 and 7 pole blocks as well as blank blocks without terminals. High Current terminals are also available on some models. This modular terminal design allows anywhere from 0 to 56 terminals for field wire connections.

The KO4700 modular enclosures have the same design features of the standard series as well as the same materials. The terminals are of the box clamp style. The standard terminals feature pluggable connections while solder connections are used on the high current terminals. Printed circuit board placement is horizontal (parallel to the DIN rail) or vertical (perpendicular to the DIN rail).



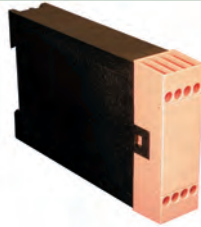
Ordering Information

The modular enclosures are ordered in separate pieces. A complete enclosure consists of a base, cover frame*, cover panel* and the appropriate number of terminal blocks. Standard terminal blocks can be ordered as blank blocks with no termination points or with 3, 4, or 7 terminations. High current terminal blocks are available on some models. These blocks can also be ordered as blank blocks with no terminations or with 3 terminations. (Please refer to the Ordering Pages on the following pages for a list of how many blocks should be ordered per enclosure).

* High current versions have one piece center cover section instead of this two piece design.

8 Terminal

Solder Connection



TECHNICAL INFORMATION

Electrical: 16A, 300V, 22-12 AWG
Housing Material: Glass-filled Polycarbonate
Cover Material: Glass-filled Polycarbonate
Temperature Range: Up to 125°C (257°F)
Flammability Rating: UL94 V-O (V-2 Clear Panel)
Color: Black Housing with Tan Cover

Terminal Type: Box Clamp
Terminal Screw Size: M3.5
Recommended Torque: 0.8Nm
Max. PCB's: (2) Vertical (1) Behind cover
Mounting: 35mm DIN Rail or optional panel mounting*

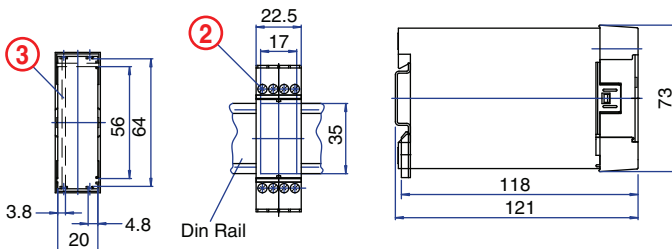
ORDERING INFORMATION

| Part Number | Type | Description | PCB Connection |
|-------------|--------|------------------------------|-------------------------|
| 90.201 | KO4712 | Solid Cover | Machine Solderable Pins |
| 90.201.1 | KO4712 | Removable Cover Panel, Tan | Machine Solderable Pins |
| 90.201.2 | KO4712 | Removable Cover Panel, Clear | Machine Solderable Pins |

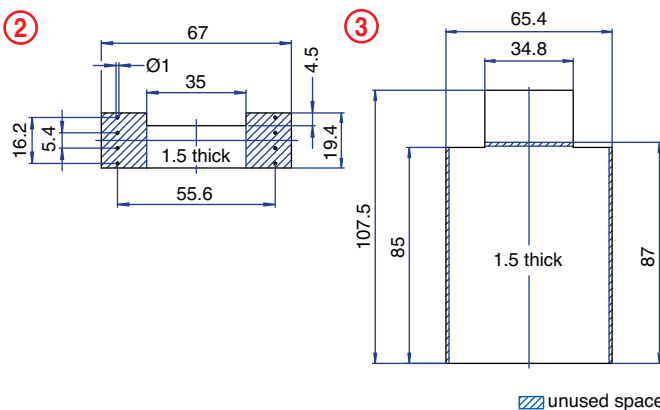
ACCESSORIES

| Accessories | Part Number | Type |
|------------------|-------------|-------------|
| 1 Meter DIN Rail | 2511120/1M | TS35x7.5/1M |
| *Panel Mount Tab | 93.001.2 | PMA |

ENCLOSURE DRAWING (To convert to inches divide by 25.4.)



PCB DRAWING (To convert to inches divide by 25.4.)



8 Terminal

Solder/Tab Connection



TECHNICAL INFORMATION

Electrical: 16A, 300V, 22-12 AWG
Housing Material: Glass-filled Polycarbonate
Cover Material: Glass-filled Polycarbonate
Temperature Range: Up to 125°C (257°F)
Flammability Rating: UL94 V-O (V-2 Clear Panel)
Color: Black Housing with Tan Cover

Terminal Type: Box Clamp
Terminal Screw Size: M3.5
Recommended Torque: 0.8Nm
Max. PCB's: (2) Vertical
Mounting: 35mm DIN Rail or optional panel mounting*

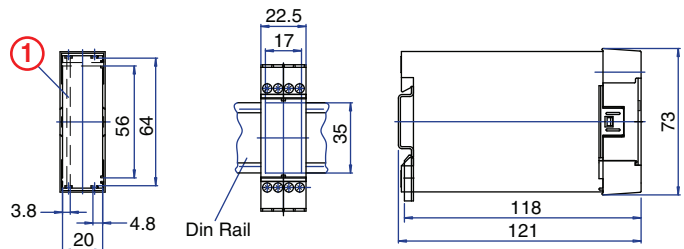
ORDERING INFORMATION

| Part Number | Type | Description | PCB Connection |
|-------------|---------|------------------------------|----------------|
| 90.202 | KO4712B | Solid Cover | Wire Jumper |
| 90.202.1 | KO4712B | Removable Cover Panel, Tan | Wire Jumper |
| 90.202.2 | KO4712B | Removable Cover Panel, Clear | Wire Jumper |

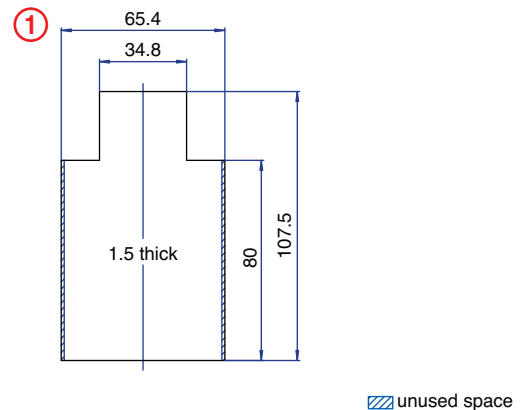
ACCESSORIES

| Accessories | Part Number | Type |
|------------------|-------------|-------------|
| 1 Meter DIN Rail | 2511120/1M | TS35x7.5/1M |
| *Panel Mount Tab | 93.001.2 | PMA |

ENCLOSURE DRAWING (To convert to inches divide by 25.4.)



PCB DRAWING (To convert to inches divide by 25.4.)



KO4700 Series

10 Terminal Spring Clamp Solder/Tab Connection



TECHNICAL INFORMATION

Electrical: 16A, 300V, 24-14 AWG
Housing Material: Glass-filled Polycarbonate
Cover Material: Glass-filled Polycarbonate
Temperature Range: Up to 125°C (257°F)
Flammability Rating: UL94 V-O
Color: Black Housing with Tan Cover

Terminal Type: Spring Cage Clamp
Terminal Screw Size: -
Recommended Torque: -
Max. PCB's: (2) Vertical
Mounting: 35mm DIN Rail

ORDERING INFORMATION

| Part Number | Type | Description | PCB Connection |
|-------------|--------|-------------|-------------------------|
| 90.215 | KO4761 | Solid Cover | Wire Jumper/ Fast On |

ACCESSORIES

| Accessories | Part Number | Type |
|------------------|-------------|-------------|
| 1 Meter DIN Rail | 2511120/1M | TS35x7.5/1M |

ENCLOSURE DRAWING (To convert to inches divide by 25.4.)



PCB DRAWING (To convert to inches divide by 25.4.)



▨ unused space

10 Terminal Solder/Tab Connection



TECHNICAL INFORMATION

Electrical: 25A, 300V, 22-14 AWG
Housing Material: Glass-filled Polycarbonate
Cover Material: Glass-filled Polycarbonate
Temperature Range: Up to 125°C (257°F)
Flammability Rating: UL94 V-O
Color: Black Housing with Tan Cover

Terminal Type: Screw / Pressure Plate
Terminal Screw Size: M3.5
Recommended Torque: 0.8Nm
Max. PCB's: (2) Vertical
Mounting: 35mm DIN Rail

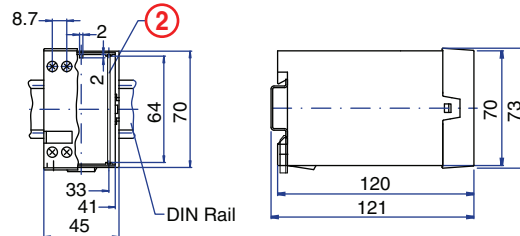
ORDERING INFORMATION

| Part Number | Type | Description | PCB Connection |
|-------------|--------|-------------|-------------------------|
| 90.230 | KO4762 | Solid Cover | Wire Jumper/ Fast On |

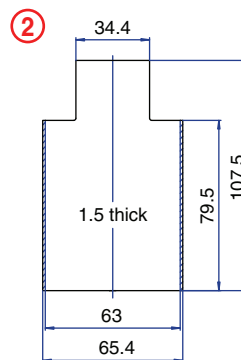
ACCESSORIES

| Accessories | Part Number | Type |
|------------------|-------------|-------------|
| 1 Meter DIN Rail | 2511120/1M | TS35x7.5/1M |

ENCLOSURE DRAWING (To convert to inches divide by 25.4.)



PCB DRAWING (To convert to inches divide by 25.4.)



▨ unused space

16 Terminal

Solder Connection



TECHNICAL INFORMATION

Electrical:

16A, 300V, 22-12 AWG

Housing Material:

Glass-filled Polycarbonate

Cover Material:

Glass-filled Polycarbonate

Temperature Range:

Up to 125°C (257°F)

Flammability Rating:

UL94 V-O (V-2 clear panel)

Color:

Black Housing with Tan Cover

Terminal Type:

Box Clamp

Terminal Screw Size:

M3.5

Recommended Torque:

0.8Nm

Max. PCB's:

(2) Vertical

(1) Horizontal

Mounting:

35mm DIN Rail

ORDERING INFORMATION

| Part Number | Type | Description | PCB Connection |
|-------------|---------|------------------------------|-------------------------|
| 90.290 | KO4763A | Solid Cover | Machine Solderable Pins |
| 90.291 | KO4763A | Removable Cover Panel, Tan | Machine Solderable Pins |
| 90.292 | KO4763A | Removable Cover Panel, Clear | Machine Solderable Pins |

ACCESSORIES

| Accessories | Part Number | Type |
|------------------|-------------|-------------|
| 1 Meter DIN Rail | 2511120/1M | TS35x7.5/1M |

ENCLOSURE DRAWING (To convert to inches divide by 25.4.)



PCB DRAWING (To convert to inches divide by 25.4.)



unused space

16 Terminal

Solder/Tab Connection



TECHNICAL INFORMATION

Electrical:

16A, 300V, 22-12 AWG

Housing Material:

Glass-filled Polycarbonate

Cover Material:

Glass-filled Polycarbonate

Temperature Range:

Up to 125°C (257°F)

Flammability Rating:

UL94 V-O (V-2 clear panel)

Color:

Black Housing with Tan Cover

Terminal Type:

Box Clamp

Terminal Screw Size:

M3.5

Recommended Torque:

0.8Nm

Max. PCB's:

(2) Vertical

Mounting:

35mm DIN Rail

ORDERING INFORMATION

| Part Number | Type | Description | PCB Connection |
|-------------|---------|------------------------------|----------------|
| 90.300 | KO4763B | Solid Cover | Wire Jumper |
| 90.301 | KO4763B | Removable Cover Panel, Tan | Wire Jumper |
| 90.302 | KO4763B | Removable Cover Panel, Clear | Wire Jumper |

ACCESSORIES

| Accessories | Part Number | Type |
|------------------|-------------|-------------|
| 1 Meter DIN Rail | 2511120/1M | TS35x7.5/1M |

ENCLOSURE DRAWING (To convert to inches divide by 25.4.)



PCB DRAWING (To convert to inches divide by 25.4.)



unused space

16 Terminal

Pluggable
Connection



TECHNICAL INFORMATION

| | |
|---|--|
| Electrical: 10A, 300V, 22-12 AWG | Terminal Type: Box Clamp |
| Housing Material: Glass-filled Polycarbonate | Terminal Screw Size: M3.5 |
| Cover Material: Glass-filled Polycarbonate | Recommended Torque: 0.8Nm |
| Temperature Range: Up to 125°C (257°F) | Max. PCB's: (2) Vertical (1) Horizontal |
| Flammability Rating: UL94 V-O (V-2 clear panel) | Mounting: 35mm DIN Rail |
| Color: Black Housing with Tan Cover | |

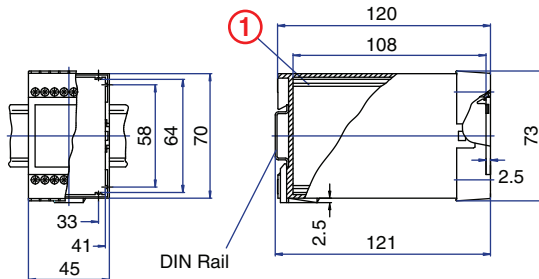
ORDERING INFORMATION

| Part Number | Type | Description | PCB Connection |
|-------------|---------|------------------------------|----------------|
| 90.320 | KO4763P | Solid Cover | Card Edge |
| 90.321 | KO4763P | Removable Cover Panel, Tan | Card Edge |
| 90.322 | KO4763P | Removable Cover Panel, Clear | Card Edge |

ACCESSORIES

| Accessories | Part Number | Type |
|------------------|-------------|-------------|
| 1 Meter DIN Rail | 2511120/1M | TS35x7.5/1M |

ENCLOSURE DRAWING (To convert to inches divide by 25.4.)

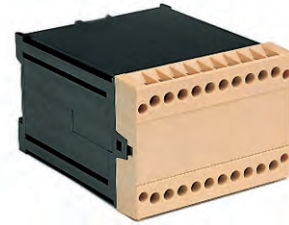


PCB DRAWING (To convert to inches divide by 25.4.)



20 Terminal

Pluggable
Connection



TECHNICAL INFORMATION

| | |
|---|---|
| Electrical: 10A, 300V, 22-14 AWG | Terminal Type: Screw / Pressure Plate |
| Housing Material: Glass-filled Polycarbonate | Terminal Screw Size: M3.5 |
| Cover Material: Glass-filled Polycarbonate | Recommended Torque: 0.8Nm |
| Temperature Range: Up to 125°C (257°F) | Max. PCB's: (5) Vertical (1) Horizontal behind cover |
| Flammability Rating: UL94 V-O (V-2 clear panel) | Mounting: 35mm DIN Rail or optional panel mounting* |
| Color: Black Housing with Tan Cover | |

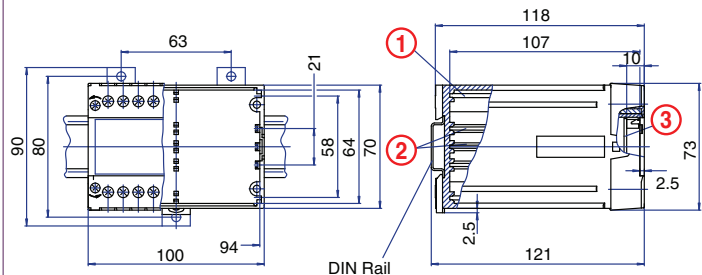
ORDERING INFORMATION

| Part Number | Type | Description | PCB Connection |
|-------------|---------|------------------------------|---------------------------|
| 90.350 | KO4718P | Solid Cover | Card Edge/ Wire Jumper |
| 90.351 | KO4718P | Removable Cover Panel, Tan | Card Edge/ Wire Jumper |
| 90.352 | KO4718P | Removable Cover Panel, Clear | Card Edge/ Wire Jumper |

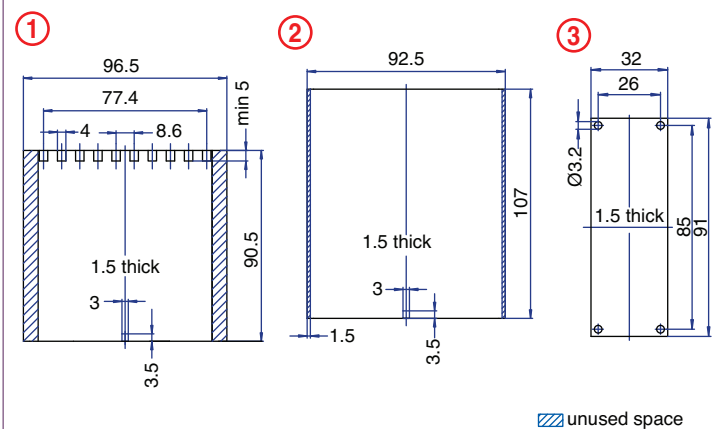
ACCESSORIES

| Accessories | Part Number | Type |
|---------------------------|-------------|-------------|
| 1 Meter DIN Rail | 2511120/1M | TS35x7.5/1M |
| *Panel Mount Tab (need 2) | 93.001.2 | PMA |

ENCLOSURE DRAWING (To convert to inches divide by 25.4.)



PCB DRAWING (To convert to inches divide by 25.4.)



22 Terminal

Solder
Connection



TECHNICAL INFORMATION

Electrical:

16A, 300V, 22-12 AWG

Housing Material:

Glass-filled Polycarbonate

Cover Material:

Glass-filled Polycarbonate

Temperature Range:

Up to 125°C (257°F)

Flammability Rating:

UL94 V-O (V-2 Clear Panel)

Color:

Black Housing with Tan Cover

Terminal Type:

Box Clamp

Terminal Screw Size:

M3.5

Recommended Torque:

0.8Nm

Max. PCB's:

(5) Vertical

(1) Behind cover

Mounting:

35mm DIN Rail or optional panel mounting*

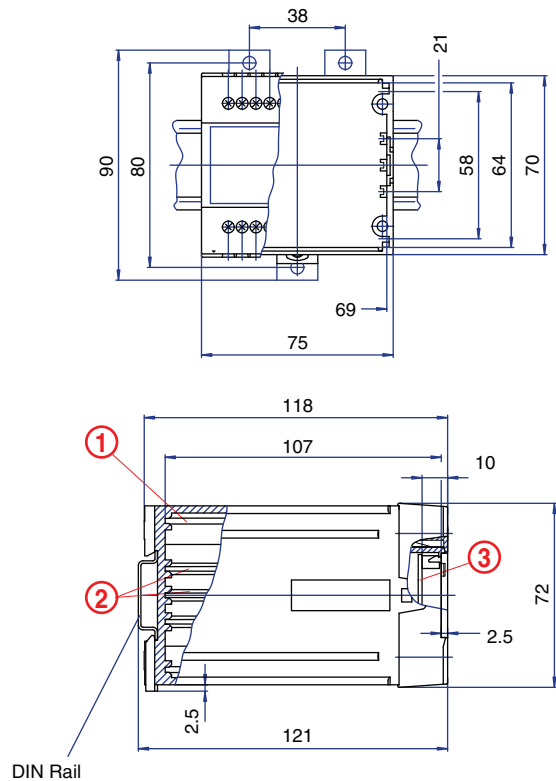
ORDERING INFORMATION

| Part Number | Type | Description | PCB Connection |
|-------------|---------|------------------------------|-------------------------|
| 90.380 | KO4713A | Solid Cover | Machine Solderable Pins |
| 90.381 | KO4713A | Removable Cover Panel, Tan | Machine Solderable Pins |
| 90.382 | KO4713A | Removable Cover Panel, Clear | Machine Solderable Pins |

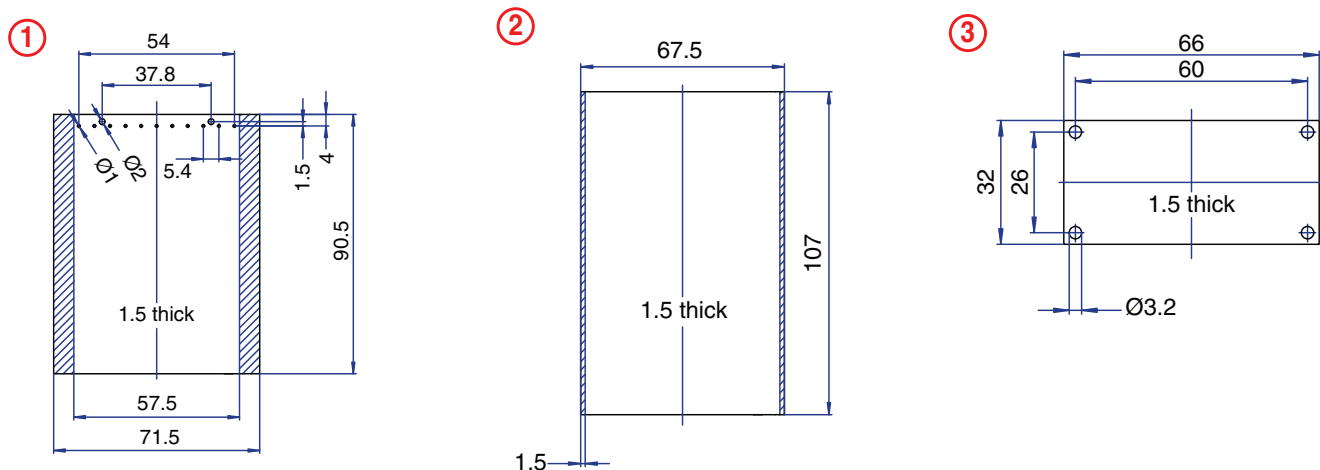
ACCESSORIES

| Accessories | Part Number | Type |
|---------------------------|-------------|-------------|
| 1 Meter DIN Rail | 2511120/1M | TS35x7.5/1M |
| *Panel Mount Tab (need 2) | 93.001.2 | PMA |

ENCLOSURE DRAWING (To convert to inches divide by 25.4.)



PCB DRAWING (To convert to inches divide by 25.4.)



▨ unused space

KO4700 Series

22 Terminal

Pluggable
Connection



TECHNICAL INFORMATION

Electrical:

10A, 300V, 22-12 AWG

Housing Material:

Glass-filled Polycarbonate

Cover Material:

Glass-filled Polycarbonate

Temperature Range:

Up to 125°C (257°F)

Flammability Rating:

UL94 V-O (V-2 clear panel)

Color:

Black Housing with Tan Cover

Terminal Type:

Box Clamp

Terminal Screw Size:

M3.5

Recommended Torque:

0.8Nm

Max. PCB's:

(5) Vertical

(1) Behind cover

Mounting:

35mm DIN Rail or optional panel mounting*

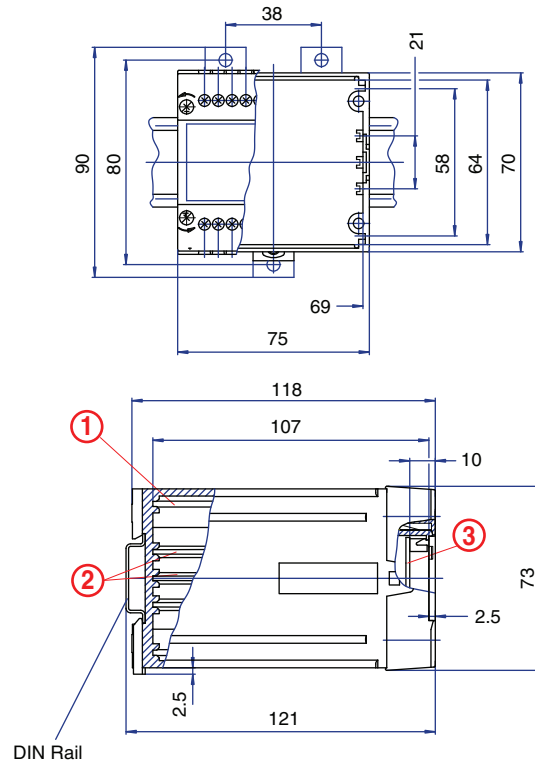
ORDERING INFORMATION

| Part Number | Type | Description | PCB Connection |
|-------------|---------|------------------------------|----------------|
| 90.410 | KO4713P | Solid Cover | Card Edge |
| 90.411 | KO4713P | Removable Cover Panel, Tan | Card Edge |
| 90.412 | KO4713P | Removable Cover Panel, Clear | Card Edge |

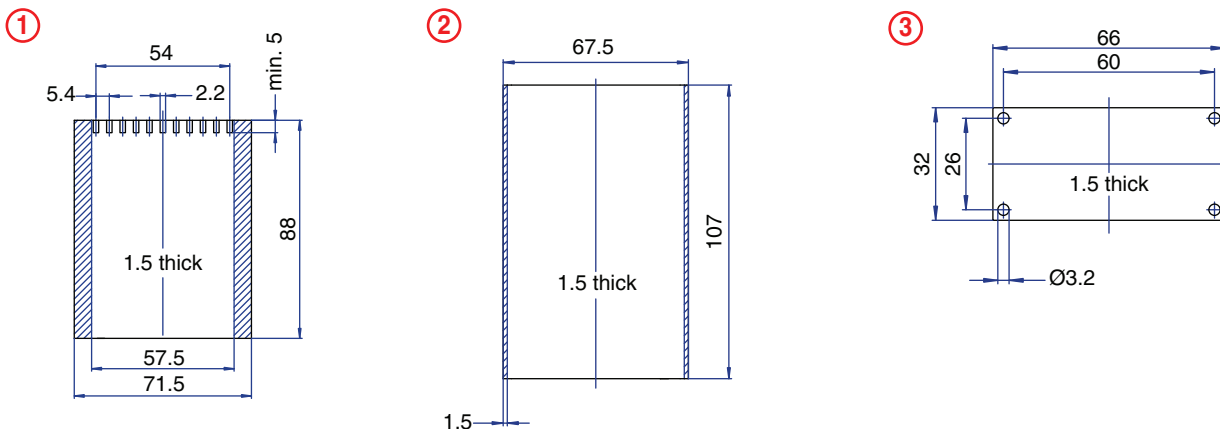
ACCESSORIES

| Accessories | Part Number | Type |
|---------------------------|-------------|-------------|
| 1 Meter DIN Rail | 2511120/1M | TS35x7.5/1M |
| *Panel Mount Tab (need 2) | 93.001.2 | PMA |

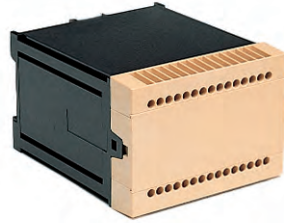
ENCLOSURE DRAWING (To convert to inches divide by 25.4.)



PCB DRAWING (To convert to inches divide by 25.4.)



▨ unused space



30 Terminal
Solder
Connection

TECHNICAL INFORMATION

| | |
|---|---|
| Electrical: 16A, 300V, 22-12 AWG | Terminal Type: Box Clamp |
| Housing Material: Glass-filled Polycarbonate | Terminal Screw Size: M3.5 |
| Cover Material: Glass-filled Polycarbonate | Recommended Torque: 0.8Nm |
| Temperature Range: Up to 125°C (257°F) | Max. PCB's: (5) Vertical |
| Flammability Rating: UL94 V-O (V-2 clear panel) | Mounting: 35mm DIN Rail or optional panel mounting* |
| Color: Black Housing with Tan Cover | |

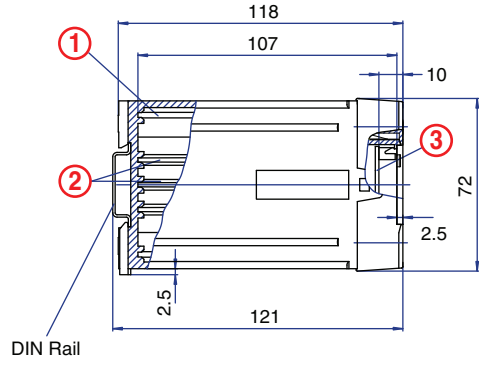
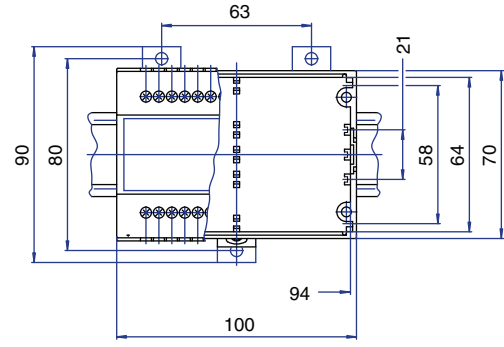
ORDERING INFORMATION

| Part Number | Type | Description | PCB Connection |
|-------------|---------|------------------------------|-------------------------|
| 90.440 | KO4717A | Solid Cover | Machine Solderable Pins |
| 90.441 | KO4717A | Removable Cover Panel, Tan | Machine Solderable Pins |
| 90.442 | KO4717A | Removable Cover Panel, Clear | Machine Solderable Pins |

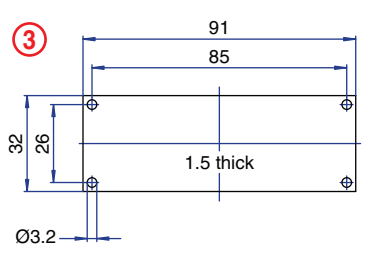
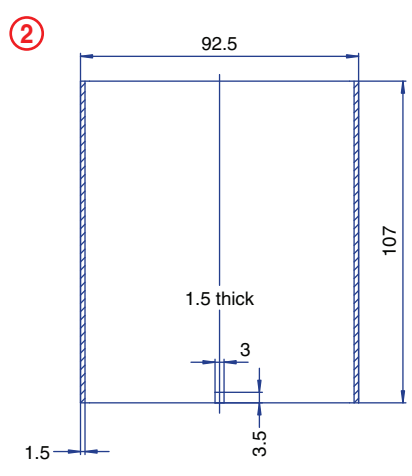
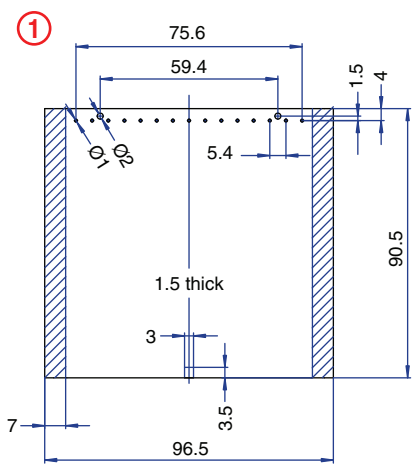
ACCESSORIES

| Accessories | Part Number | Type |
|---------------------------|-------------|-------------|
| 1 Meter DIN Rail | 2511120/1M | TS35x7.5/1M |
| *Panel Mount Tab (need 2) | 93.001.2 | PMA |

ENCLOSURE DRAWING (To convert to inches divide by 25.4.)



PCB DRAWING (To convert to inches divide by 25.4.)



unused space

KO4700 Series

30 Terminal

Pluggable
Connection



TECHNICAL INFORMATION

| | |
|---|--|
| Electrical: 10A, 300V, 22-12 AWG | Terminal Type: Box Clamp |
| Housing Material: Glass-filled Polycarbonate | Terminal Screw Size: M3.5 |
| Cover Material: Glass-filled Polycarbonate | Recommended Torque: 0.8Nm |
| Temperature Range: Up to 125°C (257°F) | Max. PCB's: (5) Vertical (1) Behind Cover |
| Flammability Rating: UL94 V-O (V-2 clear panel) | Mounting: 35mm DIN Rail or optional panel mounting* |
| Color: Black Housing with Tan Cover | |

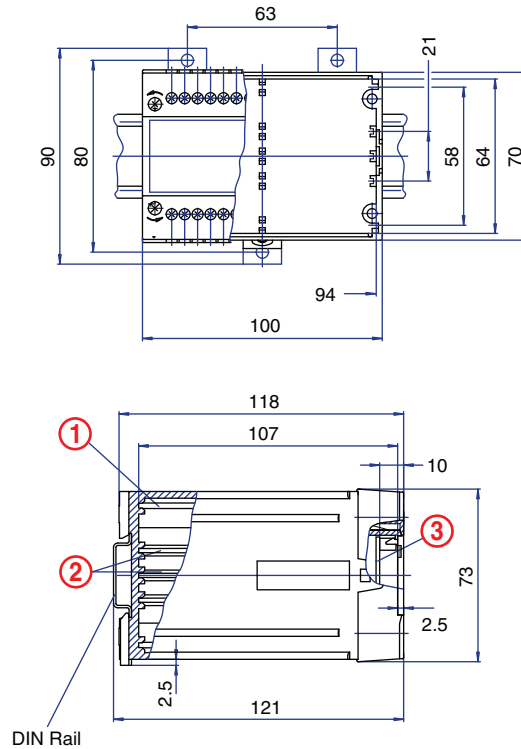
ORDERING INFORMATION

| Part Number | Type | Description | PCB Connection |
|-------------|---------|---------------------------------|----------------|
| 90.470 | KO4717P | Solid Cover | Card Edge |
| 90.471 | KO4717P | Removable Cover Panel, Tan | Card Edge |
| 90.472 | KO4717P | Removable Cover Panel, Clear | Card Edge |

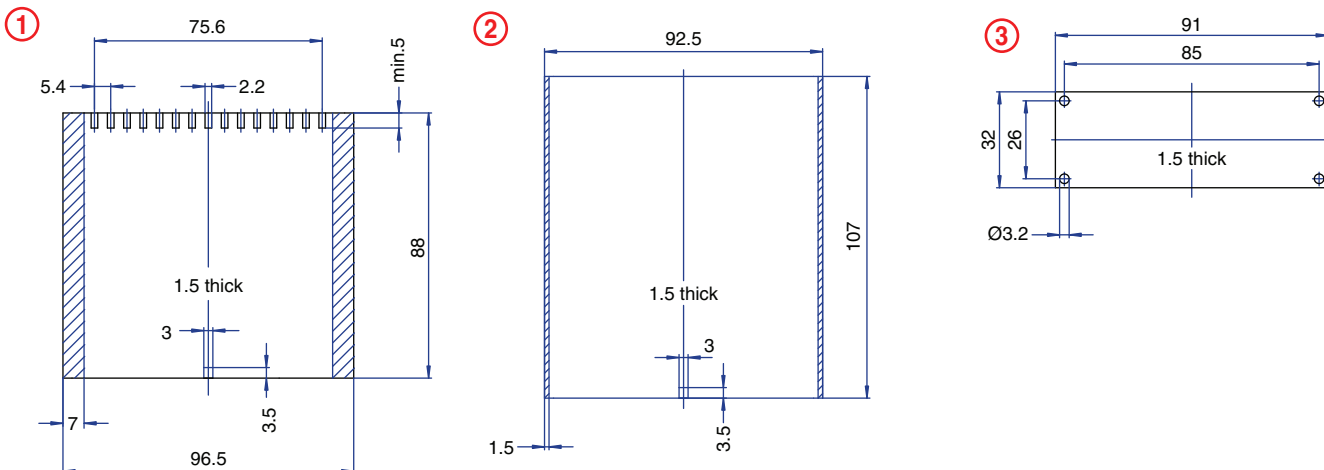
ACCESSORIES

| Accessories | Part Number | Type |
|---------------------------|-------------|-------------|
| 1 Meter DIN Rail | 2511120/1M | TS35x7.5/1M |
| *Panel Mount Tab (need 2) | 93.001.2 | PMA |

ENCLOSURE DRAWING (To convert to inches divide by 25.4.)



PCB DRAWING (To convert to inches divide by 25.4.)



▨ unused space



32 Terminal
Pluggable and
Solder Connection

TECHNICAL INFORMATION

| | |
|---|--|
| Electrical: 10A, 300V, 22-14 AWG | Terminal Type: Screw/ Pressure Plate |
| Housing Material: Glass-filled Polycarbonate | Terminal Screw Size: M3.5 |
| Cover Material: Glass-filled Polycarbonate | Recommended Torque: 0.8Nm |
| Temperature Range: Up to 125°C (257°F) | Max. PCB's: (5) Vertical (1) Behind cover (1) Base Mount |
| Flammability Rating: UL94 V-O (V-2 clear panel) | Mounting: 35mm DIN Rail or optional panel mounting* |
| Color: Black Housing with Tan Cover | |

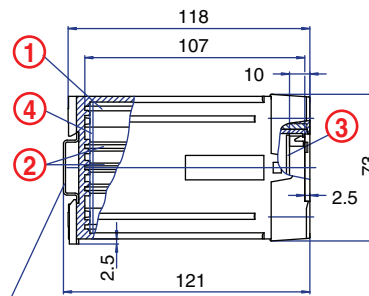
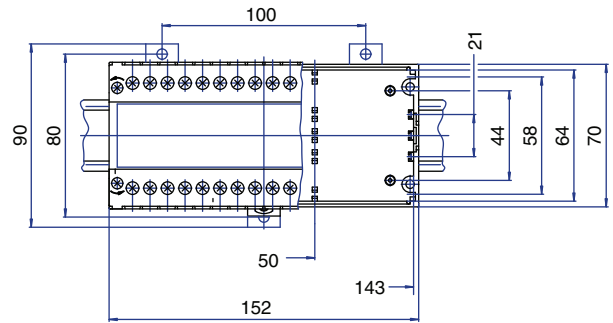
ORDERING INFORMATION

| Part Number | Type | Description | PCB Connection |
|-------------|---------|---------------------------------|---------------------------|
| 90.500 | KO4719P | Solid Cover | Card Edge/ Wire Jumper |
| 90.501 | KO4719P | Removable Cover Panel, Tan | Card Edge/ Wire Jumper |
| 90.502 | KO4719P | Removable Cover Panel, Clear | Card Edge/ Wire Jumper |

ACCESSORIES

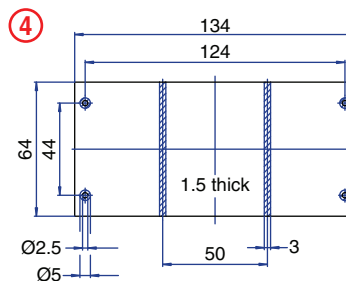
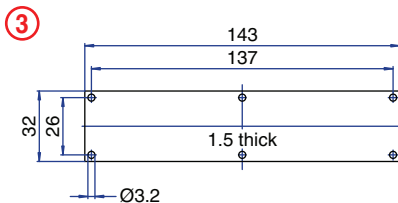
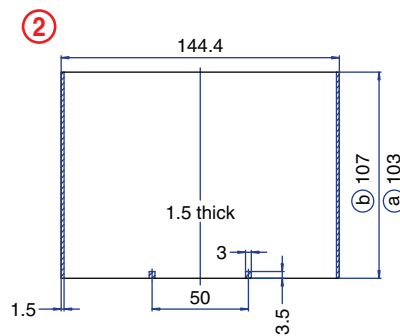
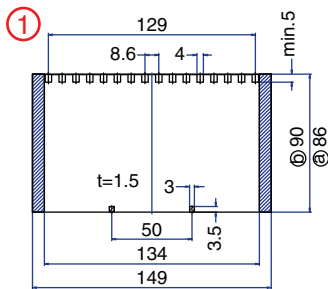
| Accessories | Part Number | Type |
|---------------------------|-------------|-------------|
| 1 Meter DIN Rail | 2511120/1M | TS35x7.5/1M |
| *Panel Mount Tab (need 3) | 93.001.2 | PMA |

ENCLOSURE DRAWING (To convert to inches divide by 25.4.)



DIN Rail

PCB DRAWING (To convert to inches divide by 25.4.)



▨ unused space
 (a) with base mount PCB
 (b) without base mount PCB

KO4700 Series

42 Terminal Pluggable and Solder Connection



TECHNICAL INFORMATION

| | |
|---|--|
| Electrical: 10A, 300V, 22-14 AWG | Terminal Type: Screw/ Pressure Plate |
| Housing Material: Glass-filled Polycarbonate | Terminal Screw Size: M3.5 |
| Cover Material: Glass-filled Polycarbonate | Recommended Torque: 0.8Nm |
| Temperature Range: Up to 125°C (257°F) | Max. PCB's: (5) Vertical (1) Behind cover |
| Flammability Rating: UL94 V-O (V-2 clear panel) | Mounting: 35mm DIN Rail or optional panel mounting* |
| Color: Black Housing with Tan Cover | |

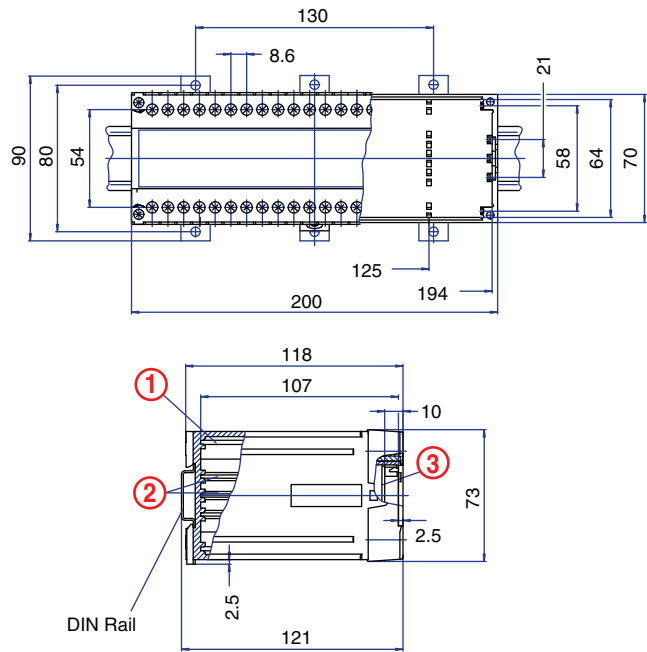
ORDERING INFORMATION

| Part Number | Type | Description | PCB Connection |
|-------------|---------|---------------------------------|---------------------------|
| 90.530 | KO4720P | Solid Cover | Card Edge/ Wire Jumper |
| 90.531 | KO4720P | Removable Cover Panel, Tan | Card Edge/ Wire Jumper |
| 90.532 | KO4720P | Removable Cover Panel, Clear | Card Edge/ Wire Jumper |

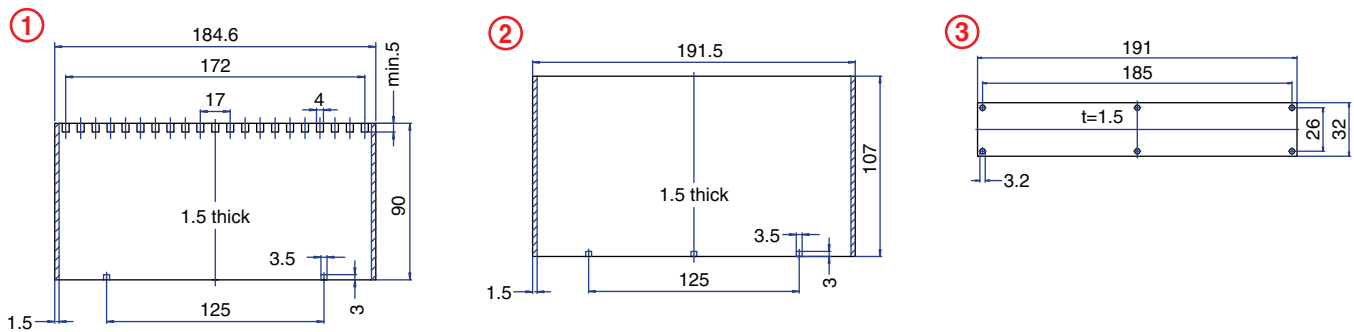
ACCESSORIES

| Accessories | Part Number | Type |
|---------------------------|-------------|-------------|
| 1 Meter DIN Rail | 2511120/1M | TS35x7.5/1M |
| *Panel Mount Tab (need 3) | 93.001.2 | PMA |

ENCLOSURE DRAWING (To convert to inches divide by 25.4.)



PCB DRAWING (To convert to inches divide by 25.4.)



▨ unused space

42 Terminal
Pluggable and Solder Connection



TECHNICAL INFORMATION

- | | |
|--|---|
| Electrical: 10A, 300V, 22-14 AWG | Terminal Type: Screw/ Pressure Plate |
| Housing Material: Glass-filled Polycarbonate | Terminal Screw Size: M3.5 |
| Cover Material: Glass-filled Polycarbonate | Recommended Torque: 0.8Nm |
| Temperature Range: Up to 125°C (257°F) | Max. PCB's: (11) Vertical (1) Base Mount |
| Flammability Rating: UL94 V-O | Mounting: 35mm DIN Rail or optional panel mounting* |
| Color: Black Housing with Tan Cover | |

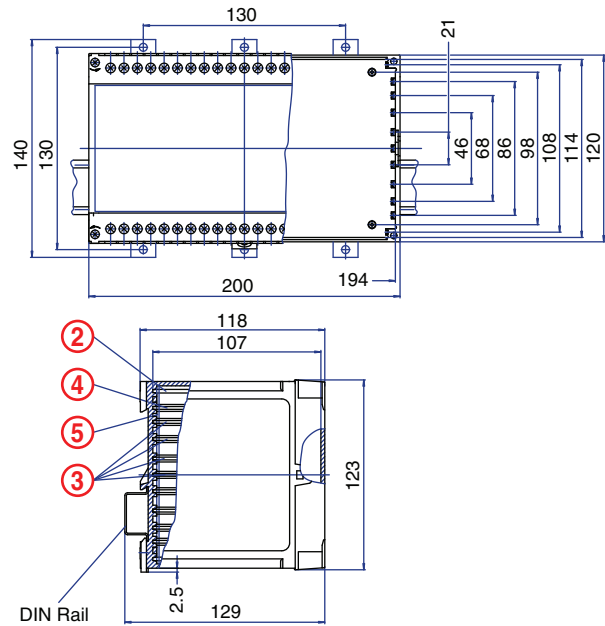
ORDERING INFORMATION

| Part Number | Type | Description | PCB Connection |
|-------------|----------|-------------|---------------------------|
| 90.560 | KO4722SP | Solid Cover | Card Edge/ Wire Jumper |

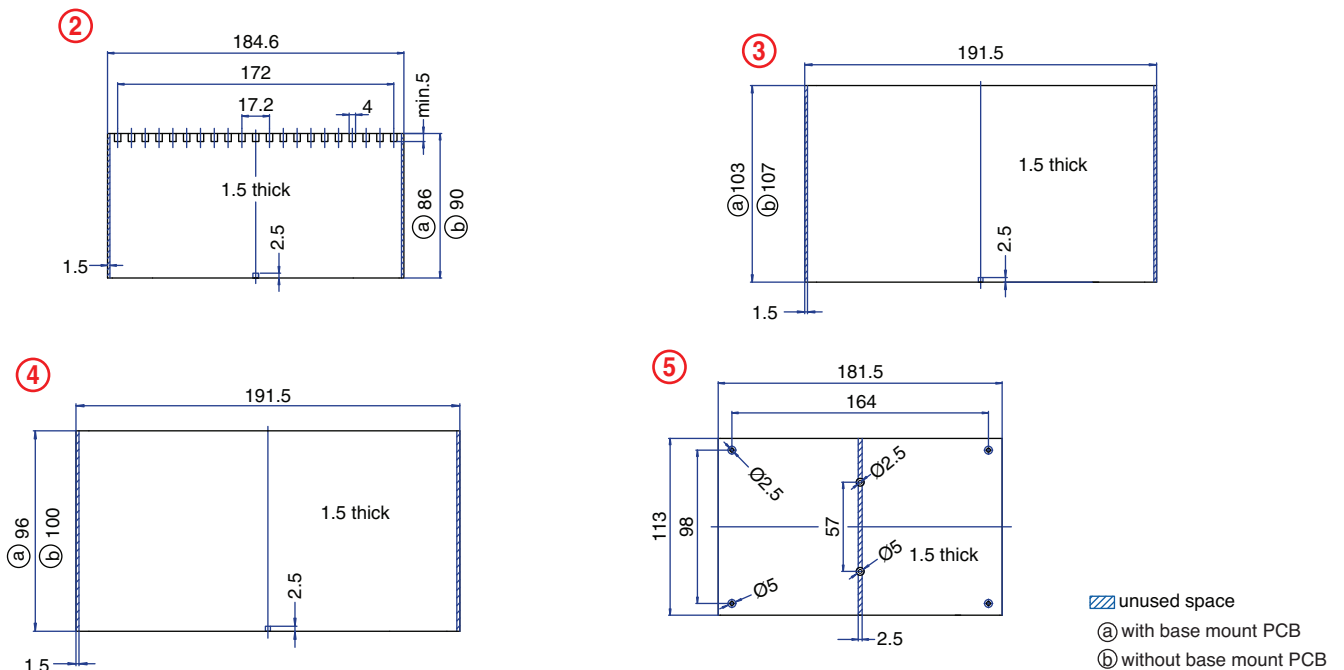
ACCESSORIES

| Accessories | Part Number | Type |
|---------------------------|-------------|------------|
| 1 Meter DIN Rail | CA701/15-S | TS35x15/1M |
| *Panel Mount Tab (need 3) | 93.001.2 | PMA |

ENCLOSURE DRAWING (To convert to inches divide by 25.4.)



PCB DRAWING (To convert to inches divide by 25.4.)



KO4700 Series

50 Terminal

Solder Connection



TECHNICAL INFORMATION

| | |
|---|---|
| Electrical: 16A, 300V, 22-12 AWG | Terminal Type: Box Clamp |
| Housing Material: Glass-filled Polycarbonate | Terminal Screw Size: M3.5 |
| Cover Material: Glass-filled Polycarbonate | Recommended Torque: 0.8Nm |
| Temperature Range: Up to 125°C (257°F) | Max. PCB's: (5) Vertical |
| Flammability Rating: UL94 V-O (V-2 Clear Panel) | (1) Behind Cover |
| Color: Black Housing with Tan Cover | (1) Base Mount |
| | Mounting: 35mm DIN Rail or optional panel mounting* |

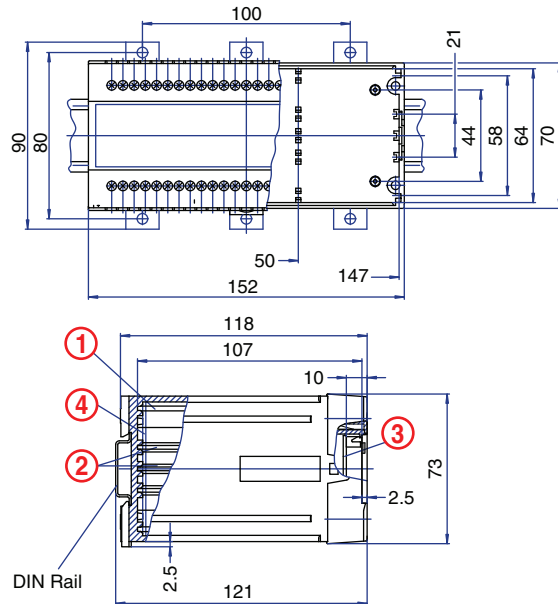
ORDERING INFORMATION

| Part Number | Type | Description | PCB Connection |
|-------------|---------|------------------------------|-------------------------|
| 90.590 | KO4716A | Solid Cover | Machine Solderable Pins |
| 90.591 | KO4716A | Removable Cover Panel, Tan | Machine Solderable Pins |
| 90.592 | KO4716A | Removable Cover Panel, Clear | Machine Solderable Pins |

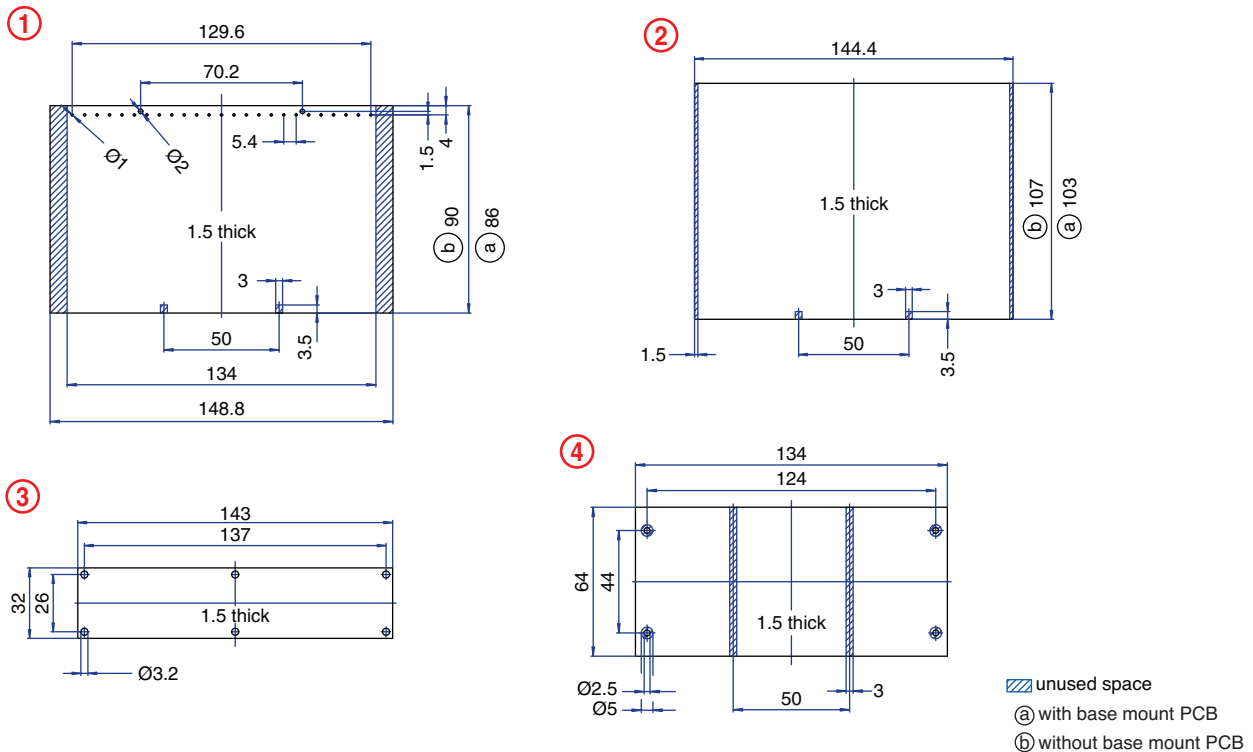
ACCESSORIES

| Accessories | Part Number | Type |
|---------------------------|-------------|-------------|
| 1 Meter DIN Rail | 2511120/1M | TS35x7.5/1M |
| *Panel Mount Tab (need 3) | 93.001.2 | PMA |

ENCLOSURE DRAWING (To convert to inches divide by 25.4.)



PCB DRAWING (To convert to inches divide by 25.4.)



50 Terminal

Pluggable
Connection



TECHNICAL INFORMATION

| | |
|---|--|
| Electrical: 10A, 300V, 22-12 AWG | Terminal Type: Box Clamp |
| Housing Material: Glass-filled Polycarbonate | Terminal Screw Size: M3.5 |
| Cover Material: Glass-filled Polycarbonate | Recommended Torque: 0.8Nm |
| Temperature Range: Up to 125°C (257°F) | Max. PCB's: (5) Vertical (1) Behind cover (1) Base Mount |
| Flammability Rating: UL94 V-O (V-2 Clear Panel) | Mounting: 35mm DIN Rail or optional panel mounting* |
| Color: Black Housing with Tan Cover | |

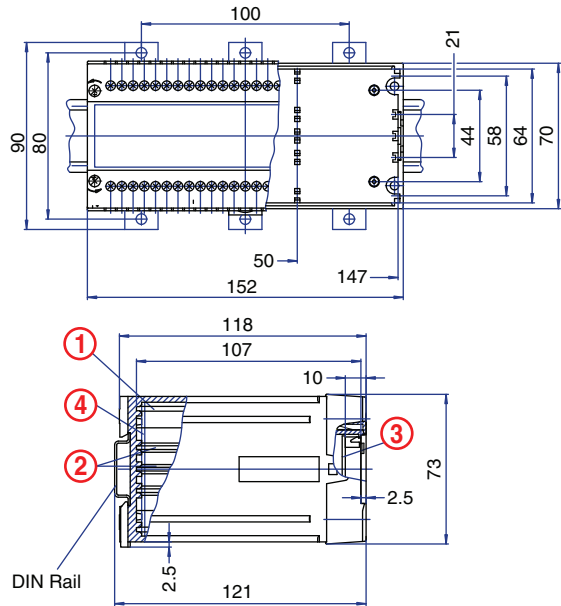
ORDERING INFORMATION

| Part Number | Type | Description | PCB Connection |
|-------------|---------|---------------------------------|----------------|
| 90.620 | KO4716P | Solid Cover | Card Edge |
| 90.621 | KO4716P | Removable Cover Panel, Tan | Card Edge |
| 90.622 | KO4716P | Removable Cover Panel, Clear | Card Edge |

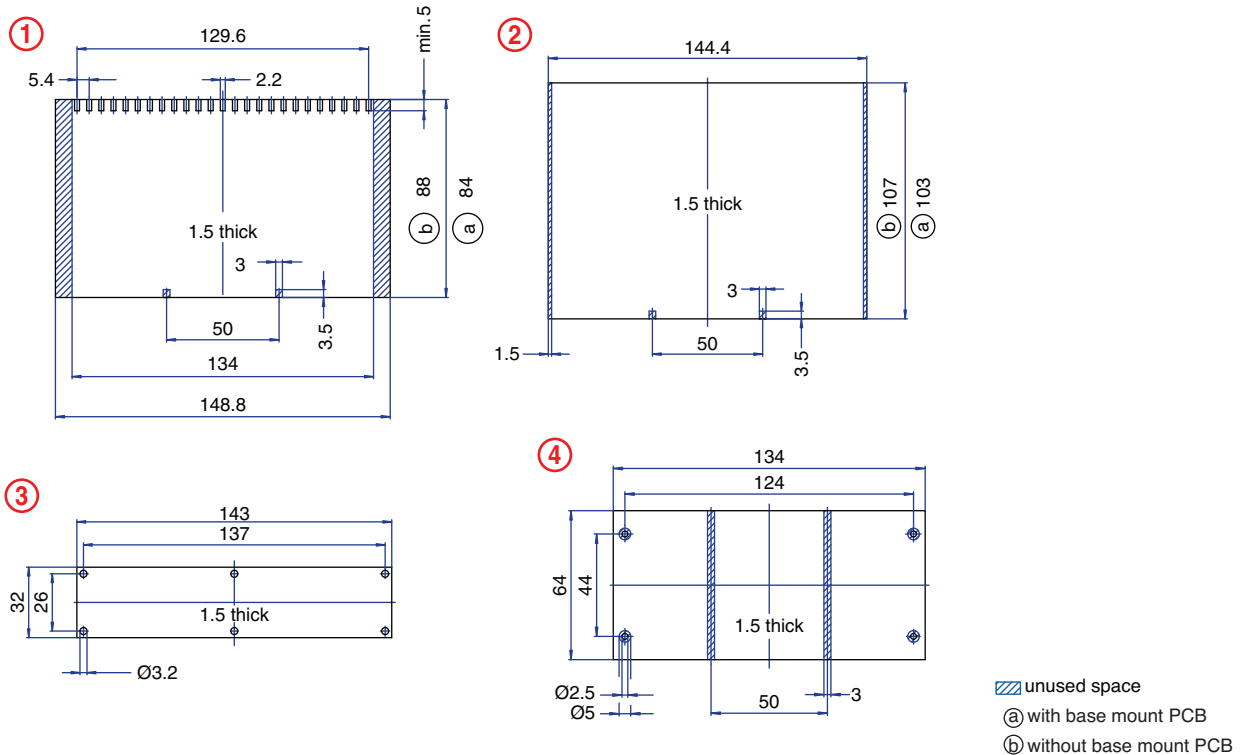
ACCESSORIES

| Accessories | Part Number | Type |
|---------------------------|-------------|-------------|
| 1 Meter DIN Rail | 2511120/1M | TS35x7.5/1M |
| *Panel Mount Tab (need 3) | 93.001.2 | PMA |

ENCLOSURE DRAWING (To convert to inches divide by 25.4.)



PCB DRAWING (To convert to inches divide by 25.4.)



66 Terminal

Pluggable
Connection



TECHNICAL INFORMATION

| | |
|--|--|
| Electrical: 10A, 300V, 22-12 AWG | Terminal Type: Box Clamp |
| Housing Material: Glass-filled Polycarbonate | Terminal Screw Size: M3.5 |
| Cover Material: Glass-filled Polycarbonate | Recommended Torque: 0.8Nm |
| Temperature Range: Up to 125°C (257°F) | Max. PCB's: (11) Vertical (1) Base Mount |
| Flammability Rating: UL94 V-O | Mounting: 35mm DIN Rail or optional panel mounting* |
| Color: Black Housing with Tan Cover | |

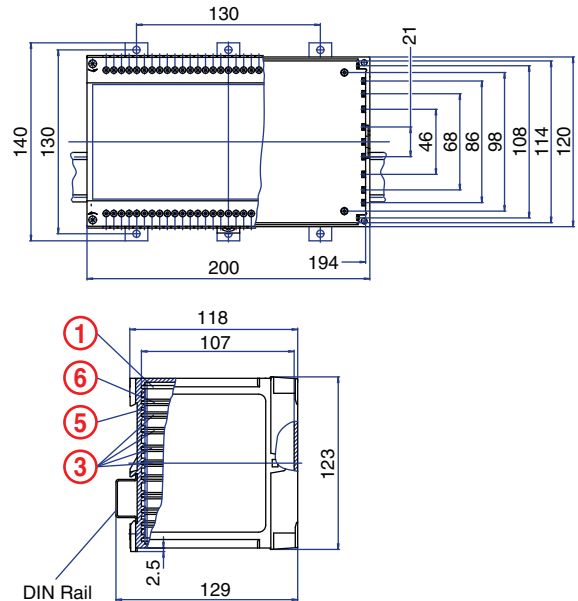
ORDERING INFORMATION

| Part Number | Type | Description | PCB Connection |
|-------------|----------|-------------|----------------|
| 90.710 | KO4723SP | Solid Cover | Card Edge |

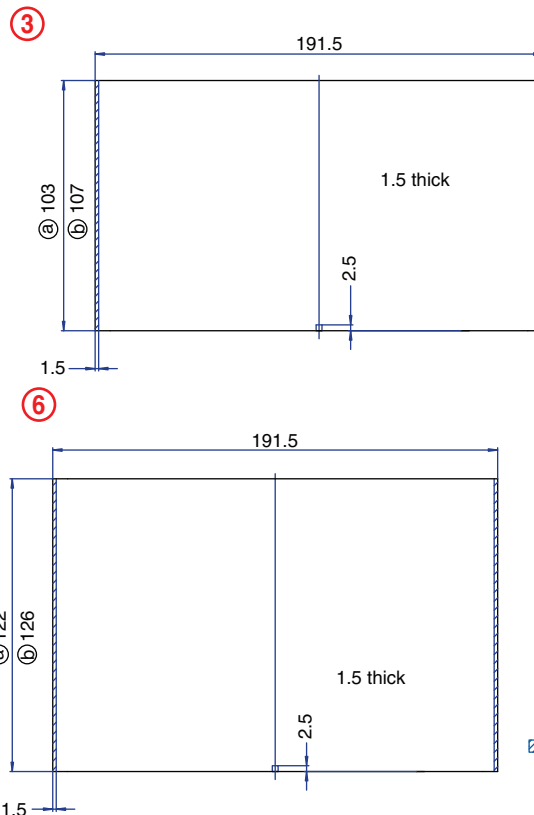
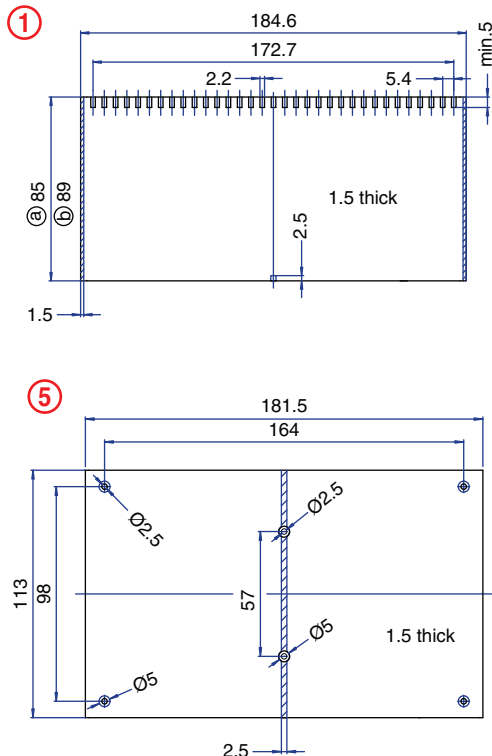
ACCESSORIES

| Accessories | Part Number | Type |
|---------------------------|-------------|-------------|
| 1 Meter DIN Rail | 2511120/1M | TS35x7.5/1M |
| *Panel Mount Tab (need 3) | 93.001.2 | PMA |

ENCLOSURE DRAWING (To convert to inches divide by 25.4.)



PCB DRAWING (To convert to inches divide by 25.4.)



unused space
 @ with base mount PCB
 Ⓟ without base mount PCB

84 Terminal Pluggable and Solder Connection



TECHNICAL INFORMATION

| | |
|--|--|
| Electrical: 10A, 300V, 22-14 AWG | Terminal Type: Screw / Pressure Plate |
| Housing Material: Glass-filled Polycarbonate | Terminal Screw Size: M3.5 |
| Cover Material: Glass-filled Polycarbonate | Recommended Torque: 0.8Nm |
| Temperature Range: Up to 125°C (257°F) | Max. PCB's: (11) Vertical (1) Base Mount |
| Flammability Rating: UL94 V-O | Mounting: 35mm DIN Rail or optional panel mounting* |
| Color: Black Housing with Tan Cover | |

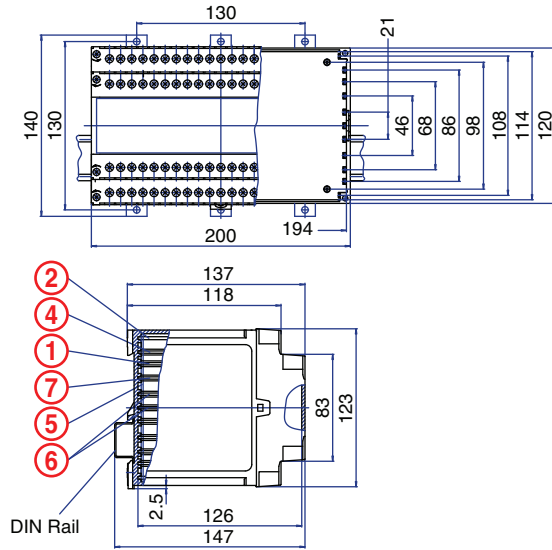
ORDERING INFORMATION

| Part Number | Type | Description | PCB Connection |
|-------------|----------|-------------|---------------------------|
| 90.740 | KO4722DP | Solid Cover | Card Edge/ Wire Jumper |

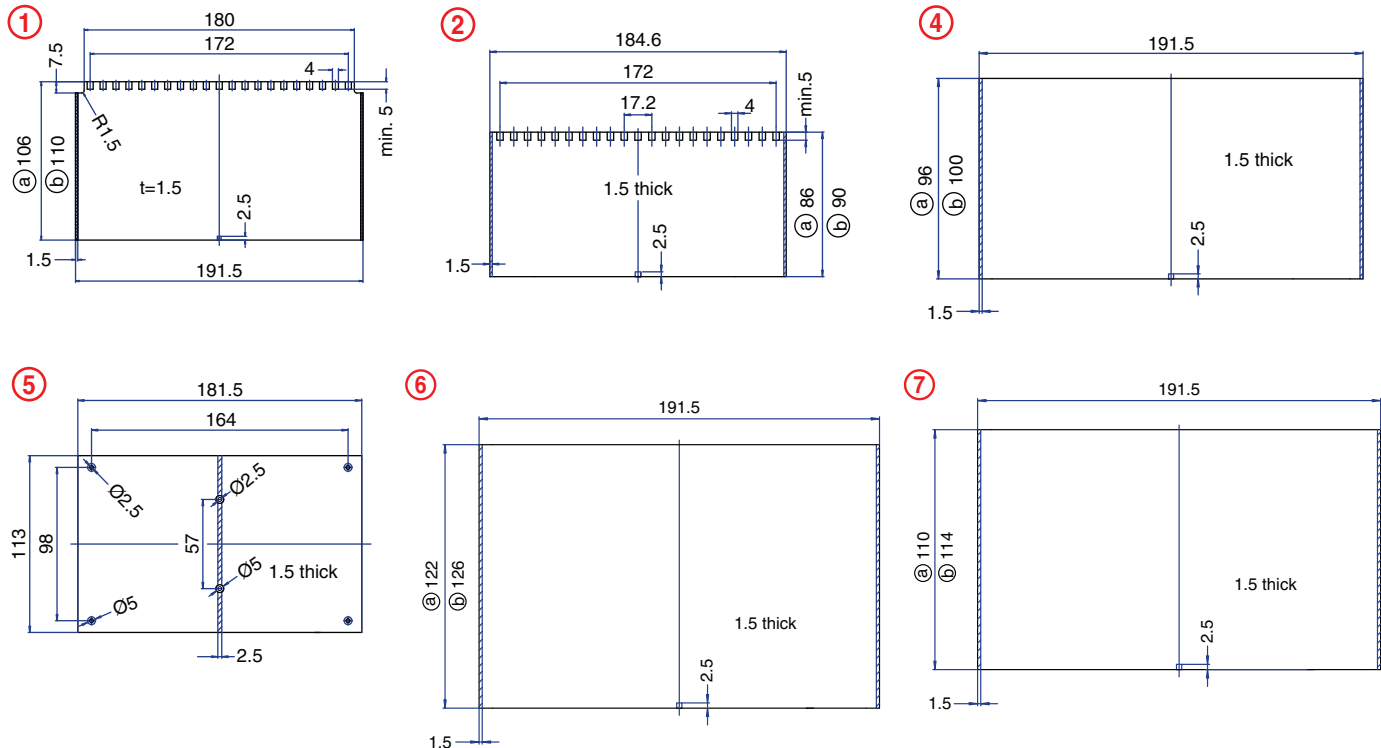
ACCESSORIES

| Accessories | Part Number | Type |
|---------------------------|-------------|------------|
| 1 Meter DIN Rail | CA701/15-S | TS35x15/1M |
| *Panel Mount Tab (need 3) | 93.001.2 | PMA |

ENCLOSURE DRAWING (To convert to inches divide by 25.4.)



PCB DRAWING (To convert to inches divide by 25.4.)



- unused space
- with base mount PCB
- without base mount PCB

132 Terminal

Pluggable
Connection



TECHNICAL INFORMATION

| | |
|--|--|
| Electrical: 10A, 300V, 22-12 AWG | Terminal Type: Box Clamp |
| Housing Material: Glass-filled Polycarbonate | Terminal Screw Size: M3.5 |
| Cover Material: Glass-filled Polycarbonate | Recommended Torque: 0.8Nm |
| Temperature Range: Up to 125°C (257°F) | Max. PCB's: (11) Vertical (1) Base Mount |
| Flammability Rating: UL94 V-O | Mounting: 35mm DIN Rail or optional panel mounting* |
| Color: Black Housing with Tan Cover | |

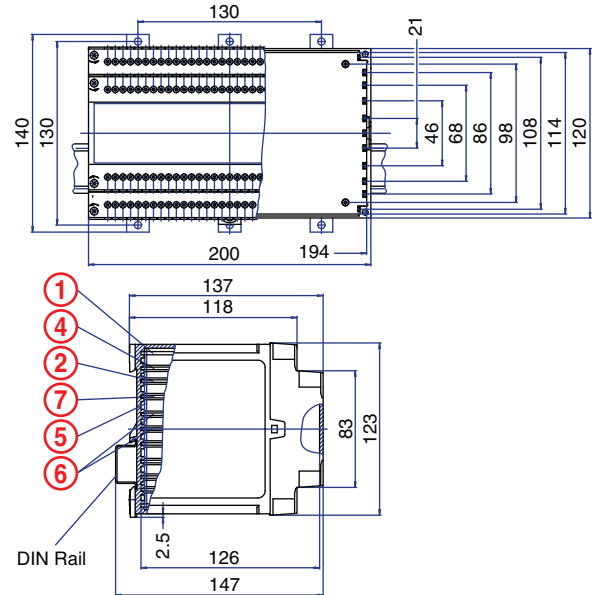
ORDERING INFORMATION

| Part Number | Type | Description | PCB Connection |
|-------------|----------|-------------|----------------|
| 90.770 | KO4723DP | Solid Cover | Card Edge |

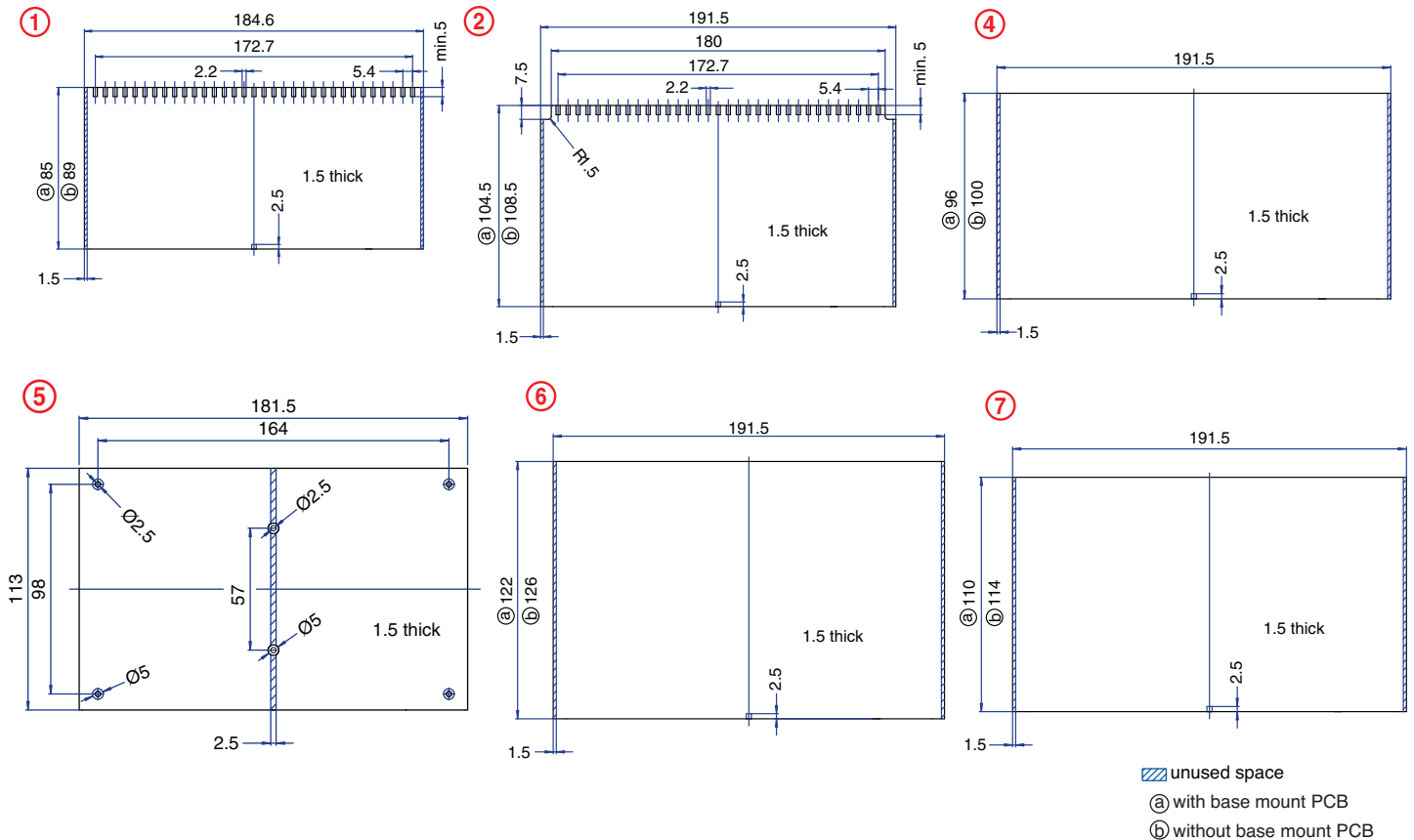
ACCESSORIES

| Accessories | Part Number | Type |
|---------------------------|-------------|------------|
| 1 Meter DIN Rail | CA701/15-S | TS35x15/1M |
| *Panel Mount Tab (need 3) | 93.001.2 | PMA |

ENCLOSURE DRAWING (To convert to inches divide by 25.4.)



PCB DRAWING (To convert to inches divide by 25.4.)



KO4700 Series - Modular

6 Terminal
with 6 High Current
Terminals
Solder Connection



TECHNICAL INFORMATION

| | |
|--|--|
| Electrical: 40A, 300V, 18-8 AWG | Terminal Type: Box Clamp |
| Housing Material: Glass-filled Polycarbonate | Terminal Screw Size: M3.5 |
| Cover Material: Glass-filled Polycarbonate | Recommended Torque: 0.8Nm |
| Temperature Range: Up to 125°C (257°F) | Max. PCB's: (2) Vertical (2) Horizontal |
| Flammability Rating: UL94 V-O | Mounting: 35mm DIN Rail or optional panel mounting* |
| Color: Black Housing with Tan Cover | |

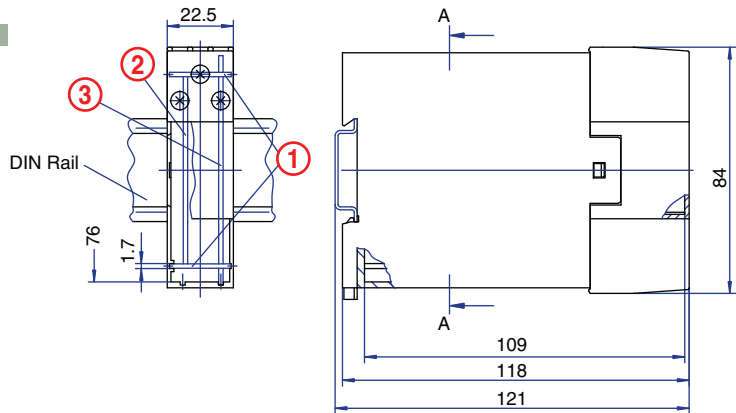
ORDERING INFORMATION

| Part Number | Type | Description |
|-------------|--------|--|
| 90.815 | KO4734 | Removable High Current Wire Jumper Terminals |

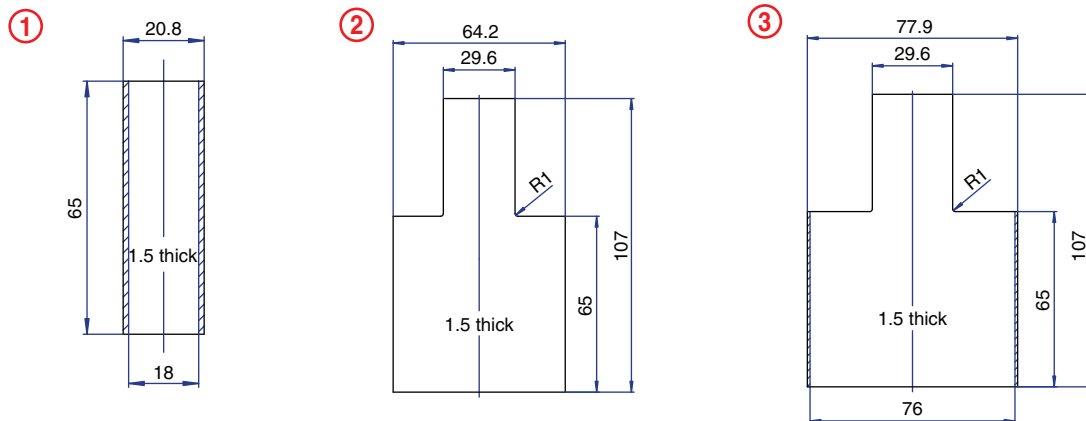
ACCESSORIES

| Accessories | Part Number | Type |
|------------------|-------------|-------------|
| 1 Meter DIN Rail | 2511120/1M | TS35x7.5/1M |
| *Panel Mount Tab | 93.001.2 | PMA |

ENCLOSURE DRAWING (To convert to inches divide by 25.4.)



PCB DRAWING (To convert to inches divide by 25.4.)



**14 Terminal
Maximum
Pluggable Card Edge
Connection**



TECHNICAL INFORMATION

| | |
|---|--|
| Electrical: see chart for Amperages, 300V, 22-12 AWG | Terminal Type: Box clamp |
| Housing Material: Glass-filled Polycarbonate | Terminal Screw Size: M3.5 |
| Cover Material: Glass-filled Polycarbonate | Recommended Torque: 0.8Nm |
| Temperature Range: Up to 125°C (257°F) | Max. PCB's: (2) Vertical (2) Horizontal |
| Flammability Rating: UL94 V-0 (V-2 Clear Panel) | Mounting: 35mm DIN Rail or optional panel mounting* |
| Color: Black Housing with Tan Cover | |

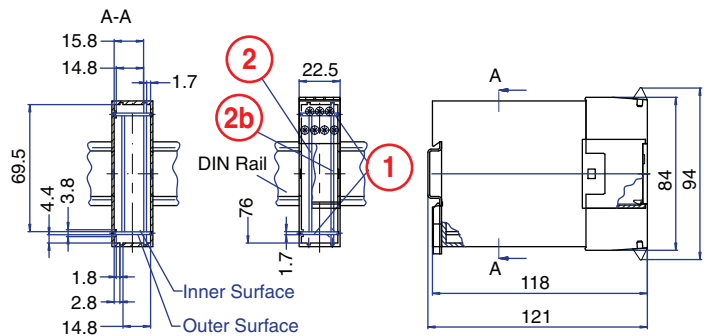
COMPLETE ENCLOSURE CONSISTS OF

- (1) Base Housing
- (1) Cover Frame
- (1) Cover Panel
- (2) Terminal or blanking blocks

ORDERING INFORMATION

| Part Number | Type | Description |
|-------------|-------------|--|
| 90.810 | KO4730H | Base Housing |
| 90.810.1 | KO4730F | Cover Frame |
| 90.810.2 | KO4730P | Cover Panel, Tan |
| 90.810.3 | KO4730P-C | Cover Panel, Clear |
| 90.810.4 | KO4730P/S | Cover Panel with terminal release slots, Tan |
| 90.810.5 | KO4730P-C/S | Cover Panel with terminal release slots, Clear |
| 90.803 | KO473xT/3 | Terminal Block, 3 terminals |
| 90.804 | KO473xT/4 | Terminal Block, 4 terminals |
| 90.807 | KO473xT/7 | Terminal Block, 7 terminals |
| 90.800 | KO473xT/B | Blanking Block, 0 terminals |

ENCLOSURE DRAWING (To convert to inches divide by 25.4.)



ACCESSORIES

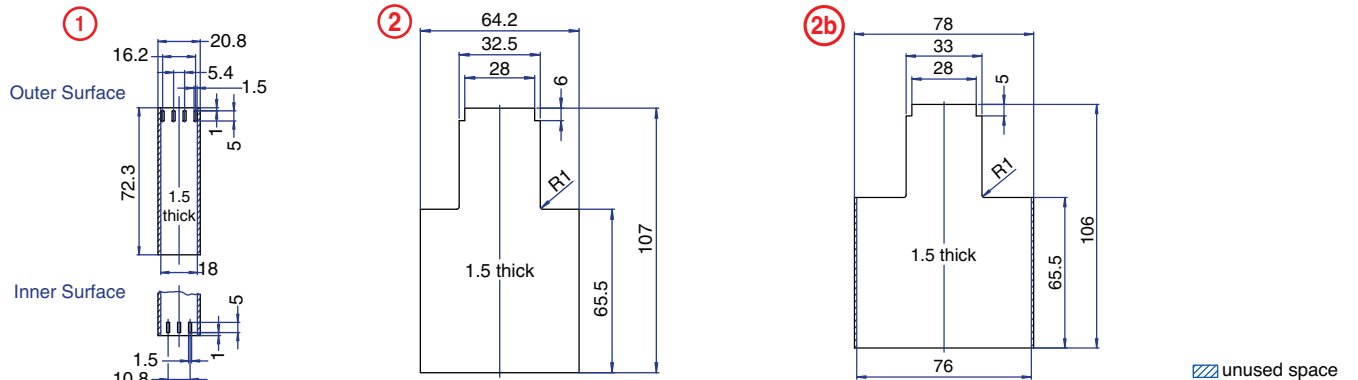
| Accessories | Part Number | Type |
|------------------|-------------|-------------|
| 1 Meter DIN Rail | 2511120/1M | TS35x7.5/1M |
| *Panel Mount Tab | 93.001.2 | PMA |

AMPERAGE CHART

Max. Current Carrying Capacity of Terminal Blocks

| | 3 pole ○○○ | 4 pole ○○○○ | 7 pole ○○○○○ ○○○○○ |
|---------------------------------|---------------|----------------|-------------------------------|
| Max Amperage of Terminal Blocks | 15A | 28A | 15A top row 28A bottom row |
| Max Amperage Per Terminal Point | 5A | 8A | 5A top row 8A bottom row |

PCB DRAWING (To convert to inches divide by 25.4.)



KO4700 Series - Modular

20 Terminal Maximum
with 6 High Current Terminals
Pluggable Card Edge
Connection/ Solder Connection



TECHNICAL INFORMATION

Electrical:

see chart for Amperages,
 300V, 22-12 AWG standard
 18-8 AWG high current

Housing Material:

Glass-filled Polycarbonate

Cover Material:

Glass-filled Polycarbonate

Temperature Range:

Up to 125°C (257°F)

Flammability Rating:

UL94 V-O (V-2 Clear Panel)

Color:

Black Housing with Tan Cover

Terminal Type:

Box clamp

Terminal Screw Size:

M3.5

Recommended Torque:

0.8Nm

Max. PCB's:

(2) Vertical
 (2) Horizontal

Mounting:

35mm DIN Rail or
 optional panel mounting*

ORDERING INFORMATION

| Part Number | Type | Description |
|-------------|---------------|--|
| 90.825 | KO4735H | Base Housing |
| 90.825.1 | KO4735F | Cover Frame |
| 90.820.2 | KO4731/5P | Cover Panel, Tan |
| 90.820.3 | KO4731/5P-C | Cover Panel, Clear |
| 90.820.4 | KO4731/5P/S | Cover Panel with terminal release slots, Tan |
| 90.820.5 | KO4731/5P-C/S | Cover Panel with terminal release slots, Clear |
| 90.803 | KO473xT/3 | Terminal Block, 3 terminals |
| 90.804 | KO473xT/4 | Terminal Block, 4 terminals |
| 90.807 | KO473xT/7 | Terminal Block, 7 terminals |
| 90.800 | KO473xT/B | Blanking Block, 0 terminals |
| 90.808 | KO473xHCT | High Current Block, 3 terminals |

ACCESSORIES

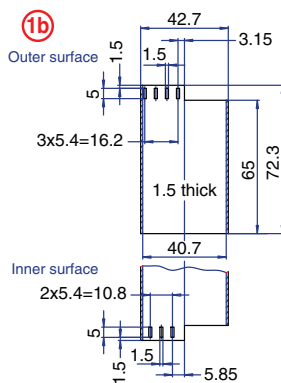
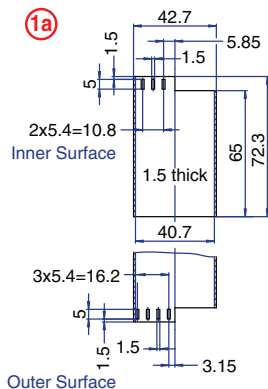
| Accessories | Part Number | Type |
|------------------|-------------|-------------|
| 1 Meter DIN Rail | 2511120/1M | TS35x7.5/1M |
| *Panel Mount Tab | 93.001.2 | PMA |

AMPERAGE CHART

Max. Current Carrying Capacity of Terminal Blocks

| | 3 pole ○○○ | 4 pole ○○○○ | 7 pole ○○○○○ | High Current ○○○ |
|---------------------------------|---------------|----------------|-------------------------------|---------------------|
| Max Amperage of Terminal Blocks | 15A | 28A | 15A top row 28A bottom row | 40A |
| Max Amperage Per Terminal Point | 8A | 8A | 5A top row 8A bottom row | 40A |

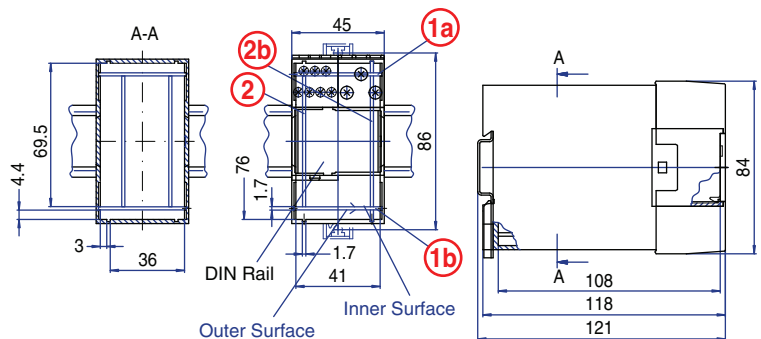
PCB DRAWING (To convert to inches divide by 25.4.)



COMPLETE ENCLOSURE CONSISTS OF

- (1) Base Housing
- (1) Cover Frame
- (1) Cover Panel
- (2) Terminal or blanking blocks
- (2) High current terminal blocks

ENCLOSURE DRAWING (To convert to inches divide by 25.4.)



unused space

28 Terminal Maximum

Pluggable Card Edge Connection



TECHNICAL INFORMATION

| | |
|---|--|
| Electrical: see chart for Amperages, 300V, 22-12 AWG | Terminal Type: Box clamp |
| Housing Material: Glass-filled Polycarbonate | Terminal Screw Size: M3.5 |
| Cover Material: Glass-filled Polycarbonate | Recommended Torque: 0.8Nm |
| Temperature Range: Up to 125°C (257°F) | Max. PCB's: (2) Vertical (2) Horizontal |
| Flammability Rating: UL94 V-O (V-2 Clear Panel) | Mounting: 35mm DIN Rail or optional panel mounting* |
| Color: Black Housing with Tan Cover | |

COMPLETE ENCLOSURE CONSISTS OF

- (1) Base Housing
- (1) Cover Frame
- (1) Cover Panel
- (4) Terminal or blanking blocks

ORDERING INFORMATION

| Part Number | Type | Description |
|-------------|---------------|--|
| 90.820 | KO4731H | Base Housing |
| 90.820.1 | KO4731F | Cover Frame |
| 90.820.2 | KO4731/5P | Cover Panel, Tan |
| 90.820.3 | KO4731/5P-C | Cover Panel, Clear |
| 90.820.4 | KO4731/5P/S | Cover Panel with terminal release slots, Tan |
| 90.820.5 | KO4731/5P-C/S | Cover Panel with terminal release slots, Clear |
| 90.803 | KO473xT/3 | Terminal Block, 3 terminals |
| 90.804 | KO473xT/4 | Terminal Block, 4 terminals |
| 90.807 | KO473xT/7 | Terminal Block, 7 terminals |
| 90.800 | KO473xT/B | Blanking Block, 0 terminals |

ACCESSORIES

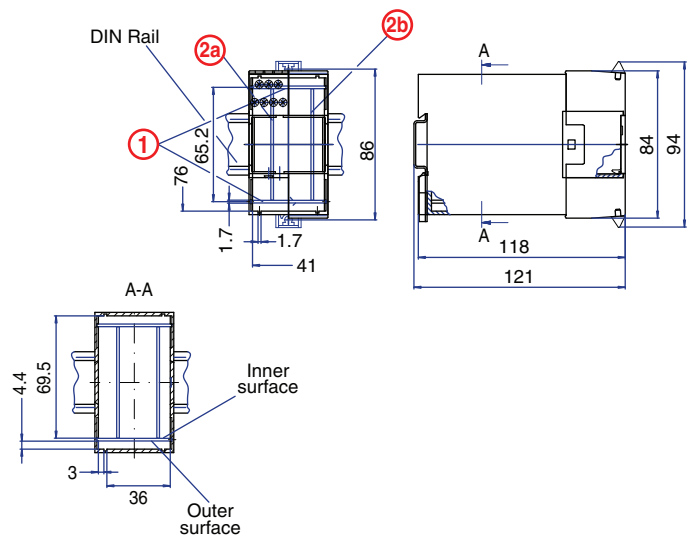
| Accessories | Part Number | Type |
|------------------|-------------|-------------|
| 1 Meter DIN Rail | 2511120/1M | TS35x7.5/1M |
| *Panel Mount Tab | 93.001.2 | PMA |

AMPERAGE CHART

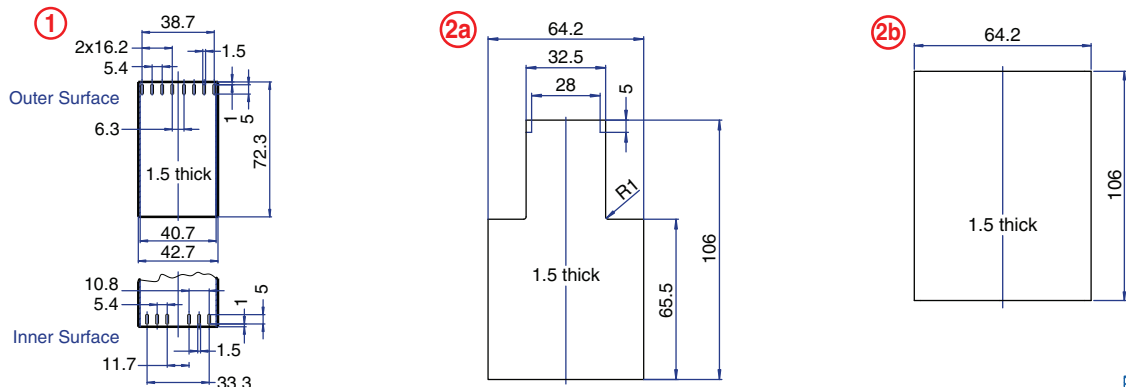
Max. Current Carrying Capacity of Terminal Blocks

| | 3 pole ○○○ | 4 pole ○○○○ | 7 pole ○○○○○ |
|---------------------------------|---------------|----------------|-------------------------------|
| Max Amperage of Terminal Blocks | 15A | 28A | 15A top row 28A bottom row |
| Max Amperage Per Terminal Point | 5A | 8A | 5A top row 8A bottom row |

ENCLOSURE DRAWING (To convert to inches divide by 25.4.)



PCB DRAWING (To convert to inches divide by 25.4.)



▨ unused space

40 Terminal Maximum
with 12 High Current Terminals
Pluggable Card Edge
Connection/ Solder Connection



TECHNICAL INFORMATION

Electrical:
 see chart for Amperages,
 300V, 22-12 AWG standard
 18-8 AWG high current

Housing Material:
 Glass-filled Polycarbonate

Cover Material:
 Glass-filled Polycarbonate

Temperature Range:
 Up to 125°C (257°F)

Flammability Rating:
 UL94 V-O (V-2 Clear Panel)

Color:
 Black Housing with Tan Cover

Terminal Type:
 Box clamp

Terminal Screw Size:
 M3.5

Recommended Torque:
 0.8Nm

Max. PCB's:
 (4) Vertical
 (2) Horizontal
 (1) Parallel with cover

Mounting:
 35mm DIN Rail or
 optional panel mounting*

ORDERING INFORMATION

| Part Number | Type | Description |
|-------------|-----------|---------------------------------|
| 90.845 | KO4737H | Base Housing |
| 90.845.6 | KO4737F | Center Cover |
| 90.803 | KO473xT/3 | Terminal Block, 3 terminals |
| 90.804 | KO473xT/4 | Terminal Block, 4 terminals |
| 90.807 | KO473xT/7 | Terminal Block, 7 terminals |
| 90.800 | KO473xT/B | Blanking Block, 0 terminals |
| 90.808 | KO473xHCT | High Current Block, 3 terminals |

ACCESSORIES

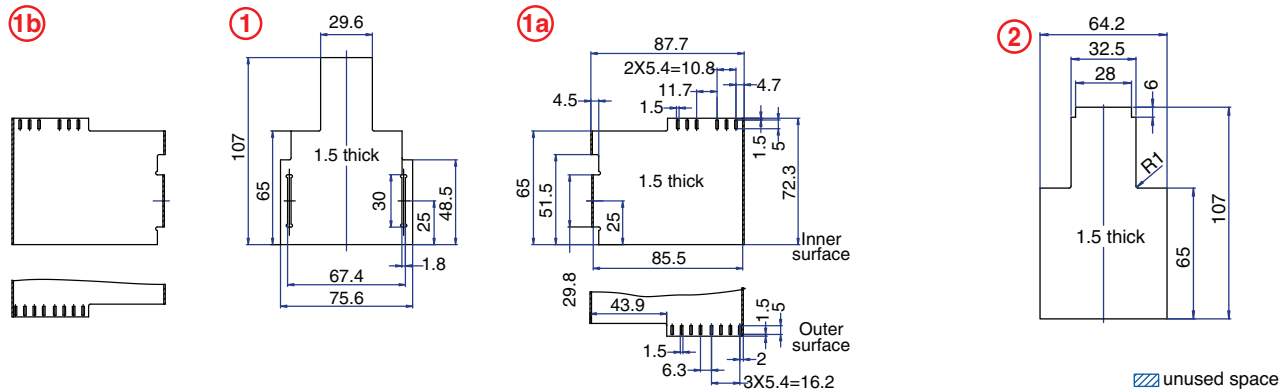
| Accessories | Part Number | Type |
|---------------------------|-------------|-------------|
| 1 Meter DIN Rail | 2511120/1M | TS35x7.5/1M |
| *Panel Mount Tab (need 2) | 93.001.2 | PMA |

AMPERAGE CHART

Max. Current Carrying Capacity of Terminal Blocks

| | 3 pole | 4 pole | 7 pole | High Current |
|---------------------------------|--------|--------|-------------------------------|--------------|
| | ○○○ | ○○○○ | ○○○○○ | ○○○ |
| Max Amperage of Terminal Blocks | 15A | 28A | 15A top row 28A bottom row | 40A |
| Max Amperage Per Terminal Point | 8A | 8A | 5A top row 8A bottom row | 40A |

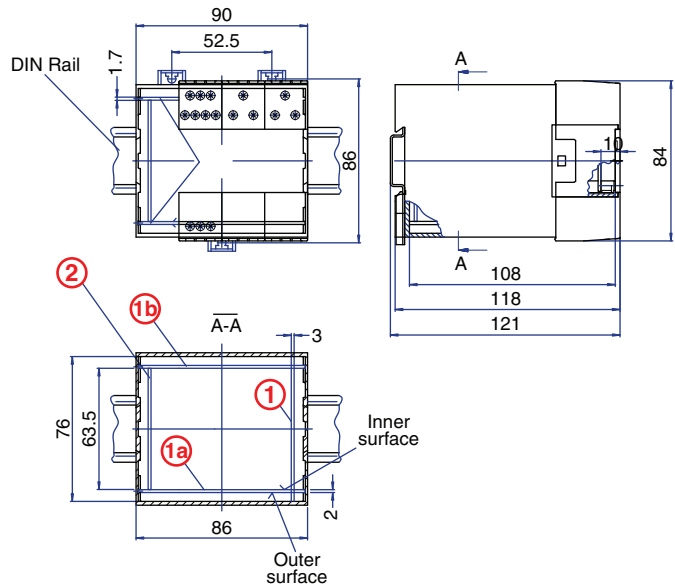
PCB DRAWING (To convert to inches divide by 25.4.)



COMPLETE ENCLOSURE CONSISTS OF

- (1) Base Housing
- (1) Center Cover
- (4) Terminal or blanking blocks
- (4) High current terminal blocks

ENCLOSURE DRAWING (To convert to inches divide by 25.4.)



KO4700 Series - Modular

**42 Terminal
Maximum
Pluggable Card Edge
Connection**



TECHNICAL INFORMATION

Electrical:
see chart for Amperages,
300V, 22-12 AWG

Housing Material:
Glass-filled Polycarbonate

Cover Material:
Glass-filled Polycarbonate

Temperature Range:
Up to 125°C (257°F)

Flammability Rating:
UL94 V-O (V-2 Clear Panel)

Color:
Black Housing with Tan Cover

Terminal Type:
Box clamp

Terminal Screw Size:
M3.5

Recommended Torque:
0.8Nm

Max. PCB's:
(3) Vertical
(2) Horizontal
(1) Parallel with cover

Mounting:
35mm DIN Rail or
optional panel mounting*

ORDERING INFORMATION

| Part Number | Type | Description |
|-------------|-------------|--|
| 90.830 | KO4732/6H | Base Housing |
| 90.830.1 | KO4732F | Cover Frame |
| 90.830.2 | KO4732P | Cover Panel, Tan |
| 90.830.3 | KO4732P-C | Cover Panel, Clear |
| 90.830.4 | KO4732P/S | Cover Panel with terminal release slots, Tan |
| 90.830.5 | KO4732P-C/S | Cover Panel with terminal release slots, Clear |
| 90.803 | KO473xT/3 | Terminal Block, 3 terminals |
| 90.804 | KO473xT/4 | Terminal Block, 4 terminals |
| 90.807 | KO473xT/7 | Terminal Block, 7 terminals |
| 90.800 | KO473xT/B | Blanking Block, 0 terminals |

ACCESSORIES

| Accessories | Part Number | Type |
|---------------------------|-------------|-------------|
| 1 Meter DIN Rail | 2511120/1M | TS35x7.5/1M |
| *Panel Mount Tab (need 2) | 93.001.2 | PMA |

AMPERAGE CHART

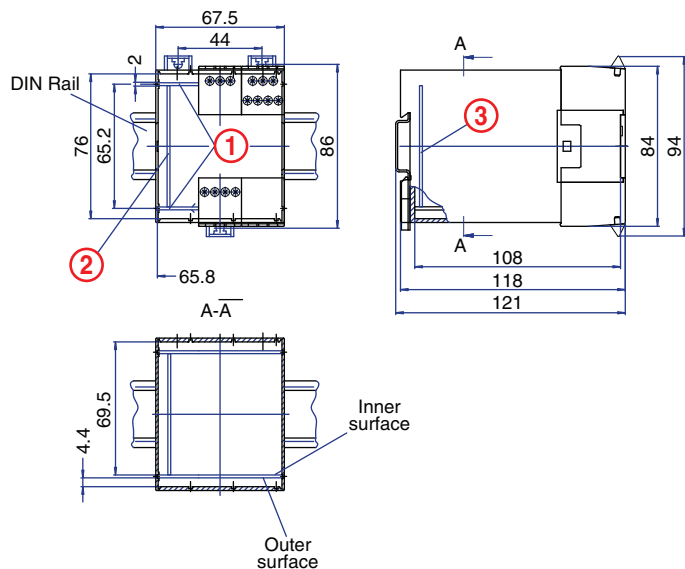
Max. Current Carrying Capacity of Terminal Blocks

| | 3 pole ○○○ | 4 pole ○○○○ | 7 pole ○○○ ○○○ |
|---------------------------------|---------------|----------------|-------------------------------|
| Max Amperage of Terminal Blocks | 15A | 28A | 15A top row 28A bottom row |
| Max Amperage Per Terminal Point | 5A | 8A | 5A top row 8A bottom row |

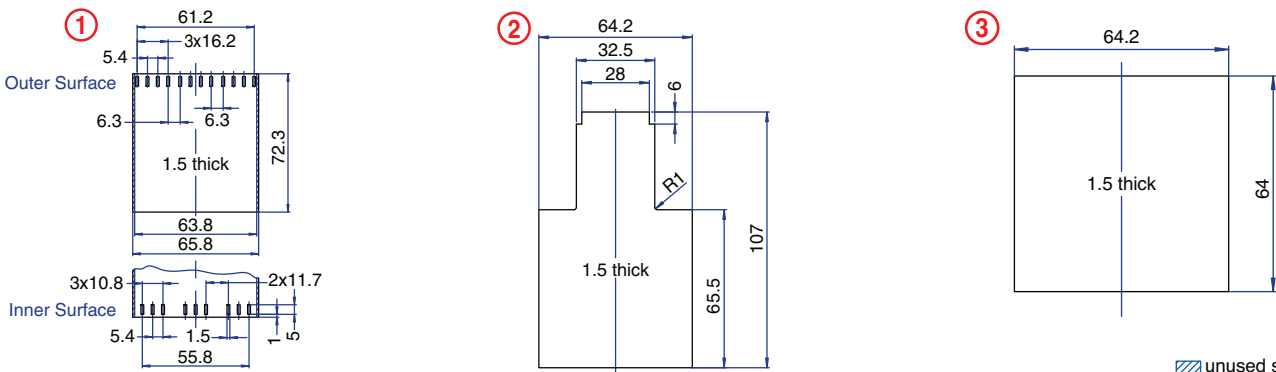
COMPLETE ENCLOSURE CONSISTS OF

- (1) Base Housing
- (1) Cover Frame
- (1) Cover Panel
- (6) Terminal or blanking blocks

ENCLOSURE DRAWING (To convert to inches divide by 25.4.)



PCB DRAWING (To convert to inches divide by 25.4.)



**56 Terminal
Maximum
Pluggable Card Edge
Connection**



TECHNICAL INFORMATION

| | |
|---|---|
| Electrical: see chart for Amperages, 300V, 22-12 AWG | Terminal Type: Box clamp |
| Housing Material: Glass-filled Polycarbonate | Terminal Screw Size: M3.5 |
| Cover Material: Glass-filled Polycarbonate | Recommended Torque: 0.8Nm |
| Temperature Range: Up to 125°C (257°F) | Max. PCB's: (4) Vertical (2) Horizontal (1ea.) Parallel with/ behind cover |
| Flammability Rating: UL94 V-O (V-2 Clear Panel) | Mounting: 35mm DIN Rail or optional panel mounting* |
| Color: Black Housing with Tan Cover | |

ORDERING INFORMATION

| Part Number | Type | Description |
|-------------|-------------|---|
| 90.840 | KO4733H | Base Housing |
| 90.840.1 | KO4733F | Cover Frame |
| 90.840.2 | KO4733P | Cover Panel, Tan |
| 90.840.3 | KO4733P-C | Cover Panel, Clear |
| 90.840.4 | KO4733P/S | Cover Panel with terminal release slots, Tan |
| 90.840.5 | KO4733P-C/S | Cover Panel with terminal release slots, Clear |
| 90.803 | KO473xT/3 | Terminal Block, 3 terminals |
| 90.804 | KO473xT/4 | Terminal Block, 4 terminals |
| 90.807 | KO473xT/7 | Terminal Block, 7 terminals |
| 90.800 | KO473xT/B | Blanking Block, 0 terminals |

ACCESSORIES

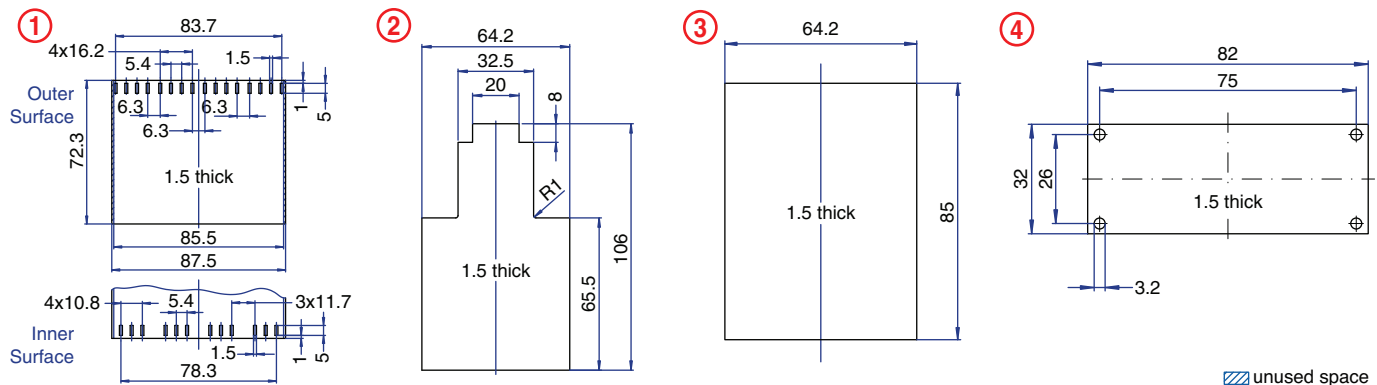
| Accessories | Part Number | Type |
|---------------------------|-------------|-------------|
| 1 Meter DIN Rail | 2511120/1M | TS35x7.5/1M |
| *Panel Mount Tab (need 2) | 93.001.2 | PMA |

AMPERAGE CHART

Max. Current Carrying Capacity of Terminal Blocks

| | 3 pole ○○○ | 4 pole ○○○○ | 7 pole ○○○○○ |
|------------------------------------|---------------|----------------|-------------------------------|
| Max Amperage of Terminal Blocks | 15A | 28A | 15A top row 28A bottom row |
| Max Amperage Per Terminal Point | 5A | 8A | 5A top row 8A bottom row |

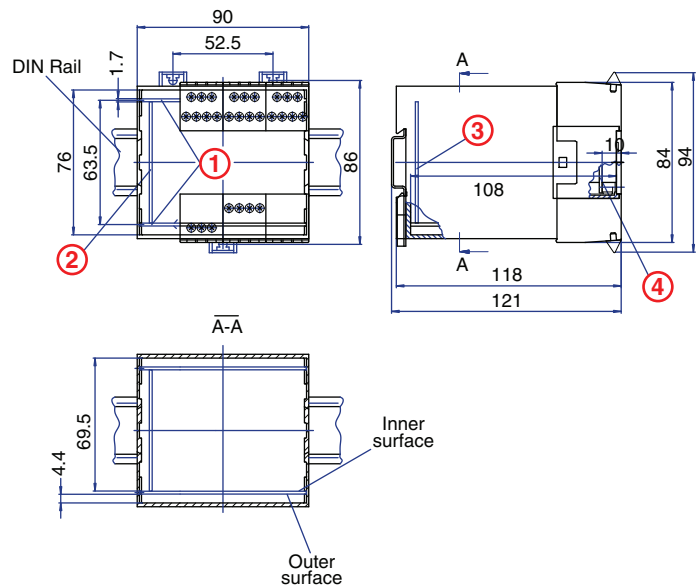
PCB DRAWING (To convert to inches divide by 25.4.)



COMPLETE ENCLOSURE CONSISTS OF

- (1) Base Housing
- (1) Cover Frame
- (1) Cover Panel
- (8) Terminal or blanking blocks

ENCLOSURE DRAWING (To convert to inches divide by 25.4.)



K70 Series



The K70 series enclosures are small to medium in size and offer cost effective solutions for many applications.

They can accommodate 8 to 32 terminals for field wire connections. Pressure plate terminals are standard with both the fixed and pluggable versions.

MATERIALS

Housing

Housing Shell: Polycarbonate, 10% Glass-filled

Housing Cover: Polycarbonate, 10% Glass-filled

Terminals

Pressure Plate: Chromated Steel

Terminal Screw: Chromated Steel

Connector Contact: Tin Plated Bronze

Temperature Rating: 125°C (257°F) UL94V0

Standard Color: Light Gray

PROTECTION

K70 enclosures have an IP10 rating (hand protected). By using optional terminal covers the protection rating can be increased to IP20 (finger protected). VBG4 and other European accident prevention requirements are met.

CONSTRUCTION

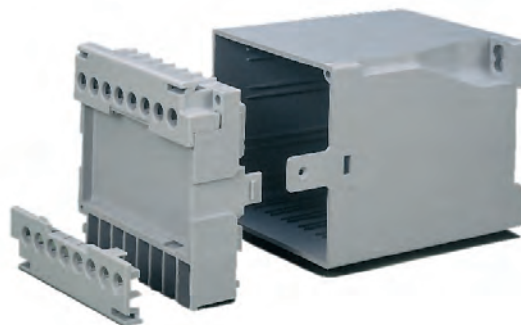
The K70 enclosures are supplied as unassembled kits. Each kit consists of a housing shell and a snap-on cover, complete with integral terminals and terminal-to-board connection provisions. Integral printed circuit board guides are molded into the housing shell to save time when inserting boards, to prevent misconnections and to keep the boards in place. Integral tabs on the bottom of the shell further help to hold the boards in place and eliminate lateral movement and warpage.

Printed circuit boards can be mounted in three ways:

- Vertically
- Horizontally
- Behind the Front Cover

Boards can be placed vertically (perpendicular to the DIN rail) and/or horizontally (parallel with the DIN rail). Enclosures with plug-in covers can accept an additional board mounted directly behind the front cover. This board is ideal for mounting indicating devices such as LEDs, LCDs for monitoring, switches and potentiometers for setting and adjusting purposes. The housing cover snaps onto the housing shell. Two tabs lock the cover firmly in place. Removal of the cover is possible for service and repair. Potting is possible.

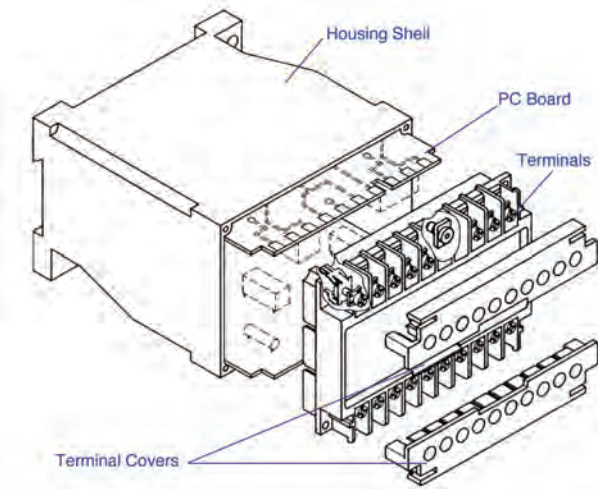
The K70 housing covers have external and internal barriers between terminals to increase creepage distance and to help prevent accidental touching of live potentials that may be present. Optional terminal covers that decrease the size of the opening are available as accessories.



TERMINALS

Pressure Plate terminals with either fixed or pluggable terminal-to-board connections are offered in the K70 enclosures. The pressure plate, which is captive to the terminal screw, automatically rises when the screw is loosened. One or two wires of equal or different sizes up to 2.5mm² (14 AWG) can be terminated in each terminal. The grooved corners of the pressure plate ensure positive wire retention. The flat bottom of the terminal extends to the inside of the enclosure and provides the terminal-to-board connection. The terminal screws can be turned by a flat tip or a #2 Phillips screwdriver.

Upon request, terminals can be loaded in selected positions only.



TERMINAL-TO-BOARD CONNECTIONS

The K70 series offers fixed and pluggable terminal-to-board connection possibilities.

Fixed Connections

Fixed terminal-to-board connections can be made by Wire Jumper, Fast On tabs or Machine Solderable Pins (K7022.5C only).

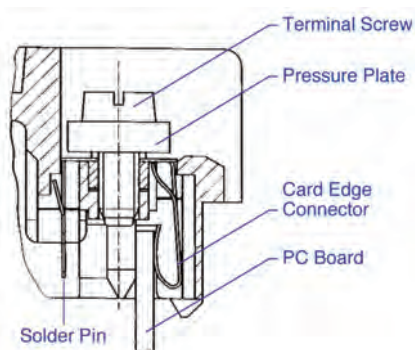
Fast On tabs, (2.8 x 0.8 mm) accept industry standard Fast On connectors crimped onto wire jumpers.

Wire Jumper connections can also be made by soldering a wire jumper between the center holes of the Fast On tab and the printed circuit board(s).

Machine Solderable Pins (offered only with type K7022.5C) can be removed from the enclosure and machine soldered to the board in the same step as other components, saving assembly time.

Pluggable Connections

Pluggable terminal-to-board connections are made by using **Card Edge** connectors. They are an integral part of the covers of K7075P, K70100P and K70150P and plug directly onto the board(s).



Solder Pins are also provided in these enclosures for terminal-to-board connections when mounting an additional board directly behind the front cover. A **Wire Jumper** can be soldered to these pins as well.

For better retention, the plug-in type covers have captive screws at the corners that insert into brass bushings, molded into the housing shell. The pluggable versions are ideal whenever quick connections and replacement are important. They also reduce the danger of misconnected wires and downtime.

MOUNTING

The K70 Enclosures mount easily by snapping onto standard 35mm DIN Rail. Many can also be panel mounted using corner mounting holes which accept two M4 or M5 (#6 or #10) screws. These mounting holes are molded into two corners of the housing shell base and do not increase the height or width of the enclosure, thus insuring a compact, high density arrangement when multiple enclosures are installed adjacent to each other. Enclosure types K7022.5A, K7022.5B and K7022.5C have two integral pull-out tabs on the base of the enclosure for panel mounting. (Refer to Enclosure Mounting Procedures on page 49.)



MARKING

The K70 enclosures have an area on the front of the cover for marking and mounting of components such as switches, potentiometers, LEDs or LCD indicators. Custom imprinted plates can be inserted as well, allowing imprinting of plates separate from the enclosure, reducing cost and delays.

ACCESSORIES

- 35 x 7.5 mm DIN Rail
- Terminal Covers
- Pull-Out Panel Mounting Tabs.

CUSTOMIZATION

Enclosures can be customized with cutouts and holes for potentiometers, switches, LEDs, LCDs and other devices. Using state of the art machining, we can punch, drill or cut to your most exacting specifications. Custom colors and special markings are also available. Please let us know what your requirements are.



8 Terminal Solder/Tab Connection



TECHNICAL INFORMATION

| | |
|--|---|
| Electrical: 25A, 300V, 24-14 AWG | Terminal Type: Pressure Plate |
| Housing Material: Glass-filled Polycarbonate | Terminal Screw Size: M2.5 |
| Cover Material: Glass-filled Polycarbonate | Recommended Torque: 0.8Nm |
| Temperature Range: Up to 125°C (257°F) | PCB Locations: (2) Vertical |
| Flammability Rating: UL94 V-O | Mounting: 35mm DIN Rail or panel mount |
| Color: Light Gray | |

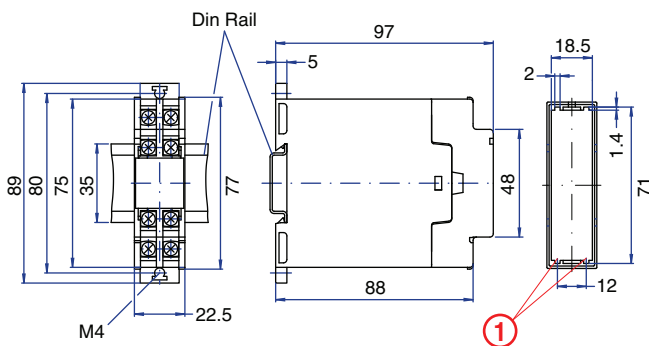
ORDERING INFORMATION

| Part Number | Type | Description | PCB Connection |
|-------------|----------|---------------------------|-------------------------|
| 90.001 | K7022.5A | Double Level Terminals | Wire Jumper/ Fast On |

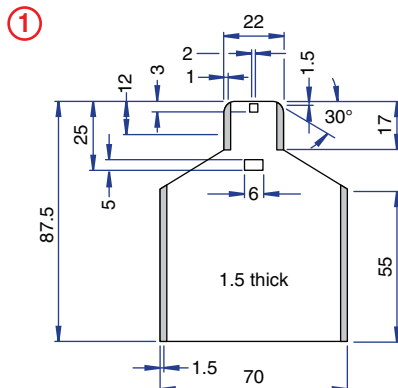
ACCESSORIES

| Accessories | Part Number | Type |
|------------------|-------------------|------------------|
| DIN Rail | 2511120/1M | TS35x7.5/1M |
| Terminal Covers* | 90.001.1/90.001.2 | K7022.5A/TC1,TC2 |

ENCLOSURE DRAWING (To convert to inches divide by 25.4.)



PCB DRAWING (To convert to inches divide by 25.4.)



* Note: Need one of each Terminal Cover.



10 Terminal Solder/Tab Connection



TECHNICAL INFORMATION

| | |
|--|---|
| Electrical: 25A, 300V, 22-14 AWG | Terminal Type: Pressure Plate |
| Housing Material: Glass-filled Polycarbonate | Terminal Screw Size: M3.5 |
| Cover Material: Glass-filled Polycarbonate | Recommended Torque: 0.8Nm |
| Temperature Range: Up to 125°C (257°F) | PCB Locations: (10) Vertical |
| Flammability Rating: UL94 V-O | Mounting: 35mm DIN Rail or panel mount |
| Color: Light Gray | |

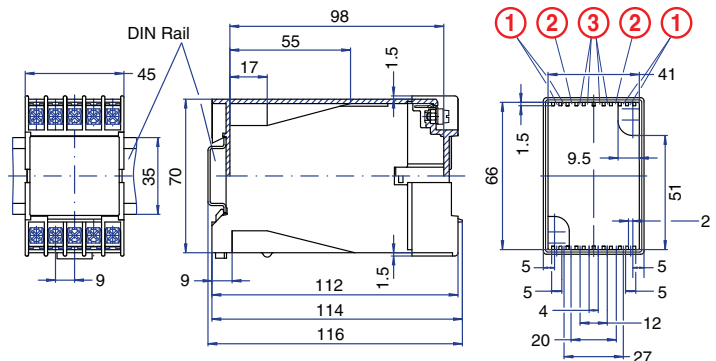
ORDERING INFORMATION

| Part Number | Type | Description | PCB Connection |
|-------------|--------|---------------------------|-------------------------|
| 90.010 | K7045C | Single Level Terminals | Wire Jumper/ Fast On |

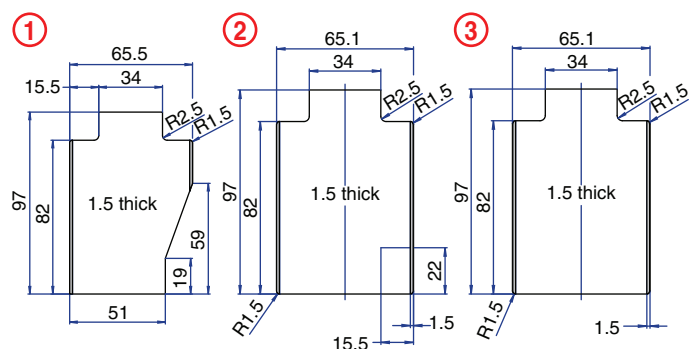
ACCESSORIES

| Accessories | Part Number | Type |
|------------------|-------------|-------------|
| DIN Rail | 2511120/1M | TS35x7.5/1M |
| Terminal Cover** | 90.010.1 | K7045C/TC1 |

ENCLOSURE DRAWING (To convert to inches divide by 25.4.)



PCB DRAWING (To convert to inches divide by 25.4.)



** Note: One piece Terminal Cover covers both sides.



12 Terminal Solder/Tab Connection



TECHNICAL INFORMATION

| | |
|--|--|
| Electrical: 20A, 300V, 24-14 AWG | Terminal Type: Pressure Plate |
| Housing Material: Glass-filled Polycarbonate | Terminal Screw Size: M2.5 |
| Cover Material: Glass-filled Polycarbonate | Recommended Torque: 0.8Nm |
| Temperature Range: Up to 125°C (257°F) | PCB Locations: (2) Vertical |
| Flammability Rating: UL94 V-O | Mounting: 35mm DIN Rail or panel mount |
| Color: Light Gray | |

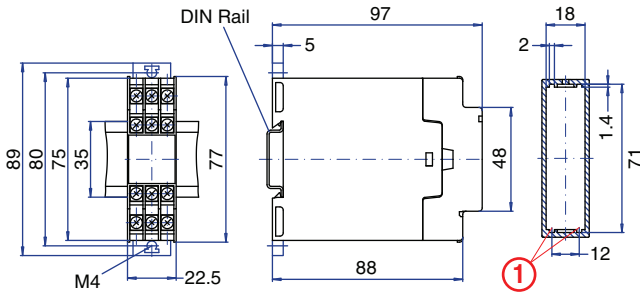
ORDERING INFORMATION

| Part Number | Type | Description | PCB Connection |
|-------------|----------|------------------------|-------------------------|
| 90.020 | K7022.5B | Double Level Terminals | Wire Jumper/ Fast On |

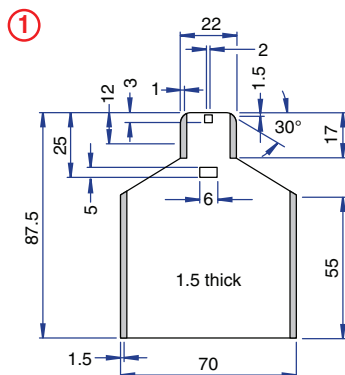
ACCESSORIES

| Accessories | Part Number | Type |
|------------------|-------------------|-----------------|
| DIN Rail | 2511120/1M | TS35x7.5/1M |
| Terminal Covers* | 90.020.1/90.020.2 | K7022.5BTC1/TC2 |

ENCLOSURE DRAWING (To convert to inches divide by 25.4.)



PCB DRAWING (To convert to inches divide by 25.4.)



* Note: Need one of each Terminal Cover. unused space

12 Terminal Solder Connection



TECHNICAL INFORMATION

| | |
|--|--|
| Electrical: 20A, 300V, 22-14 AWG | Terminal Type: Pressure Plate |
| Housing Material: Glass-filled Polycarbonate | Terminal Screw Size: M3.5 |
| Cover Material: Glass-filled Polycarbonate | Recommended Torque: 0.8Nm |
| Temperature Range: Up to 125°C (257°F) | PCB Locations: (2) Vertical |
| Flammability Rating: UL94 V-O | Mounting: 35mm DIN Rail or panel mount |
| Color: Light Gray | |

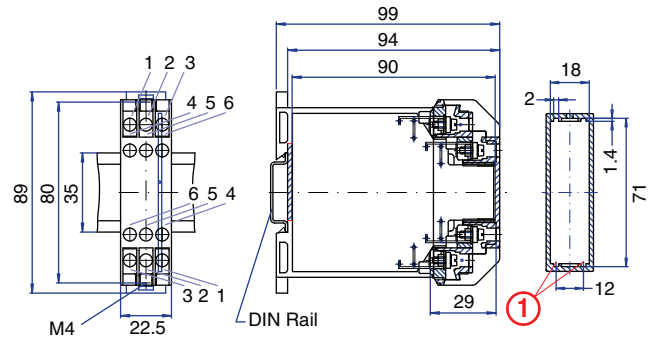
ORDERING INFORMATION

| Part Number | Type | Description | PCB Connection |
|-------------|----------|---------------------------------|---|
| 90.030 | K7022.5C | Shrouded Double Level Terminals | Wire Jumper/ Machine Solderable Pins |

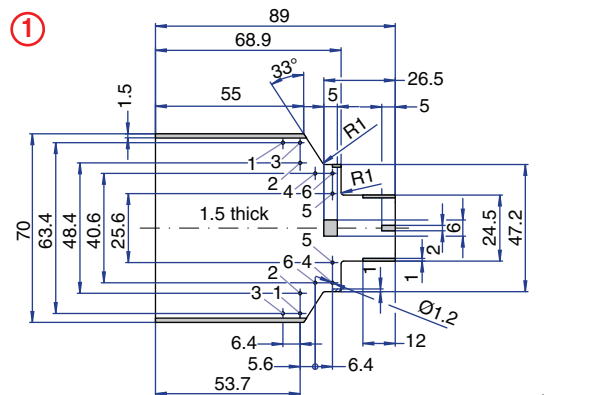
ACCESSORIES

| Accessories | Part Number | Type |
|-------------|-------------|-------------|
| DIN Rail | 2511120/1M | TS35x7.5/1M |

ENCLOSURE DRAWING (To convert to inches divide by 25.4.)



PCB DRAWING (To convert to inches divide by 25.4.)



 unused space

12 Terminal Solder/Tab Connection



TECHNICAL INFORMATION

| | |
|--|---|
| Electrical: 25A, 300V, 22-14 AWG | Terminal Type: Pressure Plate |
| Housing Material: Glass-filled Polycarbonate | Terminal Screw Size: M3.5 |
| Cover Material: Glass-filled Polycarbonate | Recommended Torque: 0.8Nm |
| Temperature Range: Up to 125°C (257°F) | PCB Locations: (5) Vertical |
| Flammability Rating: UL94 V-O | (1) Behind Cover |
| Color: Light Gray | Mounting: 35mm DIN Rail |

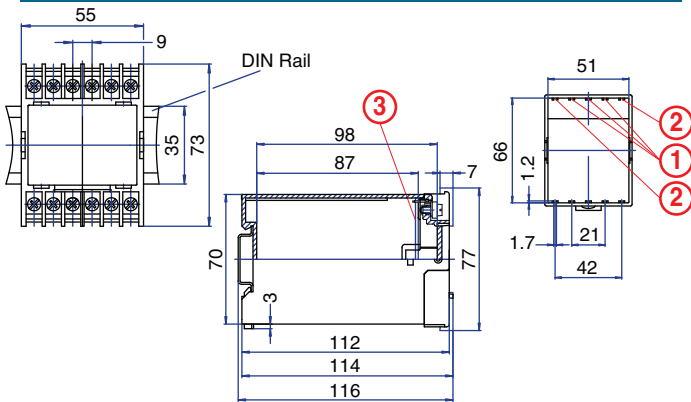
ORDERING INFORMATION

| Part Number | Type | Description | PCB Connection |
|-------------|-------|---------------------------|-------------------------|
| 90.040 | K7055 | Single Level Terminals | Wire Jumper/ Fast On |

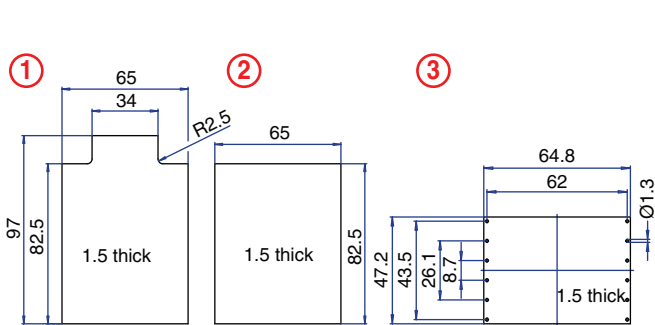
ACCESSORIES

| Accessories | Part Number | Type |
|------------------|-------------|-------------|
| DIN Rail | 2511120/1M | TS35x7.5/1M |
| Terminal Covers* | 90.040.1 | K7055/TC1 |

ENCLOSURE DRAWING (To convert to inches divide by 25.4.)



PCB DRAWING (To convert to inches divide by 25.4.)



* Note: Need two Terminal Covers.

■ unused space

16 Terminal Pluggable Connection



TECHNICAL INFORMATION

| | |
|--|--|
| Electrical: 10A, 300V, 22-14 AWG | Terminal Type: Pressure Plate |
| Housing Material: Glass-filled Polycarbonate | Terminal Screw Size: M3.5 |
| Cover Material: Glass-filled Polycarbonate | Recommended Torque: 0.8Nm |
| Temperature Range: Up to 125°C (257°F) | PCB Locations: (7) Vertical (6) Horizontal |
| Flammability Rating: UL94 V-O | (1) Behind Cover |
| Color: Light Gray | Mounting: 35mm DIN Rail or panel mount |

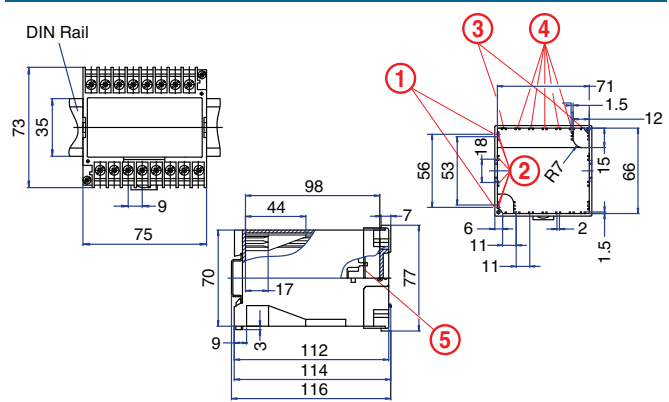
ORDERING INFORMATION

| Part Number | Type | Description | PCB Connection |
|-------------|--------|---------------------------|---------------------------------------|
| 90.050 | K7075P | Single Level Terminals | Wire Jumper/ Solder Pin/ Card Edge |

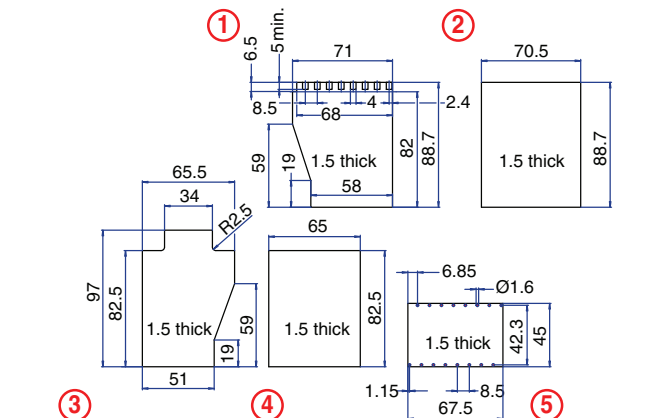
ACCESSORIES

| Accessories | Part Number | Type |
|-----------------|-------------|-------------|
| DIN Rail | 2511120/1M | TS35x7.5/1M |
| Terminal Cover* | 90.050.1 | K7075P/TC1 |

ENCLOSURE DRAWING (To convert to inches divide by 25.4.)



PCB DRAWING (To convert to inches divide by 25.4.)



* Note: Need two Terminal Covers.

■ unused space

16 Terminal
Pluggable Connection
(DIN Rail Mount Only)



TECHNICAL INFORMATION

Electrical: 10A, 300V, 22-14 AWG
Housing Material: Glass-filled Polycarbonate
Cover Material: Glass-filled Polycarbonate
Temperature Range: Up to 125°C (257°F)
Flammability Rating: UL94 V-O
Color: Light Gray

Terminal Type: Pressure Plate
Terminal Screw Size: M3.5
Recommended Torque: 0.8Nm
PCB Locations: (7) Vertical (6) Horizontal (1) Behind Cover
Mounting: 35mm DIN Rail

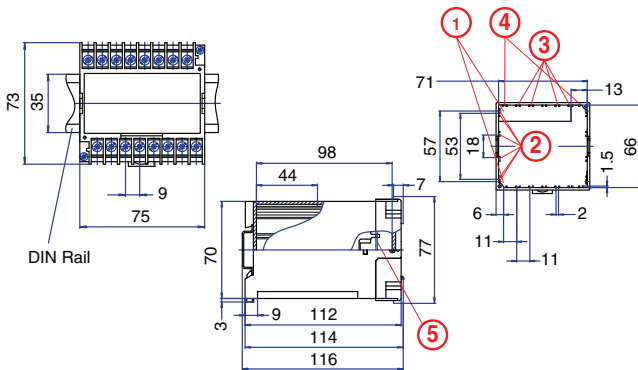
ORDERING INFORMATION

| Part Number | Type | Description | PCB Connection |
|-------------|--------|------------------------|---------------------------------------|
| 90.050.5 | K7075P | Single Level Terminals | Wire Jumper/ Solder Tab/ Card Edge |

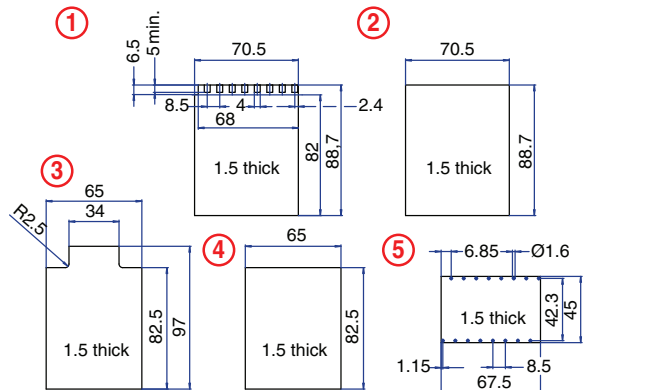
ACCESSORIES

| Accessories | Part Number | Type |
|------------------|-------------|-------------|
| DIN Rail | 2511120/1M | TS35x7.5/1M |
| Terminal Covers* | 90.050.1 | K7075P/TC1 |

ENCLOSURE DRAWING (To convert to inches divide by 25.4.)



PCB DRAWING (To convert to inches divide by 25.4.)



* Note: Need two Terminal Covers.

□ unused space

20 Terminal
Solder/Tab Connection



TECHNICAL INFORMATION

Electrical: 25A, 300V, 22-14 AWG
Housing Material: Glass-filled Polycarbonate
Cover Material: Glass-filled Polycarbonate
Temperature Range: Up to 125°C (257°F)
Flammability Rating: UL94 V-O
Color: Light Gray

Terminal Type: Pressure Plate
Terminal Screw Size: M3.5
Recommended Torque: 0.8Nm
PCB Locations: (10) Vertical
Mounting: 35mm DIN Rail or panel mount

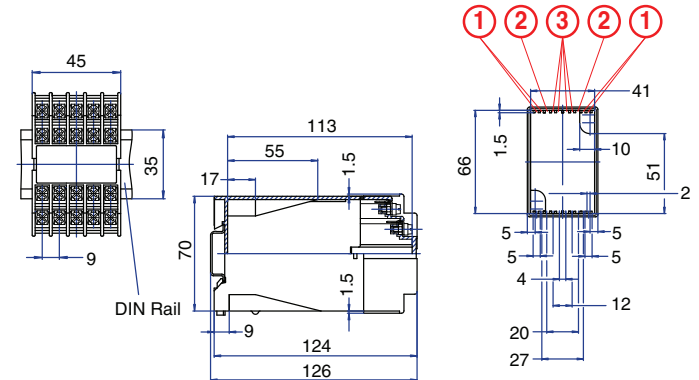
ORDERING INFORMATION

| Part Number | Type | Description | PCB Connection |
|-------------|---------|------------------------|-------------------------|
| 90.060 | K7045D1 | Double Level Terminals | Wire Jumper/ Fast On |

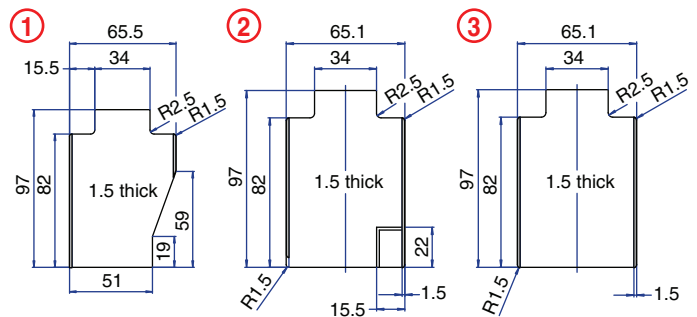
ACCESSORIES

| Accessories | Part Number | Type |
|-------------|-------------|-------------|
| DIN Rail | 2511120/1M | TS35x7.5/1M |

ENCLOSURE DRAWING (To convert to inches divide by 25.4.)



PCB DRAWING (To convert to inches divide by 25.4.)



□ unused space

20 Terminal Solder/Tab Connection



TECHNICAL INFORMATION

| | |
|--|---|
| Electrical: 25A, 300V, 22-14 AWG | Terminal Type: Pressure Plate |
| Housing Material: Glass-filled Polycarbonate | Terminal Screw Size: M3.5 |
| Cover Material: Glass-filled Polycarbonate | Recommended Torque: 0.8Nm |
| Temperature Range: Up to 125°C (257°F) | PCB Locations: (10) Vertical |
| Flammability Rating: UL94 V-O | Mounting: 35mm DIN Rail or panel mount |
| Color: Light Gray | |

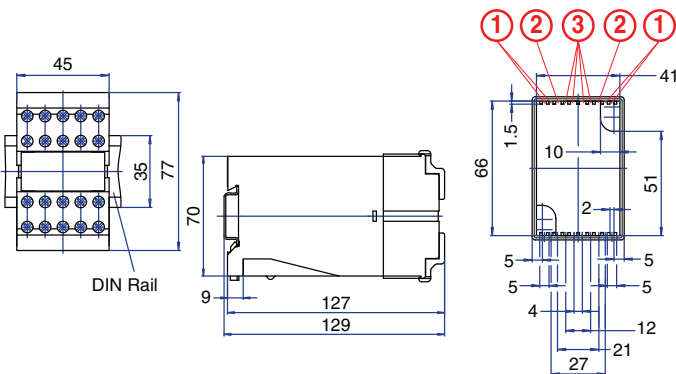
ORDERING INFORMATION

| Part Number | Type | Description | PCB Connection |
|-------------|---------|---------------------------------|-------------------------|
| 90.070 | K7045D2 | Shrouded Double Level Terminals | Wire Jumper/ Fast On |

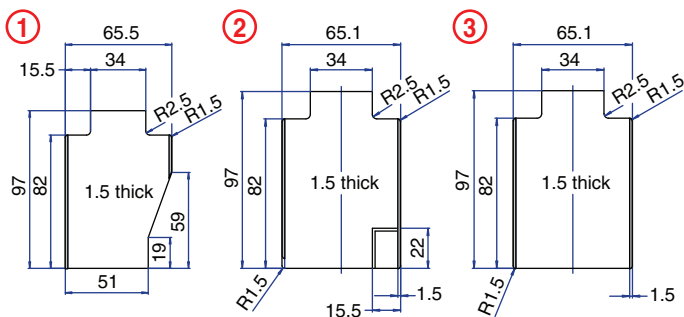
ACCESSORIES

| Accessories | Part Number | Type |
|------------------|-------------|-------------|
| DIN Rail | 2511120/1M | TS35x7.5/1M |
| Terminal Covers* | | |

ENCLOSURE DRAWING (To convert to inches divide by 25.4.)



PCB DRAWING (To convert to inches divide by 25.4.)



* Note: Integral Terminal Covers.

□ unused space

20 Terminal Solder/Tab Connection



TECHNICAL INFORMATION

| | |
|--|--|
| Electrical: 25A, 300V, 22-14 AWG | Terminal Type: Pressure Plate |
| Housing Material: Glass-filled Polycarbonate | Terminal Screw Size: M3.5 |
| Cover Material: Glass-filled Polycarbonate | Recommended Torque: 0.8Nm |
| Temperature Range: Up to 125°C (257°F) | PCB Locations: (4) Vertical (6) Horizontal |
| Flammability Rating: UL94 V-O | Mounting: 35mm DIN Rail or panel mount |
| Color: Light Gray | |

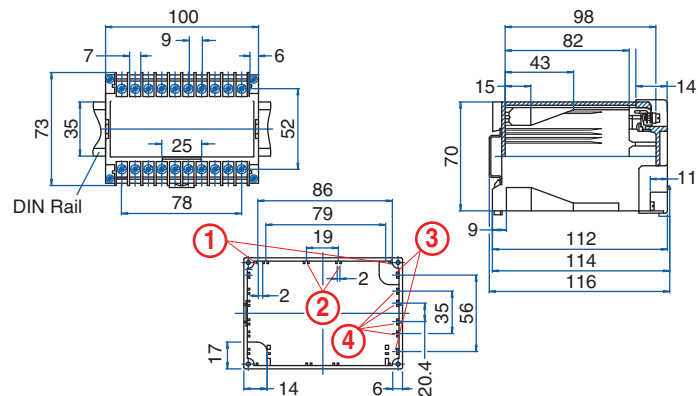
ORDERING INFORMATION

| Part Number | Type | Description | PCB Connection |
|-------------|---------|------------------------|-------------------------|
| 90.080 | K70100A | Single Level Terminals | Wire Jumper/ Fast On |

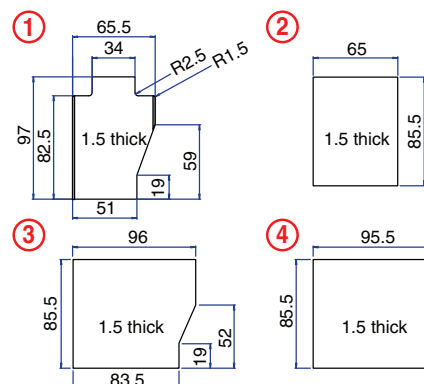
ACCESSORIES

| Accessories | Part Number | Type |
|------------------|-------------|-------------|
| DIN Rail | 2511120/1M | TS35x7.5/1M |
| Terminal Cover** | 90.080.1 | K70100/TC1 |

ENCLOSURE DRAWING (To convert to inches divide by 25.4.)



PCB DRAWING (To convert to inches divide by 25.4.)



** Note: Need two Terminal Covers.

□ unused space

20 Terminal
Pluggable Connection



TECHNICAL INFORMATION

| | |
|--|---|
| Electrical: 10A, 300V, 22-14 AWG | Terminal Type: Pressure Plate |
| Housing Material: Glass-filled Polycarbonate | Terminal Screw Size: M3.5 |
| Cover Material: Glass-filled Polycarbonate | Recommended Torque: 0.8Nm |
| Temperature Range: Up to 125°C (257°F) | PCB Locations (4) Vertical (6) Horizontal (1) Behind Cover |
| Flammability Rating: UL94 V-O | Mounting: 35mm DIN Rail or panel mount |
| Color: Light Gray | |

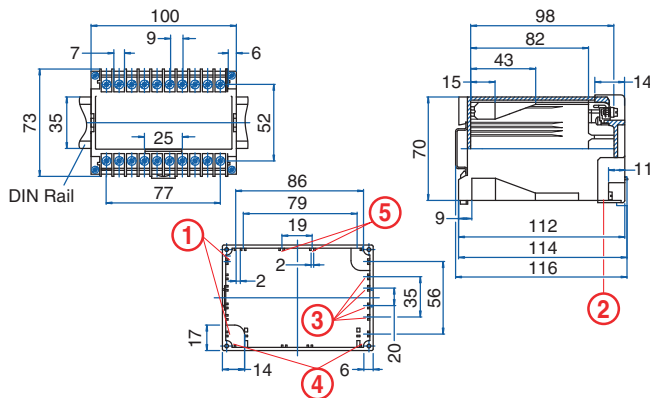
ORDERING INFORMATION

| Part Number | Type | Description | PCB Connection |
|-------------|---------|---------------------------|---------------------------------------|
| 90.090 | K70100P | Single Level Terminals | Wire Jumper/ Solder Pin/ Card Edge |

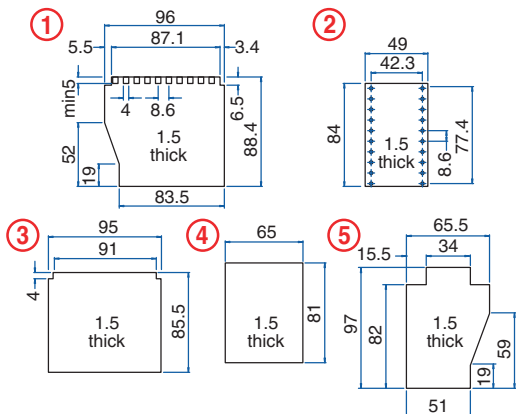
ACCESSORIES

| Accessories | Part Number | Type |
|------------------|-------------|-------------|
| DIN Rail | 2511120/1M | TS35x7.5/1M |
| Terminal Covers* | 90.080.1 | K70100/TC1 |

ENCLOSURE DRAWING (To convert to inches divide by 25.4.)



PCB DRAWING (To convert to inches divide by 25.4.)



* Note: Need two Terminal Covers. unused space

32 Terminal
Pluggable Connection



TECHNICAL INFORMATION

| | |
|--|---|
| Electrical: 10A, 300V, 22-14 AWG | Terminal Type: Pressure Plate |
| Housing Material: Glass-filled Polycarbonate | Terminal Screw Size: M3.5 |
| Cover Material: Glass-filled Polycarbonate | Recommended Torque: 0.8Nm |
| Temperature Range: Up to 125°C (257°F) | PCB Locations (9) Vertical (6) Horizontal (1) Behind Cover |
| Flammability Rating: UL94 V-O | Mounting: 35mm DIN Rail or panel mount |
| Color: Light Gray | |

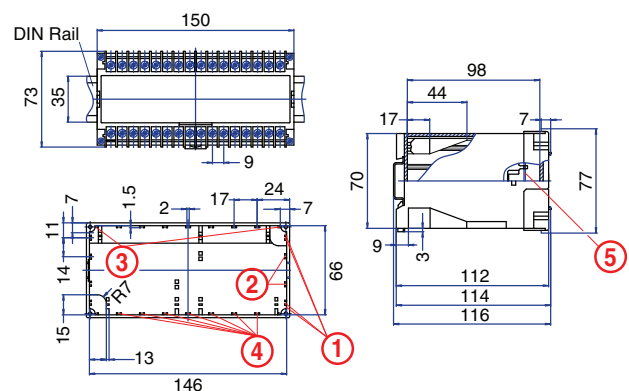
ORDERING INFORMATION

| Part Number | Type | Description | PCB Connection |
|-------------|---------|---------------------------|---------------------------------------|
| 90.100 | K70150P | Single Level Terminals | Wire Jumper/ Solder Pin/ Card Edge |

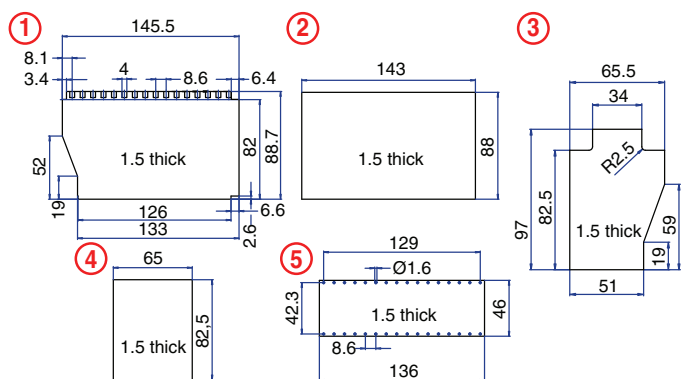
ACCESSORIES

| Accessories | Part Number | Type |
|-----------------|-------------|-------------|
| DIN Rail | 2511120/1M | TS35x7.5/1M |
| Terminal Cover* | 90.100.1 | K70150P/TC1 |

ENCLOSURE DRAWING (To convert to inches divide by 25.4.)

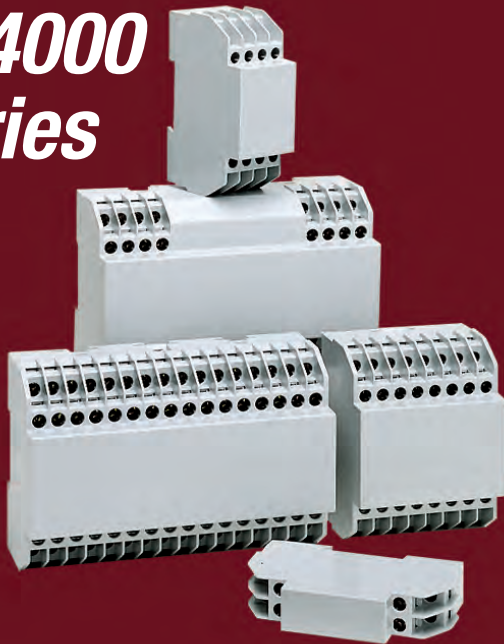


PCB DRAWING (To convert to inches divide by 25.4.)



* Note: Need two Terminal Covers. unused space

KU4000 Series



Versatile, compact enclosures are ideal for applications with space constraints and for mounting within large international style enclosures with 45mm (1.77 in.) cutouts, such as Altech's EK and AK series nonmetallic enclosures. Small to medium in size, KU4000 enclosures offer 8 to 64 terminals for field wire connections. Pressure plate or spring cage terminals are standard. The KU4000 series are equipped with double level terminals which provide a maximum number of external connections in a minimal amount of space. Standard enclosures are supplied as kits, containing the base, cover and the maximum number of terminals.

MATERIALS

Housing

Housing Shell: Polycarbonate, 10% Glass Filled

Base: Polycarbonate, 10% Glass Filled

Terminals

Terminal Pins: Tinned Steel

Pressure Plate: Chromated Steel

Terminal Screws: Chromated Steel

Spring Clamps: Stainless Steel

Temperature Rating: 110°C (230°F) UL94VO

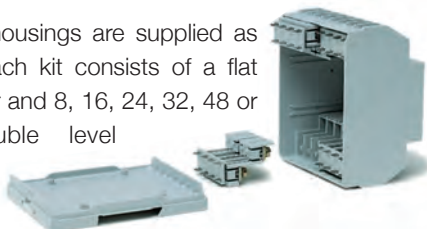
Standard Color: Light Gray

PROTECTION

KU4000 enclosures have an IP20 rating (finger protected) and meet VBG4 and other European accident prevention requirements.

CONSTRUCTION

The KU4000 series housings are supplied as unassembled kits. Each kit consists of a flat base, a housing cover and 8, 16, 24, 32, 48 or 64 terminals. Double level terminals keep the enclosure size to a

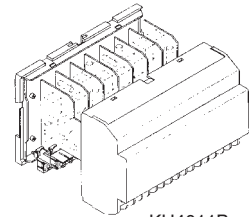


minimum, and yet, due to the innovative housing design, relatively large components can be mounted inside.

The terminals are machine solderable and have straight or right angle pins, depending on enclosure type (Type C has straight pins, Type B has right angle pins). We can also supply enclosures with fewer than the maximum number of terminals, please contact us with your requirements.

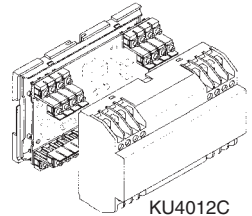
The KU4000 series are available in five widths, and are supplied with terminals in three standard positions:

- Terminals on top and bottom
- Terminals on one side only
- Terminals at both ends, the center area has no terminals.



KU4011B

Cover plugs are available as accessories and can be plugged into unused screw holes and wire entries. Plugs are offered as sets, consisting of one screw-hole cover and one wire entry cover (**Refer to Accessories in the Ordering Pages**).



KU4012C

Integral printed circuit board guides are molded into the housing cover to save time when inserting boards. They also prevent misconnections and keep the boards from moving.

Printed circuit boards can be mounted in three ways:

- Horizontally, parallel with the base
- Vertically, perpendicular to the base
- Vertically, parallel with the DIN rail

One large board can be mounted against the base of the enclosure (parallel with the base) using terminals with straight solder pins. Boards can also be mounted vertically (perpendicular to the base) by using terminals with right angle solder pins, or vertically (parallel with the DIN rail) by using a wire jumper connection.

(Refer to the Ordering Pages).

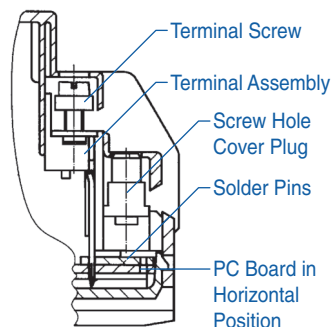
The face of the cover is 45mm (1.77 in.) high, and can be mounted into standard DIN distribution systems which have 45mm cutouts like Altech's EK and AK series of industrial enclosures. Mount the KU4000 enclosures together with circuit breakers and other DIN rail mount devices which also meet the 45mm standard. Removal of the housing cover is possible for service and repair after disconnecting the wires. KU4000 covers cannot be potted without taking special steps.



EK Series Industrial Enclosure

TERMINALS

Pressure plate terminals are standard for the KU4000 enclosure and ensure a vibration proof connection. The pressure plate, which is captive to the terminal screw, automatically rises when the screw is loosened. One or two wires of equal or different sizes up to 2.5mm² (14 AWG) can be terminated in each terminal. The grooved corners of the pressure plate ensure positive retention of the wires. The flat bottom of the terminal extends to the inside of the enclosure and provides the terminal-to-board connection. The terminal screws can be turned by a flat tip or a #2 Pozidriv screwdriver.



The KU4000 series is also available with spring cage terminals. The terminal is opened by applying pressure with a screwdriver to open the clamp. Once the wire is inserted, the screwdriver is removed, creating a vibration proof connection to the wire.

TERMINAL-TO-BOARD CONNECTIONS

The KU4000 series offers several fixed terminal-to-board connection possibilities. (Refer to the Ordering Pages for connection types.)

Wire Jumper connections can be made by soldering a wire jumper between the center hole of the right angle solder pins and the printed circuit board(s). Upon soldering, the board is installed into the enclosure complete with terminals and other components.

All KU4000 terminals have **Machine Solderable Pins**, which can be machine soldered to the board(s) in the same step as the other components, saving assembly time.

MOUNTING

The KU4000 enclosures snap onto standard 35mm DIN rail or can be panel mounted. Mount one or several enclosures together, or mix them with other DIN rail mounted devices such as terminal blocks, circuit breakers, etc. The choice is yours.

MARKING

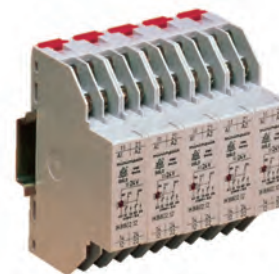
The KU4000 series have large marking areas on the front of the cover.

ACCESSORIES

- Cover Plugs for Screw Hole and Wire Entries
- Screws for Mounting Printed Circuit Board
- Pull-Out Panel Mounting Tabs
- 35mm DIN Rail

CUSTOMIZATION

We can supply the KU4000, series enclosure kits with the exact number of terminals to meet your requirements. Enclosures can also be customized with cutouts and holes. Custom colors and special markings are also available.



Enclosure Mounting Procedures

DIN Rail Mounting

The top of the enclosure base has notches molded onto the sides. The bottom of the base has one spring-loaded tab that is factory installed into a molded guide for DIN rail mounting.

When mounting, tilt the bottom of the enclosure slightly away from the rail until the notches grab onto the top flange of the DIN rail. Push the bottom of the enclosure forward towards the DIN rail. The spring-loaded tab will snap onto the bottom of the rail and hold the enclosure firmly in place.



To remove the enclosure from the DIN rail, insert a screwdriver into the exposed slot in the tab and pull the tab down. Pull enclosure forward and remove from the rail.

Panel Mounting

To mount enclosures on a panel or any flat surface, at least one tab must be in place on the top and on the bottom of the enclosure base in the panel mount position. Standard enclosures are supplied with one tab on the bottom for DIN rail mounting.

Install one or more additional tabs (**see Accessories in the Ordering Pages**) into molded tab guides on the back of the enclosure base. Move the pre-installed bottom tab from the DIN rail position to the panel mount position.

To move the tab, insert a screwdriver under the spring pin, lift it and pull the tab forward until it extends approximately 6mm (.25 in.) from the enclosure. Release pin and lock the tab in the panel mount position.

We can supply the enclosures already set up for panel mounting if desired. (**Please specify when ordering**).

KU4000 Series

8 Terminal

Vertical PCB
Screw Clamp



TECHNICAL INFORMATION

Electrical:

16A, 300V, 22-14 AWG

Housing Material:

Glass-filled Polycarbonate

Temperature Range:

Up to 125°C (257°F)

Flammability Rating:

UL94 V-O

Color:

Light Gray

Terminal Type:

Screw / Pressure Plate

Terminal Screw Size:

M3.5

Recommended Torque:

0.8Nm

Max. PCB's:

(1) Vertical

Mounting:

35mm DIN Rail or optional panel mounting*

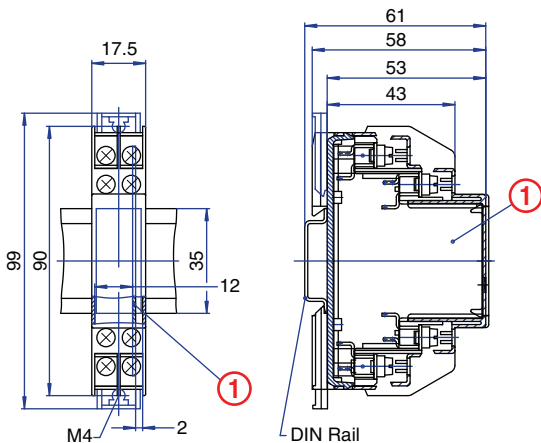
ORDERING INFORMATION

| Part Number | Type | Description | PCB Connection |
|-------------|---------|------------------|--------------------------------|
| 91.201 | KU4001B | Right Angle Pins | Machine Solder/ Wire Jumper |

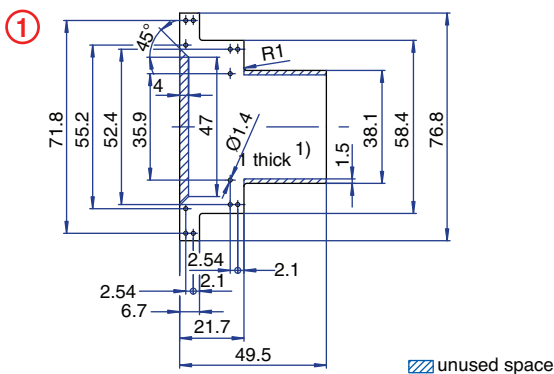
ACCESSORIES

| Accessories | Part Number | Type |
|--|-------------|-------------|
| 1 Meter DIN Rail | 2511120/1M | TS35x7.5/1M |
| Screw-hole and Wire-Entry Cover Plug Set | 91.201.1 | SHPC |
| *Panel Mount Tab | 93.001.5 | PMA/KU |

ENCLOSURE DRAWING (To convert to inches divide by 25.4.)



PCB DRAWING (To convert to inches divide by 25.4.)



8 Terminal

Horizontal PCB
Screw Clamp



TECHNICAL INFORMATION

Electrical:

16A, 300V, 22-14 AWG

Housing Material:

Glass-filled Polycarbonate

Temperature Range:

Up to 125°C (257°F)

Flammability Rating:

UL94 V-O

Color:

Light Gray

Terminal Type:

Screw / Pressure Plate

Terminal Screw Size:

M3.5

Recommended Torque:

0.8Nm

Max. PCB's:

(1) Horizontal

Mounting:

35mm DIN Rail or optional panel mounting*

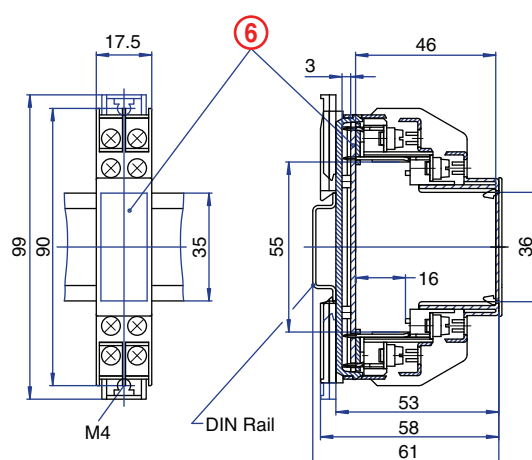
ORDERING INFORMATION

| Part Number | Type | Description | PCB Connection |
|-------------|---------|---------------|----------------|
| 91.202 | KU4001C | Straight Pins | Machine Solder |

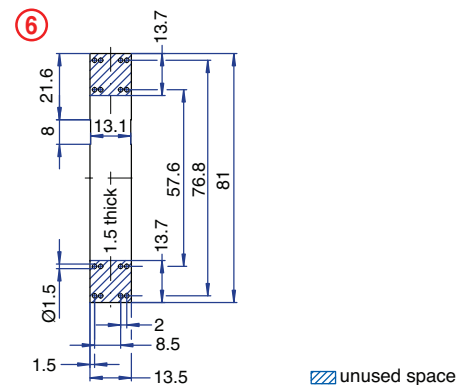
ACCESSORIES

| Accessories | Part Number | Type |
|--|-------------|-------------|
| 1 Meter DIN Rail | 2511120/1M | TS35x7.5/1M |
| Screw-hole and Wire-Entry Cover Plug Set | 91.201.1 | SHPC |
| *Panel Mount Tab | 93.001.5 | PMA/KU |

ENCLOSURE DRAWING (To convert to inches divide by 25.4.)



PCB DRAWING (To convert to inches divide by 25.4.)



8 Terminal

Vertical PCB
Spring Clamp



TECHNICAL INFORMATION

Electrical: 10A, 300V, 26-14 AWG
Housing Material: Glass-filled Polycarbonate
Temperature Range: Up to 125°C (257°F)
Flammability Rating: UL94 V-O
Color: Light Gray

Terminal Type: Spring Cage Clamp
Terminal Screw Size: –
Recommended Torque: –
Max. PCB's: (1) Vertical
Mounting: 35mm DIN Rail or optional panel mounting*

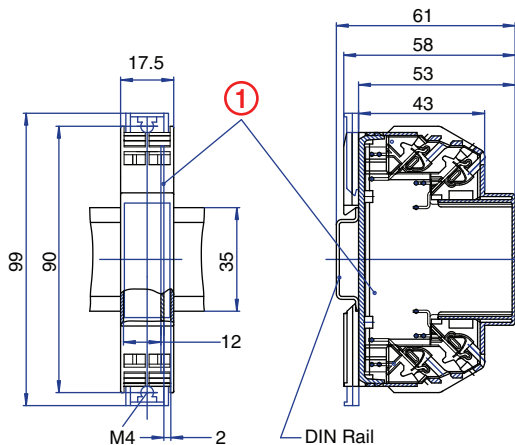
ORDERING INFORMATION

| Part Number | Type | Description | PCB Connection |
|-------------|---------|------------------|--------------------------------|
| 91.501 | KU4037B | Right Angle Pins | Machine Solder/ Wire Jumper |

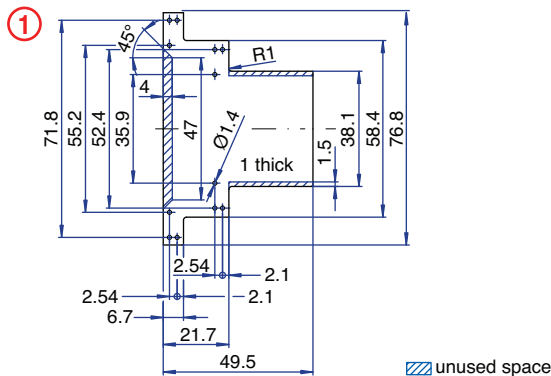
ACCESSORIES

| Accessories | Part Number | Type |
|------------------|-------------|-------------|
| 1 Meter DIN Rail | 2511120/1M | TS35x7.5/1M |
| *Panel Mount Tab | 93.001.5 | PMA/KU |

ENCLOSURE DRAWING (To convert to inches divide by 25.4.)



PCB DRAWING (To convert to inches divide by 25.4.)



8 Terminal

Horizontal PCB
Spring Clamp



TECHNICAL INFORMATION

Electrical: 10A, 300V, 26-14 AWG
Housing Material: Glass-filled Polycarbonate
Temperature Range: Up to 125°C (257°F)
Flammability Rating: UL94 V-O
Color: Light Gray

Terminal Type: Spring Cage Clamp
Terminal Screw Size: –
Recommended Torque: –
Max. PCB's: (1) Horizontal
Mounting: 35mm DIN Rail or optional panel mounting*

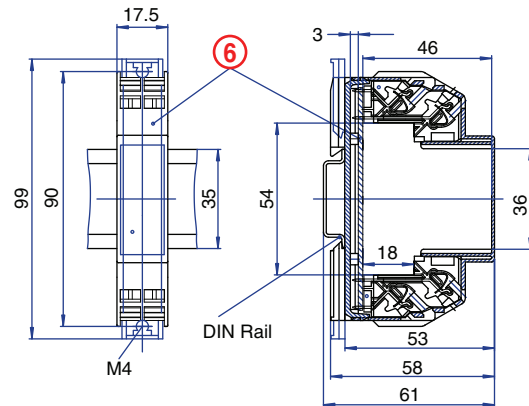
ORDERING INFORMATION

| Part Number | Type | Description | PCB Connection |
|-------------|---------|---------------|----------------|
| 91.502 | KU4037C | Straight Pins | Machine Solder |

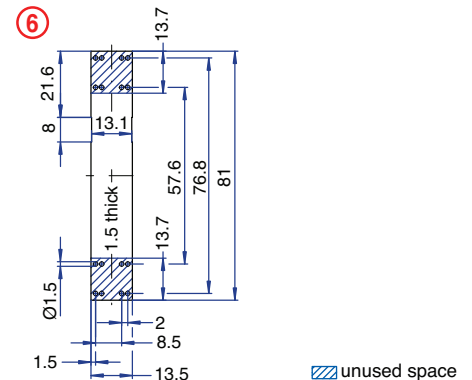
ACCESSORIES

| Accessories | Part Number | Type |
|------------------|-------------|-------------|
| 1 Meter DIN Rail | 2511120/1M | TS35x7.5/1M |
| *Panel Mount Tab | 93.001.5 | PMA/KU |

ENCLOSURE DRAWING (To convert to inches divide by 25.4.)



PCB DRAWING (To convert to inches divide by 25.4.)



KU4000 Series

8 Terminal

Tall Vertical PCB
Screw Clamp



TECHNICAL INFORMATION

| | |
|--|---|
| Electrical: 16A, 300V, 22-14 AWG | Terminal Type: Screw / Pressure Plate |
| Housing Material: Glass-filled Polycarbonate | Terminal Screw Size: M3.5 |
| Temperature Range: Up to 125°C (257°F) | Recommended Torque: 0.8Nm |
| Flammability Rating: UL94 V-O | Max. PCB's: (1) Vertical |
| Color: Light Gray | Mounting: 35mm DIN Rail or optional panel mounting* |

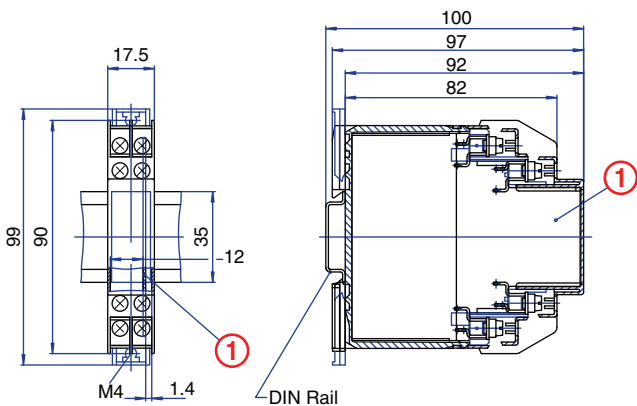
ORDERING INFORMATION

| Part Number | Type | Description | PCB Connection |
|-------------|----------|------------------|--------------------------------|
| 91.203 | KU4001BT | Right Angle Pins | Machine Solder/ Wire Jumper |

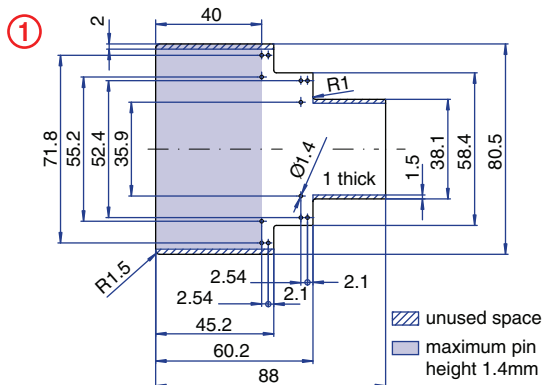
ACCESSORIES

| Accessories | Part Number | Type |
|--|-------------|-------------|
| 1 Meter DIN Rail | 2511120/1M | TS35x7.5/1M |
| Screw-hole and Wire-Entry Cover Plug Set | 91.201.1 | SHPC |
| *Panel Mount Tab | 93.001.5 | PMA/KU |

ENCLOSURE DRAWING (To convert to inches divide by 25.4.)



PCB DRAWING (To convert to inches divide by 25.4.)



8 Terminal

Tall Vertical PCB
Spring Clamp



TECHNICAL INFORMATION

| | |
|--|---|
| Electrical: 10A, 300V, 26-14 AWG | Terminal Type: Spring Cage Clamp |
| Housing Material: Glass-filled Polycarbonate | Terminal Screw Size: - |
| Temperature Range: Up to 125°C (257°F) | Recommended Torque: - |
| Flammability Rating: UL94 V-O | Max. PCB's: (1) Vertical |
| Color: Light Gray | Mounting: 35mm DIN Rail or optional panel mounting* |

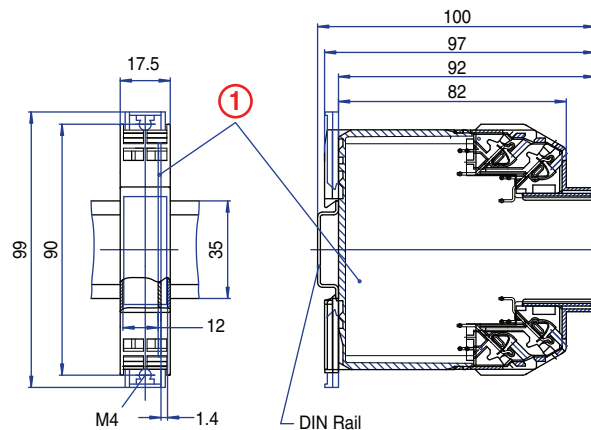
ORDERING INFORMATION

| Part Number | Type | Description | PCB Connection |
|-------------|----------|------------------|--------------------------------|
| 91.503 | KU4037BT | Right Angle Pins | Machine Solder/ Wire Jumper |

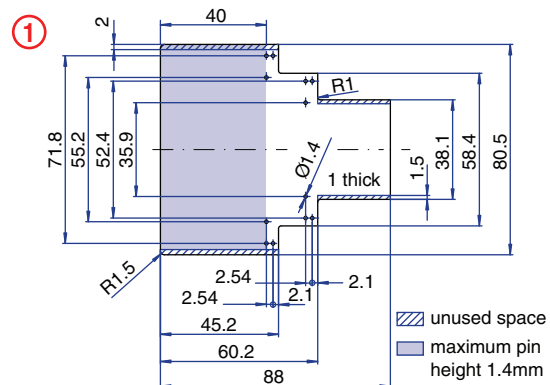
ACCESSORIES

| Accessories | Part Number | Type |
|------------------|-------------|-------------|
| 1 Meter DIN Rail | 2511120/1M | TS35x7.5/1M |
| *Panel Mount Tab | 93.001.5 | PMA/KU |

ENCLOSURE DRAWING (To convert to inches divide by 25.4.)



PCB DRAWING (To convert to inches divide by 25.4.)



12 Terminal
with 8 Standard and
4 High Current Terminals
Vertical PCB
Screw Clamp



TECHNICAL INFORMATION

Electrical:

Standard Terminal:
16A, 300V, 22-14 AWG
High Current Terminal:
50A, 300V, 18-8 AWG

Housing Material:

Glass-filled Polycarbonate

Temperature Range:

Up to 125°C (257°F)

Flammability Rating:

UL94 V-O

Color:

Light Gray

Terminal Type:

Standard: Screw/Pressure Plate
High Current: Box Clamp

Terminal Screw Size:

M3.5 / M4

Recommended Torque:

0.8Nm/1.2Nm

Max. PCB's:

(1) Vertical

Mounting:

35mm DIN Rail or
optional panel mounting*

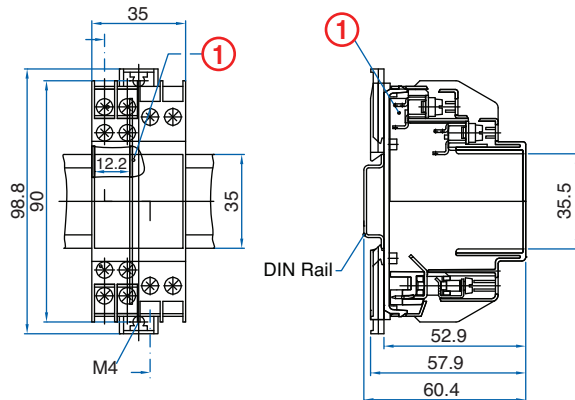
ORDERING INFORMATION

| Part Number | Type | Description | PCB Connection |
|-------------|-----------|------------------|--------------------------------|
| 91.710 | KU4088BHC | Right Angle Pins | Machine Solder/ Wire Jumper |

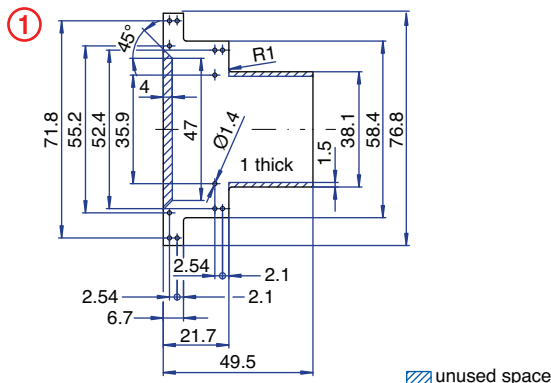
ACCESSORIES

| Accessories | Part Number | Type |
|---|-------------|-------------|
| 1 Meter DIN Rail | 2511120/1M | TS35x7.5/1M |
| Screw-hole and Wire-Entry Cover Plug Set | 91.201.1 | SHPC |
| *Panel Mount Tab | 93.001.5 | PMA/KU |

ENCLOSURE DRAWING (To convert to inches divide by 25.4.)



PCB DRAWING (To convert to inches divide by 25.4.)



12 Terminal
with 8 Standard and
4 High Current Terminals
Horizontal PCB
Screw Clamp



TECHNICAL INFORMATION

Electrical:

Standard Terminal:
16A, 300V, 22-14 AWG
High Current Terminal:
50A, 300V, 18-8 AWG

Housing Material:

Glass-filled Polycarbonate

Temperature Range:

Up to 125°C (257°F)

Flammability Rating:

UL94 V-O

Color:

Light Gray

Terminal Type:

Standard: Screw/Pressure Plate
High Current: Box Clamp

Terminal Screw Size:

M3.5 / M4

Recommended Torque:

0.8Nm/1.2Nm

Max. PCB's:

(1) Horizontal

Mounting:

35mm DIN Rail or
optional panel mounting*

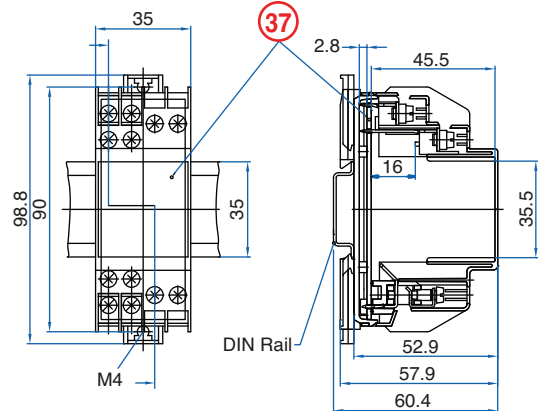
ORDERING INFORMATION

| Part Number | Type | Description | PCB Connection |
|-------------|-----------|---------------|--------------------------------|
| 91.720 | KU4088CHC | Straight Pins | Machine Solder/ Wire Jumper |

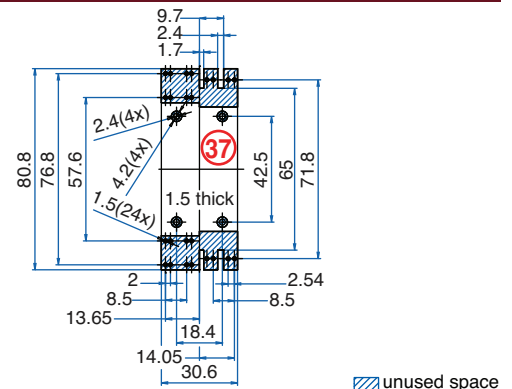
ACCESSORIES

| Accessories | Part Number | Type |
|---|-------------|-------------|
| 1 Meter DIN Rail | 2511120/1M | TS35x7.5/1M |
| Screw-hole and Wire-Entry Cover Plug Set | 91.201.1 | SHPC |
| *Panel Mount Tab | 93.001.5 | PMA/KU |

ENCLOSURE DRAWING (To convert to inches divide by 25.4.)



PCB DRAWING (To convert to inches divide by 25.4.)



KU4000 Series

16 Terminal

Vertical PCB
Screw Clamp



TECHNICAL INFORMATION

Electrical:

16A, 300V, 22-14 AWG

Housing Material:

Glass-filled Polycarbonate

Temperature Range:

Up to 125°C (257°F)

Flammability Rating:

UL94 V-O

Color:

Light Gray

Terminal Type:

Screw / Pressure Plate

Terminal Screw Size:

M3.5

Recommended Torque:

0.8Nm

Max. PCB's:

(2) Vertical

Mounting:

35mm DIN Rail or optional panel mounting*

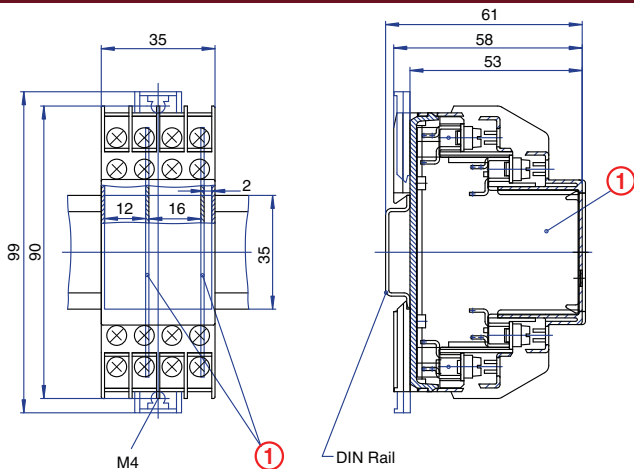
ORDERING INFORMATION

| Part Number | Type | Description | PCB Connection |
|-------------|---------|------------------|--------------------------------|
| 91.240 | KU4002B | Right Angle Pins | Machine Solder/ Wire Jumper |

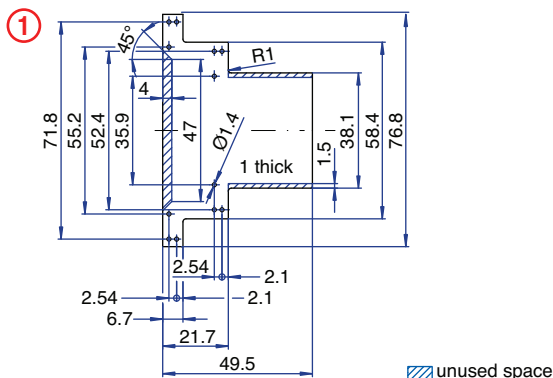
ACCESSORIES

| Accessories | Part Number | Type |
|--|-------------|-------------|
| 1 Meter DIN Rail | 2511120/1M | TS35x7.5/1M |
| Screw-hole and Wire-Entry Cover Plug Set | 91.201.1 | SHPC |
| *Panel Mount Tab | 93.001.5 | PMA/KU |

ENCLOSURE DRAWING (To convert to inches divide by 25.4.)



PCB DRAWING (To convert to inches divide by 25.4.)



16 Terminal

Horizontal PCB
Screw Clamp



TECHNICAL INFORMATION

Electrical:

16A, 300V, 22-14 AWG

Housing Material:

Glass-filled Polycarbonate

Temperature Range:

Up to 125°C (257°F)

Flammability Rating:

UL94 V-O

Color:

Light Gray

Terminal Type:

Screw / Pressure Plate

Terminal Screw Size:

M3.5

Recommended Torque:

0.8Nm

Max. PCB's:

(1) Horizontal

Mounting:

35mm DIN Rail or optional panel mounting*

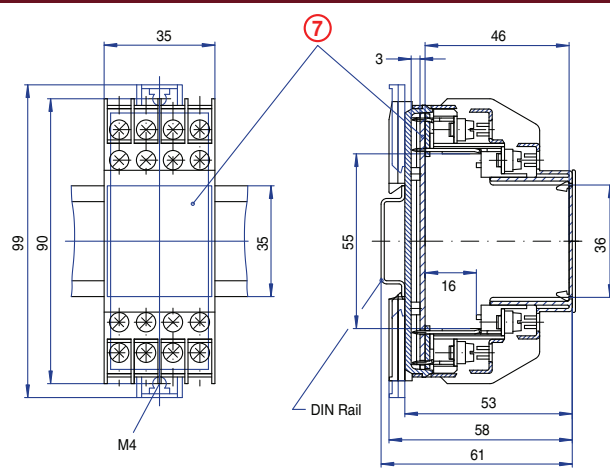
ORDERING INFORMATION

| Part Number | Type | Description | PCB Connection |
|-------------|---------|---------------|----------------|
| 91.220 | KU4002C | Straight Pins | Machine Solder |

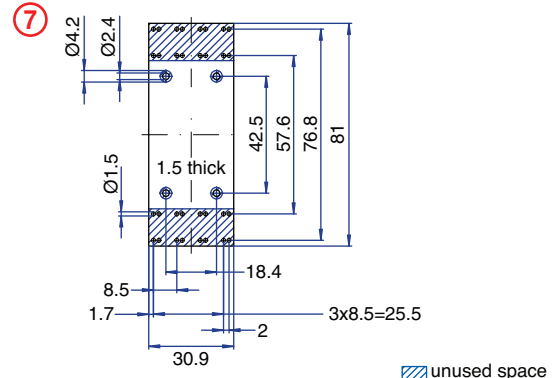
ACCESSORIES

| Accessories | Part Number | Type |
|--|-------------|-------------|
| 1 Meter DIN Rail | 2511120/1M | TS35x7.5/1M |
| Screw-hole and Wire-Entry Cover Plug Set | 91.201.1 | SHPC |
| *Panel Mount Tab | 93.001.5 | PMA/KU |

ENCLOSURE DRAWING (To convert to inches divide by 25.4.)



PCB DRAWING (To convert to inches divide by 25.4.)



16 Terminal
Vertical PCB
Spring Clamp



TECHNICAL INFORMATION

Electrical: 10A, 300V, 26-14 AWG
Housing Material: Glass-filled Polycarbonate
Temperature Range: Up to 125°C (257°F)
Flammability Rating: UL94 V-O
Color: Light Gray

Terminal Type: Spring Cage Clamp
Terminal Screw Size: –
Recommended Torque: –
Max. PCB's: (2) Vertical
Mounting: 35mm DIN Rail or optional panel mounting*

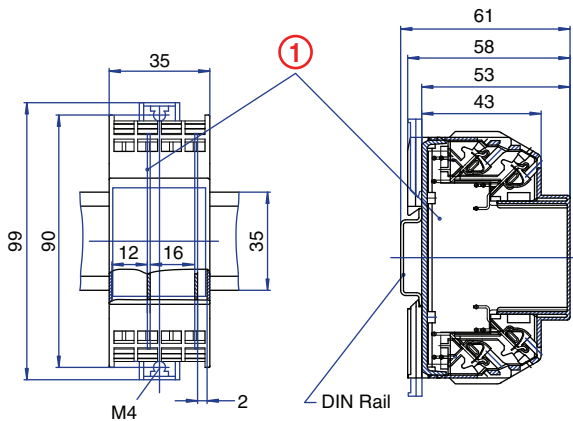
ORDERING INFORMATION

| Part Number | Type | Description | PCB Connection |
|-------------|---------|------------------|--------------------------------|
| 91.540 | KU4038B | Right Angle Pins | Machine Solder/ Wire Jumper |

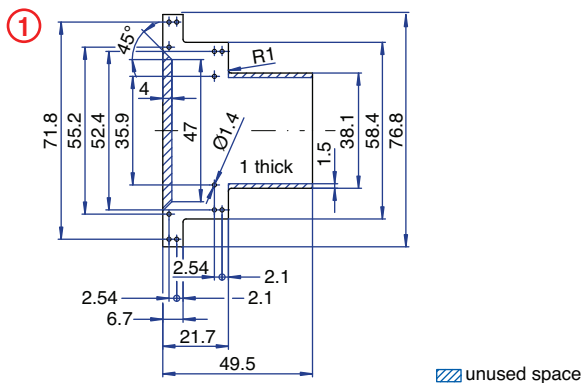
ACCESSORIES

| Accessories | Part Number | Type |
|------------------|-------------|-------------|
| 1 Meter DIN Rail | 2511120/1M | TS35x7.5/1M |
| *Panel Mount Tab | 93.001.5 | PMA/KU |

ENCLOSURE DRAWING (To convert to inches divide by 25.4.)



PCB DRAWING (To convert to inches divide by 25.4.)



16 Terminal
Horizontal PCB
Spring Clamp



TECHNICAL INFORMATION

Electrical: 10A, 300V, 26-14 AWG
Housing Material: Glass-filled Polycarbonate
Temperature Range: Up to 125°C (257°F)
Flammability Rating: UL94 V-O
Color: Light Gray

Terminal Type: Spring Cage Clamp
Terminal Screw Size: –
Recommended Torque: –
Max. PCB's: (1) Horizontal
Mounting: 35mm DIN Rail or optional panel mounting*

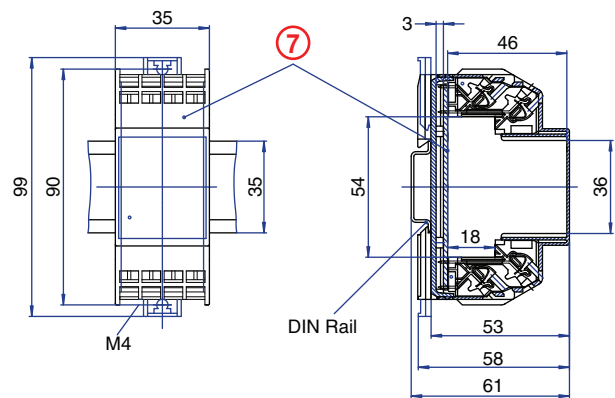
ORDERING INFORMATION

| Part Number | Type | Description | PCB Connection |
|-------------|---------|---------------|----------------|
| 91.520 | KU4038C | Straight Pins | Machine Solder |

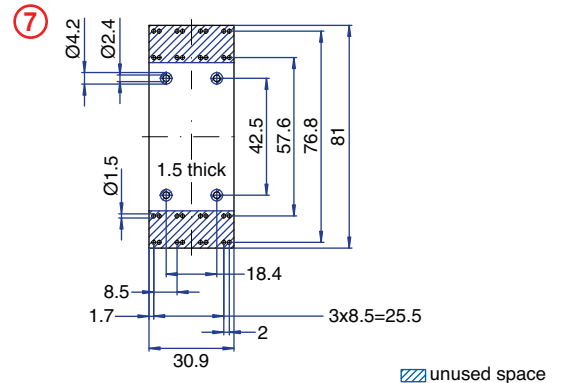
ACCESSORIES

| Accessories | Part Number | Type |
|------------------|-------------|-------------|
| 1 Meter DIN Rail | 2511120/1M | TS35x7.5/1M |
| *Panel Mount Tab | 93.001.5 | PMA/KU |

ENCLOSURE DRAWING (To convert to inches divide by 25.4.)



PCB DRAWING (To convert to inches divide by 25.4.)



KU4000 Series

16 Terminal

Tall Vertical PCB
Screw Clamp



TECHNICAL INFORMATION

Electrical:

16A, 300V, 22-14 AWG

Housing Material:

Glass-filled Polycarbonate

Temperature Range:

Up to 125°C (257°F)

Flammability Rating:

UL94 V-O

Color:

Light Gray

Terminal Type:

Screw / Pressure Plate

Terminal Screw Size:

M3.5

Recommended Torque:

0.8Nm

Max. PCB's:

(2) Vertical

Mounting:

35mm DIN Rail or optional panel mounting*

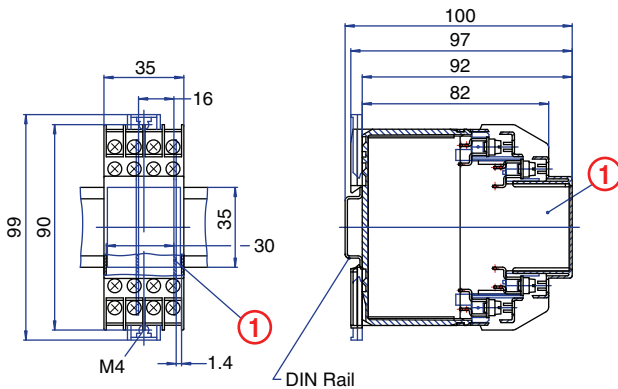
ORDERING INFORMATION

| Part Number | Type | Description | PCB Connection |
|-------------|----------|------------------|--------------------------------|
| 91.243 | KU4002BT | Right Angle Pins | Machine Solder/ Wire Jumper |

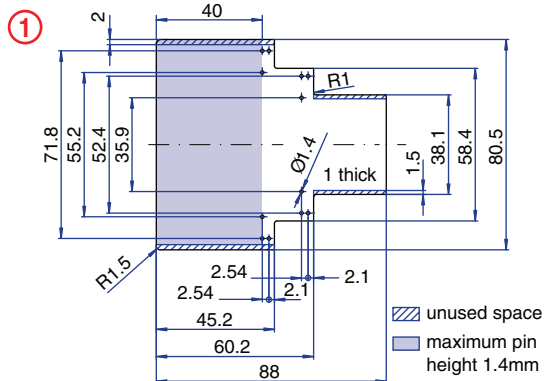
ACCESSORIES

| Accessories | Part Number | Type |
|--|-------------|-------------|
| 1 Meter DIN Rail | 2511120/1M | TS35x7.5/1M |
| Screw-hole and Wire-Entry Cover Plug Set | 91.201.1 | SHPC |
| *Panel Mount Tab | 93.001.5 | PMA/KU |

ENCLOSURE DRAWING (To convert to inches divide by 25.4.)



PCB DRAWING (To convert to inches divide by 25.4.)



16 Terminal

Tall Vertical PCB
Spring Clamp



TECHNICAL INFORMATION

Electrical:

10A, 300V, 26-14 AWG

Housing Material:

Glass-filled Polycarbonate

Temperature Range:

Up to 125°C (257°F)

Flammability Rating:

UL94 V-O

Color:

Light Gray

Terminal Type:

Spring Cage Clamp

Terminal Screw Size:

-

Recommended Torque:

-

Max. PCB's:

(2) Vertical

Mounting:

35mm DIN Rail or optional panel mounting*

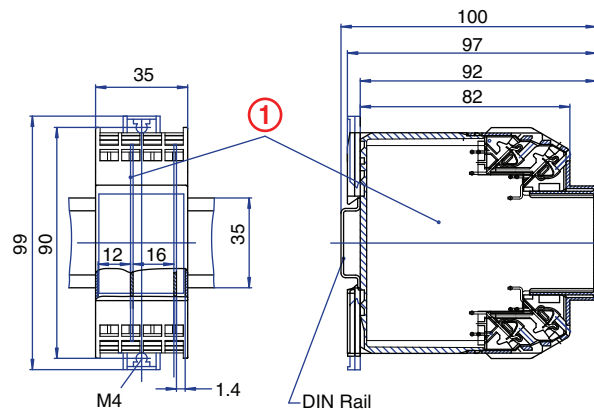
ORDERING INFORMATION

| Part Number | Type | Description | PCB Connection |
|-------------|----------|------------------|--------------------------------|
| 91.543 | KU4038BT | Right Angle Pins | Machine Solder/ Wire Jumper |

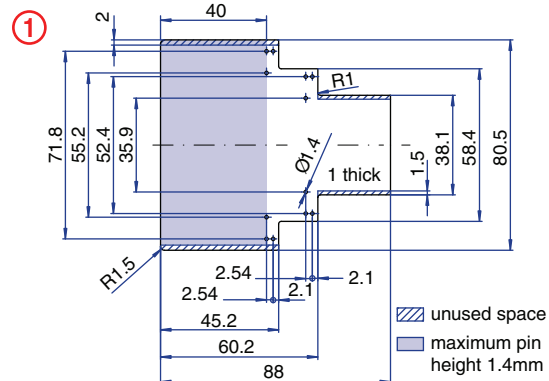
ACCESSORIES

| Accessories | Part Number | Type |
|------------------|-------------|-------------|
| 1 Meter DIN Rail | 2511120/1M | TS35x7.5/1M |
| *Panel Mount Tab | 93.001.5 | PMA/KU |

ENCLOSURE DRAWING (To convert to inches divide by 25.4.)



PCB DRAWING (To convert to inches divide by 25.4.)



24 Terminal

Vertical PCB
Screw Clamp



TECHNICAL INFORMATION

Electrical: 16A, 300V, 22-14 AWG
Housing Material: Glass-filled Polycarbonate
Temperature Range: Up to 125°C (257°F)
Flammability Rating: UL94 V-O
Color: Light Gray

Terminal Type: Screw / Pressure Plate
Terminal Screw Size: M3.5
Recommended Torque: 0.8Nm
Max. PCB's: (3) Vertical
Mounting: 35mm DIN Rail or optional panel mounting*

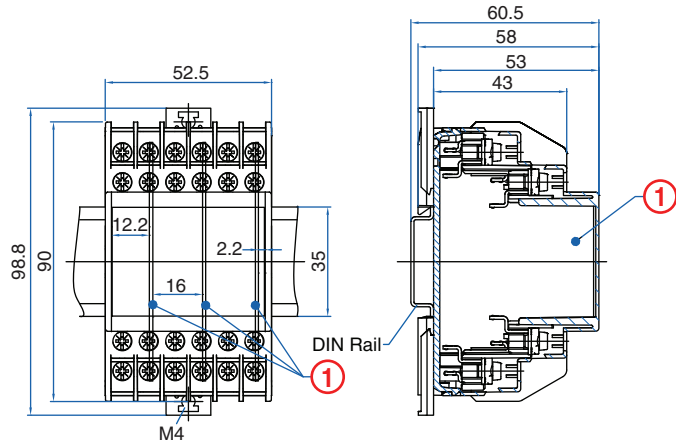
ORDERING INFORMATION

| Part Number | Type | Description | PCB Connection |
|-------------|---------|------------------|--------------------------------|
| 91.440 | KU4084B | Right Angle Pins | Machine Solder/ Wire Jumper |

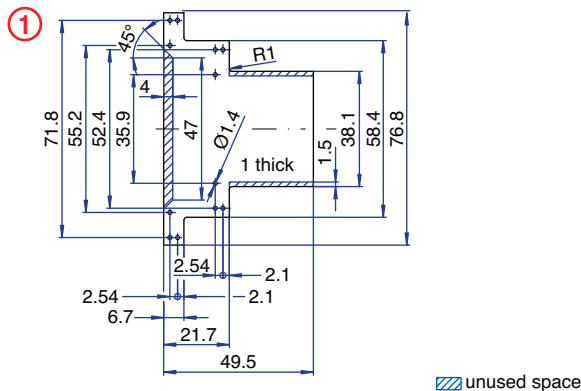
ACCESSORIES

| Accessories | Part Number | Type |
|--|-------------|-------------|
| 1 Meter DIN Rail | 2511120/1M | TS35x7.5/1M |
| Screw-hole and Wire-Entry Cover Plug Set | 91.201.1 | SHPC |
| *Panel Mount Tab | 93.001.5 | PMA/KU |

ENCLOSURE DRAWING (To convert to inches divide by 25.4.)



PCB DRAWING (To convert to inches divide by 25.4.)



24 Terminal

Horizontal PCB
Screw Clamp



TECHNICAL INFORMATION

Electrical: 16A, 300V, 22-14 AWG
Housing Material: Glass-filled Polycarbonate
Temperature Range: Up to 125°C (257°F)
Flammability Rating: UL94 V-O
Color: Light Gray

Terminal Type: Screw / Pressure Plate
Terminal Screw Size: M3.5
Recommended Torque: 0.8Nm
Max. PCB's: (1) Horizontal
Mounting: 35mm DIN Rail or optional panel mounting*

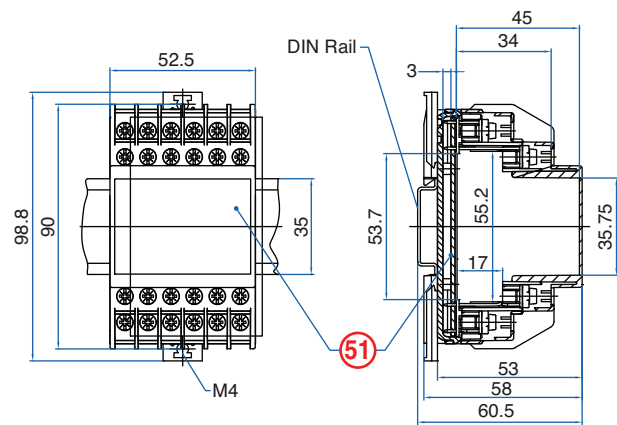
ORDERING INFORMATION

| Part Number | Type | Description | PCB Connection |
|-------------|---------|---------------|----------------|
| 91.420 | KU4084C | Straight Pins | Machine Solder |

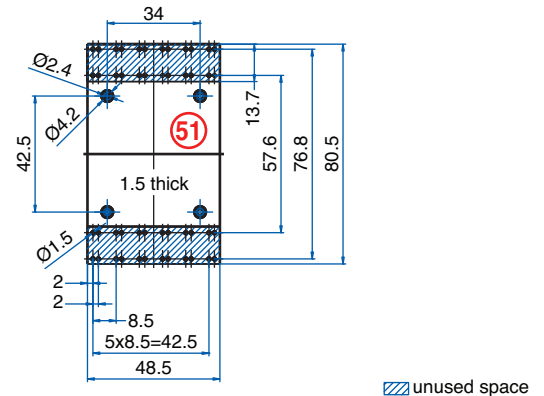
ACCESSORIES

| Accessories | Part Number | Type |
|--|-------------|-------------|
| 1 Meter DIN Rail | 2511120/1M | TS35x7.5/1M |
| Screw-hole and Wire-Entry Cover Plug Set | 91.201.1 | SHPC |
| *Panel Mount Tab | 93.001.5 | PMA/KU |

ENCLOSURE DRAWING (To convert to inches divide by 25.4.)



PCB DRAWING (To convert to inches divide by 25.4.)



KU4000 Series

24 Terminal

Tall Vertical
PCB Screw Clamp



TECHNICAL INFORMATION

Electrical:

16A, 300V, 22-14 AWG

Housing Material:

Glass-filled Polycarbonate

Temperature Range:

Up to 125°C (257°F)

Flammability Rating:

UL94 V-O

Color:

Light Gray

Terminal Type:

Screw / Pressure Plate

Terminal Screw Size:

M3.5

Recommended Torque:

0.8Nm

Max. PCB's:

(3) Vertical

Mounting:

35mm DIN Rail or optional panel mounting*

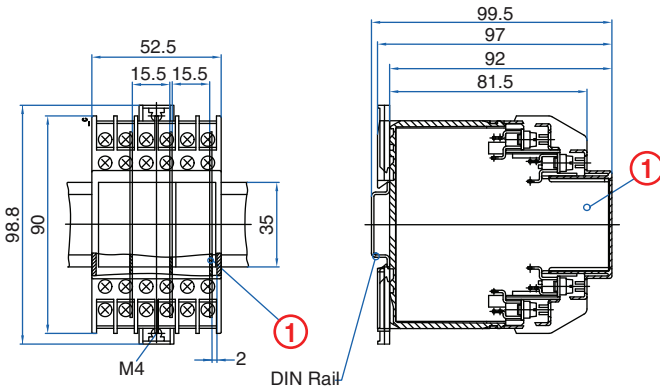
ORDERING INFORMATION

| Part Number | Type | Description | PCB Connection |
|-------------|----------|------------------|--------------------------------|
| 91.443 | KU4084BT | Right Angle Pins | Machine Solder/ Wire Jumper |

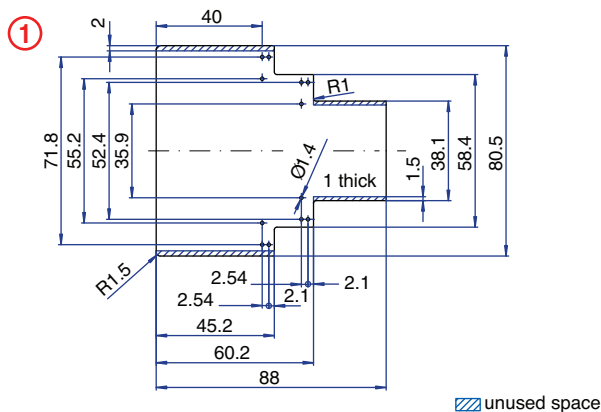
ACCESSORIES

| Accessories | Part Number | Type |
|--|-------------|-------------|
| 1 Meter DIN Rail | 2511120/1M | TS35x7.5/1M |
| Screw-hole and Wire-Entry Cover Plug Set | 91.201.1 | SHPC |
| *Panel Mount Tab | 93.001.5 | PMA/KU |

ENCLOSURE DRAWING (To convert to inches divide by 25.4.)



PCB DRAWING (To convert to inches divide by 25.4.)



24 Terminal
with 16 Standard and
8 High Current Terminals
Vertical PCB
Screw Clamp



TECHNICAL INFORMATION

Electrical:

Standard Terminal:
16A, 300V, 22-14 AWG
High Current Terminal:
50A, 300V, 18-8 AWG

Housing Material:

Glass-filled Polycarbonate

Temperature Range:

Up to 125°C (257°F)

Flammability Rating:

UL94 V-O

Color: Light Gray

Terminal Type:

Standard: Screw/Pressure Plate
High Current: Box Clamp

Terminal Screw Size:

M3.5 / M4

Recommended Torque:

0.8Nm / 1.2Nm

Max. PCB's:

(2) Vertical

Mounting:

35mm DIN Rail or
optional panel mounting*

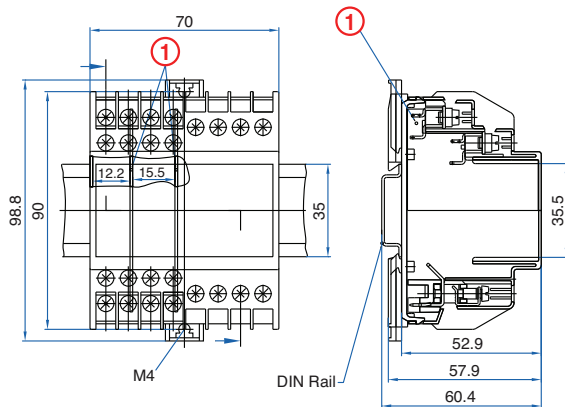
ORDERING INFORMATION

| Part Number | Type | Description | PCB Connection |
|-------------|-----------|------------------|--------------------------------|
| 91.730 | KU4089BHC | Right Angle Pins | Machine Solder/ Wire Jumper |

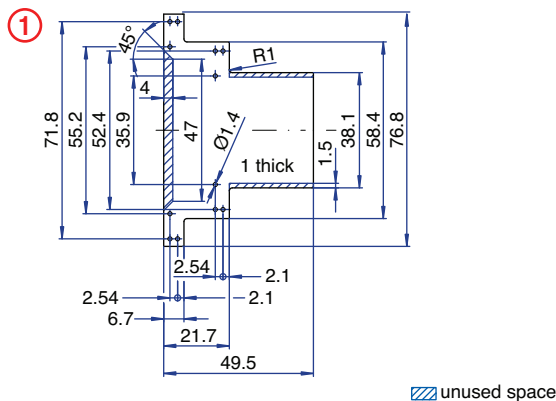
ACCESSORIES

| Accessories | Part Number | Type |
|---|-------------|-------------|
| 1 Meter DIN Rail | 2511120/1M | TS35x7.5/1M |
| Screw-hole and Wire-Entry Cover Plug Set | 91.201.1 | SHPC |
| *Panel Mount Tab | 93.001.5 | PMA/KU |

ENCLOSURE DRAWING (To convert to inches divide by 25.4.)



PCB DRAWING (To convert to inches divide by 25.4.)



24 Terminal
with 16 Standard and
8 High Current Terminals
Horizontal PCB
Screw Clamp



TECHNICAL INFORMATION

Electrical:

Standard Terminal:
16A, 300V, 22-14 AWG
High Current Terminal:
50A, 300V, 18-8 AWG

Housing Material:

Glass-filled Polycarbonate

Temperature Range:

Up to 125°C (257°F)

Flammability Rating:

UL94 V-O

Color: Light Gray

Terminal Type:

Standard: Screw/Pressure Plate
High Current: Box Clamp

Terminal Screw Size:

M3.5 / M4

Recommended Torque:

0.8Nm / 1.2Nm

Max. PCB's:

(1) Horizontal, (2) Vertical

Mounting:

35mm DIN Rail or
optional panel mounting*

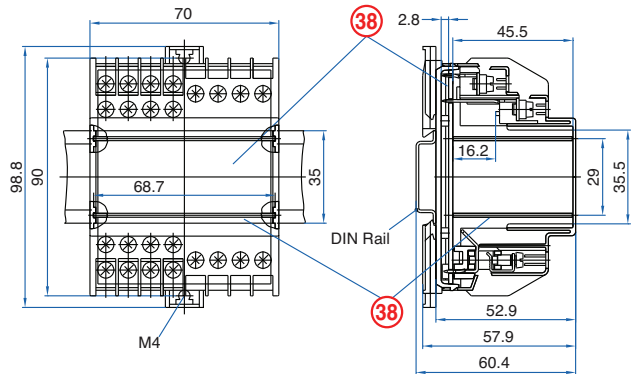
ORDERING INFORMATION

| Part Number | Type | Description | PCB Connection |
|-------------|-----------|---------------|--------------------------------|
| 91.740 | KU4089CHC | Straight Pins | Machine Solder/ Wire Jumper |

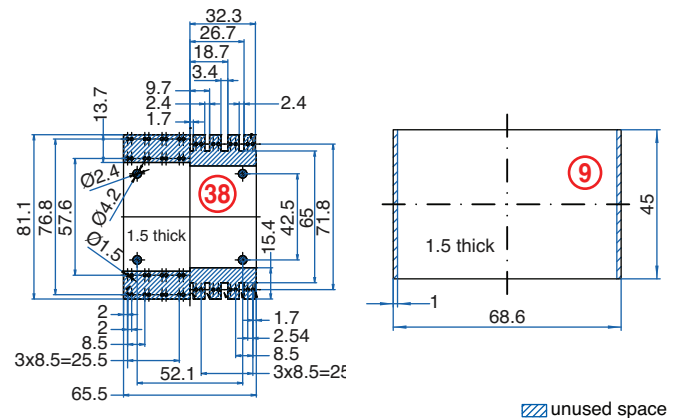
ACCESSORIES

| Accessories | Part Number | Type |
|---|-------------|-------------|
| 1 Meter DIN Rail | 2511120/1M | TS35x7.5/1M |
| Screw-hole and Wire-Entry Cover Plug Set | 91.201.1 | SHPC |
| *Panel Mount Tab | 93.001.5 | PMA/KU |

ENCLOSURE DRAWING (To convert to inches divide by 25.4.)



PCB DRAWING (To convert to inches divide by 25.4.)



KU4000 Series

32 Terminal

Vertical PCB
Screw Clamp



TECHNICAL INFORMATION

Electrical:
16A, 300V, 22-14 AWG

Housing Material:
Glass-filled Polycarbonate

Temperature Range:
Up to 125°C (257°F)

Flammability Rating:
UL94 V-O

Color:
Light Gray

Terminal Type:
Screw / Pressure Plate

Terminal Screw Size:
M3.5

Recommended Torque:
0.8Nm

Max. PCB's:
(4) Vertical

Mounting:
35mm DIN Rail or optional panel mounting*

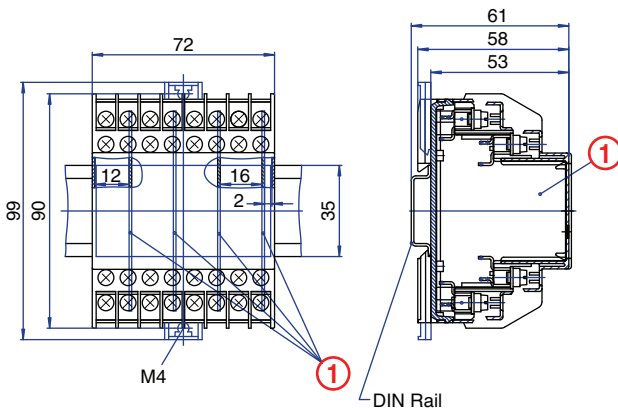
ORDERING INFORMATION

| Part Number | Type | Description | PCB Connection |
|-------------|---------|------------------|--------------------------------|
| 91.280 | KU4003B | Right Angle Pins | Machine Solder/ Wire Jumper |

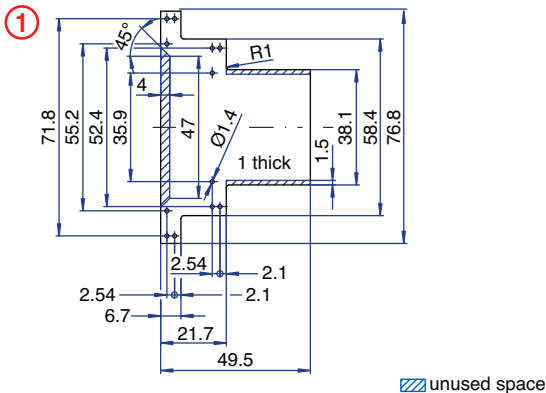
ACCESSORIES

| Accessories | Part Number | Type |
|--|-------------|-------------|
| 1 Meter DIN Rail | 2511120/1M | TS35x7.5/1M |
| Screw-hole and Wire-Entry Cover Plug Set | 91.201.1 | SHPC |
| *Panel Mount Tab | 93.001.5 | PMA/KU |

ENCLOSURE DRAWING (To convert to inches divide by 25.4.)



PCB DRAWING (To convert to inches divide by 25.4.)



32 Terminal

Horizontal PCB
Screw Clamp



TECHNICAL INFORMATION

Electrical:
16A, 300V, 22-14 AWG

Housing Material:
Glass-filled Polycarbonate

Temperature Range:
Up to 125°C (257°F)

Flammability Rating:
UL94 V-O

Color:
Light Gray

Terminal Type:
Screw / Pressure Plate

Terminal Screw Size:
M3.5

Recommended Torque:
0.8Nm

Max. PCB's:
(1) Horizontal, (2) Vertical

Mounting:
35mm DIN Rail or optional panel mounting*

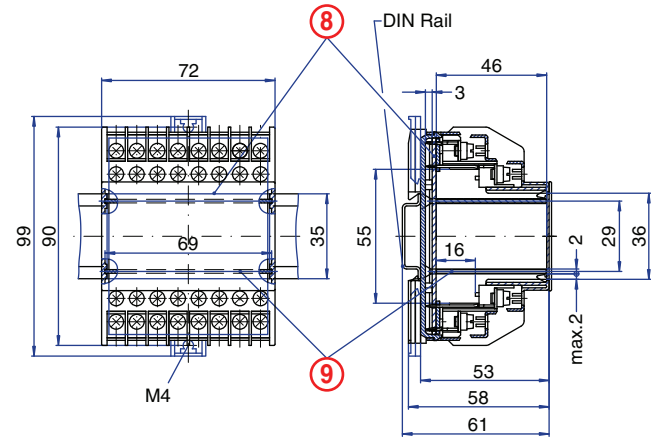
ORDERING INFORMATION

| Part Number | Type | Description | PCB Connection |
|-------------|---------|---------------|----------------|
| 91.260 | KU4003C | Straight Pins | Machine Solder |

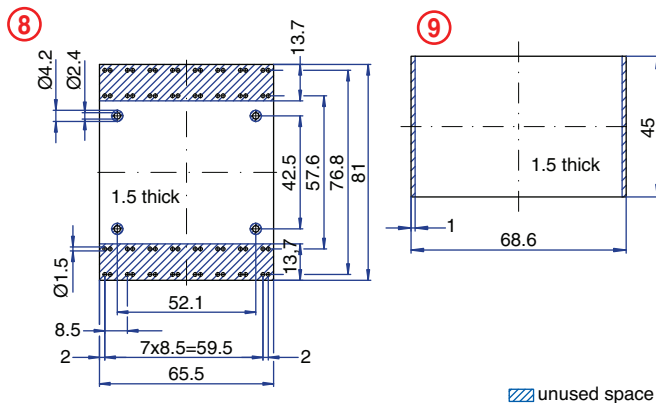
ACCESSORIES

| Accessories | Part Number | Type |
|--|-------------|-------------|
| 1 Meter DIN Rail | 2511120/1M | TS35x7.5/1M |
| Screw-hole and Wire-Entry Cover Plug Set | 91.201.1 | SHPC |
| *Panel Mount Tab | 93.001.5 | PMA/KU |

ENCLOSURE DRAWING (To convert to inches divide by 25.4.)



PCB DRAWING (To convert to inches divide by 25.4.)



32 Terminal

Vertical PCB
Spring Clamp



TECHNICAL INFORMATION

| | |
|--|---|
| Electrical: 10A, 300V, 26-14 AWG | Terminal Type: Spring Cage Clamp |
| Housing Material: Glass-filled Polycarbonate | Terminal Screw Size: - |
| Temperature Range: Up to 125°C (257°F) | Recommended Torque: - |
| Flammability Rating: UL94 V-O | Max. PCB's: (4) Vertical |
| Color: Light Gray | Mounting: 35mm DIN Rail or optional panel mounting* |

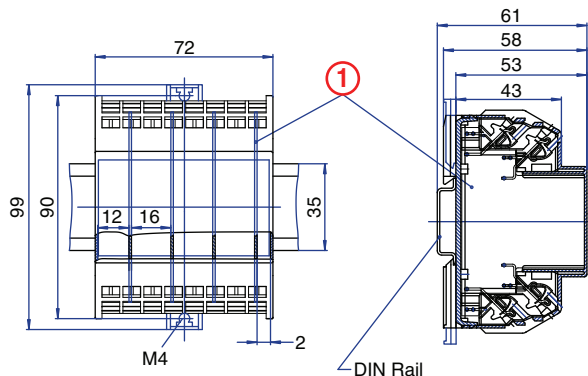
ORDERING INFORMATION

| Part Number | Type | Description | PCB Connection |
|-------------|---------|------------------|--------------------------------|
| 91.580 | KU4039B | Right Angle Pins | Machine Solder/ Wire Jumper |

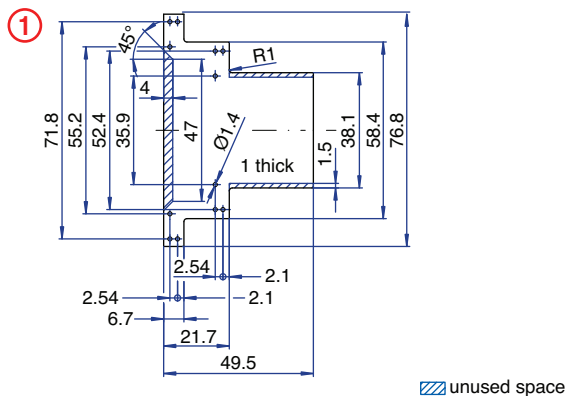
ACCESSORIES

| Accessories | Part Number | Type |
|------------------|-------------|-------------|
| 1 Meter DIN Rail | 2511120/1M | TS35x7.5/1M |
| *Panel Mount Tab | 93.001.5 | PMA/KU |

ENCLOSURE DRAWING (To convert to inches divide by 25.4.)



PCB DRAWING (To convert to inches divide by 25.4.)



32 Terminal

Horizontal PCB
Spring Clamp



TECHNICAL INFORMATION

| | |
|--|---|
| Electrical: 10A, 300V, 26-14 AWG | Terminal Type: Spring Cage Clamp |
| Housing Material: Glass-filled Polycarbonate | Terminal Screw Size: - |
| Temperature Range: Up to 125°C (257°F) | Recommended Torque: - |
| Flammability Rating: UL94 V-O | Max. PCB's: (1) Horizontal |
| Color: Light Gray | Mounting: 35mm DIN Rail or optional panel mounting* |

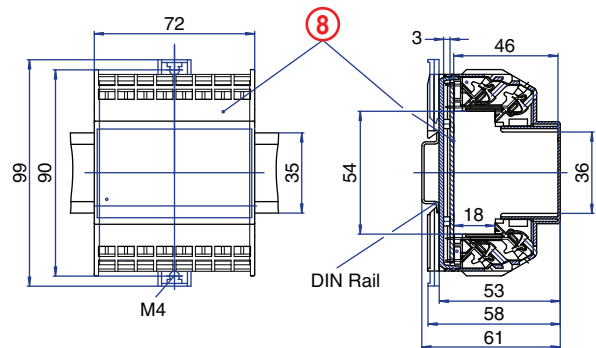
ORDERING INFORMATION

| Part Number | Type | Description | PCB Connection |
|-------------|---------|---------------|----------------|
| 91.560 | KU4039C | Straight Pins | Machine Solder |

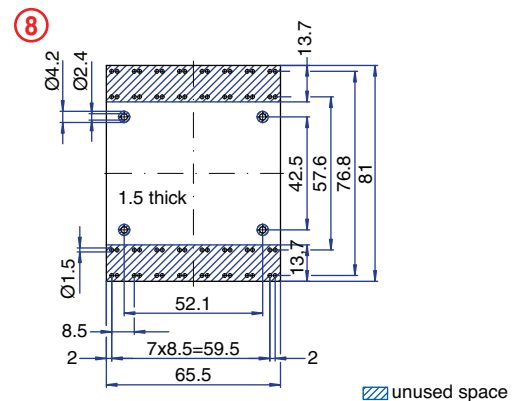
ACCESSORIES

| Accessories | Part Number | Type |
|------------------|-------------|-------------|
| 1 Meter DIN Rail | 2511120/1M | TS35x7.5/1M |
| *Panel Mount Tab | 93.001.5 | PMA/KU |

ENCLOSURE DRAWING (To convert to inches divide by 25.4.)



PCB DRAWING (To convert to inches divide by 25.4.)



KU4000 Series

32 Terminal

Tall Vertical
PCB Screw Clamp



TECHNICAL INFORMATION

Electrical: 16A, 300V, 22-14 AWG
Housing Material: Glass-filled Polycarbonate
Temperature Range: Up to 125°C (257°F)
Flammability Rating: UL94 V-O
Color: Light Gray

Terminal Type: Screw / Pressure Plate
Terminal Screw Size: M3.5
Recommended Torque: 0.8Nm
Max. PCB's: (4) Vertical
Mounting: 35mm DIN Rail or optional panel mounting*

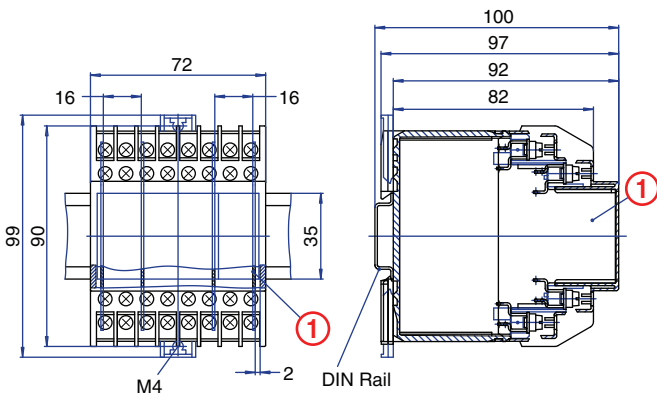
ORDERING INFORMATION

| Part Number | Type | Description | PCB Connection |
|-------------|----------|------------------|--------------------------------|
| 91.283 | KU4003BT | Right Angle Pins | Machine Solder/ Wire Jumper |

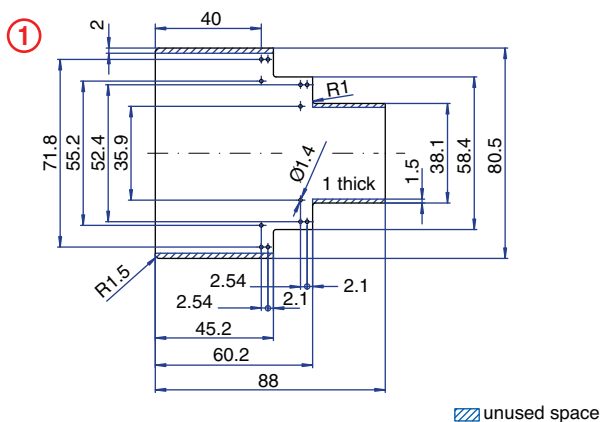
ACCESSORIES

| Accessories | Part Number | Type |
|--|-------------|-------------|
| 1 Meter DIN Rail | 2511120/1M | TS35x7.5/1M |
| Screw-hole and Wire-Entry Cover Plug Set | 91.201.1 | SHPC |
| *Panel Mount Tab | 93.001.5 | PMA/KU |

ENCLOSURE DRAWING (To convert to inches divide by 25.4.)



PCB DRAWING (To convert to inches divide by 25.4.)



32 Terminal

Tall Vertical
PCB Spring Clamp



TECHNICAL INFORMATION

Electrical: 10A, 300V, 26-14 AWG
Housing Material: Glass-filled Polycarbonate
Temperature Range: Up to 125°C (257°F)
Flammability Rating: UL94 V-O
Color: Light Gray

Terminal Type: Spring Cage Clamp
Terminal Screw Size: -
Recommended Torque: -
Max. PCB's: (4) Vertical
Mounting: 35mm DIN Rail or optional panel mounting*

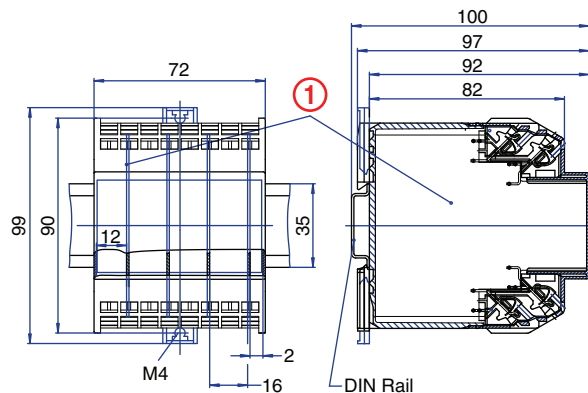
ORDERING INFORMATION

| Part Number | Type | Description | PCB Connection |
|-------------|----------|------------------|--------------------------------|
| 91.583 | KU4039BT | Right Angle Pins | Machine Solder/ Wire Jumper |

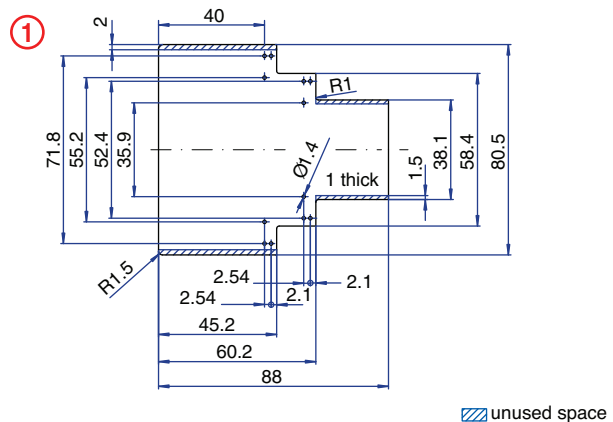
ACCESSORIES

| Accessories | Part Number | Type |
|------------------|-------------|-------------|
| 1 Meter DIN Rail | 2511120/1M | TS35x7.5/1M |
| *Panel Mount Tab | 93.001.5 | PMA/KU |

ENCLOSURE DRAWING (To convert to inches divide by 25.4.)



PCB DRAWING (To convert to inches divide by 25.4.)



16 Terminal

Vertical PCB
Screw Clamp



TECHNICAL INFORMATION

| | |
|--|---|
| Electrical: 16A, 300V, 22-14 AWG | Terminal Type: Screw / Pressure Plate |
| Housing Material: Glass-filled Polycarbonate | Terminal Screw Size: M3.5 |
| Temperature Range: Up to 125°C (257°F) | Recommended Torque: 0.8Nm |
| Flammability Rating: UL94 V-O | Max. PCB's: (2) Vertical |
| Color: Light Gray | Mounting: 35mm DIN Rail or optional panel mounting* |

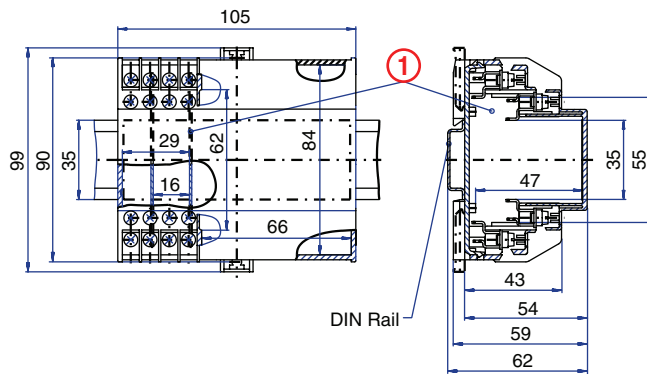
ORDERING INFORMATION

| Part Number | Type | Description | PCB Connection |
|-------------|-----------|------------------|--------------------------------|
| 91.250 | KU4090B16 | Right Angle Pins | Machine Solder/ Wire Jumper |

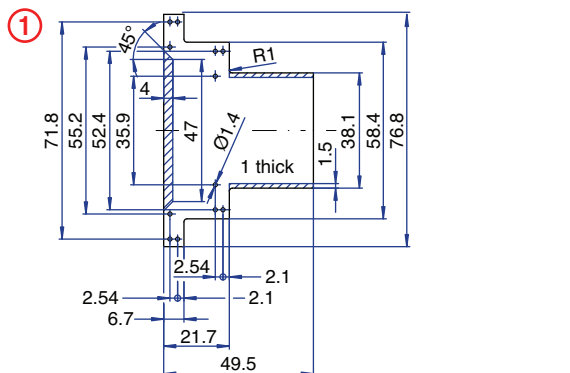
ACCESSORIES

| Accessories | Part Number | Type |
|--|-------------|-------------|
| 1 Meter DIN Rail | 2511120/1M | TS35x7.5/1M |
| Screw-hole and Wire-Entry Cover Plug Set | 91.201.1 | SHPC |
| *Panel Mount Tab | 93.001.5 | PMA/KU |

ENCLOSURE DRAWING (To convert to inches divide by 25.4.)



PCB DRAWING (To convert to inches divide by 25.4.)



unused space

16 Terminal

Horizontal PCB
Screw Clamp



TECHNICAL INFORMATION

| | |
|--|---|
| Electrical: 16A, 300V, 22-14 AWG | Terminal Type: Screw / Pressure Plate |
| Housing Material: Glass-filled Polycarbonate | Terminal Screw Size: M3.5 |
| Temperature Range: Up to 125°C (257°F) | Recommended Torque: 0.8Nm |
| Flammability Rating: UL94 V-O | Max. PCB's: (1) Horizontal, (2) Vertical |
| Color: Light Gray | Mounting: 35mm DIN Rail or optional panel mounting* |

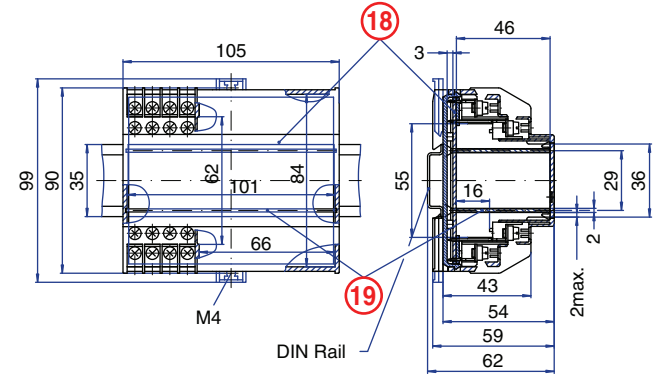
ORDERING INFORMATION

| Part Number | Type | Description | PCB Connection |
|-------------|-----------|---------------|----------------|
| 91.230 | KU4090C16 | Straight Pins | Machine Solder |

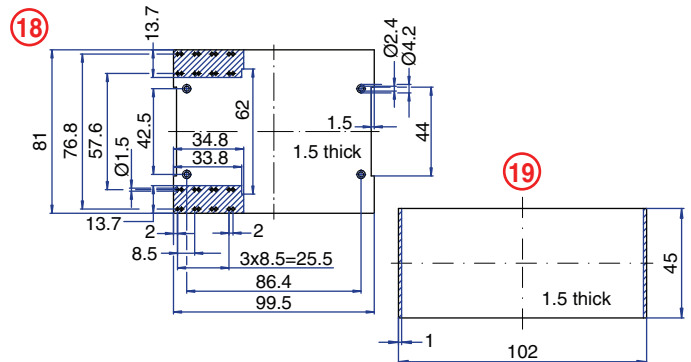
ACCESSORIES

| Accessories | Part Number | Type |
|--|-------------|-------------|
| 1 Meter DIN Rail | 2511120/1M | TS35x7.5/1M |
| Screw-hole and Wire-Entry Cover Plug Set | 91.201.1 | SHPC |
| *Panel Mount Tab | 93.001.5 | PMA/KU |

ENCLOSURE DRAWING (To convert to inches divide by 25.4.)



PCB DRAWING (To convert to inches divide by 25.4.)



unused space

KU4000 Series

16 Terminal

Vertical PCB
Screw Clamp
with vent slots



TECHNICAL INFORMATION

Electrical: 16A, 300V, 22-14 AWG
Housing Material: Glass-filled Polycarbonate
Temperature Range: Up to 125°C (257°F)
Flammability Rating: UL94 V-O
Color: Light Gray

Terminal Type: Screw / Pressure Plate
Terminal Screw Size: M3.5
Recommended Torque: 0.8Nm
Max. PCB's: (3) Vertical
Mounting: 35mm DIN Rail or optional panel mounting*

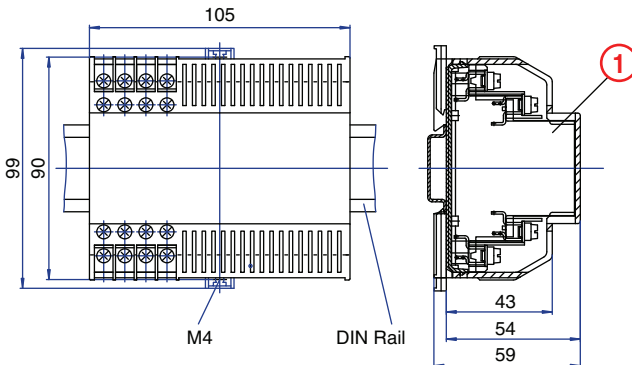
ORDERING INFORMATION

| Part Number | Type | Description | PCB Connection |
|-------------|------------|------------------|--------------------------------|
| 91.255 | KU4090B16V | Right Angle Pins | Machine Solder/ Wire Jumper |

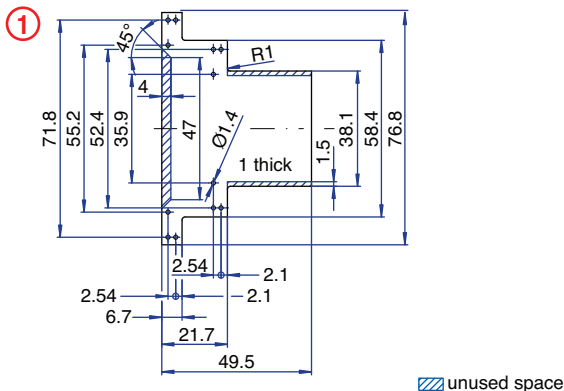
ACCESSORIES

| Accessories | Part Number | Type |
|--|-------------|-------------|
| 1 Meter DIN Rail | 2511120/1M | TS35x7.5/1M |
| Screw-hole and Wire-Entry Cover Plug Set | 91.201.1 | SHPC |
| *Panel Mount Tab | 93.001.5 | PMA/KU |

ENCLOSURE DRAWING (To convert to inches divide by 25.4.)



PCB DRAWING (To convert to inches divide by 25.4.)



16 Terminal

Horizontal PCB
Screw Clamp
with vent slots



TECHNICAL INFORMATION

Electrical: 16A, 300V, 22-14 AWG
Housing Material: Glass-filled Polycarbonate
Temperature Range: Up to 125°C (257°F)
Flammability Rating: UL94 V-O
Color: Light Gray

Terminal Type: Screw / Pressure Plate
Terminal Screw Size: M3.5
Recommended Torque: 0.8Nm
Max. PCB's: (1) Horizontal, (2) Vertical
Mounting: 35mm DIN Rail or optional panel mounting*

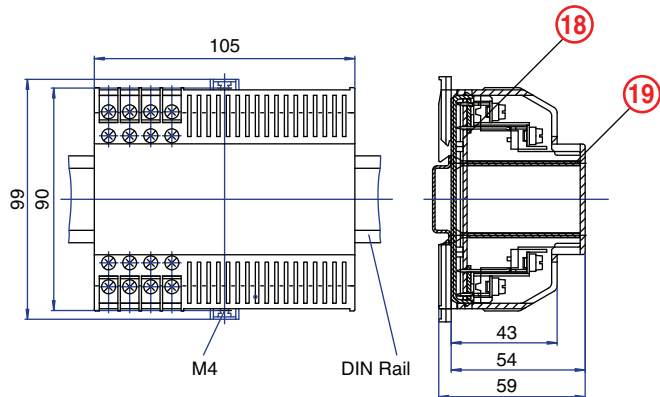
ORDERING INFORMATION

| Part Number | Type | Description | PCB Connection |
|-------------|------------|---------------|----------------|
| 91.235 | KU4090C16V | Straight Pins | Machine Solder |

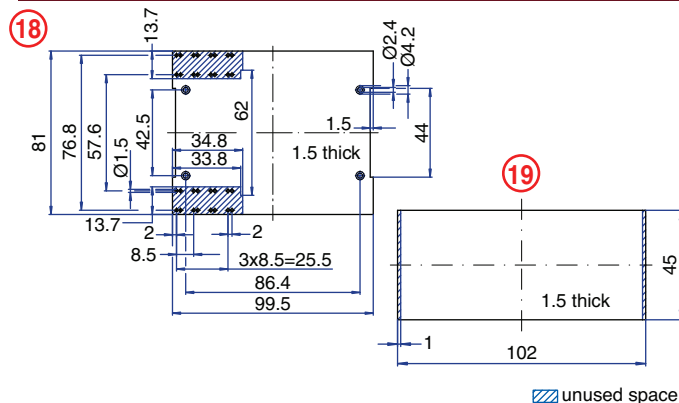
ACCESSORIES

| Accessories | Part Number | Type |
|--|-------------|-------------|
| 1 Meter DIN Rail | 2511120/1M | TS35x7.5/1M |
| Screw-hole and Wire-Entry Cover Plug Set | 91.201.1 | SHPC |
| *Panel Mount Tab | 93.001.5 | PMA/KU |

ENCLOSURE DRAWING (To convert to inches divide by 25.4.)



PCB DRAWING (To convert to inches divide by 25.4.)



24 Terminal
Vertical PCB
Screw Clamp



TECHNICAL INFORMATION

Electrical: 16A, 300V, 22-14 AWG
Housing Material: Glass-filled Polycarbonate
Temperature Range: Up to 125°C (257°F)
Flammability Rating: UL94 V-O
Color: Light Gray

Terminal Type: Screw / Pressure Plate
Terminal Screw Size: M3.5
Recommended Torque: 0.8Nm
Max. PCB's: (6) Vertical
Mounting: 35mm DIN Rail or optional panel mounting*

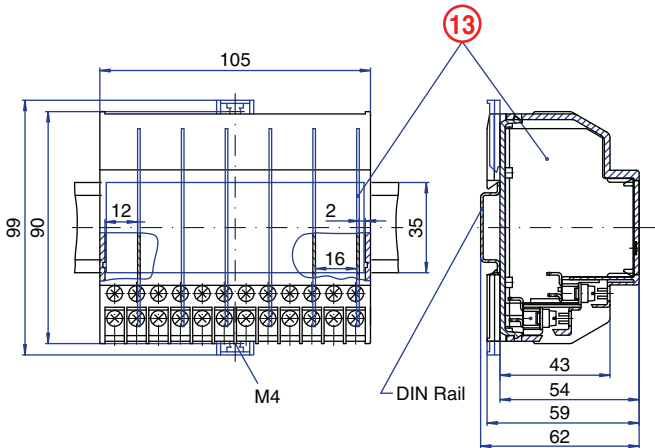
ORDERING INFORMATION

| Part Number | Type | Description | PCB Connection |
|-------------|-----------|------------------|--------------------------------|
| 91.290 | KU4090B24 | Right Angle Pins | Machine Solder/ Wire Jumper |

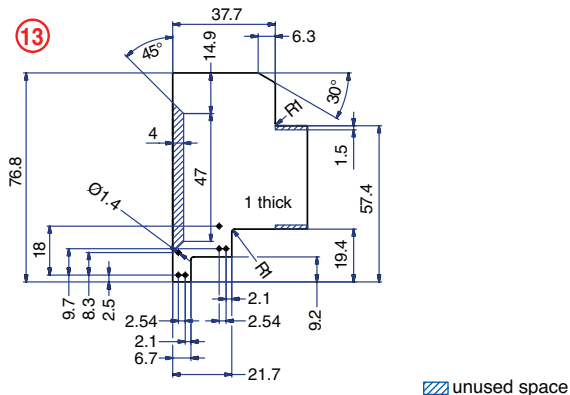
ACCESSORIES

| Accessories | Part Number | Type |
|--|-------------|-------------|
| 1 Meter DIN Rail | 2511120/1M | TS35x7.5/1M |
| Screw-hole and Wire-Entry Cover Plug Set | 91.201.1 | SHPC |
| *Panel Mount Tab | 93.001.5 | PMA/KU |

ENCLOSURE DRAWING (To convert to inches divide by 25.4.)



PCB DRAWING (To convert to inches divide by 25.4.)



24 Terminal
Horizontal PCB
Screw Clamp



TECHNICAL INFORMATION

Electrical: 16A, 300V, 22-14 AWG
Housing Material: Glass-filled Polycarbonate
Temperature Range: Up to 125°C (257°F)
Flammability Rating: UL94 V-O
Color: Light Gray

Terminal Type: Screw / Pressure Plate
Terminal Screw Size: M3.5
Recommended Torque: 0.8Nm
Max. PCB's: (1) Horizontal (2) Vertical
Mounting: 35mm DIN Rail or optional panel mounting*

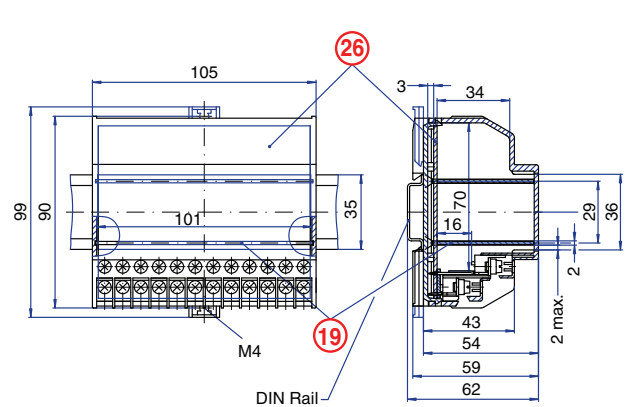
ORDERING INFORMATION

| Part Number | Type | Description | PCB Connection |
|-------------|-----------|---------------|----------------|
| 91.270 | KU4090C24 | Straight Pins | Machine Solder |

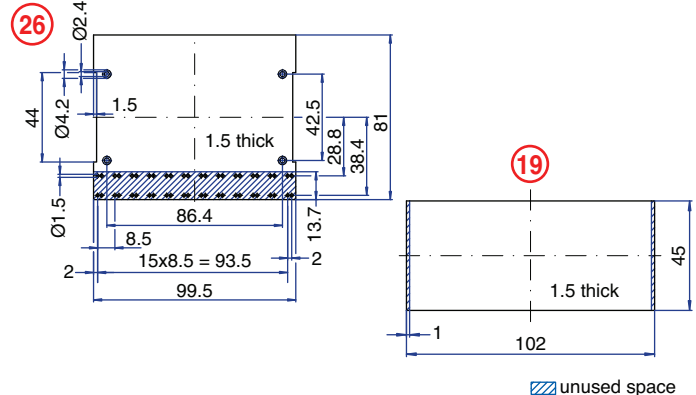
ACCESSORIES

| Accessories | Part Number | Type |
|--|-------------|-------------|
| 1 Meter DIN Rail | 2511120/1M | TS35x7.5/1M |
| Screw-hole and Wire-Entry Cover Plug Set | 91.201.1 | SHPC |
| *Panel Mount Tab | 93.001.5 | PMA/KU |

ENCLOSURE DRAWING (To convert to inches divide by 25.4.)



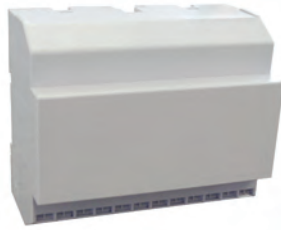
PCB DRAWING (To convert to inches divide by 25.4.)



KU4000 Series

24 Terminal

Vertical PCB
Spring Clamp



TECHNICAL INFORMATION

| | |
|--|---|
| Electrical: 10A, 300V, 26-14 AWG | Terminal Type: Spring Cage Clamp |
| Housing Material: Glass-filled Polycarbonate | Terminal Screw Size: - |
| Temperature Range: Up to 125°C (257°F) | Recommended Torque: - |
| Flammability Rating: UL94 V-O | Max. PCB's: (6) Vertical |
| Color: Light Gray | Mounting: 35mm DIN Rail or optional panel mounting* |

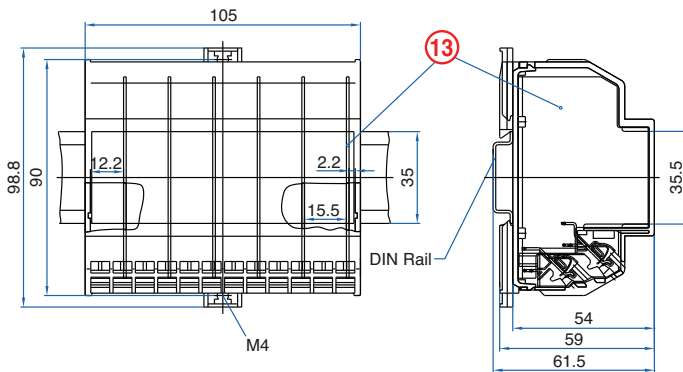
ORDERING INFORMATION

| Part Number | Type | Description | PCB Connection |
|-------------|---------|------------------|--------------------------------|
| 91.590 | KU4040B | Right Angle Pins | Machine Solder/ Wire Jumper |

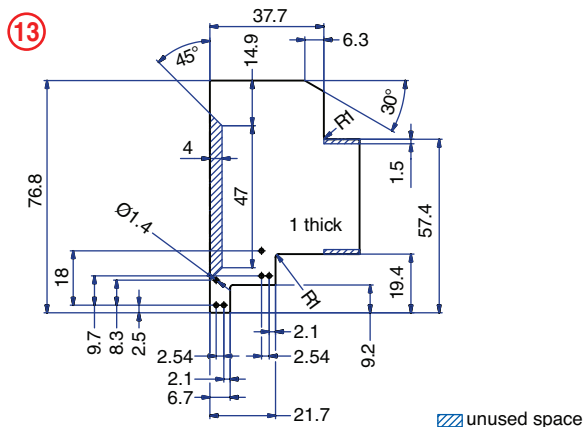
ACCESSORIES

| Accessories | Part Number | Type |
|------------------|-------------|-------------|
| 1 Meter DIN Rail | 2511120/1M | TS35x7.5/1M |
| *Panel Mount Tab | 93.001.5 | PMA/KU |

ENCLOSURE DRAWING (To convert to inches divide by 25.4.)



PCB DRAWING (To convert to inches divide by 25.4.)



24

Terminal
Horizontal PCB
Spring Clamp



TECHNICAL INFORMATION

| | |
|--|---|
| Electrical: 10A, 300V, 26-14 AWG | Terminal Type: Spring Cage Clamp |
| Housing Material: Glass-filled Polycarbonate | Terminal Screw Size: - |
| Temperature Range: Up to 125°C (257°F) | Recommended Torque: - |
| Flammability Rating: UL94 V-O | Max. PCB's: (1) Horizontal |
| Color: Light Gray | Mounting: 35mm DIN Rail or optional panel mounting* |

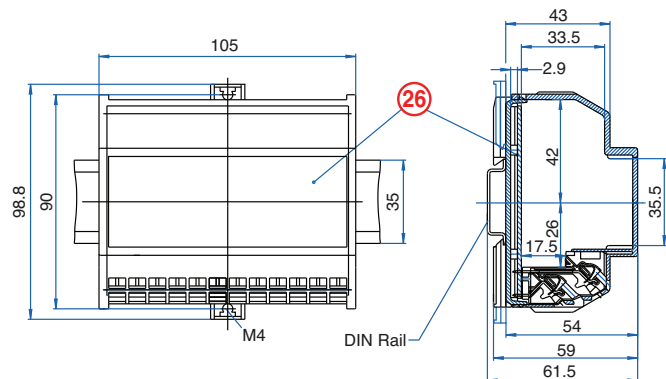
ORDERING INFORMATION

| Part Number | Type | Description | PCB Connection |
|-------------|---------|---------------|----------------|
| 91.570 | KU4040C | Straight Pins | Machine Solder |

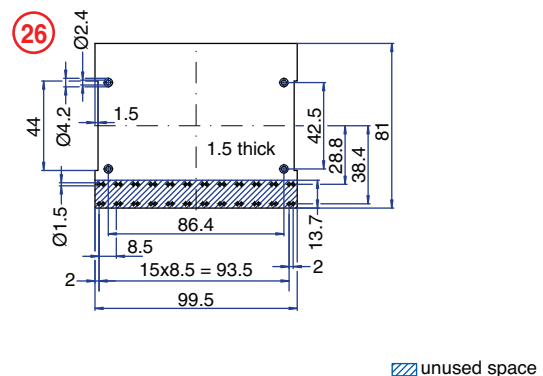
ACCESSORIES

| Accessories | Part Number | Type |
|------------------|-------------|-------------|
| 1 Meter DIN Rail | 2511120/1M | TS35x7.5/1M |
| *Panel Mount Tab | 93.001.5 | PMA/KU |

ENCLOSURE DRAWING (To convert to inches divide by 25.4.)



PCB DRAWING (To convert to inches divide by 25.4.)



24 Terminal
with 16 Standard and
8 High Current Terminals
Vertical PCB
Screw Clamp



TECHNICAL INFORMATION

Electrical:
Standard Terminal: 16A, 300V, 22-14 AWG
High Current Terminal: 50A, 300V, 18-8 AWG

Housing Material:
Glass-filled Polycarbonate

Temperature Range:
Up to 125°C (257°F)

Flammability Rating:
UL94 V-O

Color: Light Gray

Terminal Type:
Standard: Screw/Pressure Plate
High Current: Box Clamp

Terminal Screw Size:
M3.5 / M4

Recommended Torque:
0.8Nm / 1.2Nm

Max. PCB's:
(3) Vertical

Mounting:
35mm DIN Rail or optional panel mounting*

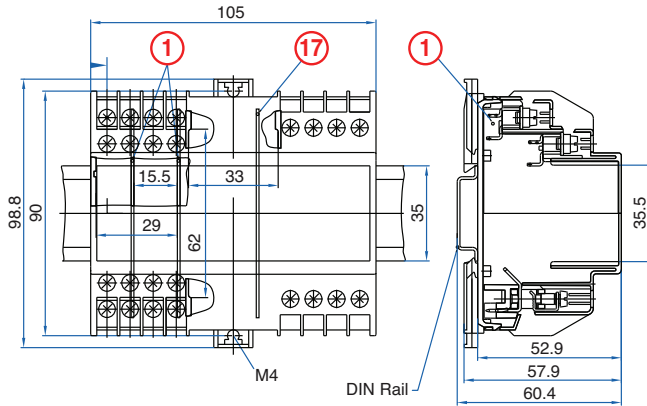
ORDERING INFORMATION

| Part Number | Type | Description | PCB Connection |
|-------------|-----------|------------------|--------------------------------|
| 91.750 | KU4090BHC | Right Angle Pins | Machine Solder/ Wire Jumper |

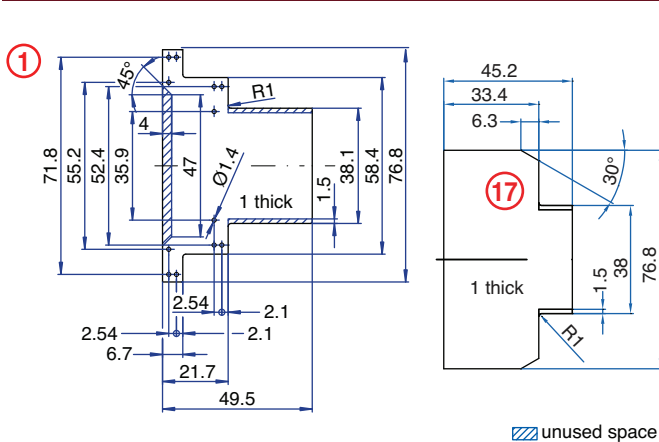
ACCESSORIES

| Accessories | Part Number | Type |
|--|-------------|-------------|
| 1 Meter DIN Rail | 2511120/1M | TS35x7.5/1M |
| Screw-hole and Wire-Entry Cover Plug Set | 91.201.1 | SHPC |
| *Panel Mount Tab | 93.001.5 | PMA/KU |

ENCLOSURE DRAWING (To convert to inches divide by 25.4.)



PCB DRAWING (To convert to inches divide by 25.4.)



24 Terminal
with 16 Standard and
8 High Current Terminals
Vertical PCB
Screw Clamp



TECHNICAL INFORMATION

Electrical:
Standard Terminal: 16A, 300V, 22-14 AWG
High Current Terminal: 50A, 300V, 18-8 AWG

Housing Material:
Glass-filled Polycarbonate

Temperature Range:
Up to 125°C (257°F)

Flammability Rating:
UL94 V-O

Color: Light Gray

Terminal Type:
Standard: Screw/Pressure Plate
High Current: Box Clamp

Terminal Screw Size:
M3.5 / M4

Recommended Torque:
0.8Nm / 1.2Nm

Max. PCB's:
(1) Horizontal, (2) Vertical

Mounting:
35mm DIN Rail or optional panel mounting*

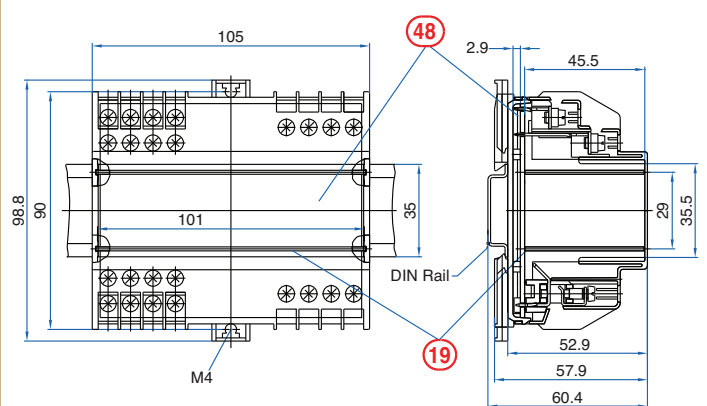
ORDERING INFORMATION

| Part Number | Type | Description | PCB Connection |
|-------------|-----------|---------------|--------------------------------|
| 91.760 | KU4090CHC | Straight Pins | Machine Solder/ Wire Jumper |

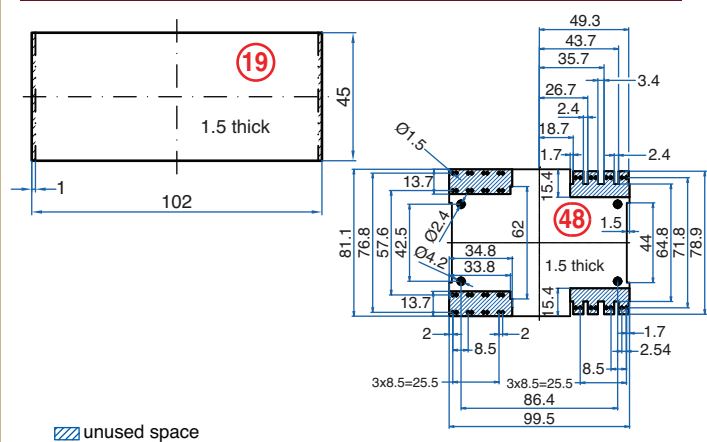
ACCESSORIES

| Accessories | Part Number | Type |
|--|-------------|-------------|
| 1 Meter DIN Rail | 2511120/1M | TS35x7.5/1M |
| Screw-hole and Wire-Entry Cover Plug Set | 91.201.1 | SHPC |
| *Panel Mount Tab | 93.001.5 | PMA/KU |

ENCLOSURE DRAWING (To convert to inches divide by 25.4.)



PCB DRAWING (To convert to inches divide by 25.4.)



KU4000 Series

48 Terminal

Vertical PCB
Screw Clamp



TECHNICAL INFORMATION

Electrical:

16A, 300V, 22-14 AWG

Housing Material:

Glass-filled Polycarbonate

Temperature Range:

Up to 125°C (257°F)

Flammability Rating:

UL94 V-O

Color:

Light Gray

Terminal Type:

Screw / Pressure Plate

Terminal Screw Size:

M3.5

Recommended Torque:

0.8Nm

Max. PCB's:

(6) Vertical

Mounting:

35mm DIN Rail or optional panel mounting*

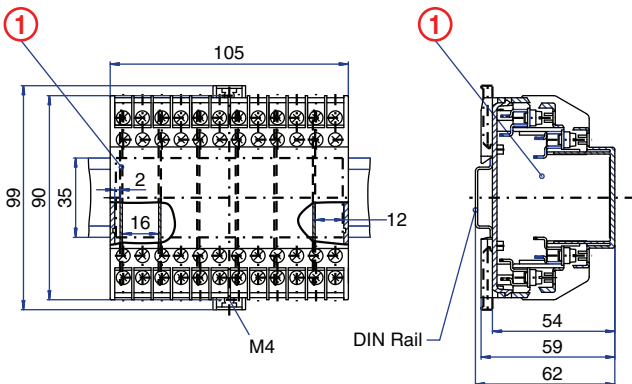
ORDERING INFORMATION

| Part Number | Type | Description | PCB Connection |
|-------------|-----------|------------------|--------------------------------|
| 91.330 | KU4090B48 | Right Angle Pins | Machine Solder/ Wire Jumper |

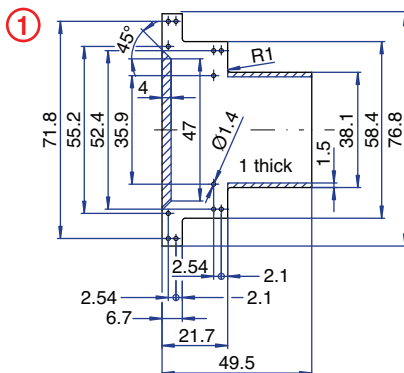
ACCESSORIES

| Accessories | Part Number | Type |
|--|-------------|-------------|
| 1 Meter DIN Rail | 2511120/1M | TS35x7.5/1M |
| Screw-hole and Wire-Entry Cover Plug Set | 91.201.1 | SHPC |
| *Panel Mount Tab | 93.001.5 | PMA/KU |

ENCLOSURE DRAWING (To convert to inches divide by 25.4.)



PCB DRAWING (To convert to inches divide by 25.4.)



unused space

48 Terminal

Horizontal PCB
Screw Clamp



TECHNICAL INFORMATION

Electrical:

16A, 300V, 22-14 AWG

Housing Material:

Glass-filled Polycarbonate

Temperature Range:

Up to 125°C (257°F)

Flammability Rating:

UL94 V-O

Color:

Light Gray

Terminal Type:

Screw / Pressure Plate

Terminal Screw Size:

M3.5

Recommended Torque:

0.8Nm

Max. PCB's:

(1) Horizontal, (2) Vertical

Mounting:

35mm DIN Rail or optional panel mounting*

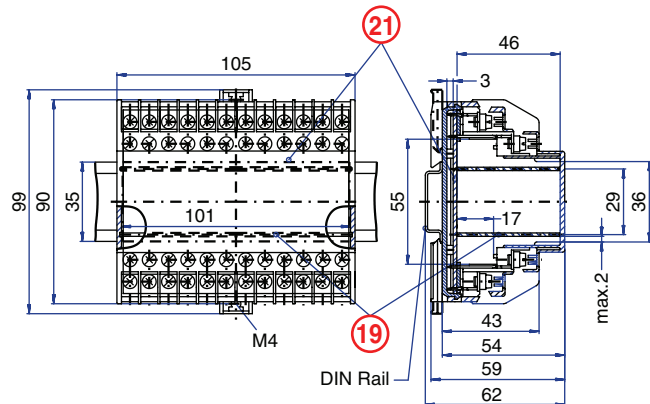
ORDERING INFORMATION

| Part Number | Type | Description | PCB Connection |
|-------------|-----------|---------------|----------------|
| 91.310 | KU4090C48 | Straight Pins | Machine Solder |

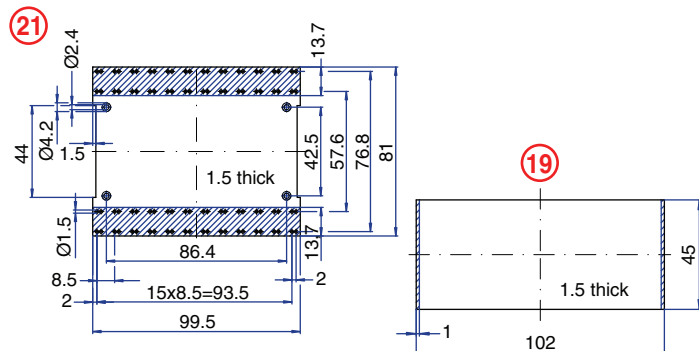
ACCESSORIES

| Accessories | Part Number | Type |
|--|-------------|-------------|
| 1 Meter DIN Rail | 2511120/1M | TS35x7.5/1M |
| Screw-hole and Wire-Entry Cover Plug Set | 91.201.1 | SHPC |
| *Panel Mount Tab | 93.001.5 | PMA/KU |

ENCLOSURE DRAWING (To convert to inches divide by 25.4.)



PCB DRAWING (To convert to inches divide by 25.4.)



unused space

32 Terminal

Vertical PCB
Screw Clamp
terminals on one side only



TECHNICAL INFORMATION

| | |
|--|---|
| Electrical: 16A, 300V, 22-14 AWG | Terminal Type: Screw / Pressure Plate |
| Housing Material: Glass-filled Polycarbonate | Terminal Screw Size: M3.5 |
| Temperature Range: Up to 125°C (257°F) | Recommended Torque: 0.8Nm |
| Flammability Rating: UL94 V-O | Max. PCB's: (8) Vertical |
| Color: Light Gray | Mounting: 35mm DIN Rail or optional panel mounting* |

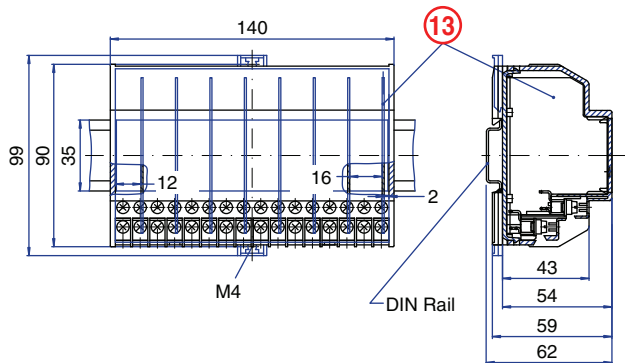
ORDERING INFORMATION

| Part Number | Type | Description | PCB Connection |
|-------------|---------|------------------|--------------------------------|
| 91.320 | KU4011B | Right Angle Pins | Machine Solder/ Wire Jumper |

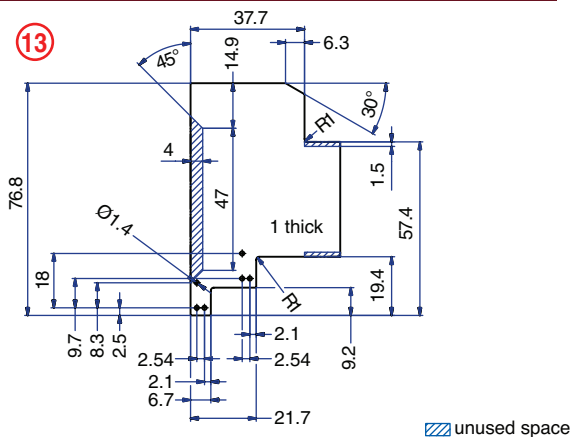
ACCESSORIES

| Accessories | Part Number | Type |
|--|-------------|-------------|
| 1 Meter DIN Rail | 2511120/1M | TS35x7.5/1M |
| Screw-hole and Wire-Entry Cover Plug Set | 91.201.1 | SHPC |
| *Panel Mount Tab | 93.001.5 | PMA/KU |

ENCLOSURE DRAWING (To convert to inches divide by 25.4.)



PCB DRAWING (To convert to inches divide by 25.4.)



32 Terminal

Horizontal PCB
Screw Clamp
terminals on one side only



TECHNICAL INFORMATION

| | |
|--|---|
| Electrical: 16A, 300V, 22-14 AWG | Terminal Type: Screw / Pressure Plate |
| Housing Material: Glass-filled Polycarbonate | Terminal Screw Size: M3.5 |
| Temperature Range: Up to 125°C (257°F) | Recommended Torque: 0.8Nm |
| Flammability Rating: UL94 V-O | Max. PCB's: (1) Horizontal, (2) Vertical |
| Color: Light Gray | Mounting: 35mm DIN Rail or optional panel mounting* |

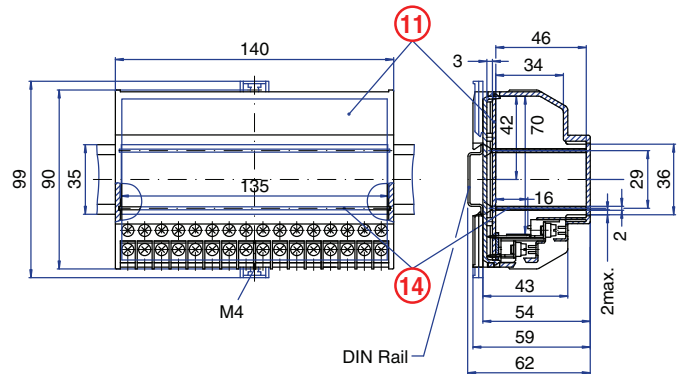
ORDERING INFORMATION

| Part Number | Type | Description | PCB Connection |
|-------------|---------|---------------|----------------|
| 91.300 | KU4011C | Straight Pins | Machine Solder |

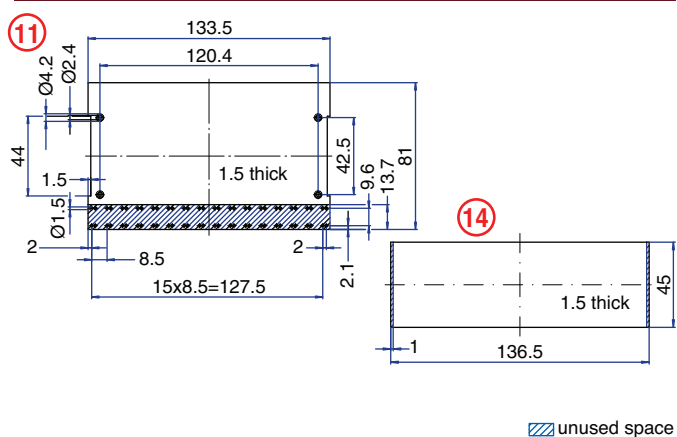
ACCESSORIES

| Accessories | Part Number | Type |
|--|-------------|-------------|
| 1 Meter DIN Rail | 2511120/1M | TS35x7.5/1M |
| Screw-hole and Wire-Entry Cover Plug Set | 91.201.1 | SHPC |
| *Panel Mount Tab | 93.001.5 | PMA/KU |

ENCLOSURE DRAWING (To convert to inches divide by 25.4.)



PCB DRAWING (To convert to inches divide by 25.4.)



KU4000 Series

32 Terminal

**Vertical PCB
Screw Clamp
terminals in corners only**



TECHNICAL INFORMATION

Electrical: 16A, 300V, 22-14 AWG
Housing Material: Glass-filled Polycarbonate
Temperature Range: Up to 125°C (257°F)
Flammability Rating: UL94 V-O
Color: Light Gray

Terminal Type: Screw / Pressure Plate
Terminal Screw Size: M3.5
Recommended Torque: 0.8Nm
Max. PCB's: (4) Vertical
Mounting: 35mm DIN Rail or optional panel mounting*

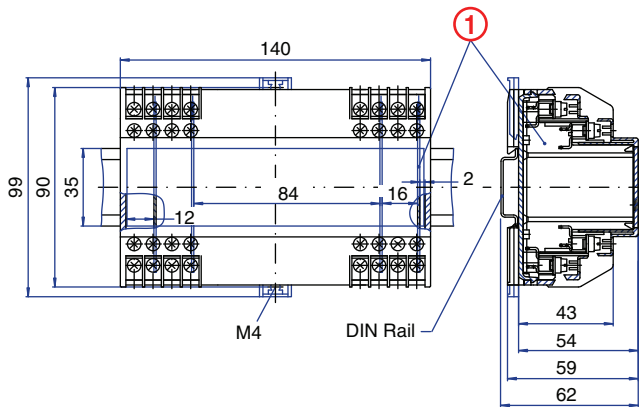
ORDERING INFORMATION

| Part Number | Type | Description | PCB Connection |
|-------------|---------|------------------|--------------------------------|
| 91.360 | KU4012B | Right Angle Pins | Machine Solder/ Wire Jumper |

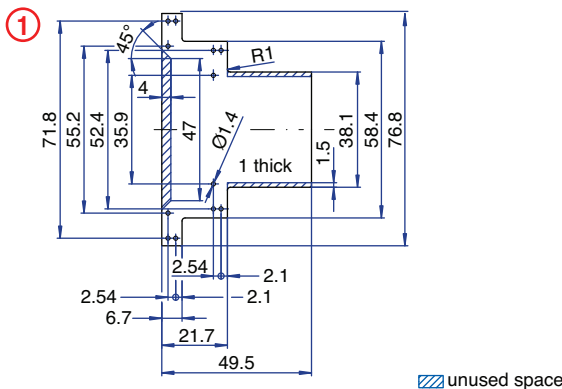
ACCESSORIES

| Accessories | Part Number | Type |
|--|-------------|-------------|
| 1 Meter DIN Rail | 2511120/1M | TS35x7.5/1M |
| Screw-hole and Wire-Entry Cover Plug Set | 91.201.1 | SHPC |
| *Panel Mount Tab | 93.001.5 | PMA/KU |

ENCLOSURE DRAWING (To convert to inches divide by 25.4.)



PCB DRAWING (To convert to inches divide by 25.4.)



32 Terminal

**Horizontal PCB
Screw Clamp
terminals in corners only**



TECHNICAL INFORMATION

Electrical: 16A, 300V, 22-14 AWG
Housing Material: Glass-filled Polycarbonate
Temperature Range: Up to 125°C (257°F)
Flammability Rating: UL94 V-O
Color: Light Gray

Terminal Type: Screw / Pressure Plate
Terminal Screw Size: M3.5
Recommended Torque: 0.8Nm
Max. PCB's: (1) Horizontal, (2) Vertical
Mounting: 35mm DIN Rail or optional panel mounting*

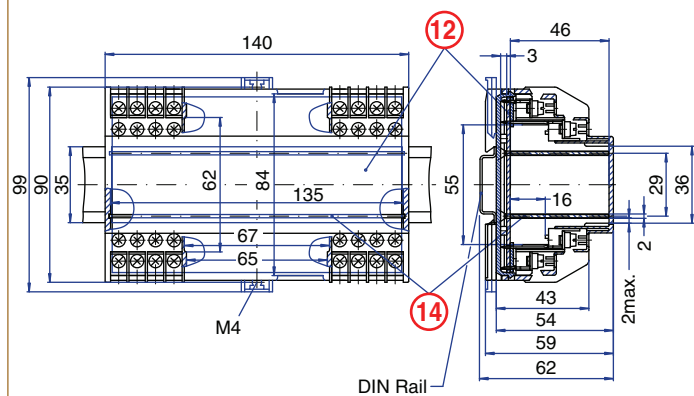
ORDERING INFORMATION

| Part Number | Type | Description | PCB Connection |
|-------------|---------|---------------|----------------|
| 91.340 | KU4012C | Straight Pins | Machine Solder |

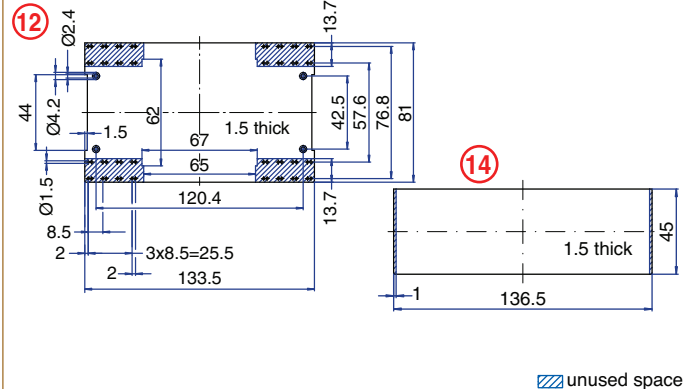
ACCESSORIES

| Accessories | Part Number | Type |
|--|-------------|-------------|
| 1 Meter DIN Rail | 2511120/1M | TS35x7.5/1M |
| Screw-hole and Wire-Entry Cover Plug Set | 91.201.1 | SHPC |
| *Panel Mount Tab | 93.001.5 | PMA/KU |

ENCLOSURE DRAWING (To convert to inches divide by 25.4.)



PCB DRAWING (To convert to inches divide by 25.4.)



32 Terminal
Vertical PCB
Screw Clamp
with vent slots



TECHNICAL INFORMATION

| | |
|--|---|
| Electrical: 16A, 300V, 22-14 AWG | Terminal Type: Screw / Pressure Plate |
| Housing Material: Glass-filled Polycarbonate | Terminal Screw Size: M3.5 |
| Temperature Range: Up to 125°C (257°F) | Recommended Torque: 0.8Nm |
| Flammability Rating: UL94 V-O | Max. PCB's: (1) Vertical |
| Color: Light Gray | Mounting: 35mm DIN Rail or optional panel mounting* |

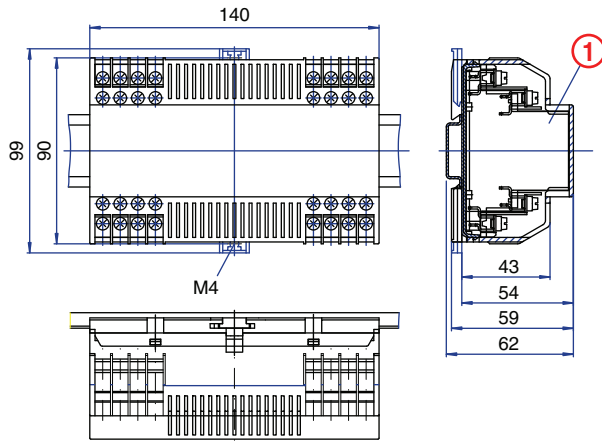
ORDERING INFORMATION

| Part Number | Type | Description | PCB Connection |
|-------------|----------|------------------|--------------------------------|
| 91.365 | KU4012BV | Right Angle Pins | Machine Solder/ Wire Jumper |

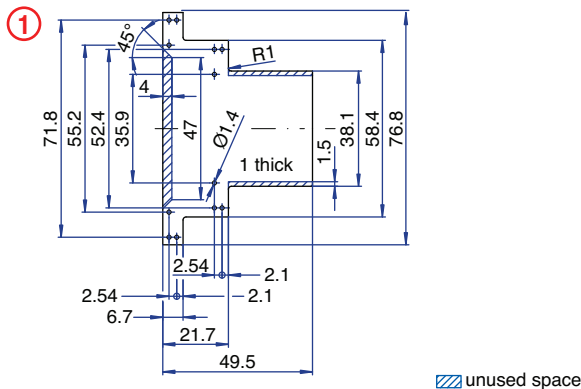
ACCESSORIES

| Accessories | Part Number | Type |
|--|-------------|-------------|
| 1 Meter DIN Rail | 2511120/1M | TS35x7.5/1M |
| Screw-hole and Wire-Entry Cover Plug Set | 91.201.1 | SHPC |
| *Panel Mount Tab | 93.001.5 | PMA/KU |

ENCLOSURE DRAWING (To convert to inches divide by 25.4.)



PCB DRAWING (To convert to inches divide by 25.4.)



32 Terminal
Horizontal PCB
Screw Clamp
with vent slots



TECHNICAL INFORMATION

| | |
|--|---|
| Electrical: 16A, 300V, 22-14 AWG | Terminal Type: Screw / Pressure Plate |
| Housing Material: Glass-filled Polycarbonate | Terminal Screw Size: M3.5 |
| Temperature Range: Up to 125°C (257°F) | Recommended Torque: 0.8Nm |
| Flammability Rating: UL94 V-O | Max. PCB's: (1) Horizontal |
| Color: Light Gray | Mounting: 35mm DIN Rail or optional panel mounting* |

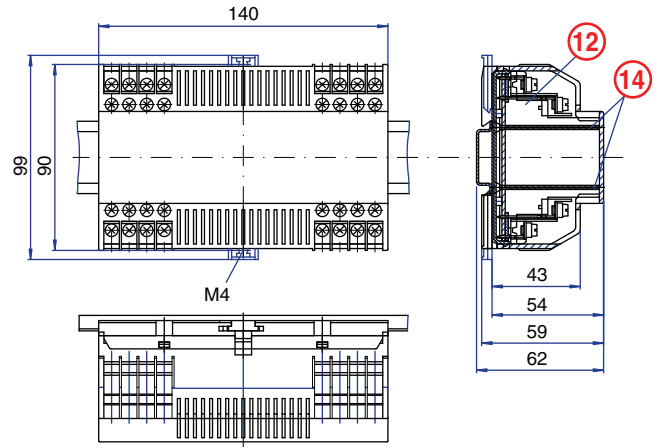
ORDERING INFORMATION

| Part Number | Type | Description | PCB Connection |
|-------------|----------|---------------|----------------|
| 91.345 | KU4012CV | Straight Pins | Machine Solder |

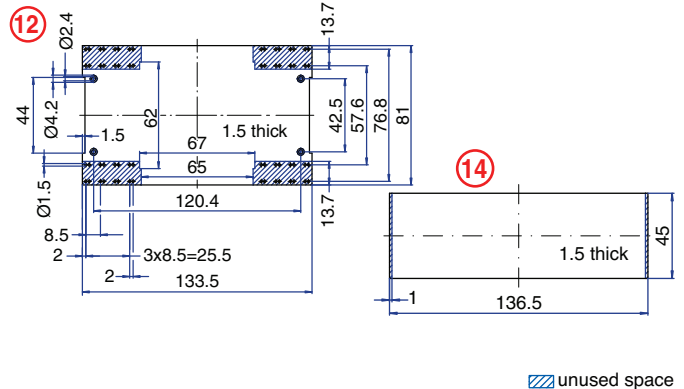
ACCESSORIES

| Accessories | Part Number | Type |
|--|-------------|-------------|
| 1 Meter DIN Rail | 2511120/1M | TS35x7.5/1M |
| Screw-hole and Wire-Entry Cover Plug Set | 91.201.1 | SHPC |
| *Panel Mount Tab | 93.001.5 | PMA/KU |

ENCLOSURE DRAWING (To convert to inches divide by 25.4.)



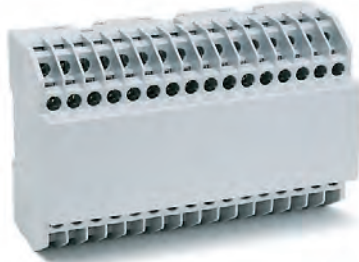
PCB DRAWING (To convert to inches divide by 25.4.)



KU4000 Series

64 Terminal

Vertical PCB
Screw Clamp



TECHNICAL INFORMATION

Electrical: 16A, 300V, 22-14 AWG
Housing Material: Glass-filled Polycarbonate
Temperature Range: Up to 125°C (257°F)
Flammability Rating: UL94 V-O
Color: Light Gray

Terminal Type: Screw / Pressure Plate
Terminal Screw Size: M3.5
Recommended Torque: 0.8Nm
Max. PCB's: (8) Vertical
Mounting: 35mm DIN Rail or optional panel mounting*

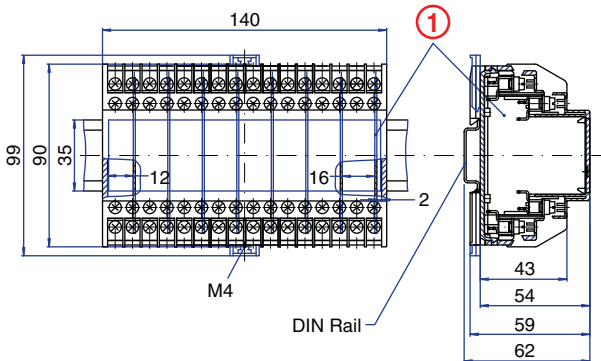
ORDERING INFORMATION

| Part Number | Type | Description | PCB Connection |
|-------------|---------|------------------|--------------------------------|
| 91.400 | KU4013B | Right Angle Pins | Machine Solder/ Wire Jumper |

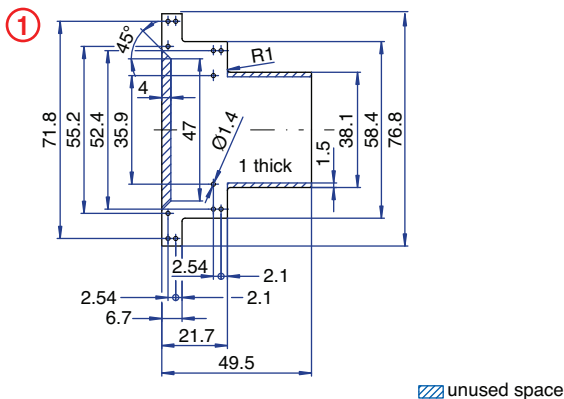
ACCESSORIES

| Accessories | Part Number | Type |
|--|-------------|-------------|
| 1 Meter DIN Rail | 2511120/1M | TS35x7.5/1M |
| Screw-hole and Wire-Entry Cover Plug Set | 91.201.1 | SHPC |
| *Panel Mount Tab | 93.001.5 | PMA/KU |

ENCLOSURE DRAWING (To convert to inches divide by 25.4.)

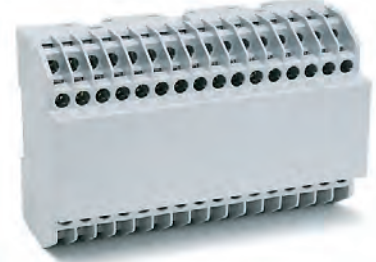


PCB DRAWING (To convert to inches divide by 25.4.)



64 Terminal

Horizontal PCB
Screw Clamp



TECHNICAL INFORMATION

Electrical: 16A, 300V, 22-14 AWG
Housing Material: Glass-filled Polycarbonate
Temperature Range: Up to 125°C (257°F)
Flammability Rating: UL94 V-O
Color: Light Gray

Terminal Type: Screw / Pressure Plate
Terminal Screw Size: M3.5
Recommended Torque: 0.8Nm
Max. PCB's: (1) Horizontal, (2) Vertical
Mounting: 35mm DIN Rail or optional panel mounting*

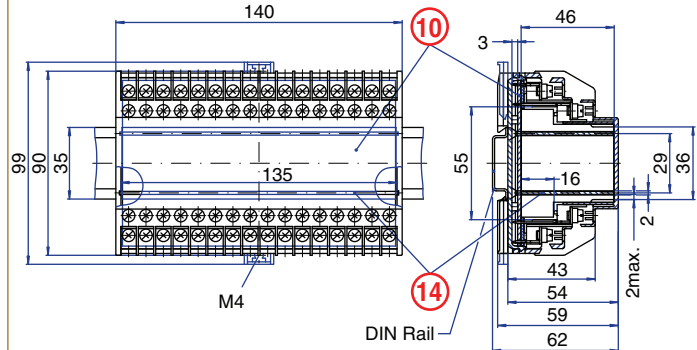
ORDERING INFORMATION

| Part Number | Type | Description | PCB Connection |
|-------------|---------|---------------|----------------|
| 91.380 | KU4013C | Straight Pins | Machine Solder |

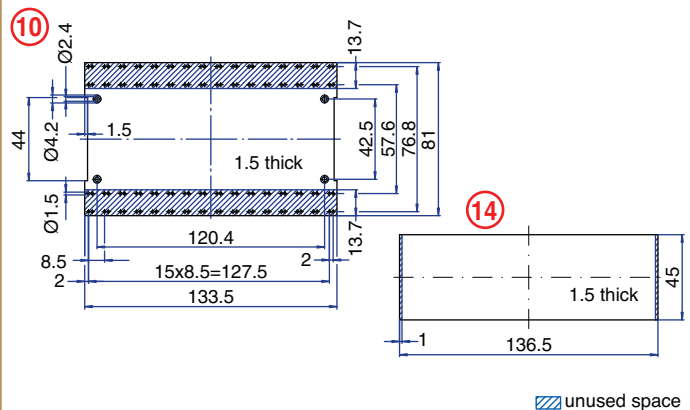
ACCESSORIES

| Accessories | Part Number | Type |
|--|-------------|-------------|
| 1 Meter DIN Rail | 2511120/1M | TS35x7.5/1M |
| Screw-hole and Wire-Entry Cover Plug Set | 91.201.1 | SHPC |
| *Panel Mount Tab | 93.001.5 | PMA/KU |

ENCLOSURE DRAWING (To convert to inches divide by 25.4.)



PCB DRAWING (To convert to inches divide by 25.4.)



64 Terminal

Vertical PCB
Spring Clamp



TECHNICAL INFORMATION

| | |
|--|---|
| Electrical: 10A, 300V, 26-14 AWG | Terminal Type: Spring Cage Clamp |
| Housing Material: Glass-filled Polycarbonate | Terminal Screw Size: - |
| Temperature Range: Up to 125°C (257°F) | Recommended Torque: - |
| Flammability Rating: UL94 V-O | Max. PCB's: (8) Vertical |
| Color: Light Gray | Mounting: 35mm DIN Rail or optional panel mounting* |

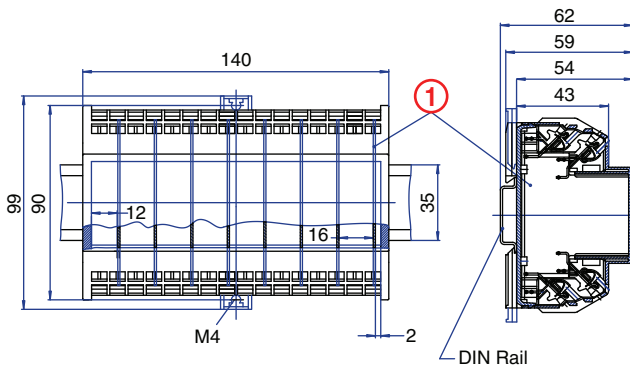
ORDERING INFORMATION

| Part Number | Type | Description | PCB Connection |
|-------------|---------|------------------|--------------------------------|
| 91.600 | KU4041B | Right Angle Pins | Machine Solder/ Wire Jumper |

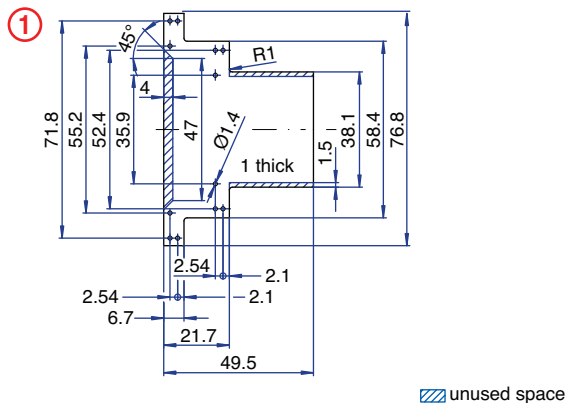
ACCESSORIES

| Accessories | Part Number | Type |
|------------------|-------------|-------------|
| 1 Meter DIN Rail | 2511120/1M | TS35x7.5/1M |
| *Panel Mount Tab | 93.001.5 | PMA/KU |

ENCLOSURE DRAWING (To convert to inches divide by 25.4.)



PCB DRAWING (To convert to inches divide by 25.4.)



64 Terminal

Horizontal PCB
Spring Clamp



TECHNICAL INFORMATION

| | |
|--|---|
| Electrical: 10A, 300V, 26-14 AWG | Terminal Type: Spring Cage Clamp |
| Housing Material: Glass-filled Polycarbonate | Terminal Screw Size: - |
| Temperature Range: Up to 125°C (257°F) | Recommended Torque: - |
| Flammability Rating: UL94 V-O | Max. PCB's: (1) Horizontal |
| Color: Light Gray | Mounting: 35mm DIN Rail or optional panel mounting* |

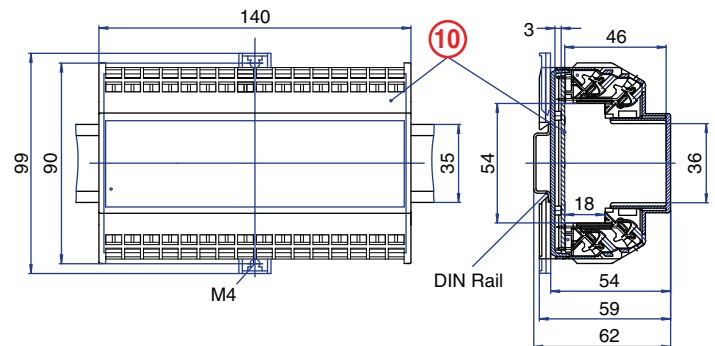
ORDERING INFORMATION

| Part Number | Type | Description | PCB Connection |
|-------------|---------|---------------|----------------|
| 91.610 | KU4041C | Straight Pins | Machine Solder |

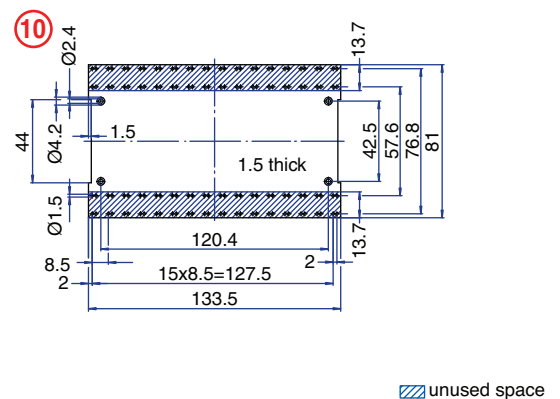
ACCESSORIES

| Accessories | Part Number | Type |
|------------------|-------------|-------------|
| 1 Meter DIN Rail | 2511120/1M | TS35x7.5/1M |
| *Panel Mount Tab | 93.001.5 | PMA/KU |

ENCLOSURE DRAWING (To convert to inches divide by 25.4.)



PCB DRAWING (To convert to inches divide by 25.4.)



KU4100 Series



The versatile **KU4100 series** features a compact design with different terminal configuration options. They are available in six widths with double level terminal locations. Terminal configuration options include blank enclosures with no terminal openings, fixed PCB terminals and pluggable PCB terminals.

MATERIALS

Housing

Housing Shell: Polycarbonate, 10% Glass Filled

Base: Polycarbonate, 10% Glass Filled

Terminals

Housing: Polyamide

Terminal Pins: Tinned Brass

TEMPERATURE RATING:

115°C (239°F) UL94V0

Housing: Light Gray Cover with Black Base

PROTECTION

KU4100 enclosures have an IP30 rating, IP20 for terminal openings, (finger protected) and meet VBG4 and other European accident prevention requirements.

CONSTRUCTION

The KU4100 enclosure series housings are supplied as unassembled kits. Each kit consists of a flat base, a housing cover and terminal sets where applicable. The terminals are set on two levels to maximize space. The terminals are machine solderable. Integral printed circuit guides are molded into the cover for proper board insertion and containment. Multiple boards can be mounted in each enclosure, usually 2 PCBs are used with the terminals and one additional PCB can be used for display or control elements in the enclosure front.

TERMINALS

There are 4 options available; no terminal openings, fixed PCB terminals, pluggable PCB terminals and high current terminals. The terminal blocks are all machine solderable.

The option of no terminal openings allows for custom openings to be made to accommodate alternate connector types.

Fixed PCB terminals are standard screw cage clamp style terminal blocks. Terminal covers are available for the fixed PCB terminal version to cover unused terminals. The terminal cover is a 12 pole strip that is breakable into individual poles. It snaps into the enclosure covering the screw hole and wire entry areas.

Pluggable PCB terminals feature male pin headers and female screw cage clamp plugs that can be plugged/unplugged. **Power source must be disconnected before plugging/unplugging terminals.**

High current terminals feature rising clamps where the wire is clamped between the clamp and the terminal strip.

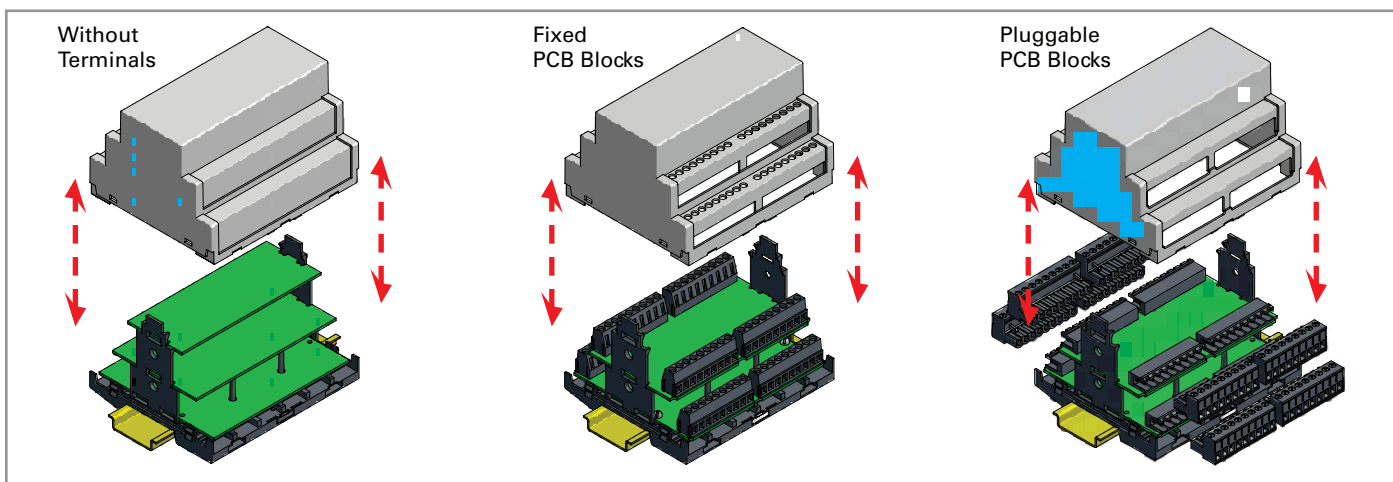
MOUNTING

The KU4100 series can easily be mounted on standard 35mm DIN rail by means of the integral mounting foot and DIN clip.

CUSTOMIZATION

We can supply the KU4100 series enclosures with many custom options including:

- Partial terminal loading
- Enclosure bus connections
- Ventilation Slots
- Machining of custom holes



17.5mm Enclosure
Without Terminals



TECHNICAL INFORMATION

| | |
|--|--|
| Electrical: - | Terminal Type: - |
| Housing Material: Glass-filled Polycarbonate | Terminal Screw Size: - |
| Temperature Range: Up to 115°C (239°F) | Recommended Torque: - |
| Flammability Rating: UL94 V-O | PCB Locations: (1) Vertical, Perpendicular |
| Color: Light Gray Cover, Black Base | Mounting: 35mm DIN Rail |

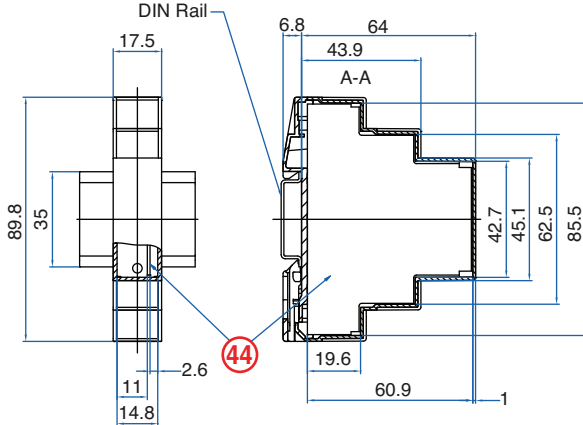
ORDERING INFORMATION

| Part Number | Type | Description | PCB Connection |
|-------------|---------|-------------------|----------------|
| 91.800 | KU4187B | Without Terminals | None |

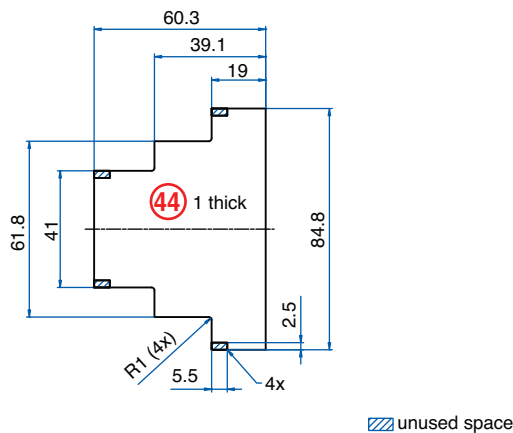
ACCESSORIES

| Accessories | Part Number | Type |
|------------------|-------------|-------------|
| 1 Meter DIN Rail | 2511120/1M | TS35x7.5/1M |

ENCLOSURE DRAWING (To convert to inches divide by 25.4.)



PCB DRAWING (To convert to inches divide by 25.4.)



12 Terminal
Fixed PCB Blocks



TECHNICAL INFORMATION

| | |
|---|--|
| Electrical: 12A, 250V, 24-12 AWG | Terminal Type: Screw / Rising Clamp |
| Housing Material: Glass-filled Polycarbonate | Terminal Screw Size: M2.5 |
| Temperature Range: Up to 115°C (239°F) | Recommended Torque: 0.4Nm |
| Flammability Rating: UL94 V-O | PCB Locations: (1) Vertical, Perpendicular |
| Color: Light Gray Cover, Black Base and Terminals | Mounting: 35mm DIN Rail |

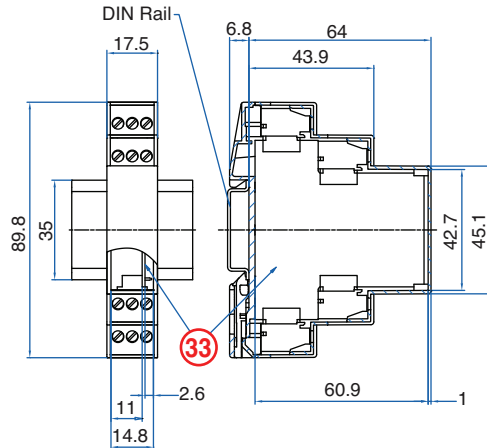
ORDERING INFORMATION

| Part Number | Type | Description | PCB Connection |
|-------------|---------|--------------------|----------------|
| 91.801 | KU4187F | Fixed PCB Terminal | Machine Solder |

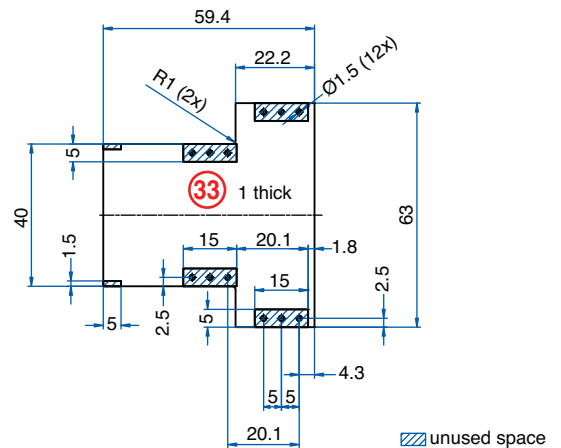
ACCESSORIES

| Accessories | Part Number | Type |
|--------------------------|-------------|-------------|
| 1 Meter DIN Rail | 2511120/1M | TS35x7.5/1M |
| Terminal Cover (12 pole) | 91.801.1 | TCS/12 |

ENCLOSURE DRAWING (To convert to inches divide by 25.4.)



PCB DRAWING (To convert to inches divide by 25.4.)



12 Terminal

Pluggable PCB
Plugs / Headers



TECHNICAL INFORMATION

Electrical:

12A, 250V, 28-14 AWG

Housing Material:

Glass-filled Polycarbonate

Temperature Range:

Up to 115°C (239°F)

Flammability Rating:

UL94 V-O

Color:

Light Gray Cover, Black Base and Terminals

Terminal Type:

Screw / Rising Clamp

Terminal Screw Size:

M2.5

Recommended Torque:

0.4Nm

PCB Locations:

(1) Vertical, Perpendicular

Mounting:

35mm DIN Rail

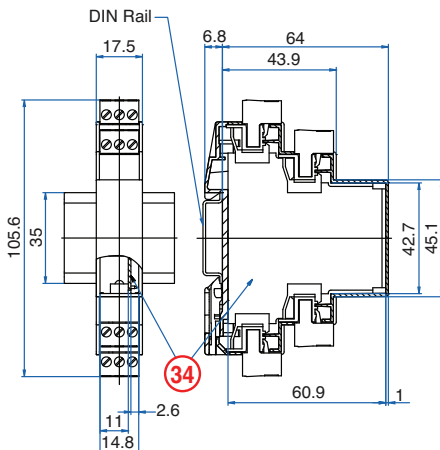
ORDERING INFORMATION

| Part Number | Type | Description | PCB Connection |
|-------------|---------|-------------------------|----------------|
| 91.802 | KU4187P | Pluggable PCB Terminals | Machine Solder |

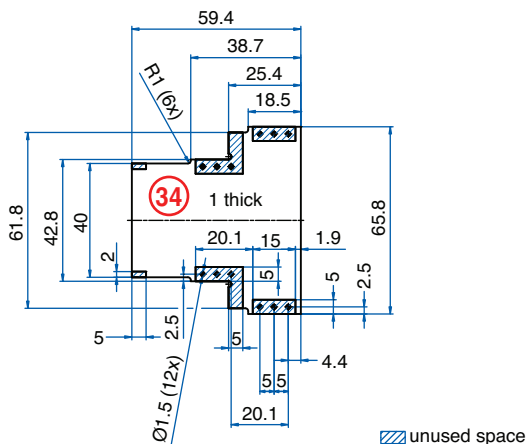
ACCESSORIES

| Accessories | Part Number | Type |
|------------------|-------------|-------------|
| 1 Meter DIN Rail | 2511120/1M | TS35x7.5/1M |

ENCLOSURE DRAWING (To convert to inches divide by 25.4.)



PCB DRAWING (To convert to inches divide by 25.4.)



8 Terminal

High Current PCB
Blocks



TECHNICAL INFORMATION

Electrical:

40A, 250V, 20-8 AWG

Housing Material:

Glass-filled Polycarbonate

Temperature Range:

Up to 115°C (239°F)

Flammability Rating:

UL94 V-O

Color:

Light Gray Cover, Black Base

Terminal Type:

Screw / Rising Clamp

Terminal Screw Size:

M3.5

Recommended Torque:

1.2Nm

PCB Locations:

(1) Vertical, Perpendicular

Mounting:

35mm DIN Rail

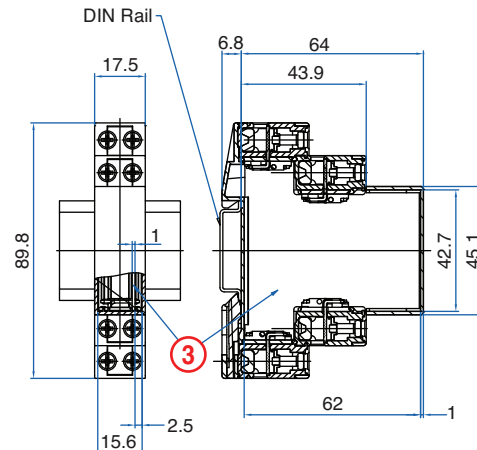
ORDERING INFORMATION

| Part Number | Type | Description | PCB Connection |
|-------------|----------|------------------------|----------------|
| 91.803 | KU4187HC | High Current Terminals | Machine Solder |

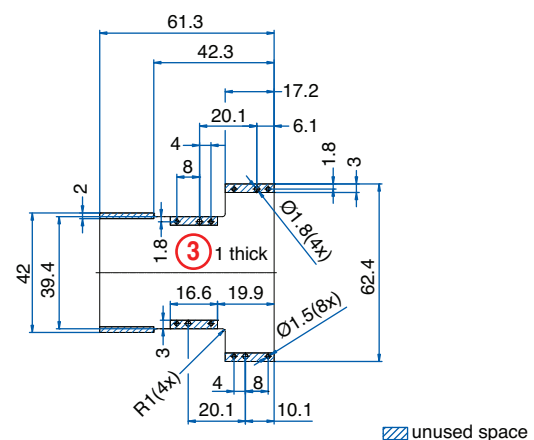
ACCESSORIES

| Accessories | Part Number | Type |
|------------------|-------------|-------------|
| 1 Meter DIN Rail | 2511120/1M | TS35x7.5/1M |

ENCLOSURE DRAWING (To convert to inches divide by 25.4.)



PCB DRAWING (To convert to inches divide by 25.4.)



35mm Enclosure Without Terminals



TECHNICAL INFORMATION

| | |
|--|---|
| Electrical: - | Terminal Type: - |
| Housing Material: Glass-filled Polycarbonate | Terminal Screw Size: - |
| Temperature Range: Up to 115°C (239°F) | Recommended Torque: - |
| Flammability Rating: UL94 V-O | PCB Locations: (3) Vertical, Parallel |
| Color: Light Gray Cover, Black Base | Mounting: 35mm DIN Rail |

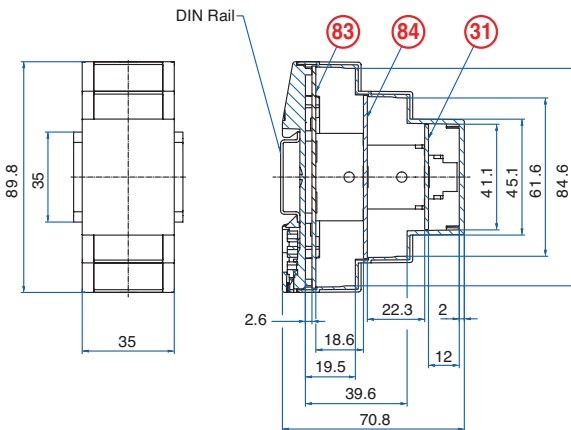
ORDERING INFORMATION

| Part Number | Type | Description | PCB Connection |
|-------------|---------|-------------------|----------------|
| 91.810 | KU4188B | Without Terminals | None |

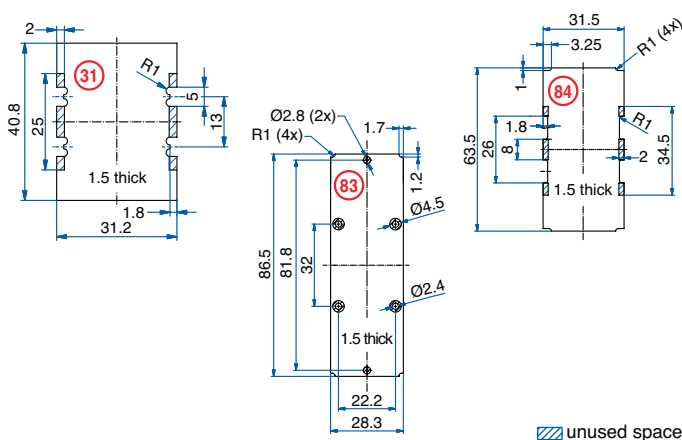
ACCESSORIES

| Accessories | Part Number | Type |
|------------------|-------------|-------------|
| 1 Meter DIN Rail | 2511120/1M | TS35x7.5/1M |

ENCLOSURE DRAWING (To convert to inches divide by 25.4.)



PCB DRAWING (To convert to inches divide by 25.4.)



20 Terminal Fixed PCB Blocks



TECHNICAL INFORMATION

| | |
|---|---|
| Electrical: 12A, 250V, 24-12 AWG | Terminal Type: Screw / Rising Clamp |
| Housing Material: Glass-filled Polycarbonate | Terminal Screw Size: M2.5 |
| Temperature Range: Up to 115°C (239°F) | Recommended Torque: 0.4Nm |
| Flammability Rating: UL94 V-O | PCB Locations: (2) Vertical, Parallel |
| Color: Light Gray Cover, Black Base and Terminals | Mounting: 35mm DIN Rail |

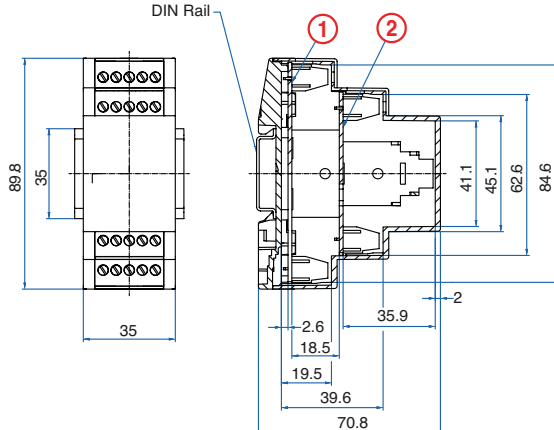
ORDERING INFORMATION

| Part Number | Type | Description | PCB Connection |
|-------------|---------|--------------------|----------------|
| 91.811 | KU4188F | Fixed PCB Terminal | Machine Solder |

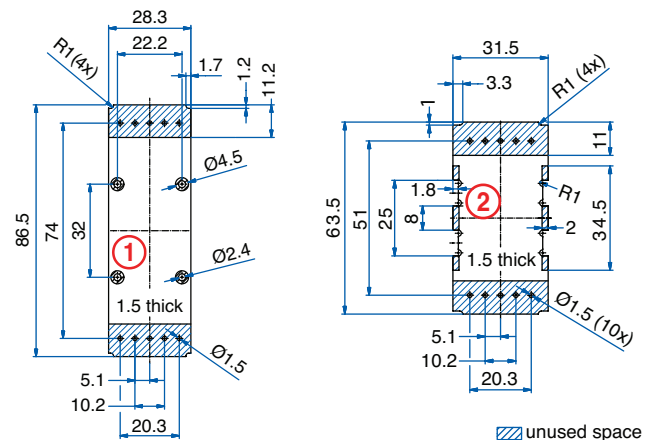
ACCESSORIES

| Accessories | Part Number | Type |
|--------------------------|-------------|-------------|
| 1 Meter DIN Rail | 2511120/1M | TS35x7.5/1M |
| Terminal Cover (12 pole) | 91.801.1 | TCS/12 |

ENCLOSURE DRAWING (To convert to inches divide by 25.4.)



PCB DRAWING (To convert to inches divide by 25.4.)



20 Terminal

Pluggable PCB
Plugs / Headers



TECHNICAL INFORMATION

Electrical: 12A, 250V, 28-14 AWG
Housing Material: Glass-filled Polycarbonate
Temperature Range: Up to 115°C (239°F)
Flammability Rating: UL94 V-O
Color: Light Gray Cover, Black Base and Terminals

Terminal Type: Screw / Rising Clamp
Terminal Screw Size: M2.5
Recommended Torque: 0.4Nm
PCB Locations: (2) Vertical, Parallel
Mounting: 35mm DIN Rail

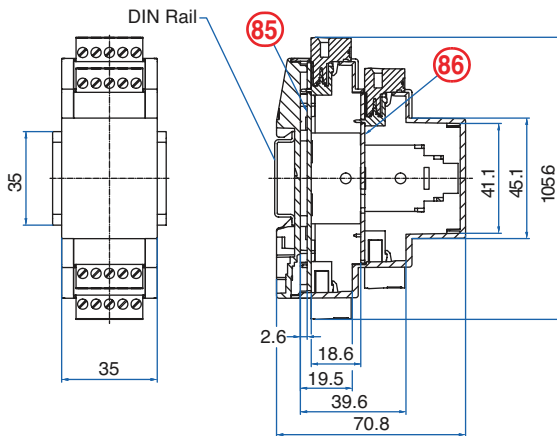
ORDERING INFORMATION

| Part Number | Type | Description | PCB Connection |
|-------------|---------|-------------------------|----------------|
| 91.812 | KU4188P | Pluggable PCB Terminals | Machine Solder |

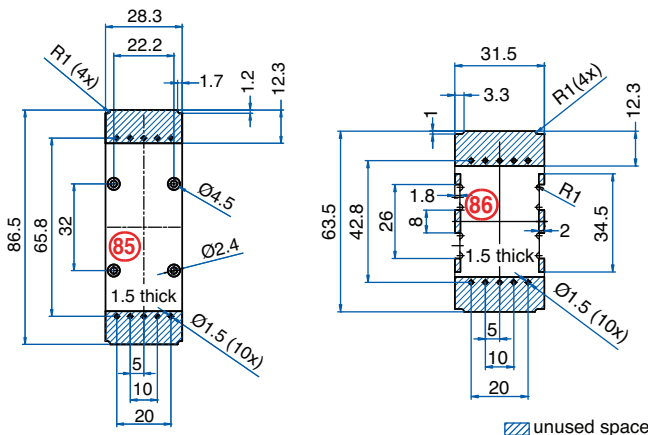
ACCESSORIES

| Accessories | Part Number | Type |
|------------------|-------------|-------------|
| 1 Meter DIN Rail | 251120/1M | TS35x7.5/1M |

ENCLOSURE DRAWING (To convert to inches divide by 25.4.)



PCB DRAWING (To convert to inches divide by 25.4.)



16 Terminal

High Current PCB
Blocks



TECHNICAL INFORMATION

Electrical: 40A, 250V, 20-8 AWG
Housing Material: Glass-filled Polycarbonate
Temperature Range: Up to 115°C (239°F)
Flammability Rating: UL94 V-O
Color: Light Gray Cover, Black Base

Terminal Type: Screw / Rising Clamp
Terminal Screw Size: M3.5
Recommended Torque: 1.2Nm
PCB Locations: (2) Vertical, Perpendicular
Mounting: 35mm DIN Rail

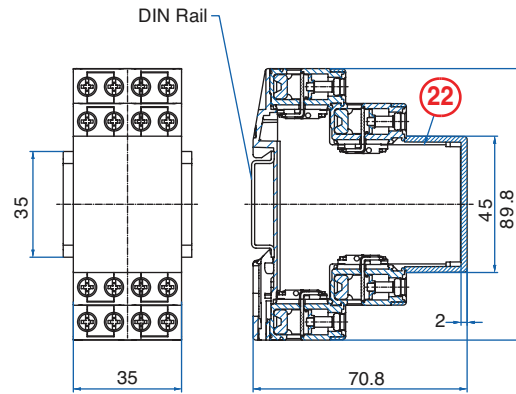
ORDERING INFORMATION

| Part Number | Type | Description | PCB Connection |
|-------------|----------|------------------------|----------------|
| 91.813 | KU4188HC | High Current Terminals | Machine Solder |

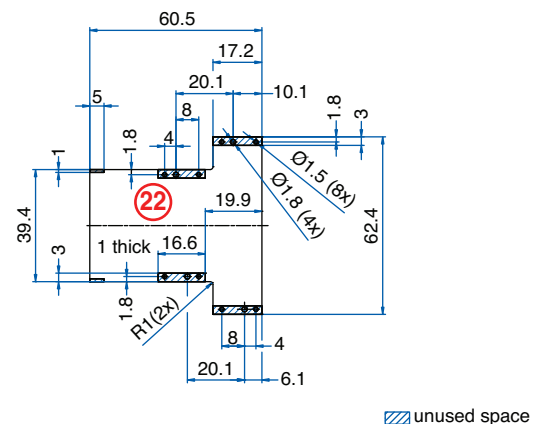
ACCESSORIES

| Accessories | Part Number | Type |
|------------------|-------------|-------------|
| 1 Meter DIN Rail | 251120/1M | TS35x7.5/1M |

ENCLOSURE DRAWING (To convert to inches divide by 25.4.)



PCB DRAWING (To convert to inches divide by 25.4.)



52.5mm Enclosure
Without Terminals



TECHNICAL INFORMATION

Electrical: –
Housing Material: Glass-filled Polycarbonate
Temperature Range: Up to 115°C (239°F)
Flammability Rating: UL94 V-O
Color: Light Gray Cover, Black Base

Terminal Type: –
Terminal Screw Size: –
Recommended Torque: –
PCB Locations: (3) Vertical, Parallel
Mounting: 35mm DIN Rail

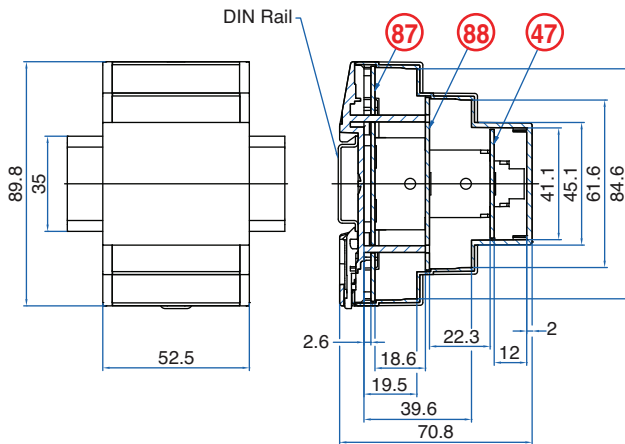
ORDERING INFORMATION

| Part Number | Type | Description | PCB Connection |
|-------------|---------|-------------------|----------------|
| 91.820 | KU4184B | Without Terminals | None |

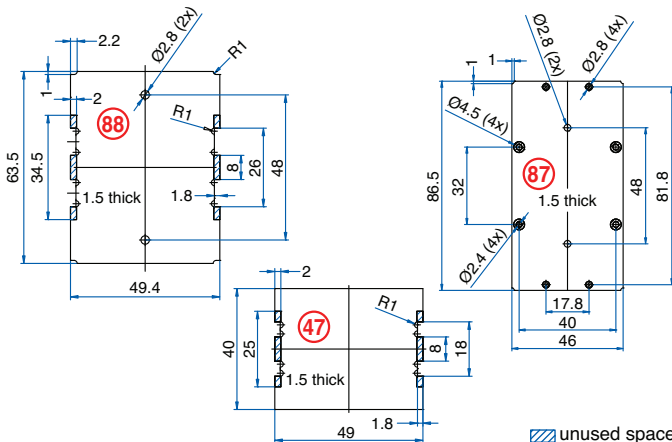
ACCESSORIES

| Accessories | Part Number | Type |
|------------------|-------------|-------------|
| 1 Meter DIN Rail | 2511120/1M | TS35x7.5/1M |

ENCLOSURE DRAWING (To convert to inches divide by 25.4.)



PCB DRAWING (To convert to inches divide by 25.4.)



36 Terminal
Fixed PCB Blocks



TECHNICAL INFORMATION

Electrical: 12A, 250V, 24-12 AWG
Housing Material: Glass-filled Polycarbonate
Temperature Range: Up to 115°C (239°F)
Flammability Rating: UL94 V-O
Color: Light Gray Cover, Black Base and Terminals

Terminal Type: Screw / Rising Clamp
Terminal Screw Size: M2.5
Recommended Torque: 0.4Nm
PCB Locations: (2) Vertical, Parallel
Mounting: 35mm DIN Rail

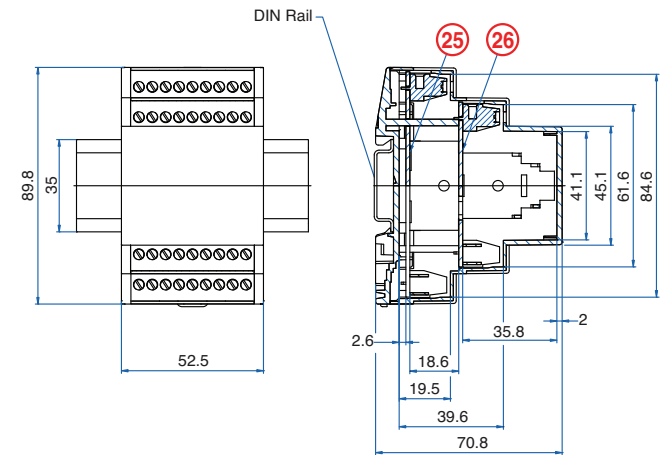
ORDERING INFORMATION

| Part Number | Type | Description | PCB Connection |
|-------------|---------|---------------------|----------------|
| 91.821 | KU4184F | Fixed PCB Terminals | Machine Solder |

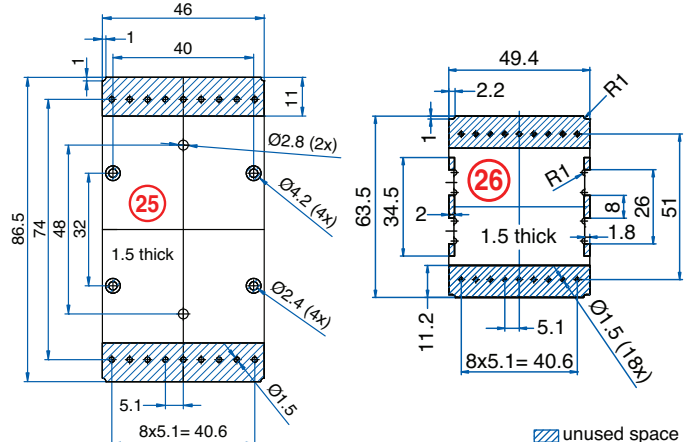
ACCESSORIES

| Accessories | Part Number | Type |
|--------------------------|-------------|-------------|
| 1 Meter DIN Rail | 2511120/1M | TS35x7.5/1M |
| Terminal Cover (12 pole) | 91.801.1 | TCS/12 |

ENCLOSURE DRAWING (To convert to inches divide by 25.4.)



PCB DRAWING (To convert to inches divide by 25.4.)



48 Terminal
Fixed PCB Blocks



TECHNICAL INFORMATION

Electrical: 12A, 250V, 24-12 AWG
Housing Material: Glass-filled Polycarbonate
Temperature Range: Up to 115°C (239°F)
Flammability Rating: UL94 V-O
Color: Light Gray Cover, Black Base and Terminals

Terminal Type: Screw / Rising Clamp
Terminal Screw Size: M2.5
Recommended Torque: 0.4Nm
PCB Locations: (2) Vertical, Parallel
Mounting: 35mm DIN Rail

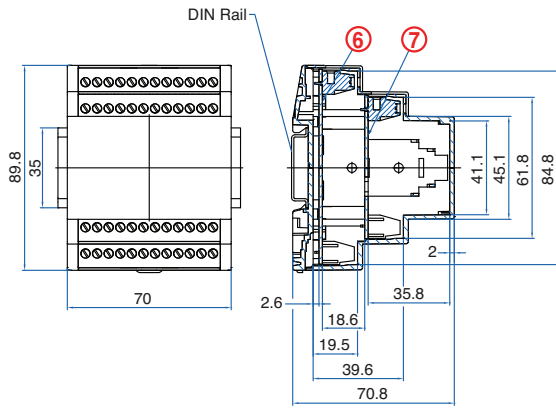
ORDERING INFORMATION

| Part Number | Type | Description | PCB Connection |
|-------------|---------|---------------------|----------------|
| 91.831 | KU4189F | Fixed PCB Terminals | Machine Solder |

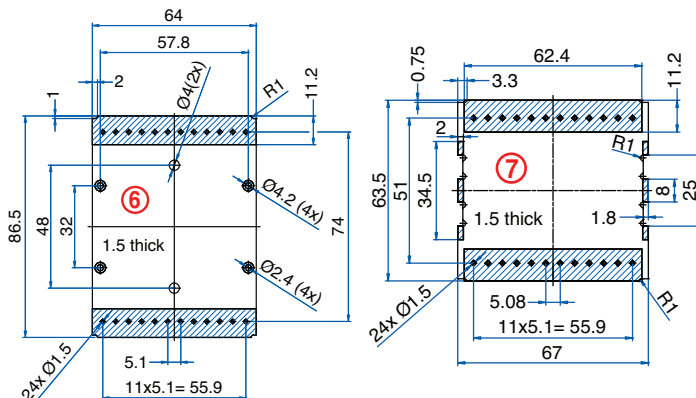
ACCESSORIES

| Accessories | Part Number | Type |
|--------------------------|-------------|-------------|
| 1 Meter DIN Rail | 251120/1M | TS35x7.5/1M |
| Terminal Cover (12 pole) | 91.801.1 | TCS/12 |

ENCLOSURE DRAWING (To convert to inches divide by 25.4.)



PCB DRAWING (To convert to inches divide by 25.4.)



▨ unused space

48 Terminal
Pluggable PCB
Plugs / Headers



TECHNICAL INFORMATION

Electrical: 12A, 250V, 28-14 AWG
Housing Material: Glass-filled Polycarbonate
Temperature Range: Up to 115°C (239°F)
Flammability Rating: UL94 V-O
Color: Light Gray Cover, Black Base and Terminals

Terminal Type: Screw / Rising Clamp
Terminal Screw Size: M2.5
Recommended Torque: 0.4Nm
PCB Locations: (2) Vertical, Parallel
Mounting: 35mm DIN Rail

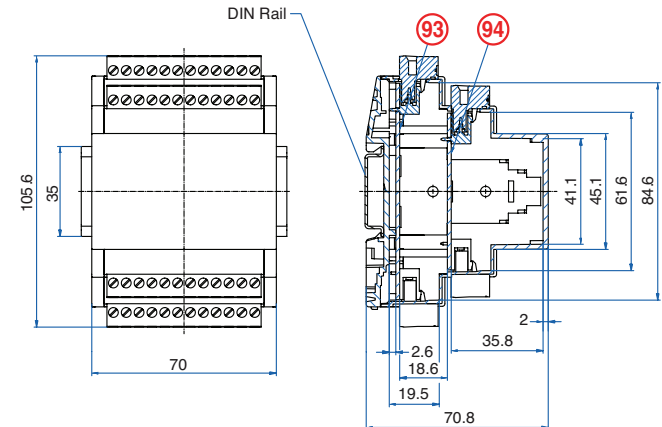
ORDERING INFORMATION

| Part Number | Type | Description | PCB Connection |
|-------------|---------|-------------------------|----------------|
| 91.832 | KU4189P | Pluggable PCB Terminals | Machine Solder |

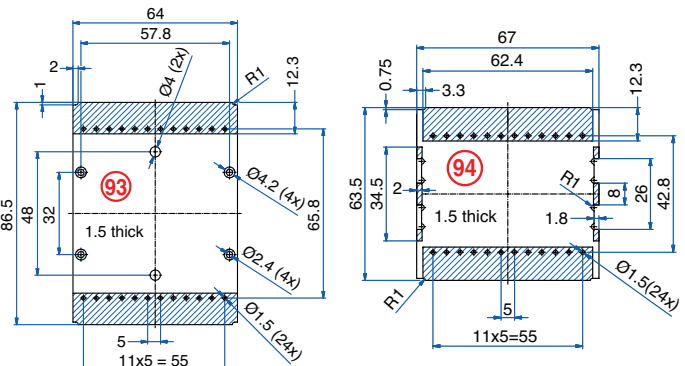
ACCESSORIES

| Accessories | Part Number | Type |
|------------------|-------------|-------------|
| 1 Meter DIN Rail | 251120/1M | TS35x7.5/1M |

ENCLOSURE DRAWING (To convert to inches divide by 25.4.)



PCB DRAWING (To convert to inches divide by 25.4.)



▨ unused space

KU4100 Series

105mm Enclosure Without Terminals



TECHNICAL INFORMATION

| | |
|--|---|
| Electrical: - | Terminal Type: - |
| Housing Material: Glass-filled Polycarbonate | Terminal Screw Size: - |
| Temperature Range: Up to 115°C (239°F) | Recommended Torque: - |
| Flammability Rating: UL94 V-O | PCB Locations: (3) Vertical, Parallel |
| Color: Light Gray Cover, Black Base | Mounting: 35mm DIN Rail |

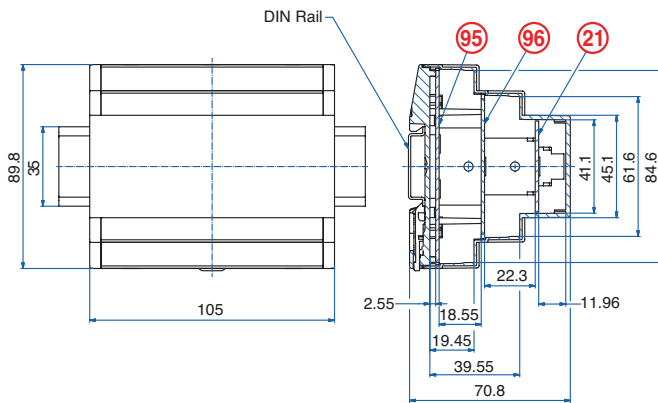
ORDERING INFORMATION

| Part Number | Type | Description | PCB Connection |
|-------------|---------|-------------------|----------------|
| 91.840 | KU4190B | Without Terminals | None |

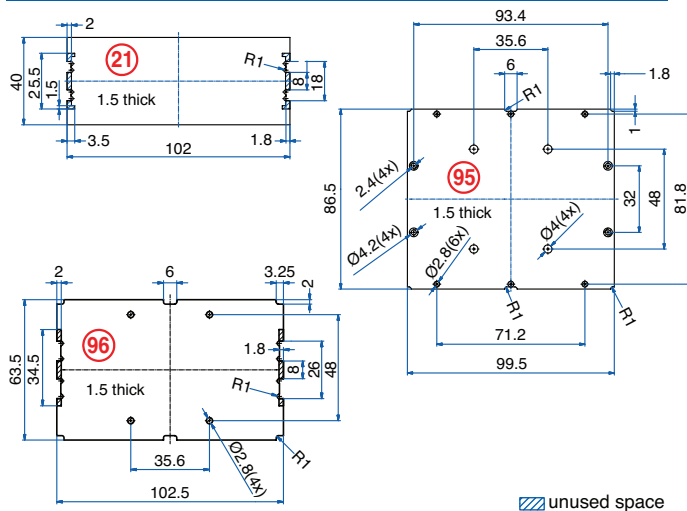
ACCESSORIES

| Accessories | Part Number | Type |
|------------------|-------------|-------------|
| 1 Meter DIN Rail | 251120/1M | TS35x7.5/1M |

ENCLOSURE DRAWING (To convert to inches divide by 25.4.)



PCB DRAWING (To convert to inches divide by 25.4.)



72 Terminal Fixed PCB Blocks



TECHNICAL INFORMATION

| | |
|---|---|
| Electrical: 12A, 250V, 24-12 AWG | Terminal Type: Screw / Rising Clamp |
| Housing Material: Glass-filled Polycarbonate | Terminal Screw Size: M2.5 |
| Temperature Range: Up to 115°C (239°F) | Recommended Torque: 0.4Nm |
| Flammability Rating: UL94 V-O | PCB Locations: (2) Vertical, Parallel |
| Color: Light Gray Cover, Black Base and Terminals | Mounting: 35mm DIN Rail |

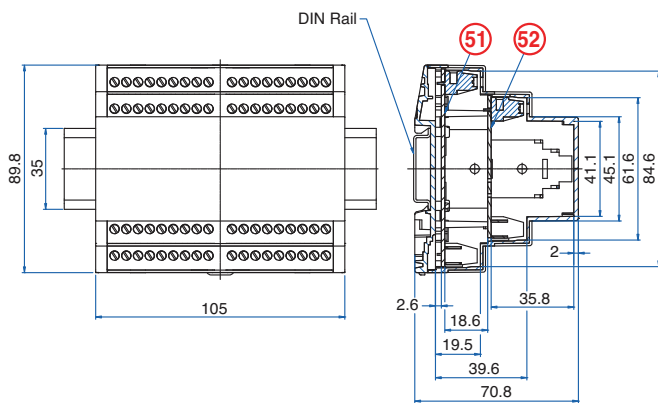
ORDERING INFORMATION

| Part Number | Type | Description | PCB Connection |
|-------------|---------|---------------------|----------------|
| 91.841 | KU4190F | Fixed PCB Terminals | Machine Solder |

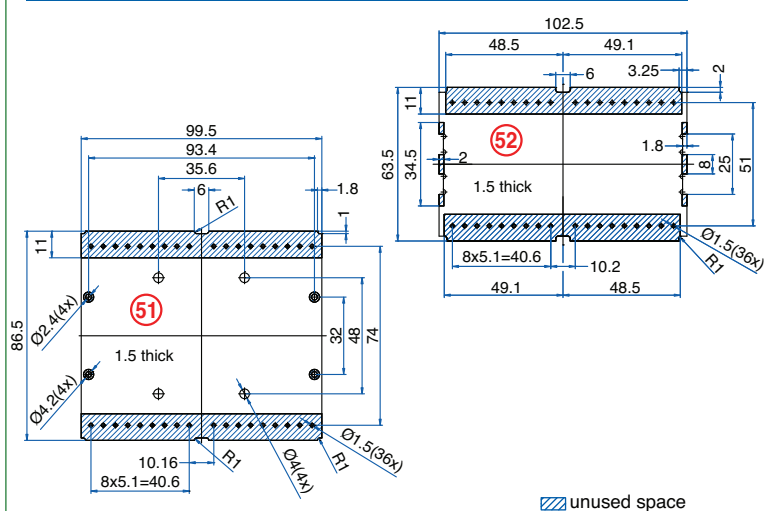
ACCESSORIES

| Accessories | Part Number | Type |
|--------------------------|-------------|-------------|
| 1 Meter DIN Rail | 251120/1M | TS35x7.5/1M |
| Terminal Cover (12 pole) | 91.801.1 | TCS/12 |

ENCLOSURE DRAWING (To convert to inches divide by 25.4.)



PCB DRAWING (To convert to inches divide by 25.4.)



72 Terminal
Pluggable PCB
Plugs / Headers



TECHNICAL INFORMATION

Electrical: 12A, 250V, 28-14 AWG
Housing Material: Glass-filled Polycarbonate
Temperature Range: Up to 115°C (239°F)
Flammability Rating: UL94 V-O
Color: Light Gray Cover, Black Base and Terminals

Terminal Type: Screw / Rising Clamp
Terminal Screw Size: M2.5
Recommended Torque: 0.4Nm
PCB Locations: (2) Vertical, Parallel
Mounting: 35mm DIN Rail

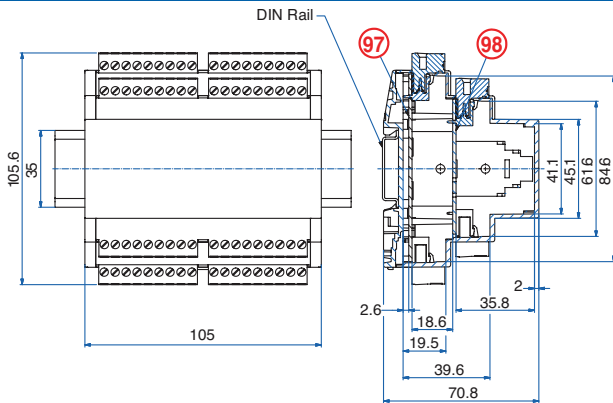
ORDERING INFORMATION

| Part Number | Type | Description | PCB Connection |
|-------------|---------|-------------------------|----------------|
| 91.842 | KU4190P | Pluggable PCB Terminals | Machine Solder |

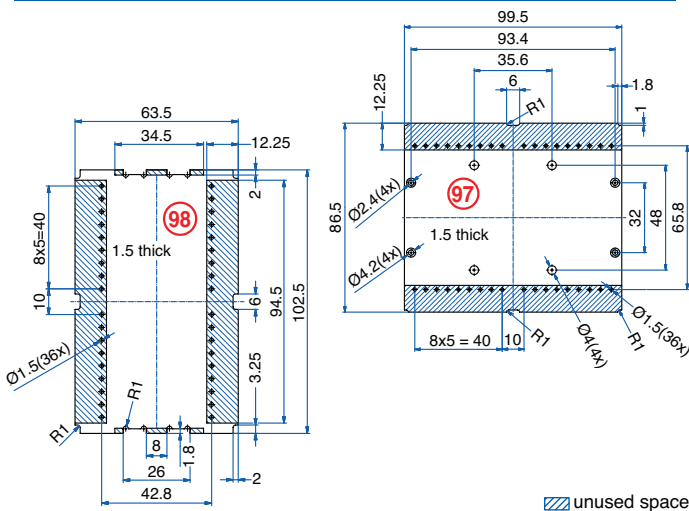
ACCESSORIES

| Accessories | Part Number | Type |
|------------------|-------------|-------------|
| 1 Meter DIN Rail | 2511120/1M | TS35x7.5/1M |

ENCLOSURE DRAWING (To convert to inches divide by 25.4.)



PCB DRAWING (To convert to inches divide by 25.4.)



140mm Enclosure
Without Terminals



TECHNICAL INFORMATION

Electrical: -
Housing Material: Glass-filled Polycarbonate
Temperature Range: Up to 115°C (239°F)
Flammability Rating: UL94 V-O
Color: Light Gray Cover, Black Base

Terminal Type: -
Terminal Screw Size: -
Recommended Torque: -
PCB Locations: (3) Vertical, Parallel
Mounting: 35mm DIN Rail

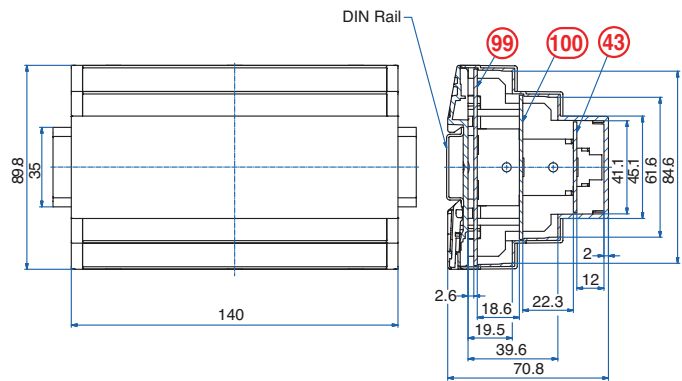
ORDERING INFORMATION

| Part Number | Type | Description | PCB Connection |
|-------------|---------|-------------------|----------------|
| 91.850 | KU4191B | Without Terminals | None |

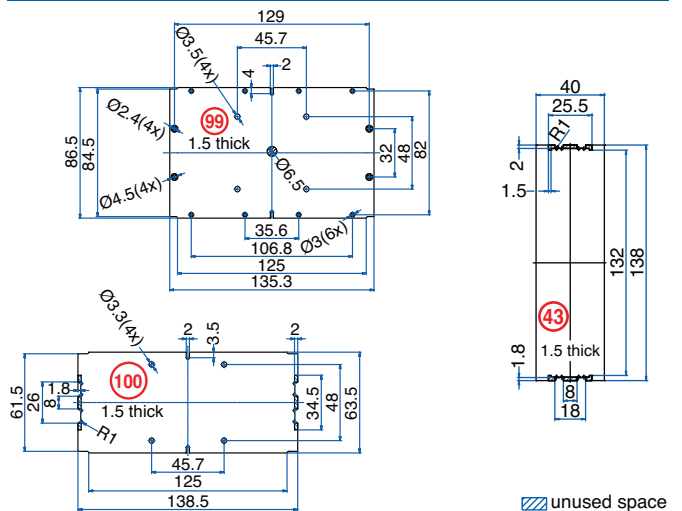
ACCESSORIES

| Accessories | Part Number | Type |
|------------------|-------------|-------------|
| 1 Meter DIN Rail | 2511120/1M | TS35x7.5/1M |

ENCLOSURE DRAWING (To convert to inches divide by 25.4.)



PCB DRAWING (To convert to inches divide by 25.4.)



KU4100 Series

96 Terminal Fixed PCB Blocks



TECHNICAL INFORMATION

Electrical: 12A, 250V, 24-12 AWG
Housing Material: Glass-filled Polycarbonate
Temperature Range: Up to 115°C (239°F)
Flammability Rating: UL94 V-O
Color: Light Gray Cover, Black Base and Terminals

Terminal Type: Screw / Rising Clamp
Terminal Screw Size: M2.5
Recommended Torque: 0.4Nm
PCB Locations: (2) Vertical, Parallel
Mounting: 35mm DIN Rail

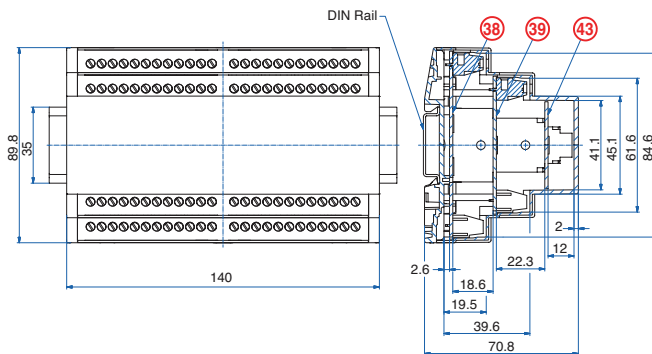
ORDERING INFORMATION

| Part Number | Type | Description | PCB Connection |
|-------------|---------|---------------------|----------------|
| 91.851 | KU4191F | Fixed PCB Terminals | Machine Solder |

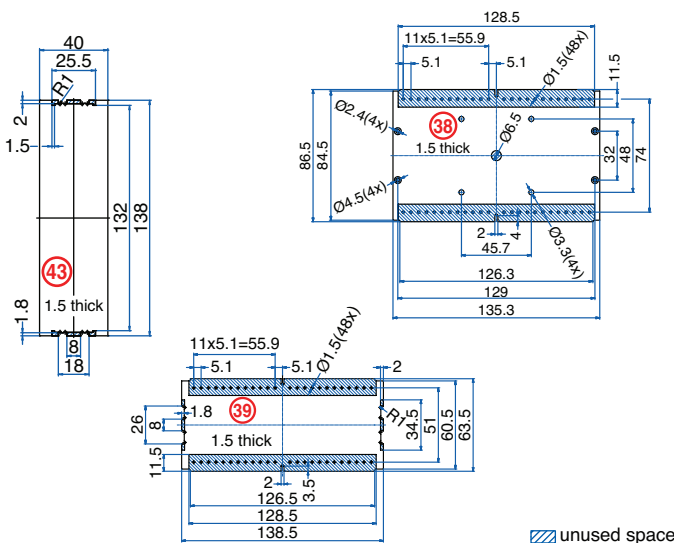
ACCESSORIES

| Accessories | Part Number | Type |
|--------------------------|-------------|-------------|
| 1 Meter DIN Rail | 2511120/1M | TS35x7.5/1M |
| Terminal Cover (12 pole) | 91.801.1 | TCS/12 |

ENCLOSURE DRAWING (To convert to inches divide by 25.4.)



PCB DRAWING (To convert to inches divide by 25.4.)



96 Terminal Pluggable PCB Plugs / Headers



TECHNICAL INFORMATION

Electrical: 12A, 250V, 28-14 AWG
Housing Material: Glass-filled Polycarbonate
Temperature Range: Up to 115°C (239°F)
Flammability Rating: UL94 V-O
Color: Light Gray Cover, Black Base and Terminals

Terminal Type: Screw / Rising Clamp
Terminal Screw Size: M2.5
Recommended Torque: 0.4Nm
PCB Locations: (2) Vertical, Parallel
Mounting: 35mm DIN Rail

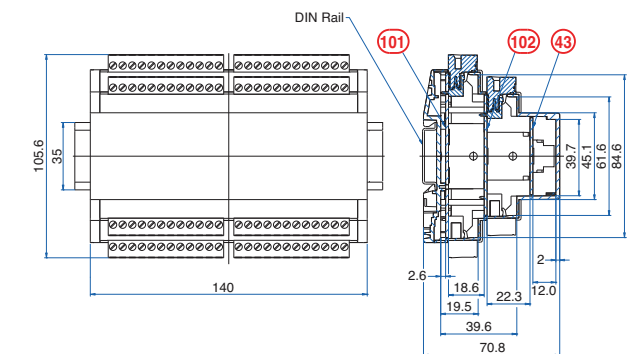
ORDERING INFORMATION

| Part Number | Type | Description | PCB Connection |
|-------------|---------|-------------------------|----------------|
| 91.852 | KU4191P | Pluggable PCB Terminals | Machine Solder |

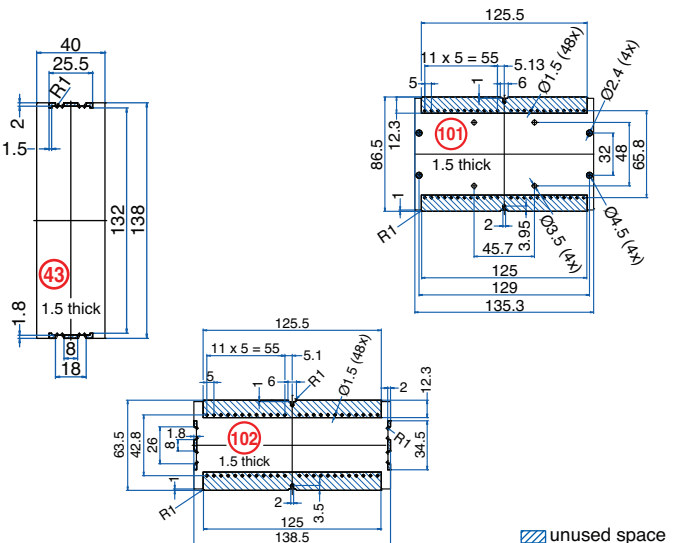
ACCESSORIES

| Accessories | Part Number | Type |
|------------------|-------------|-------------|
| 1 Meter DIN Rail | 2511120/1M | TS35x7.5/1M |

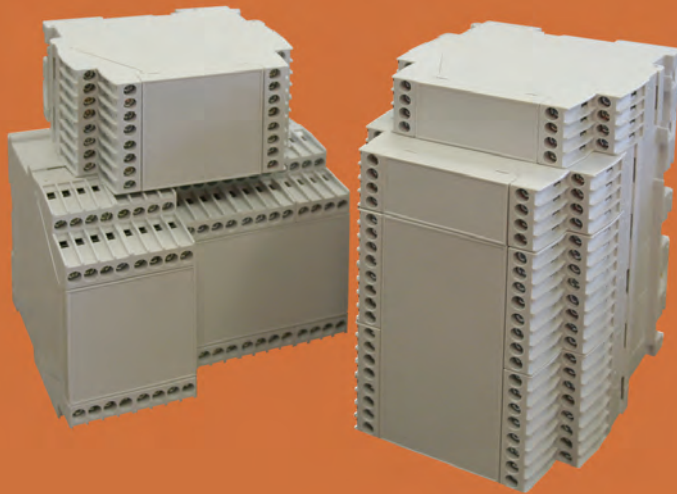
ENCLOSURE DRAWING (To convert to inches divide by 25.4.)



PCB DRAWING (To convert to inches divide by 25.4.)



KO4300 Series



The **KO4300 Series Enclosures** feature high density double level terminals making them ideal for many electronic applications. They are small to medium in size ranging from 16 to 64 terminals. There are 4 widths available each having a short and tall version. Terminal styles are available in fixed screw terminals, pluggable screw terminals or pluggable spring clamp terminals.

MATERIALS

Housing Shell: Polycarbonate, 10% Glass Filled
Terminal Housing: Polyamide, 40% Glass Filled
Terminal: Tin-plated Steel (spring terminal: stainless steel)
Standard Color: Light Gray

TEMPERATURE RATINGS:

Terminal Housing: 290°C (554°F) UL94VO
Housing: 115°C (239°F) UL94VO

PROTECTION

KO4300 series enclosures have an IP20 rating (finger protected) and meet VBG4 and other European accident prevention requirements.

CONSTRUCTION

The KO4300 enclosure series housings are supplied as unassembled kits. Each kit consists of a housing base, terminal cover side parts, terminal blocks and a front plate. The double level terminal design keeps the enclosure width to a minimum freeing valuable DIN rail space. The terminals are machine solderable with right angle pins. Integral printed circuit board guides are molded into the housing base to help with proper board insertion and containment. Boards are mounted vertically in the enclosure, perpendicular to the DIN rail.

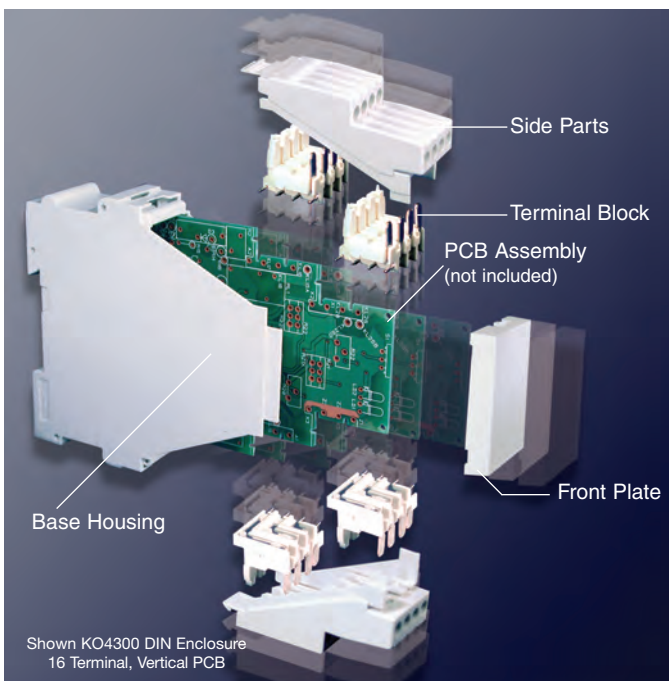
TERMINALS

Rising clamp screw terminals are used with the KO4300 series enclosures. Wires to be terminated are squeezed between the bottom of the rising clamp and the terminal strip for reliable, gas-tight connections. The terminals can be machine soldered to the board in the same step as the other components to save time and labor. All terminals have funnel shaped wire openings to eliminate wire fraying. The terminal screws can be turned with a flat tip or a #2 Phillips screwdriver.

Pluggable screw clamp and spring clamp terminals are also available. A 3mm wide flat blade screwdriver should be used to open the spring terminal for wire insertion.

MOUNTING

The KO4300 series can easily be mounted on standard 35mm DIN rail by means of the integral mounting foot and DIN clip.



CUSTOMIZATION

Many custom options are available for the KO4300 series enclosures. Some of the available options are:

- Partial terminal loading
- Side ventilation slots
- Internal/External bus connections
- Machining of custom holes
- PCB grounding to the DIN rail
- RJ45 and DB9 openings in front plate

HOUSING ASSEMBLY

- Place all assemblies on a level surface
- Terminal blocks should be pre-assembled on the PCB
- Push the side parts over the terminal blocks ensuring that the guide pins of the terminal blocks slide into the holes of the side parts
- Snap the front plate onto the pre-mounted side parts
- Slide the PCB of the upper section into the guide grooves of the base
- Slide the upper section into the base. Make sure that the wall areas overlap correctly and the guide element of the base slides in the mating recess of the base.
- Push the assembly completely together so that the clips on the side parts snap into the recesses in the base

KO4300 Series

16 Terminal Vertical PCB



TECHNICAL INFORMATION

Electrical: 16A, 300V, 22-12 AWG
Housing Material: Glass-filled Polycarbonate
Terminal Block Material: Glass-filled Polyamide
Temperature Range: Up to 115°C (239°F), Housing
 290°C (554°F), Terminals
Flammability Rating: UL94 V-O
Color: Light Gray

Terminal Type: Screw / Rising Clamp
Terminal Screw Size: M3.5
Recommended Torque: 0.8Nm
Max. PCB's: (2) Vertical
Mounting: 35mm DIN Rail

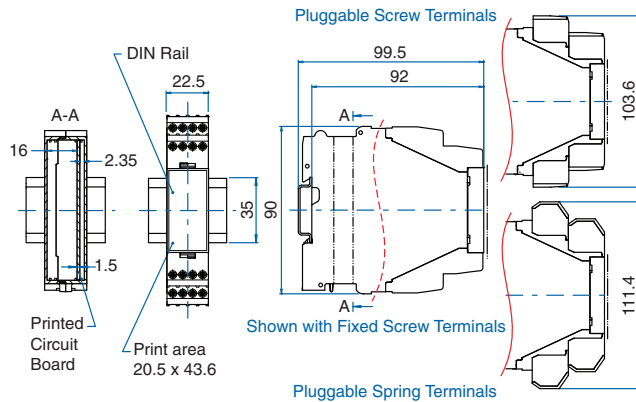
ORDERING INFORMATION

| Part Number | Type | Terminals | PCB Connection |
|-------------|-----------|------------------|----------------|
| 90.900 | KO4323 | Fixed Screw | Machine Solder |
| 90.903 | KO4323stS | Pluggable Screw | Machine Solder |
| 90.905 | KO4323stK | Pluggable Spring | Machine Solder |

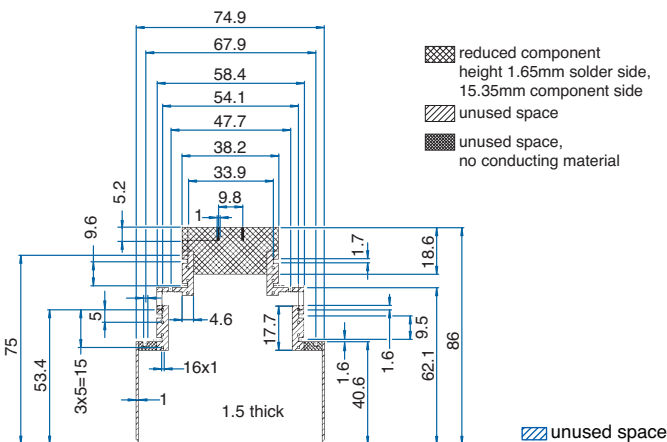
ACCESSORIES

| Accessories | Part Number | Type |
|------------------|-------------|-------------|
| 1 Meter DIN Rail | 2511120/1M | TS35x7.5/1M |

ENCLOSURE DRAWING (To convert to inches divide by 25.4.)



PCB DRAWING (To convert to inches divide by 25.4.)



16 Terminal Tall Vertical PCB



TECHNICAL INFORMATION

Electrical: 16A, 300V, 22-12 AWG
Housing Material: Glass-filled Polycarbonate
Terminal Block Material: Glass-filled Polyamide
Temperature Range: Up to 115°C (239°F), Housing
 290°C (554°F), Terminals
Flammability Rating: UL94 V-O
Color: Light Gray

Terminal Type: Screw / Rising Clamp
Terminal Screw Size: M3.5
Recommended Torque: 0.8Nm
Max. PCB's: (2) Vertical
Mounting: 35mm DIN Rail

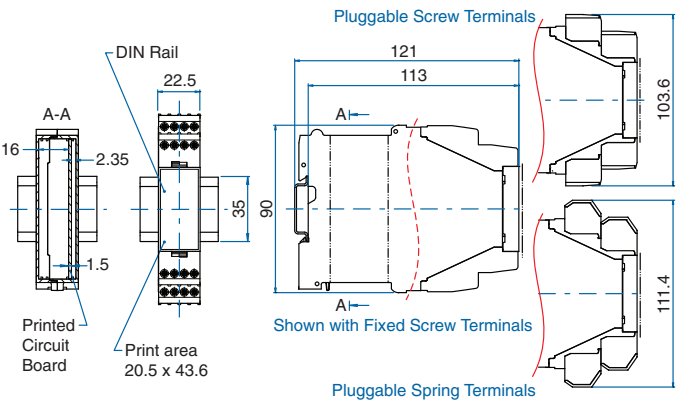
ORDERING INFORMATION

| Part Number | Type | Terminals | PCB Connection |
|-------------|-----------|------------------|----------------|
| 90.910 | KO4303 | Fixed Screw | Machine Solder |
| 90.913 | KO4303stS | Pluggable Screw | Machine Solder |
| 90.915 | KO4303stK | Pluggable Spring | Machine Solder |

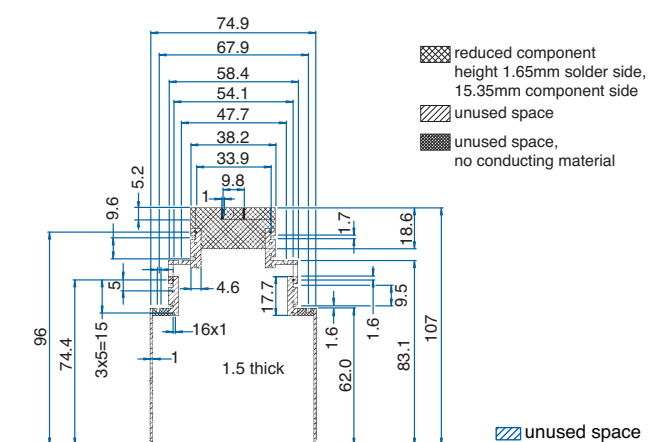
ACCESSORIES

| Accessories | Part Number | Type |
|------------------|-------------|-------------|
| 1 Meter DIN Rail | 2511120/1M | TS35x7.5/1M |

ENCLOSURE DRAWING (To convert to inches divide by 25.4.)



PCB DRAWING (To convert to inches divide by 25.4.)



32 Terminal Vertical PCB



TECHNICAL INFORMATION

Electrical: 16A, 300V, 22-12 AWG
Housing Material: Glass-filled Polycarbonate
Terminal Block Material: Glass-filled Polyamide
Temperature Range: Up to 115°C (239°F), Housing
 290°C (554°F), Terminals
Flammability Rating: UL94 V-O
Color: Light Gray

Terminal Type: Screw / Rising Clamp
Terminal Screw Size: M3.5
Recommended Torque: 0.8Nm
Max. PCB's: (4) Vertical
Mounting: 35mm DIN Rail

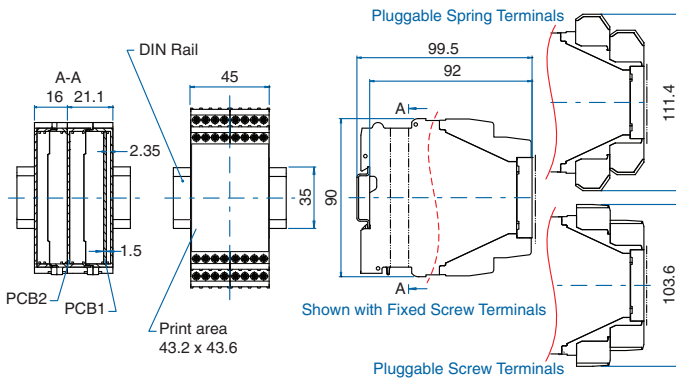
ORDERING INFORMATION

| Part Number | Type | Terminals | PCB Connection |
|-------------|-----------|------------------|----------------|
| 90.920 | KO4324 | Fixed Screw | Machine Solder |
| 90.923 | KO4324stS | Pluggable Screw | Machine Solder |
| 90.925 | KO4324stK | Pluggable Spring | Machine Solder |

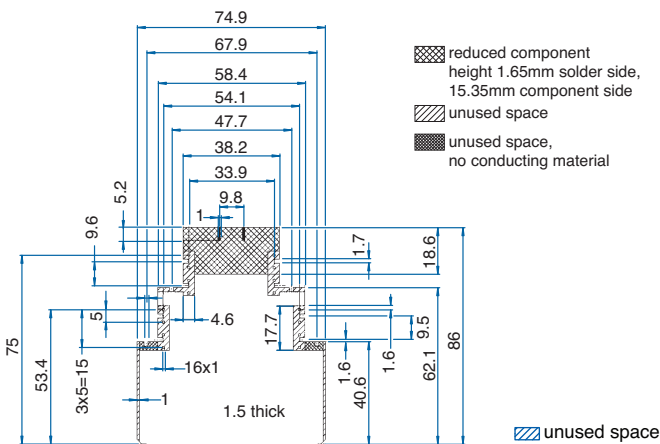
ACCESSORIES

| Accessories | Part Number | Type |
|------------------|-------------|-------------|
| 1 Meter DIN Rail | 2511120/1M | TS35x7.5/1M |

ENCLOSURE DRAWING (To convert to inches divide by 25.4.)



PCB DRAWING (To convert to inches divide by 25.4.)



32 Terminal Tall Vertical PCB



TECHNICAL INFORMATION

Electrical: 16A, 300V, 22-12 AWG
Housing Material: Glass-filled Polycarbonate
Terminal Block Material: Glass-filled Polyamide
Temperature Range: Up to 115°C (239°F), Housing
 290°C (554°F), Terminals
Flammability Rating: UL94 V-O
Color: Light Gray

Terminal Type: Screw / Rising Clamp
Terminal Screw Size: M3.5
Recommended Torque: 0.8Nm
Max. PCB's: (4) Vertical
Mounting: 35mm DIN Rail

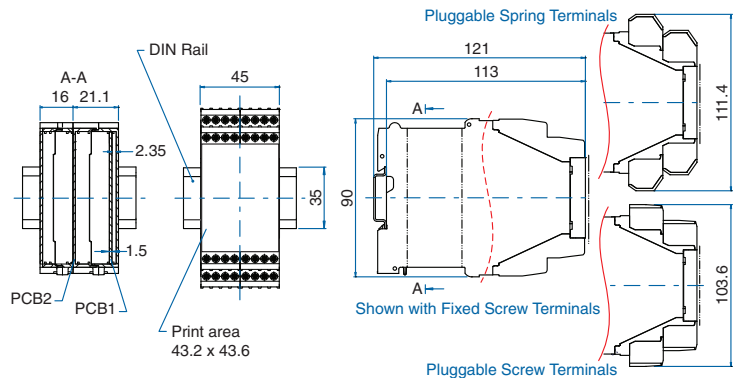
ORDERING INFORMATION

| Part Number | Type | Terminals | PCB Connection |
|-------------|-----------|------------------|----------------|
| 90.930 | KO4304 | Fixed Screw | Machine Solder |
| 90.933 | KO4304stS | Pluggable Screw | Machine Solder |
| 90.935 | KO4304stK | Pluggable Spring | Machine Solder |

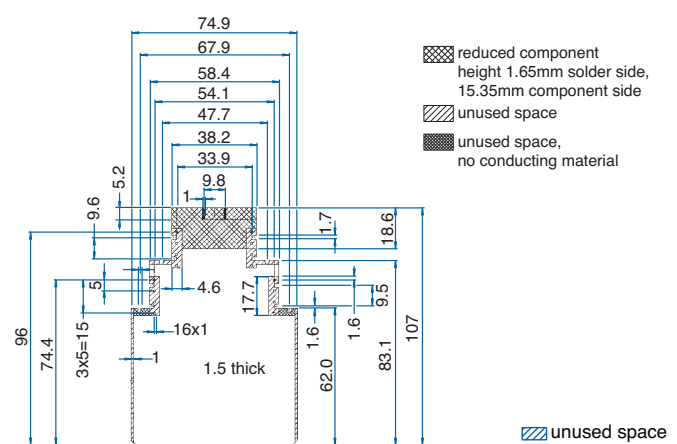
ACCESSORIES

| Accessories | Part Number | Type |
|------------------|-------------|-------------|
| 1 Meter DIN Rail | 2511120/1M | TS35x7.5/1M |

ENCLOSURE DRAWING (To convert to inches divide by 25.4.)



PCB DRAWING (To convert to inches divide by 25.4.)



KO4300 Series

48 Terminal Vertical PCB



TECHNICAL INFORMATION

Electrical:
16A, 300V, 22-12 AWG

Housing Material:
Glass-filled Polycarbonate

Terminal Block Material:
Glass-filled Polyamide

Temperature Range:
Up to 115°C (239°F), Housing
290°C (554°F), Terminals

Flammability Rating:
UL94 V-O

Color: Light Gray

Terminal Type:
Screw / Rising Clamp

Terminal Screw Size:
M3.5

Recommended Torque:
0.8Nm

Max. PCB's:
(6) Vertical

Mounting:
35mm DIN Rail

ORDERING INFORMATION

| Part Number | Type | Terminals | PCB Connection |
|-------------|-----------|------------------|----------------|
| 90.940 | KO4325 | Fixed Screw | Machine Solder |
| 90.943 | KO4325stS | Pluggable Screw | Machine Solder |
| 90.945 | KO4325stK | Pluggable Spring | Machine Solder |

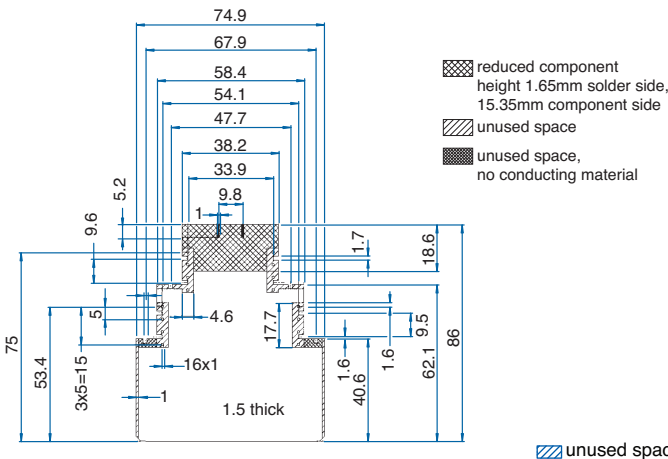
ACCESSORIES

| Accessories | Part Number | Type |
|------------------|-------------|-------------|
| 1 Meter DIN Rail | 2511120/1M | TS35x7.5/1M |

ENCLOSURE DRAWING (To convert to inches divide by 25.4.)



PCB DRAWING (To convert to inches divide by 25.4.)



48 Terminal Tall Vertical PCB



TECHNICAL INFORMATION

Electrical:
16A, 300V, 22-12 AWG

Housing Material:
Glass-filled Polycarbonate

Terminal Block Material:
Glass-filled Polyamide

Temperature Range:
Up to 115°C (239°F), Housing
290°C (554°F), Terminals

Flammability Rating:
UL94 V-O

Color: Light Gray

Terminal Type:
Screw / Rising Clamp

Terminal Screw Size:
M3.5

Recommended Torque:
0.8Nm

Max. PCB's:
(6) Vertical

Mounting:
35mm DIN Rail

ORDERING INFORMATION

| Part Number | Type | Terminals | PCB Connection |
|-------------|-----------|------------------|----------------|
| 90.950 | KO4305 | Fixed Screw | Machine Solder |
| 90.953 | KO4305stS | Pluggable Screw | Machine Solder |
| 90.955 | KO4305stK | Pluggable Spring | Machine Solder |

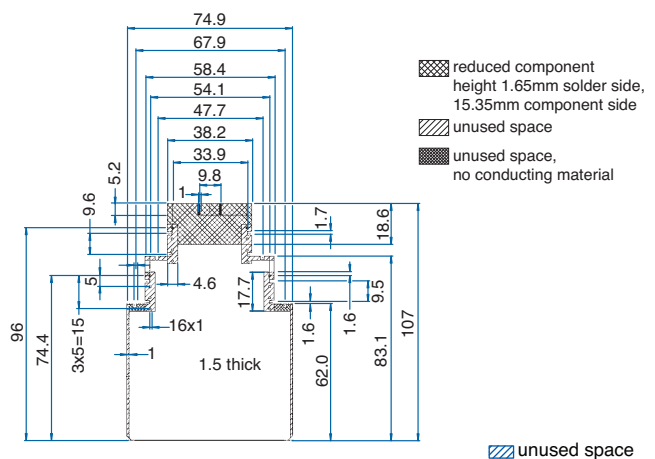
ACCESSORIES

| Accessories | Part Number | Type |
|------------------|-------------|-------------|
| 1 Meter DIN Rail | 2511120/1M | TS35x7.5/1M |

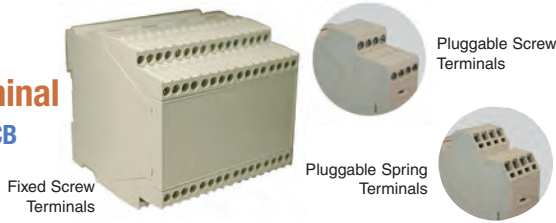
ENCLOSURE DRAWING (To convert to inches divide by 25.4.)



PCB DRAWING (To convert to inches divide by 25.4.)



64 Terminal Vertical PCB



TECHNICAL INFORMATION

Electrical: 16A, 300V, 22-12 AWG
Housing Material: Glass-filled Polycarbonate
Terminal Block Material: Glass-filled Polyamide
Temperature Range: Up to 115°C (239°F), Housing
 290°C (554°F), Terminals
Flammability Rating: UL94 V-O
Color: Light Gray

Terminal Type: Screw / Rising Clamp
Terminal Screw Size: M3.5
Recommended Torque: 0.8Nm
Max. PCB's: (8) Vertical
Mounting: 35mm DIN Rail

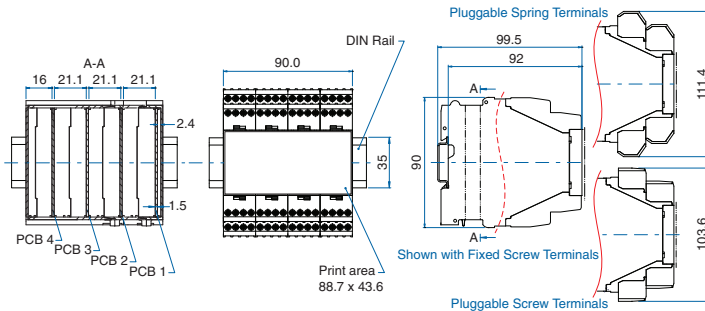
ORDERING INFORMATION

| Part Number | Type | Terminals | PCB Connection |
|-------------|-----------|------------------|----------------|
| 90.960 | KO4326 | Fixed Screw | Machine Solder |
| 90.963 | KO4326stS | Pluggable Screw | Machine Solder |
| 90.965 | KO4326stK | Pluggable Spring | Machine Solder |

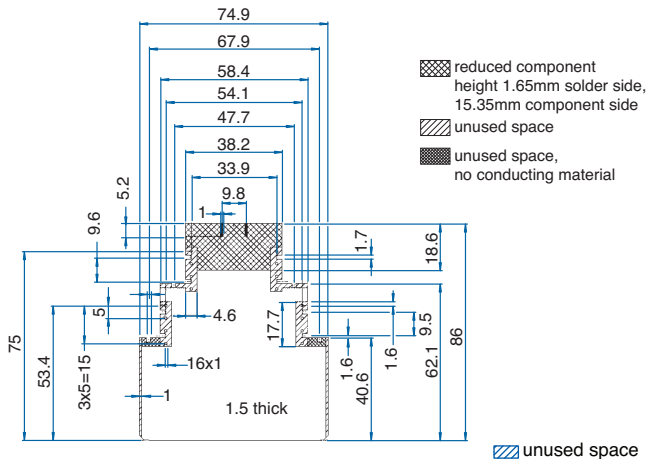
ACCESSORIES

| Accessories | Part Number | Type |
|------------------|-------------|-------------|
| 1 Meter DIN Rail | 2511120/1M | TS35x7.5/1M |

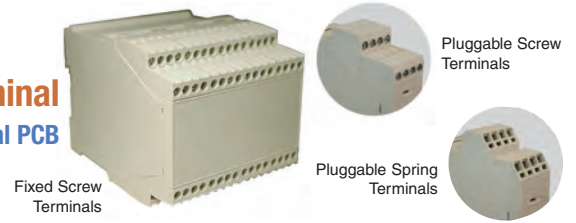
ENCLOSURE DRAWING (To convert to inches divide by 25.4.)



PCB DRAWING (To convert to inches divide by 25.4.)



64 Terminal Tall Vertical PCB



TECHNICAL INFORMATION

Electrical: 16A, 300V, 22-12 AWG
Housing Material: Glass-filled Polycarbonate
Terminal Block Material: Glass-filled Polyamide
Temperature Range: Up to 115°C (239°F), Housing
 290°C (554°F), Terminals
Flammability Rating: UL94 V-O
Color: Light Gray

Terminal Type: Screw / Rising Clamp
Terminal Screw Size: M3.5
Recommended Torque: 0.8Nm
Max. PCB's: (8) Vertical
Mounting: 35mm DIN Rail

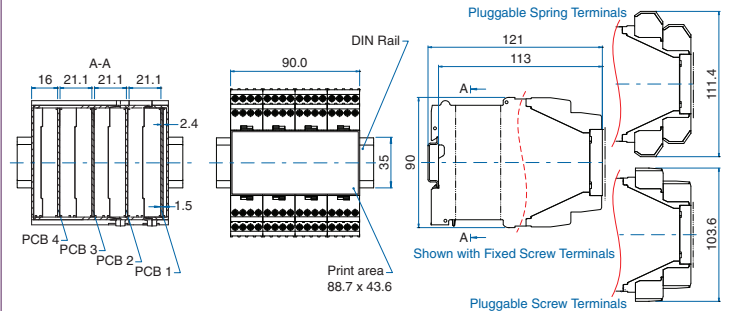
ORDERING INFORMATION

| Part Number | Type | Terminals | PCB Connection |
|-------------|-----------|------------------|----------------|
| 90.970 | KO4306 | Fixed Screw | Machine Solder |
| 90.973 | KO4306stS | Pluggable Screw | Machine Solder |
| 90.975 | KO4306stK | Pluggable Spring | Machine Solder |

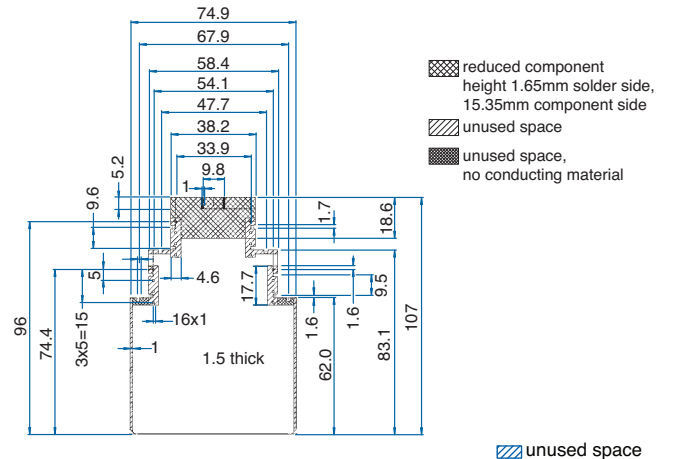
ACCESSORIES

| Accessories | Part Number | Type |
|------------------|-------------|-------------|
| 1 Meter DIN Rail | 2511120/1M | TS35x7.5/1M |

ENCLOSURE DRAWING (To convert to inches divide by 25.4.)



PCB DRAWING (To convert to inches divide by 25.4.)



KO4070 Series



TERMINALS

Box clamp design terminal blocks are used with the KO4070 series enclosures. Wire(s) to be terminated are squeezed between the bottom of the clamp and the busbar for reliable, gastight connections. The terminal blocks can be machine soldered to the board in the same step as the other components to save time and labor. Enclosures with extended length pins are available to increase enclosure cavity for large components. All terminals have funnel shaped wire openings to eliminate wire fraying. The terminal screws can be turned with a flat tip or a #1 or #2 Philips screwdriver.

MOUNTING

The KO4070 series have integral mounting feet that snap onto standard 35mm DIN rail. They cannot be panel mounted.

MARKING

Silk screen or attach label to the face of the enclosure.

Economical, compact KO4070 enclosures are supplied as easy to assemble kits. They are ideal for housing I/O circuits, relays, timers and other small devices. Each kit consists of two housing half shells and 4 to 16 machine solderable terminals with standard or extended length pins.

MATERIALS

Housing Shell: Polycarbonate, 10% Glass Filled

Terminal: Tinned Bronze

Terminal Screw: Chromated Steel

Temperature Rating:

125°C (257°F) UL94 VO

Standard Color: Light Gray

PROTECTION

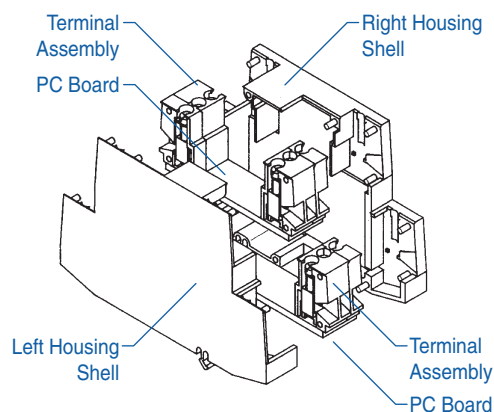
KO4070 enclosures have an IP20 rating (finger protected) and meet VBG4 and other European accident prevention requirements.

CONSTRUCTION

The KO4070 enclosures consist of two housing shells that snap together, and sectional, snap-together terminals. The maximum preassembled number of terminals are part of the enclosure kit. Potting is not recommended. Enclosures with removable center cover sections are available upon request.

BOARD PLACEMENT

Each enclosure can accept two boards, each up to 1.5mm (.0625 in.) thick, inserted vertically (parallel to the DIN rail) facing the terminals. These boards can be machine soldered to the terminals. Enclosure types KO4074 through KO4079, accept larger boards that can be screwed to the sidewalls of the housing shells (vertically, perpendicular to the DIN rail) using molded-in standoffs and 2 screws. Boards mounted on the sides can be 1mm (.04 in.) thick and require a wire jumper connection.



4 Terminal



TECHNICAL INFORMATION

Electrical:

16A, 300V, 22-12 AWG

Housing Material:

Glass-filled Polycarbonate

Temperature Range:

Up to 125°C (257°F)

Flammability Rating:

UL94 V-O

Color:

Light Gray

Terminal Type:

Box Clamp

Terminal Screw Size:

M3.5

Recommended Torque:

0.8Nm

PCB Locations:

(2) Vertical, Parallel

Mounting:

35mm DIN Rail

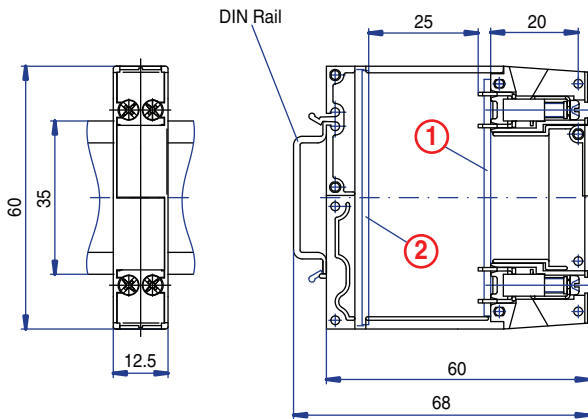
ORDERING INFORMATION

| Part Number | Type | Description | PCB Connection |
|-------------|--------|----------------------|----------------|
| 91.001 | KO4071 | Standard Length Pins | Solder Pins |

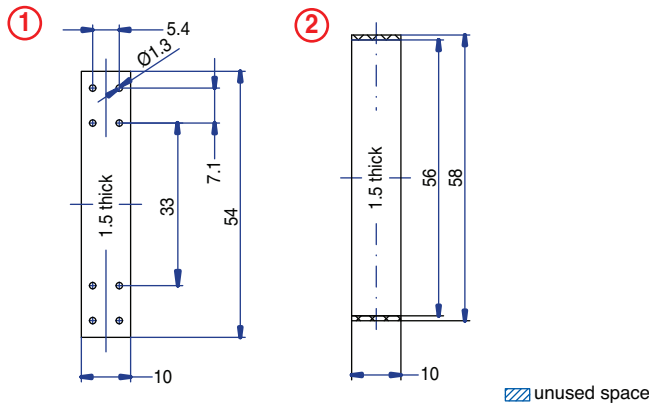
ACCESSORIES

| Accessories | Part Number | Type |
|------------------|-------------|-------------|
| 1 Meter DIN Rail | 2511120/1M | TS35x7.5/1M |

ENCLOSURE DRAWING (To convert to inches divide by 25.4.)



PCB DRAWING (To convert to inches divide by 25.4.)



6 Terminal



TECHNICAL INFORMATION

Electrical:

16A, 300V, 22-12 AWG

Housing Material:

Glass-filled Polycarbonate

Temperature Range:

Up to 125°C (257°F)

Flammability Rating:

UL94 V-O

Color:

Light Gray

Terminal Type:

Box Clamp

Terminal Screw Size:

M3.5

Recommended Torque:

0.8Nm

PCB Locations:

(2) Vertical, Parallel

Mounting:

35mm DIN Rail

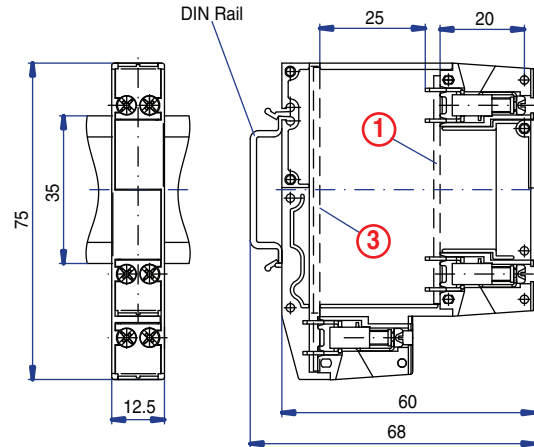
ORDERING INFORMATION

| Part Number | Type | Description | PCB Connection |
|-------------|--------|----------------------|----------------|
| 91.010 | KO4072 | Standard Length Pins | Solder Pins |

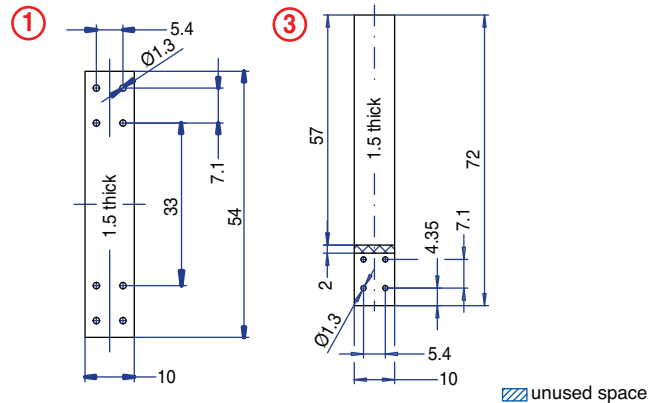
ACCESSORIES

| Accessories | Part Number | Type |
|------------------|-------------|-------------|
| 1 Meter DIN Rail | 2511120/1M | TS35x7.5/1M |

ENCLOSURE DRAWING (To convert to inches divide by 25.4.)



PCB DRAWING (To convert to inches divide by 25.4.)



6 Terminal



TECHNICAL INFORMATION

Electrical:
16A, 300V, 22-12 AWG

Housing Material:
Glass-filled Polycarbonate

Temperature Range:
Up to 125°C (257°F)

Flammability Rating:
UL94 V-O

Color:
Light Gray

Terminal Type:
Box Clamp

Terminal Screw Size:
M3.5

Recommended Torque:
0.8Nm

PCB Locations:
(1) Vertical, Perpendicular
(2) Vertical, Parallel

Mounting:
35mm DIN Rail

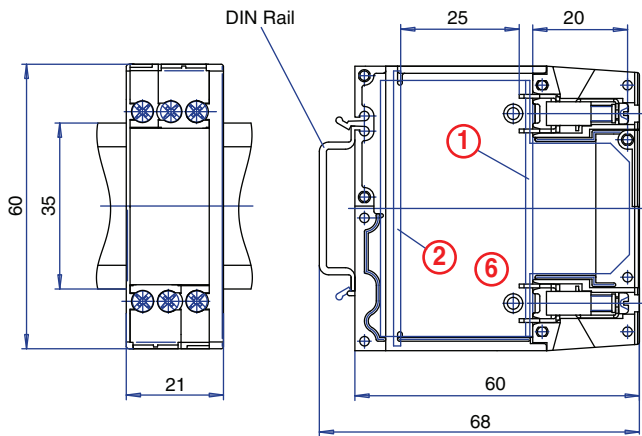
ORDERING INFORMATION

| Part Number | Type | Description | PCB Connection |
|-------------|--------|----------------------|----------------|
| 91.020 | KO4074 | Standard Length Pins | Solder Pins |

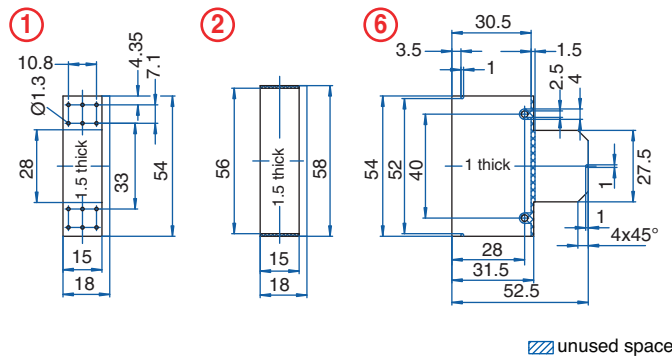
ACCESSORIES

| Accessories | Part Number | Type |
|------------------|-------------|-------------|
| 1 Meter DIN Rail | 2511120/1M | TS35x7.5/1M |

ENCLOSURE DRAWING (To convert to inches divide by 25.4.)



PCB DRAWING (To convert to inches divide by 25.4.)



8 Terminal



TECHNICAL INFORMATION

Electrical:
16A, 300V, 22-12 AWG

Housing Material:
Glass-filled Polycarbonate

Temperature Range:
Up to 125°C (257°F)

Flammability Rating:
UL94 V-O

Color:
Light Gray

Terminal Type:
Box Clamp

Terminal Screw Size:
M3.5

Recommended Torque:
0.8Nm

PCB Locations:
(2) Vertical, Parallel

Mounting:
35mm DIN Rail

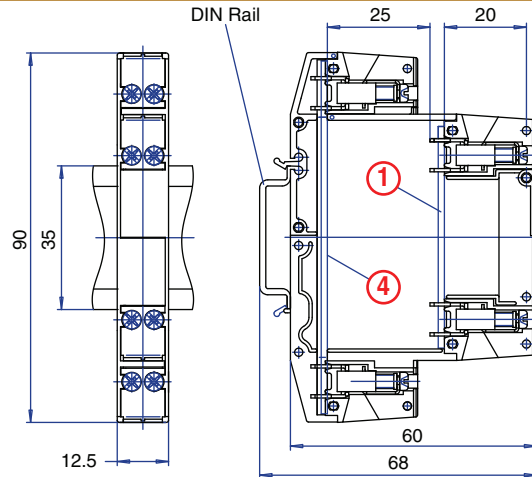
ORDERING INFORMATION

| Part Number | Type | Description | PCB Connection |
|-------------|--------|----------------------|----------------|
| 91.030 | KO4073 | Standard Length Pins | Solder Pins |

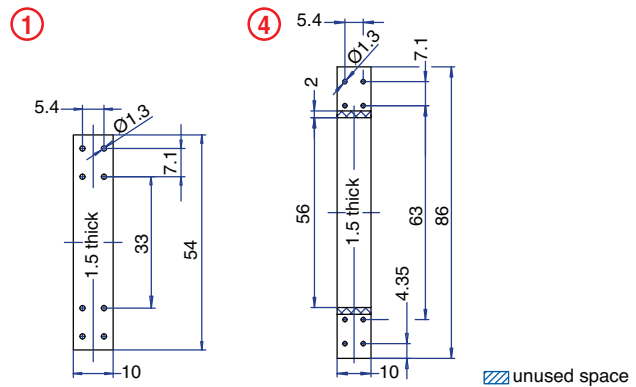
ACCESSORIES

| Accessories | Part Number | Type |
|------------------|-------------|-------------|
| 1 Meter DIN Rail | 2511120/1M | TS35x7.5/1M |

ENCLOSURE DRAWING (To convert to inches divide by 25.4.)



PCB DRAWING (To convert to inches divide by 25.4.)



8 Terminal



TECHNICAL INFORMATION

Electrical:
16A, 300V, 22-12 AWG

Housing Material:
Glass-filled Polycarbonate

Temperature Range:
Up to 125°C (257°F)

Flammability Rating:
UL94 V-O

Color:
Light Gray

Terminal Type:
Box Clamp

Terminal Screw Size:
M3.5

Recommended Torque:
0.8Nm

PCB Locations:
(2) Vertical, Perpendicular
(2) Vertical, Parallel

Mounting:
35mm DIN Rail

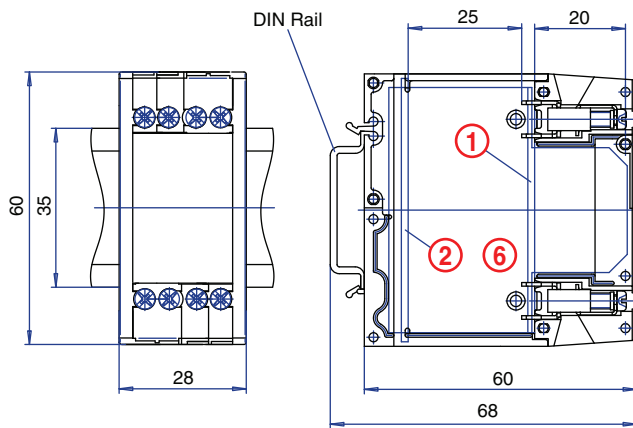
ORDERING INFORMATION

| Part Number | Type | Description | PCB Connection |
|-------------|--------|----------------------|----------------|
| 91.040 | KO4077 | Standard Length Pins | Solder Pins |

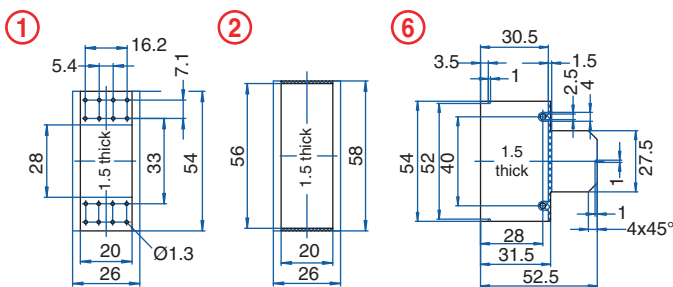
ACCESSORIES

| Accessories | Part Number | Type |
|------------------|-------------|-------------|
| 1 Meter DIN Rail | 2511120/1M | TS35x7.5/1M |

ENCLOSURE DRAWING (To convert to inches divide by 25.4.)



PCB DRAWING (To convert to inches divide by 25.4.)



▨ unused space

9 Terminal



TECHNICAL INFORMATION

Electrical:
16A, 300V, 22-12 AWG

Housing Material:
Glass-filled Polycarbonate

Temperature Range:
Up to 125°C (257°F)

Flammability Rating:
UL94 V-O

Color:
Light Gray

Terminal Type:
Box Clamp

Terminal Screw Size:
M3.5

Recommended Torque:
0.8Nm

PCB Locations:
(1) Vertical, Perpendicular
(2) Vertical, Parallel

Mounting:
35mm DIN Rail

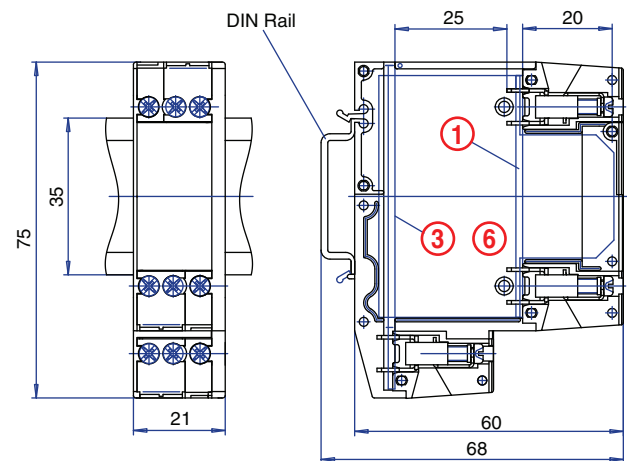
ORDERING INFORMATION

| Part Number | Type | Description | PCB Connection |
|-------------|--------|----------------------|----------------|
| 91.050 | KO4075 | Standard Length Pins | Solder Pins |

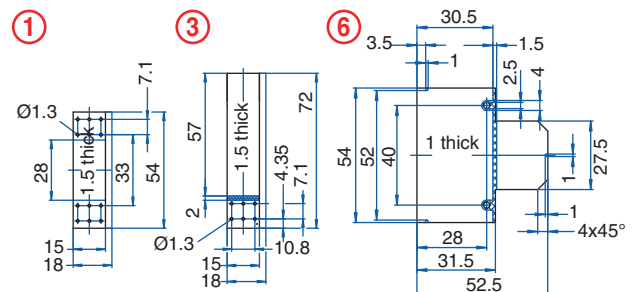
ACCESSORIES

| Accessories | Part Number | Type |
|------------------|-------------|-------------|
| 1 Meter DIN Rail | 2511120/1M | TS35x7.5/1M |

ENCLOSURE DRAWING (To convert to inches divide by 25.4.)



PCB DRAWING (To convert to inches divide by 25.4.)



▨ unused space

12 Terminal



TECHNICAL INFORMATION

Electrical:
16A, 300V, 22-12 AWG

Housing Material:
Glass-filled Polycarbonate

Temperature Range:
Up to 125°C (257°F)

Flammability Rating:
UL94 V-O

Color:
Light Gray

Terminal Type:
Box Clamp

Terminal Screw Size:
M3.5

Recommended Torque:
0.8Nm

PCB Locations:
(1) Vertical, Perpendicular
(2) Vertical, Parallel

Mounting:
35mm DIN Rail

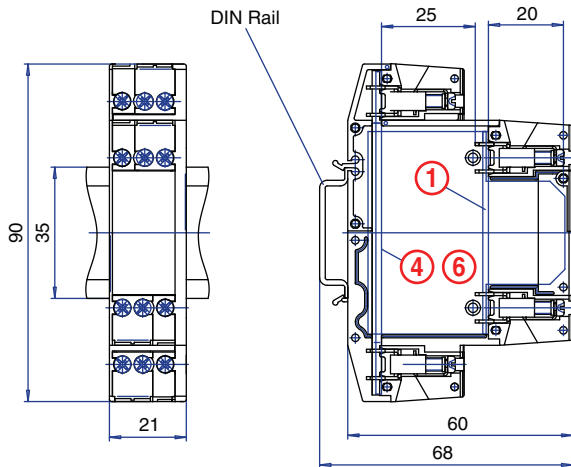
ORDERING INFORMATION

| Part Number | Type | Description | PCB Connection |
|-------------|--------|----------------------|----------------|
| 91.060 | KO4076 | Standard Length Pins | Solder Pins |

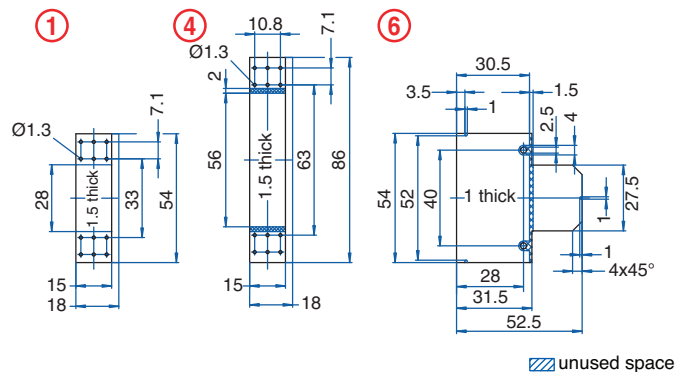
ACCESSORIES

| Accessories | Part Number | Type |
|------------------|-------------|-------------|
| 1 Meter DIN Rail | 2511120/1M | TS35x7.5/1M |

ENCLOSURE DRAWING (To convert to inches divide by 25.4.)



PCB DRAWING (To convert to inches divide by 25.4.)



12 Terminal



TECHNICAL INFORMATION

Electrical:
16A, 300V, 22-12 AWG

Housing Material:
Glass-filled Polycarbonate

Temperature Range:
Up to 125°C (257°F)

Flammability Rating:
UL94 V-O

Color:
Light Gray

Terminal Type:
Box Clamp

Terminal Screw Size:
M3.5

Recommended Torque:
0.8Nm

PCB Locations:
(2) Vertical, Perpendicular
(2) Vertical, Parallel

Mounting:
35mm DIN Rail

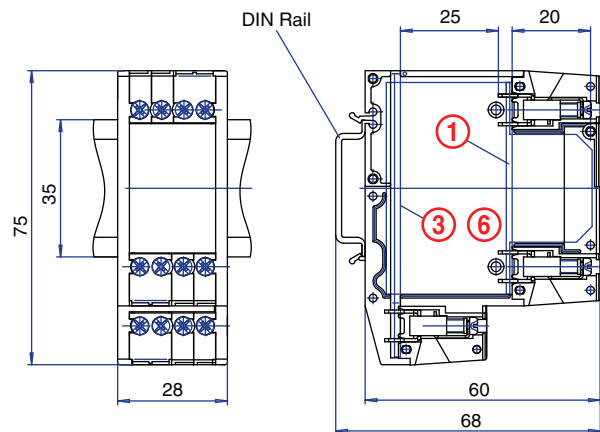
ORDERING INFORMATION

| Part Number | Type | Description | PCB Connection |
|-------------|--------|----------------------|----------------|
| 91.070 | KO4078 | Standard Length Pins | Solder Pins |

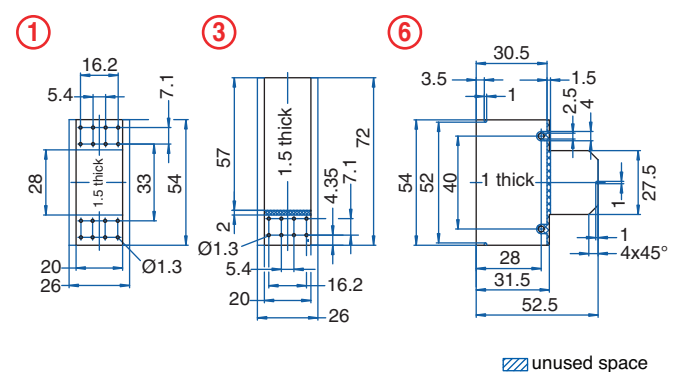
ACCESSORIES

| Accessories | Part Number | Type |
|------------------|-------------|-------------|
| 1 Meter DIN Rail | 2511120/1M | TS35x7.5/1M |

ENCLOSURE DRAWING (To convert to inches divide by 25.4.)



PCB DRAWING (To convert to inches divide by 25.4.)



16 Terminal



TECHNICAL INFORMATION

| | |
|--|--|
| Electrical: 16A, 300V, 22-12 AWG | Terminal Type: Box Clamp |
| Housing Material: Glass-filled Polycarbonate | Terminal Screw Size: M3.5 |
| Temperature Range: Up to 125°C (257°F) | Recommended Torque: 0.8Nm |
| Flammability Rating: UL94 V-0 | PCB Locations: (2) Vertical, Perpendicular (2) Vertical, Parallel |
| Color: Light Gray | Mounting: 35mm DIN Rail |

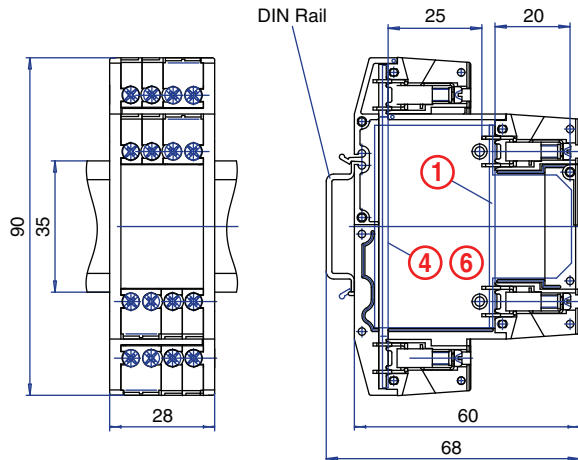
ORDERING INFORMATION

| Part Number | Type | Description | PCB Connection |
|-------------|--------|----------------------|----------------|
| 91.080 | KO4079 | Standard Length Pins | Solder Pins |

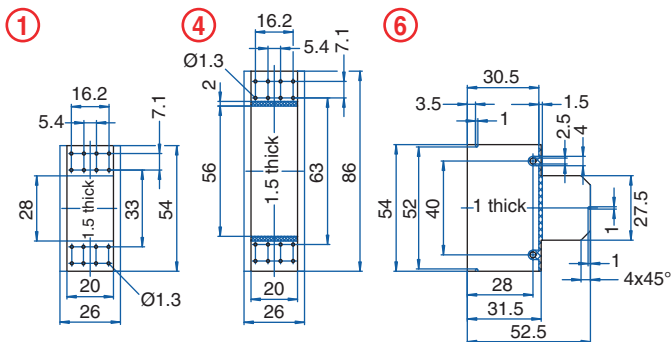
ACCESSORIES

| Accessories | Part Number | Type |
|------------------|-------------|-------------|
| 1 Meter DIN Rail | 2511120/1M | TS35x7.5/1M |

ENCLOSURE DRAWING (To convert to inches divide by 25.4.)



PCB DRAWING (To convert to inches divide by 25.4.)



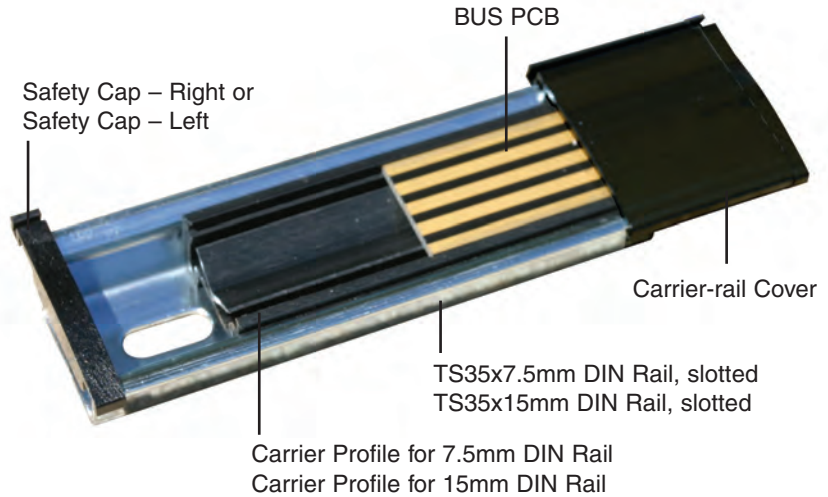
unused space

In-Rail Bus System

The In-Rail Bus System is an extremely flexible bus system suitable for data transmission and power supply. The principle is a printed circuit board with 5 bus lines that is installed into a DIN rail. This bus system can carry 5A per trace with a voltage of up to 63V. Spring contact blocks can be installed in almost any DIN enclosure for connection to the bus system. Contact security is ensured due to the high spring force of the gold plated, double contact springs.

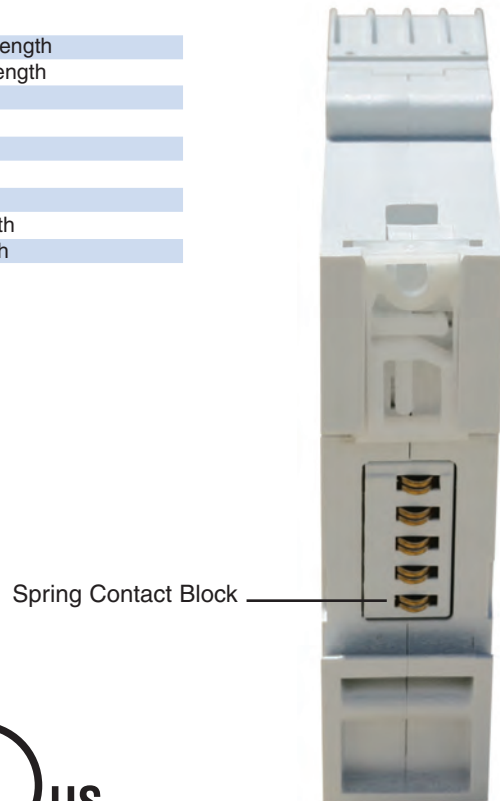
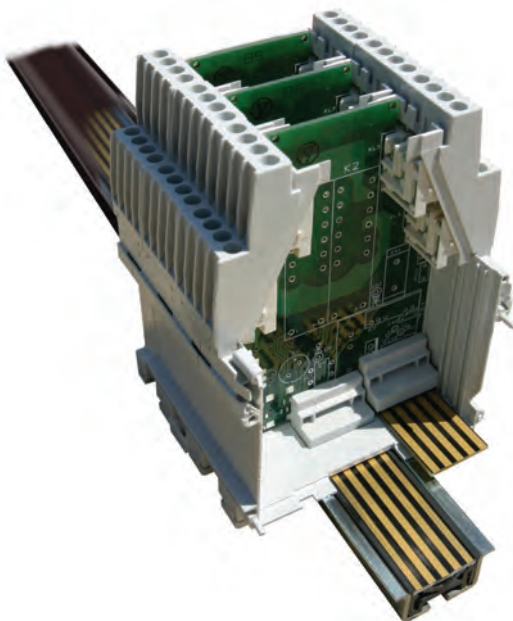
Features:

- Universal Bus system useable with most DIN enclosure types*
- 5 Bus lines per Bus PCB
- 5A per bus, 25A max per PCB rail
- Quick and easy mounting in the DIN rail
- Gold plated contact surfaces
- Contact block springs with double contacts
- High spring force on the contact springs
- Max temperature 70°C
- Can be used for internal busing
- Standard DIN profiles, 7.5mm and 15mm
- UL approval
- 250 mm piece components can be supplied in lengths up to 1 meter



Ordering Information

| Part Number | Description |
|--------------|---|
| 91.905/250mm | Carrier Profile for 7.5mm DIN Rail, 250 mm length |
| 91.915/250mm | Carrier Profile for 15mm DIN Rail, 250 mm length |
| 91.925/250mm | BUS PCB, 250 mm length |
| 91.935/250mm | Carrier-rail Cover, 250 mm length |
| 91.945 | Safety Cap - Right |
| 91.946 | Safety Cap - Left |
| 91.955 | Spring Contact Block |
| 2511120/1M | TS35x7.5mm DIN Rail, slotted, 1 meter length |
| CA701-15/S | TS35x15mm DIN Rail, slotted, 1 meter length |



* Hole must be milled in enclosure base to accept spring contact block.

| Part No. | Page | Part No. | Page | Part No..... | PagePart | No. | Page |
|---------------|-------|---------------|-------|---------------|----------|-------------------|----------|
| 90.900 | 86 | 90.162..... | 9 | 90.803 | 33-39 | 91.330 | 68 |
| 90.903..... | 86 | 90.170..... | 10 | 90.804 | 33-39 | 91.340 | 70 |
| 90.905..... | 86 | 90.171..... | 10 | 90.807 | 33-39 | 91.345 | 71 |
| 90.910..... | 86 | 90.172..... | 10 | 90.808 | 34-37 | 91.360 | 70 |
| 90.913..... | 86 | 90.180..... | 11 | 90.810..... | 33 | 91.365 | 71 |
| 90.915..... | 86 | 90.181..... | 11 | 90.810.1..... | 33 | 91.380 | 72 |
| 90.920..... | 87 | 90.182..... | 11 | 90.810.2..... | 33 | 91.400..... | 72 |
| 90.923..... | 87 | 90.190..... | 5-11 | 90.810.3..... | 33 | 91.420..... | 57 |
| 90.925..... | 87 | 90.191..... | 5-11 | 90.810.4..... | 33 | 91.440..... | 57 |
| 90.930..... | 87 | 90.192..... | 5-11 | 90.810.5..... | 33 | 91.443..... | 58 |
| 90.933..... | 87 | 90.201..... | 15 | 90.815..... | 32 | 91.501..... | 51 |
| 90.935..... | 87 | 90.201.1..... | 15 | 90.820..... | 35 | 91.502..... | 51 |
| 90.940..... | 88 | 90.201.2..... | 15 | 90.820.1..... | 35 | 91.503..... | 52 |
| 90.943..... | 88 | 90.202..... | 15 | 90.820.2..... | 34-35 | 91.520..... | 55 |
| 90.945..... | 88 | 90.202.1..... | 15 | 90.820.3..... | 34-35 | 91.540..... | 55 |
| 90.950..... | 88 | 90.202.2..... | 15 | 90.820.4..... | 34-35 | 91.543..... | 56 |
| 90.953..... | 88 | 90.215..... | 16 | 90.820.5..... | 34-35 | 91.560..... | 61 |
| 90.955..... | 88 | 90.230..... | 16 | 90.825..... | 34 | 91.570..... | 66 |
| 90.960..... | 89 | 90.290..... | 17 | 90.825.1..... | 34 | 91.580..... | 61 |
| 90.963..... | 89 | 90.291..... | 17 | 90.830..... | 36,38 | 91.583..... | 62 |
| 90.965..... | 89 | 90.292..... | 17 | 90.830.1..... | 38 | 91.590..... | 66 |
| 90.970..... | 89 | 90.300..... | 17 | 90.830.2..... | 38 | 91.600..... | 73 |
| 90.973..... | 89 | 90.301..... | 17 | 90.830.3..... | 38 | 91.610..... | 73 |
| 90.975..... | 89 | 90.302..... | 17 | 90.830.4..... | 38 | 91.710..... | 53 |
| 91.945..... | 96 | 90.320..... | 18 | 90.830.5..... | 38 | 91.720..... | 53 |
| 91.946..... | 96 | 90.321..... | 18 | 90.830.6..... | 36 | 91.730..... | 59 |
| 91.955..... | 96 | 90.322..... | 18 | 90.840..... | 39 | 91.740..... | 59 |
| 90.001..... | 42 | 90.350..... | 18 | 90.840.1..... | 39 | 91.750..... | 67 |
| 90.001.1..... | 42 | 90.351..... | 18 | 90.840.2..... | 39 | 91.760..... | 67 |
| 90.001.2..... | 42 | 90.352..... | 18 | 90.840.3..... | 39 | 91.800..... | 75 |
| 90.010..... | 42 | 90.380..... | 19 | 90.840.4..... | 39 | 91.801..... | 75 |
| 90.010.1..... | 43 | 90.381..... | 19 | 90.840.5..... | 39 | 91.801.1..... | 75-84 |
| 90.020..... | 43 | 90.382..... | 19 | 90.845..... | 37 | 91.802..... | 76 |
| 90.020.1..... | 43 | 90.410..... | 20 | 90.845.6..... | 37 | 91.803..... | 76 |
| 90.020.2..... | 43 | 90.411..... | 20 | 91.001..... | 91 | 91.810..... | 77 |
| 90.030..... | 43 | 90.412..... | 20 | 91.010..... | 91 | 91.811..... | 77 |
| 90.040..... | 44 | 90.440..... | 21 | 91.020..... | 92 | 91.812..... | 78 |
| 90.040.1..... | 44 | 90.441..... | 21 | 91.030..... | 92 | 91.813..... | 78 |
| 90.050..... | 44 | 90.442..... | 21 | 91.040..... | 93 | 91.820..... | 79 |
| 90.050.1..... | 44-45 | 90.470..... | 22 | 91.050..... | 93 | 91.821..... | 79 |
| 90.050.5..... | 45 | 90.471..... | 22 | 91.060..... | 94 | 91.822..... | 80 |
| 90.060..... | 45 | 90.472..... | 22 | 91.070..... | 94 | 91.830..... | 80 |
| 90.070..... | 46 | 90.500..... | 23 | 91.080..... | 95 | 91.831..... | 81 |
| 90.080..... | 46 | 90.501..... | 23 | 91.201..... | 50 | 91.832..... | 81 |
| 90.080.1..... | 46-47 | 90.502..... | 23 | 91.201.1..... | 50-72 | 91.840..... | 82 |
| 90.090..... | 47 | 90.530..... | 24 | 91.202..... | 50 | 91.841..... | 82 |
| 90.100..... | 47 | 90.531..... | 24 | 91.203..... | 52 | 91.842..... | 83 |
| 90.100.1..... | 47 | 90.532..... | 24 | 91.220..... | 54 | 91.850..... | 83 |
| 90.120..... | 5 | 90.560..... | 25 | 91.230..... | 63 | 91.851..... | 84 |
| 90.121..... | 5 | 90.590..... | 26 | 91.235..... | 64 | 91.852..... | 84 |
| 90.122..... | 5 | 90.591..... | 26 | 91.240..... | 54 | 91.905/250mm..... | 96 |
| 90.130..... | 6 | 90.592..... | 26 | 91.243..... | 56 | 91.915/250mm..... | 96 |
| 90.131..... | 6 | 90.620..... | 27 | 91.250..... | 63 | 91.925/250mm..... | 96 |
| 90.132..... | 6 | 90.621..... | 27 | 91.255..... | 64 | 91.935/250mm..... | 96 |
| 90.140..... | 7 | 90.622..... | 27 | 91.260..... | 60 | 93.001.2..... | 15,18-39 |
| 90.141..... | 7 | 90.680..... | 28 | 91.270..... | 65 | 93.001.5..... | 50-73 |
| 90.142..... | 7 | 90.681..... | 28 | 91.280..... | 60 | 2511120/1M..... | 5-95 |
| 90.150..... | 8 | 90.682..... | 28 | 91.283..... | 62 | CA701-15/S..... | 96 |
| 90.151..... | 8 | 90.710..... | 29 | 91.290..... | 65 | | |
| 90.152..... | 8 | 90.740..... | 30 | 91.300..... | 69 | | |
| 90.160..... | 9 | 90.770..... | 31 | 91.310..... | 68 | | |
| 90.161..... | 9 | 90.800..... | 33-39 | 91.320..... | 69 | | |

STANDARD TERMS AND CONDITIONS OF SALE

TITLE - Title to the products of ALTECH shall remain with ALTECH until payment is made in full by Customer. Such reservation of title is for the purpose of securing the purchase price and shall not relieve Customer of the duty to inspect the products upon receipt, to notify ALTECH of any deficiencies or defects, and to exercise due care in the use, installation, operation, and maintenance of the products when on the premise of the Customer or under the control of the Customer. Notwithstanding any reservation of title by ALTECH, risk of loss shall pass to customer at any time of shipment.

SHIPMENT AND DELIVERY - All orders for destination in the mainland United States (less Hawaii, Alaska and non-continental United States possessions) will be shipped F.O.B. Flemington, N.J. All destination, shipping and other charges shall be paid by the Customer in accordance with ALTECH's then current shipping and billing practices.

Delivery dates given in the acceptance of any order are approximate. ALTECH shall not be liable for delays in delivery or in performance due to causes beyond its reasonable control including acts of God, acts of Customer, acts of civil or military authority, fires, strikes or other labor disturbances, war, riot or delays in transportation. In the event of such delay, the date of delivery or performance shall be extended for a period equal to the time lost by reason of the delay.

PRICE - PRICES in any ALTECH publication are subject to change without prior notification. Catalog prices are based on prices published in the current price list. All written quotations are valid for thirty (30) days from the date of quotation. Customer shall pay all sales, use, excise or similar taxes whenever ALTECH must itself pay and/or collect such tax from Customer arising out of the sale.

PAYMENT - Customer agrees to make payment within thirty (30) days of date of the invoice from ALTECH. Customer agrees to pay a late payment charge of one and one-half percent (1.5% per month, or the maximum late payment charge permitted by applicable law, whichever is less, on any unpaid amount for each calendar month (or fraction thereof) that such payment is in default. Orders amounting to less than \$100.00 will be billed at \$100.00 plus freight. Full carton purchases are required. In the event of referral to an attorney for collection, reasonable attorney's fees for collection of the overdue amount shall be paid by Customer. In the event payment is not received within 30 days from the date of invoice, any discount shall be cancelled and the full list price will be due.

LIMITED WARRANTY - ALTECH warrants to Customer that the equipment purchases shall be free from defects in material and workmanship under normal use and service for a period of one year from shipment.

Written notice as an explanation of the circumstances of any claim that the equipment has proved defective in material or workmanship shall be given promptly by the Customer to ALTECH.

ALTECH will not be liable for any misuse, improper operations, improper installation, improper maintenance, alteration, modification, accident or unusual degradation of the equipment or parts due to an unsuitable installation environment.

No representation of other affirmation of facts, including but not limited to statements regarding capacity, suitability for use or performance of the equipment, shall be or be deemed to be a warranty or representation by ALTECH for any purpose, nor give rise to any liability or obligation of ALTECH whatsoever.

Customer's sole and exclusive remedy in the event of breach of warranty, as set forth herein, is expressly limited to (1) the correction of the defect by adjustment, repair, modification, or replacement, or (2) issuance of a credit or refund of the purchase price for the defective equipment at ALTECH's election and sole expense.

EXCEPT AS SPECIFICALLY PROVIDED IN THIS AGREEMENT, THERE ARE NO OTHER WARRANTIES EXPRESSED OR IMPLIED INCLUDING BUT NOT LIMITED TO ANY IMPLIED WARRANTIES OR MERCHANTABILITY OR FITNESS FOR A PARTICULAR PURPOSE.

THIS WARRANTY EXTENDS ONLY TO THE CUSTOMER FROM ALTECH OR ITS AUTHORIZED DISTRIBUTOR.

LIMITATION OF LIABILITY - IN NO EVENT, SHALL ALTECH BE LIABLE FOR LOSS OF PROFITS, INDIRECT, SPECIAL, CONSEQUENTIAL OR OTHER SIMILAR DAMAGES ARISING OUT OF ANY BREACH OF THIS AGREEMENT OR OBLIGATIONS UNDER THE AGREEMENT.

ALTECH SHALL NOT BE LIABLE FOR ANY DAMAGES CAUSED BY DELAY IN SHIPMENT, INSTALLATION OR FURNISHING OF EQUIPMENT OR SERVICES UNDER THIS AGREEMENT.

No action arising out of any claimed breach of this Agreement may be brought by either party more than two (2) years after the cause of action has accrued.

PATENT INDEMNITY - ALTECH shall defend or settle any suit or proceeding brought against Customer based on a claim that any equipment made to ALTECH design and furnished hereunder constitutes an infringement of any existing United States patent, provided (ALTECH) is notified promptly in writing and is given complete authorization and information required for the defense, and ALTECH shall pay all damages and costs awarded against Customer, but shall not be responsible for any costs, expense or compromise incurred or made by Customer without ALTECH's prior written consent. If any equipment is in ALTECH's opinion likely to or does become the subject of a claim for patent infringement, ALTECH may at its option and expense procure for Customer the right to continue using the device, modify it to become non-infringing, but in the event ALTECH is not reasonably able to modify, substitute, or otherwise procure for Customer the right to continue using it, ALTECH will remove such equipment and refund to Customer the amount paid in excess of a reasonable rental for past use.

ALTECH shall not be liable for any infringement or claim based upon use of the equipment in combination with other equipment not supplied by ALTECH or with modifications made by Customer.

The foregoing states the entire liability of ALTECH to Customer arising from patent infringement.

SELLER'S REMEDIES - Should Customer fail to make any payment within ten (10) days of its due date, or fail to perform any other of the Customer's obligation hereunder upon thirty (30) days written notice, or should Customer be or become insolvent or be a party to any bankruptcy receivership proceeding prior to full payment of all amounts payable hereunder, ALTECH may: (a) with or without demand or notice to customer declare the entire amount unpaid immediately due and payable; (b) enter upon the premises where the equipment may be found and remove it (Customer shall assemble the equipment and make it available to ALTECH at a place reasonably convenient to both parties and shall permit and assist ALTECH in effecting the retaking and removal of the equipment); and (c) sell any or all the equipment as permitted under applicable law, applying the proceeds of the sale to payment of the expenses of retaking, repairing and selling the equipment, reasonable attorney fees and to the satisfaction of all indebtedness then due and unpaid under this Agreement. Any surplus shall be paid to Customer and any deficiency shall be paid to ALTECH by Customer.

The remedies provided herein shall be cumulative and in addition to all other remedies provided by law or equity or under the Uniform Commercial Code.

GOVERNING LAW - This agreement will be governed by the Laws of the State of New Jersey.

GENERAL - This Agreement shall only become effective and binding when either (a) it has been accepted and executed by an authorized representative of ALTECH, or (b) the equipment has been shipped to Customer, with or without acceptance in writing hereon. Notice of acceptance is hereby waived by Customer. Customer hereby acknowledges receipt of a true and complete copy hereof.

No addition to or modification of any of the Terms and Conditions of Sale as they appear herein shall be binding upon ALTECH unless signed in writing by duly authorized representative of ALTECH in Flemington, N.J.

Typographical and clerical errors in quotations, orders and acknowledgments are subject to correction.

This Agreement is not assignable without the prior written consent of ALTECH. Any attempt to assign any of the rights, duties or obligations of this Agreement without such consent is void.

If any provision or provisions of this Agreement shall be held to be invalid, illegal or unenforceable, the validity, legality and enforceability, of the remaining provisions shall not in any way be affected or impaired thereby.

ALTECH is not responsible for failure to fulfill its obligation under this Agreement due to causes beyond its control, or except as agreed herein.

THE CUSTOMER ACKNOWLEDGES THAT HE HAS READ THE AGREEMENT, UNDERSTANDS IT, AND AGREES TO BE BOUND BY ITS TERMS AND CONDITIONS. FURTHERMORE, THE CUSTOMER AGREES THAT IT IS THE COMPLETE AND EXCLUSIVE STATEMENT OF THE AGREEMENT BETWEEN THE PARTIES, WHICH SUPERSEDES ALL PROPOSALS OR PRIOR AGREEMENTS, ORAL OR WRITTEN, EXPRESSED OR IMPLIED, AND ALL OTHER COMMUNICATIONS BETWEEN THE PARTIES RELATING TO THE SUBJECT MATTER OF THIS AGREEMENT.

Here are other great catalogs available from Altech!

Circuit Protection Devices



Altech carries DIN Rail mounted UL508 Manual Motor Controllers/ Miniature Circuit Breakers, UL489 Miniature Circuit Breakers and UL1077 Supplementary Protectors. The UL489 versions are 17.5mm wide, thermal magnetic, 240V, 480Y/277V AC, 50/60Hz, 125 and 250 VDC models, with short circuit interrupt capacity of 10kA, a positive trip indicator, and are line/load reversible. The UL1077 versions are DIN rail mounted, 17.5mm wide, thermal magnetic, 480Y/277V AC, 50/60Hz, a short circuit withstand capacity 10kA, have a positive trip indicator.

Altech Corp.®
35 Royal Rd., Flemington, NJ 08822
908-806-9400
FAX 908-806-9490
www.altechcorp.com

Interface Modules and Power Supplies



Altech offers a wide range of DIN Rail or panel mount cable interface modules, relay interface modules, carrier modules, custom designed modules and industrial relays. Cable to connector models include: D-Sub connectors, ribbon cable connectors, and Dip socket connectors to terminals. Standard relay modules from 1 to 16 channels, and safety relay modules from 1 to 16 channels and up to 10 poles are included. The catalog also contains industrial and slimline relays and custom designed interface modules.

Altech Corp.®
35 Royal Rd., Flemington, NJ 08822
908-806-9400
FAX 908-806-9490
www.altechcorp.com

Contactors and More!



Altech's now carries contactors, mini contactors, definite purpose contactors & overload relays. The contactors come in 3 and 4 pole configurations at 9A to 800A. Available in Single Phase (115 -230V) and Three Phase (200 - 575V) AC and DC models. A large variety of coil voltages are supported and the accessories are auxiliary contacts and overload relays. The mini contactors come in screw clamp, fast-on, cage clamp and solder pin types.

Altech Corp.®
35 Royal Rd., Flemington, NJ 08822
908-806-9400
FAX 908-806-9490
www.altechcorp.com

Terminal Blocks



Altech offers a NEW Terminal Block catalog with the most competitively priced blocks in the industry. We feature screw and spring clamp models for DIN rail and panel mount applications. This advanced line of wire termination products will increase your design options and help to get the job done more efficiently. Our line of blocks include feed-through (single, double or triple level), distribution, ground, fuse, disconnect, thermocouple, surge suppressor and indicator. A wide variety of accessories, tools and ferrules are available.

Altech Corp.®
35 Royal Rd., Flemington, NJ 08822
908-806-9400
FAX 908-806-9490
www.altechcorp.com

Industrial Enclosures



Altech's expanded its line of TK Industrial Enclosures with metric knockouts and also added the versatile TG Enclosure series. Now our entire line of industrial enclosures is in metric. Metric knockouts align with international standards making selection easier and more universal. Plus the PG standard is still available. All of Altech's enclosures are internationally accepted and stand up to the harshest environments. They protect against dust, water and corrosion while enhancing the value of your product. Rated up to IP66 (NEMA type 4x), Altech enclosures are available in a wide range of sizes.

Altech Corp.®
35 Royal Rd., Flemington, NJ 08822
908-806-9400
FAX 908-806-9490
www.altechcorp.com

Liquid Tight Strain Reliefs



This 50-page catalog introduces Altech's full line of Liquid Tight Strain Reliefs (Cord Grips) which are used to seal cable entries, keep contaminant's from entering enclosures, provide strain relief and thus reduce stress on components and termination points inside enclosures. Functions include Straight-Through, Increased Strain Relief, Bend Protection, Pull/Bend Protection, Multi-conductor, Flat Cable, Atex and EMI/RFI. They can be used with almost any type of cable, cord or conductor - solid, stranded, flat, shielded, high temperature, etc.

Altech Corp.®
35 Royal Rd., Flemington, NJ 08822
908-806-9400
FAX 908-806-9490
www.altechcorp.com

DIN Rail Power Supplies



Altech DIN RAIL mountable power supplies have Universal AC input. They are suitable for industrial and automation applications.

- UL508 Listed
- Installed on DIN rail TS35/ 7.5 or 15
- Available from 30-960W
- Protections: Short circuit / Overload / Over-voltage / Over temperature
- Cooling by free air convection
- Worldwide approvals
- 3 year warranty
- NEW DC-UPS Solutions and Battery Chargers

Altech Corp.®
35 Royal Rd., Flemington, NJ 08822
908-806-9400
FAX 908-806-9490
www.altechcorp.com

Motor Disconnect Switches



Altech's line of Motor Disconnect Switches are UL 508 listed as Manual Motor Controllers for AC Motor Starting Across-the-line and AC General use. This new 24 page catalog includes the 3 different handle designs, which are all available in gray/black or yellow/red housings. Electrical ratings are 25-150A / 600V. The switches are non-fused DIN Rail mountable. Neat features include: snap-on auxiliary switches, door mounting kit and a retrofit 30A fuse holder. Also featured are Enclosed Motor Disconnect Switches & Fused (plastic only) versions (30A), available in plastic, aluminum, sheet metal or stainless steel.

Altech Corp.®
35 Royal Rd., Flemington, NJ 08822
908-806-9400 • FAX 908-806-9490
www.altechcorp.com

Altech Search

Google™



- Home
- Stock Check
- Distributors
- Information
- News
- Contact
- Rep/Dist/ Login
- Altech Mexico



WEB TOOLS

- Product Crossings
- Request for Quote
- Sample Request
- Catalog Request
- eBook Catalog

PRODUCT MENU

- Accessories
- Bernstein Line
- Circuit Protection / Control
- Connectors
- Enclosures
- European Spare Parts
- Digital Panel Meters
- Foot Switches
- Interface Modules
- Panel Accessories
- Power Supplies
- Power Semi-Conductors
- Programmable Controllers
- Push Buttons & Pilot Lights
- Relays
- Sensors
- Terminal Blocks
- Tower Lights
- Timers
- Wire & Cable Management
- Home

New Products and Promotions

Serving the Automation & Control Industry Since 1984

Circuit Protection

| | | | | |
|--|---|--|--|--|
|  Circuit Protection Devices |  Busbar and Power Distribution |  Contactors, Overload Relays, Manual Motor Starters |  Motor Disconnect Switches |  European Fuses |
|--|---|--|--|--|

Connectors

| | | | | |
|---|--|---|--|---|
|  Industrial Rectangular Connectors |  Pin & Sleeve Devices |  Receptacles |  Foot Switches |  Sensors |
|---|--|---|--|---|

Enclosures

| | | | | |
|---|--|---|--|---|
|  Industrial Enclosures |  DIN Enclosures |  Interface Modules |  Safety Relays |  Slimline Relays |
|---|--|---|--|---|

Power Supplies

| | | | |
|--|---|--|--|
|  Power Supplies |  22 & 30 mm Push Buttons |  DIN Rail |  Wire & Cable Management |
|--|---|--|--|

Terminal Blocks

| | | | | |
|--|---|---|--|---|
|  Din Rail Terminal Blocks |  Panel Mount Terminal Blocks |  Printed Circuit Board Terminal Blocks |  Eurostrips® |  Distribution Blocks |
|--|---|---|--|---|

Miscellaneous

| | | | | |
|--|---|---|---|--|
|  Ferrules |  Custom Assembly |  Marking & Engraving Systems |  Altech Smart Relay |  Tower Lights |
|--|---|---|---|--|



Компания «Life Electronics» занимается поставками электронных компонентов импортного и отечественного производства от производителей и со складов крупных дистрибьюторов Европы, Америки и Азии.

С конца 2013 года компания активно расширяет линейку поставок компонентов по направлению коаксиальный кабель, кварцевые генераторы и конденсаторы (керамические, пленочные, электролитические), за счёт заключения дистрибьюторских договоров

Мы предлагаем:

- Конкуренспособные цены и скидки постоянным клиентам.
- Специальные условия для постоянных клиентов.
- Подбор аналогов.
- Поставку компонентов в любых объемах, удовлетворяющих вашим потребностям.
- Приемлемые сроки поставки, возможна ускоренная поставка.
- Доставку товара в любую точку России и стран СНГ.
- Комплексную поставку.
- Работу по проектам и поставку образцов.
- Формирование склада под заказчика.
- Сертификаты соответствия на поставляемую продукцию (по желанию клиента).
- Тестирование поставляемой продукции.
- Поставку компонентов, требующих военную и космическую приемку.
- Входной контроль качества.
- Наличие сертификата ISO.

В составе нашей компании организован Конструкторский отдел, призванный помогать разработчикам, и инженерам.

Конструкторский отдел помогает осуществить:

- Регистрацию проекта у производителя компонентов.
- Техническую поддержку проекта.
- Защиту от снятия компонента с производства.
- Оценку стоимости проекта по компонентам.
- Изготовление тестовой платы монтаж и пусконаладочные работы.



Тел: +7 (812) 336 43 04 (многоканальный)

Email: org@lifeelectronics.ru