

THIS DRAWING IS UNPUBLISHED. RELEASED FOR PUBLICATION SEP ,2005. ALL RIGHTS RESERVED.

REVISIONS table with columns: P, LTR, DESCRIPTION, DATE, DWN, APVD. Row 1: R, REVISED PER ECR-11-006365, 28MAR2011, A.L, S.Y.

1 CONTACT COPLANALITY IS 0.1 MAX. THIS DIMENSION MEANS CENTER OF THE POCKET. M3 TAPPING + BVTP RECOMMENDED TORQUE: 68.6N (7Kgf) MAX. FINISH CONTACT: V μm MIN. Au PL. ON CONTACT AREA (V: SEE TABLE) 0.03~0.1 μm Au PL. ON TERMINAL AREA Ni UNDER PL. ALL OVER SHELL: Sn PL. (MATTE) ALL OVER Ni UNDER PL. ALL OVER SCREW SIZE QTY PRINT ON THE LABEL. (EMBOSS PACKING)

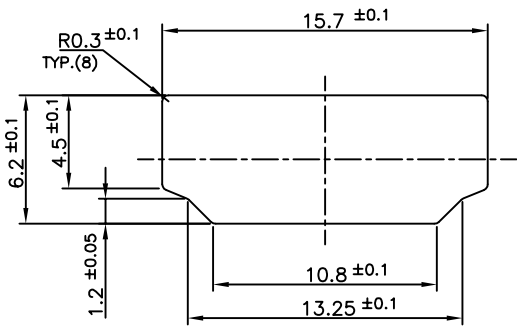
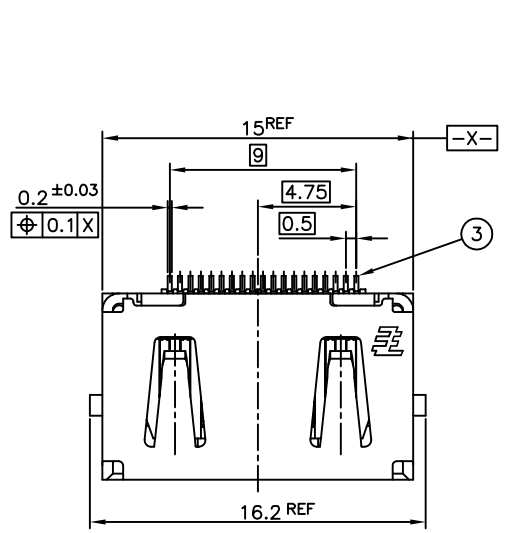
1 コンタクトコプラナリティーは 0.1 以下。本寸法はポケットの中心を表す。M3 TAPPING + BVTP 推奨トルク: 68.6N (7Kgf) 以下。仕上 コンタクト: コンタクトエリアに V μm 以上の 金めっき (V: 表参照) ターミナルエリアに 0.03~0.1 μm の金めっき ニッケル下地めっきを施す シェル: すずめっき (つや消し) ニッケル下地めっきを施す スクリューサイズ 数量はラベルに印字される (EMBOSS 梱包)

Main table with columns: Dimensions (0.3, 0.76, 0.3, 0.3, 0.1, 0.3, 0.3, 0.3, 0.3, 0.3, 0.76, 0.76, 0.76, 0.76, 0.76, 0.76, V, U, T), Dimensions (AA, S, R, P, N, M, L, K, J, H, G, F, E), MATERIAL (POLYIMIDE TAPE), FLANGE, SHELL TYPE, CONNECTOR, PACKING, PART NUMBER.

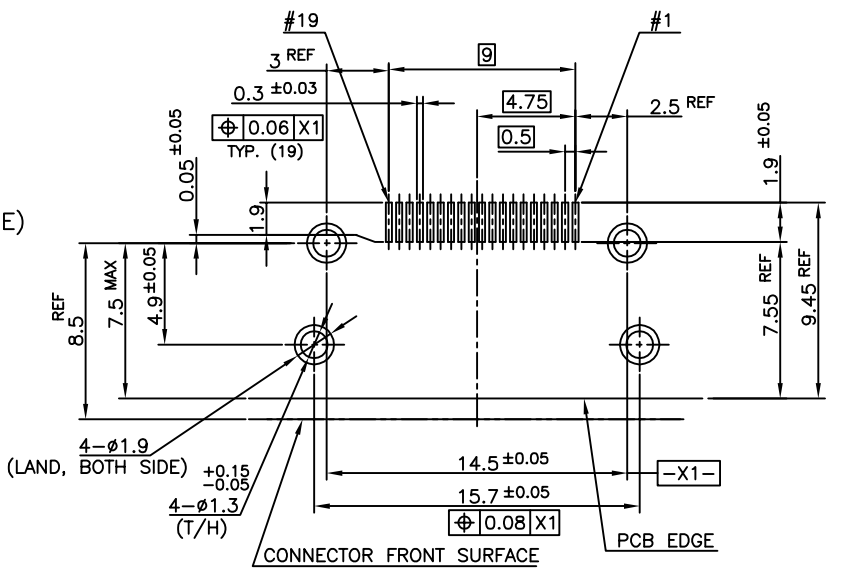
Au PL. SCREW SIZE QTY DIMENSION PART LIST

Controlled Document and Drawing Information section. Includes: THIS DRAWING IS A CONTROLLED DOCUMENT, DIMENSIONS: 単位: 話 mm, TOLERANCES UNLESS OTHERWISE SPECIFIED: 一般公差, MATERIAL 材料, FINISH 仕上, CUSTOMER DRAWING, DWN R.MURAYAMA 26SEP2005, CHK T.KIMURA 26SEP2005, APVD T.KIMURA 26SEP2005, PRODUCT SPEC 製品規格 108-78180-2, APPLICATION SPEC 取付適用規格, NAME 名称 HDMI 19 POS RECEPTACLE ASSY SMT SHORT TYPE, SIZE A3, CAGE CODE 00779, DRAWING NO 番号 C=1903015, RESTRICTED TO, SCALE 尺度 4:1, SHEET 1 of 12, REV R.

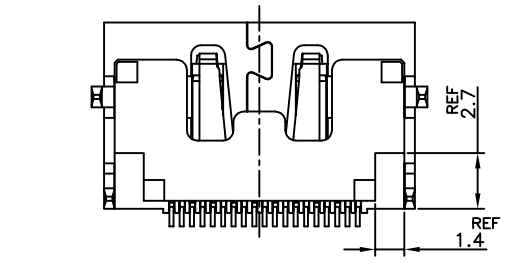
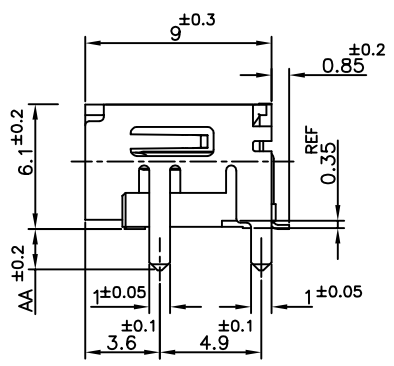
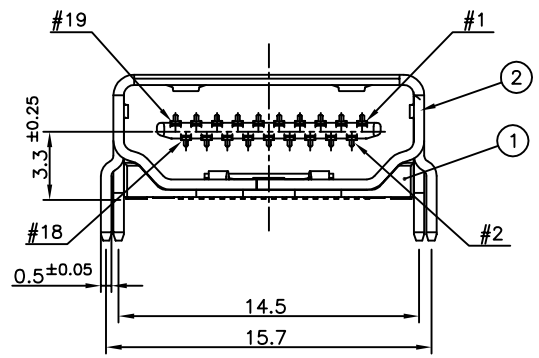
LOC	DIST	REVISIONS					
		P	LTR	DESCRIPTION	DATE	DWN	APVD
		-	-	SEE SHEET 1	-	-	-



PANEL CUT OUT DIMENSION (REFERENCE)



P.C.B LAYOUT (REFERENCE)
SHOWN AS CONNECTOR MOUNTING SIDE
TOLERANCE: NON-CUMULATIVE

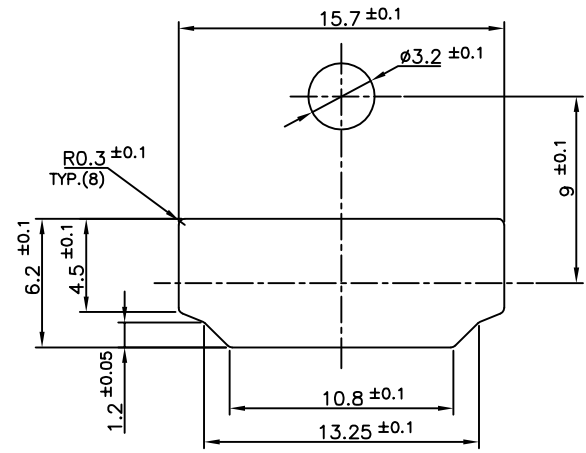
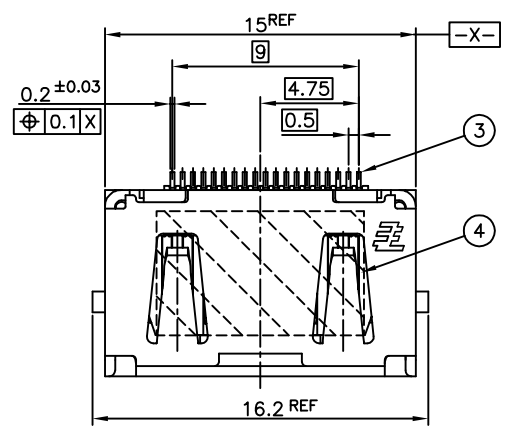


CONNECTOR: WITHOUT FLANGE THROUGH HOLE TYPE

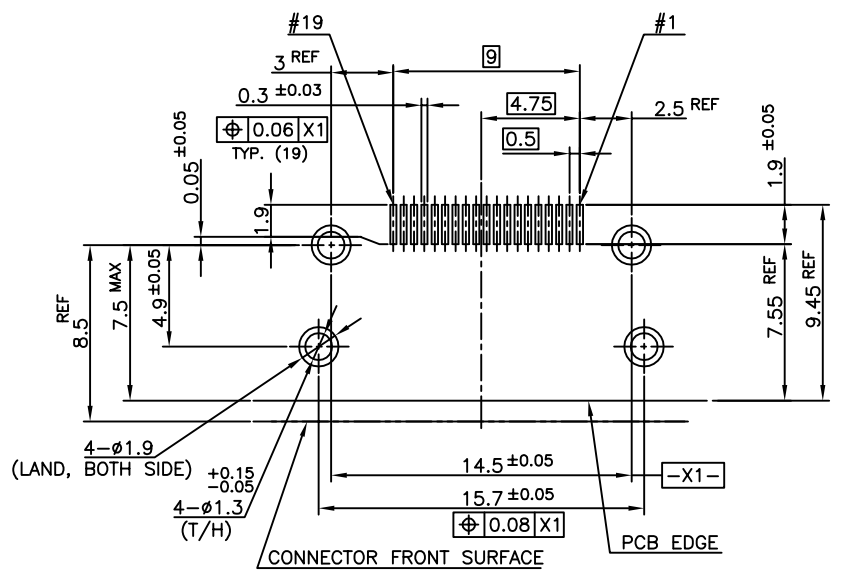
BRASS	CONTACT	③
PHOSPHOR BRONZE	SHELL	②
GLASS FILLED LCP UL94V-0, BLACK COLOR	HOUSING	①
MATERIAL	DESCRIPTION	ITEM

THIS DRAWING IS A CONTROLLED DOCUMENT.		DWN			
DIMENSIONS: 單位: 毫米 mm		CHK			
TOLERANCES UNLESS OTHERWISE SPECIFIED: 一般公差		APVD		NAME 名稱	
0 PLC ±		PRODUCT SPEC 製品規格		HDMI 19 POS RECEPTACLE ASSY SMT SHORT TYPE	
1 PLC ±		APPLICATION SPEC 取付適用規格		SIZE	
2 PLC ±		WEIGHT		CAGE CODE	
3 PLC ±		CUSTOMER DRAWING		DRAWING NO	
4 PLC ±		SCALE 尺度 4:1		SHEET 2 OF 12	
ANGLES ±		REV R		RESTRICTED TO	
FINISH 仕上		A3 00779		G=1903015	

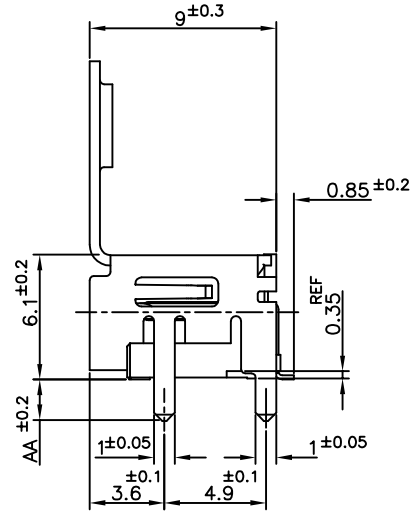
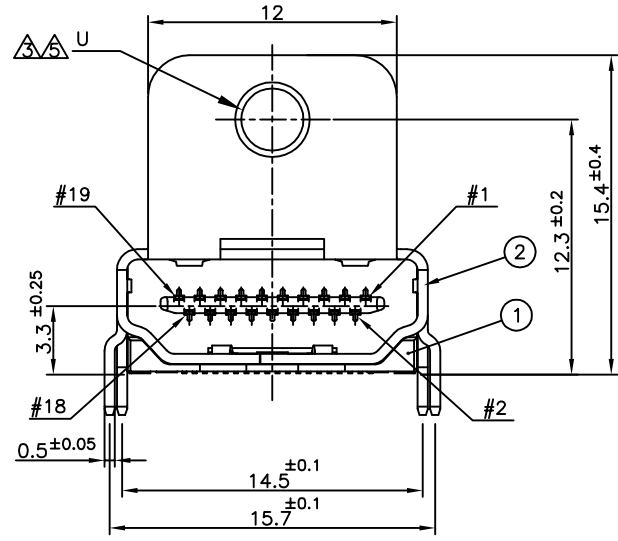
LOC	DIST	REVISIONS				
		P	LTR	DATE	DWN	APVD
		SEE SHEET 1				



PANEL CUT OUT DIMENSION (REFERENCE)

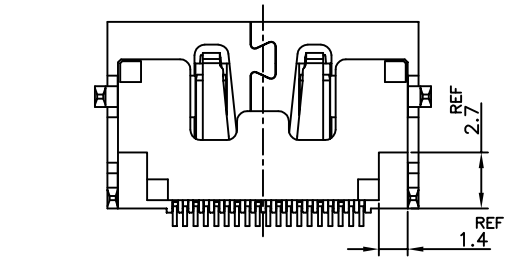


P.C.B LAYOUT (REFERENCE)
SHOWN AS CONNECTOR MOUNTING SIDE
TOLERANCE: NON-CUMULATIVE



CONNECTOR: WITH FLANGE THROUGH HOLE TYPE

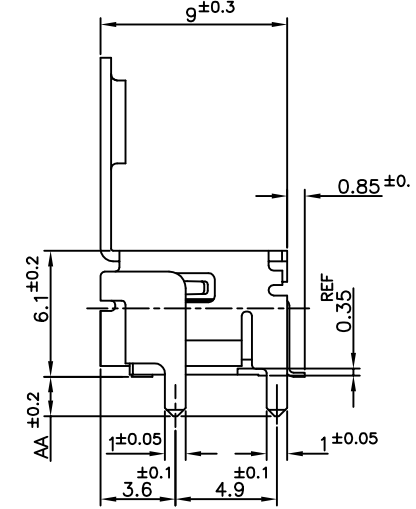
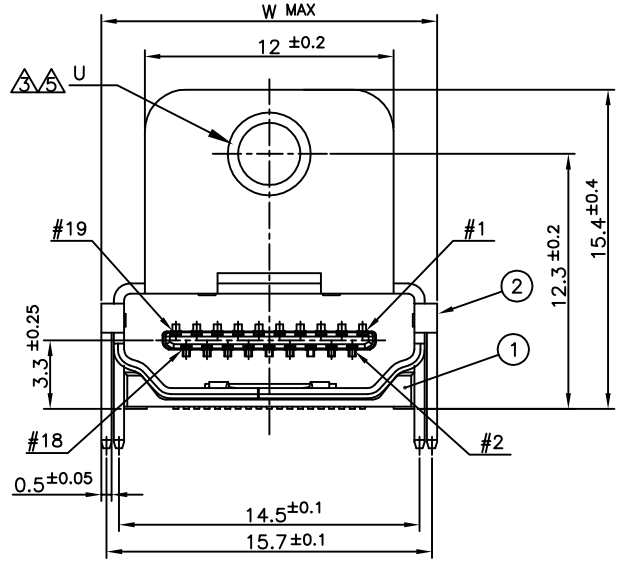
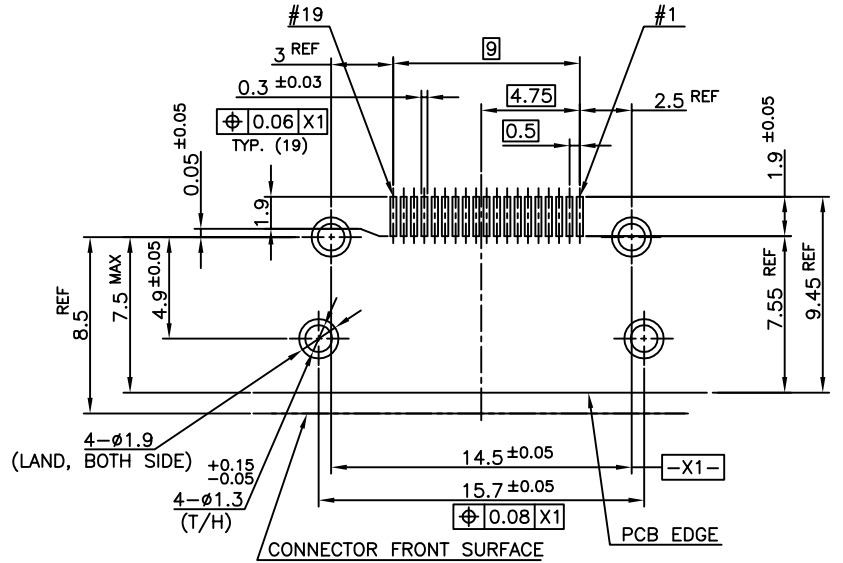
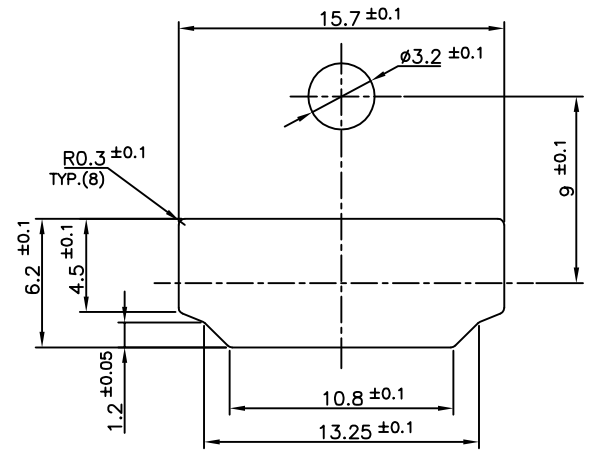
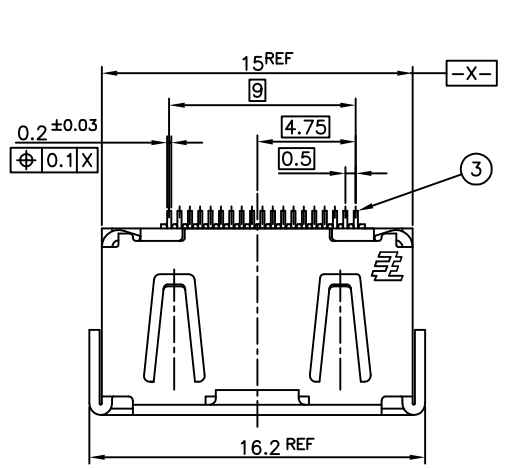
MATERIAL	DESCRIPTION	ITEM
POLYIMIDE	TAPE	(4)
BRASS	CONTACT	(3)
PHOSPHOR BRONZE	SHELL	(2)
GLASS FILLED LCP UL94V-0, BLACK COLOR	HOUSING	(1)



THIS DRAWING IS A CONTROLLED DOCUMENT.

DIMENSIONS: 單位: 毫米 mm	TOLERANCES UNLESS OTHERWISE SPECIFIED: 一般公差	DWN	TE Connectivity NAME 名稱 HDMI 19 POS RECEPTACLE ASSY SMT SHORT TYPE
0 PLC ± 1 PLC ± 2 PLC ± 3 PLC ± 4 PLC ± ANGLES ±	FINISH 仕上	CHK APVD PRODUCT SPEC 製品規格 APPLICATION SPEC 取付適用規格 WEIGHT	
MATERIAL 材料		CUSTOMER DRAWING	SCALE 尺度 4:1 SHEET 3 OF 12 REV R

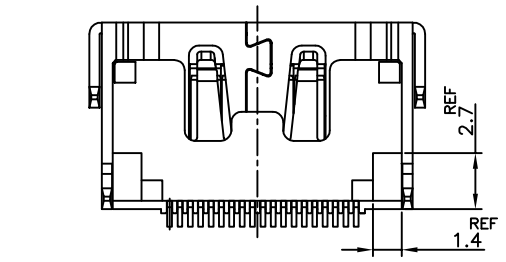
LOC	DIST	REVISIONS				
		P	LTR	DATE	DWN	APVD
		SEE SHEET 1				



P.C.B LAYOUT (REFERENCE)
SHOWN AS CONNECTOR MOUNTING SIDE
TOLERANCE: NON-CUMULATIVE

POLYIMIDE	TAPE	(4)
BRASS	CONTACT	(3)
PHOSPHOR BRONZE	SHELL	(2)
GLASS FILLED LCP UL94V-0, BLACK COLOR	HOUSING	(1)
MATERIAL	DESCRIPTION	ITEM

CONNECTOR: WITH FLANGE THROUGH HOLE TYPE



THIS DRAWING IS A CONTROLLED DOCUMENT.

DIMENSIONS: 單位: 毫米 mm	TOLERANCES UNLESS OTHERWISE SPECIFIED: 一般公差	DWN	TE Connectivity		
	0 PLC ±	CHK	NAME 名稱		
	1 PLC ±	APVD	HDMI 19 POS RECEPTACLE ASSY		
	2 PLC ±	PRODUCT SPEC 製品規格	SMT SHORT TYPE		
	3 PLC ±	APPLICATION SPEC 取付適用規格	SIZE CAGE CODE DRAWING NO A3 00779 C=1903015		
4 PLC ±	ANGLES ±	WEIGHT	RESTRICTED TO		
MATERIAL 材料	FINISH 仕上	CUSTOMER DRAWING	SCALE 尺度 4:1	SHEET 4 OF 12	REV R

THIS DRAWING IS UNPUBLISHED.

RELEASED FOR PUBLICATION

SEP ,2005.

LOC

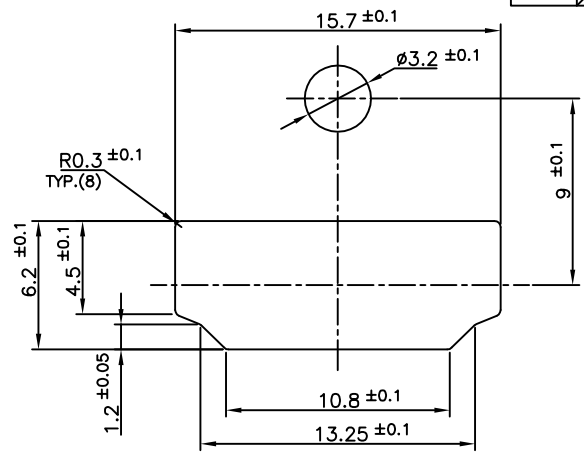
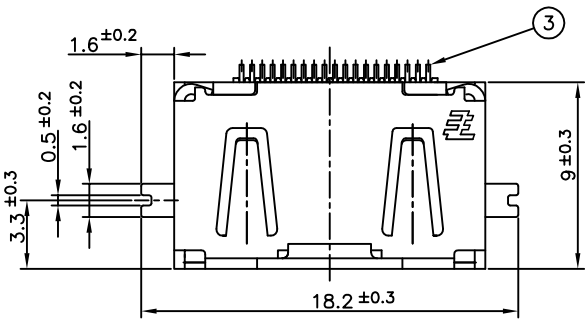
DIST

REVISIONS

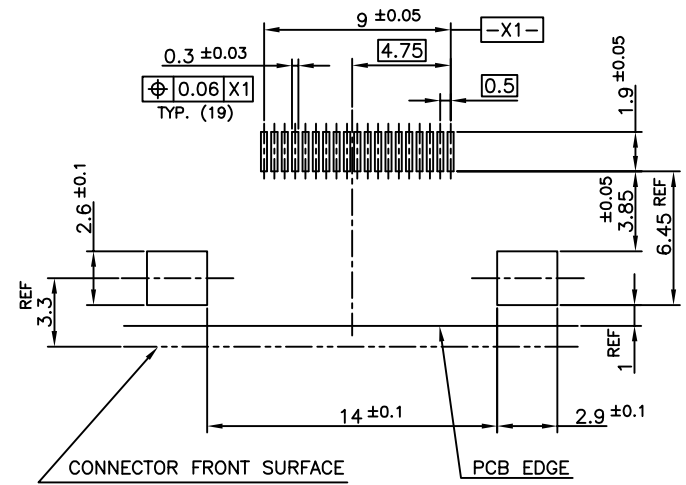
© COPYRIGHT 2005 By -

ALL RIGHTS RESERVED.

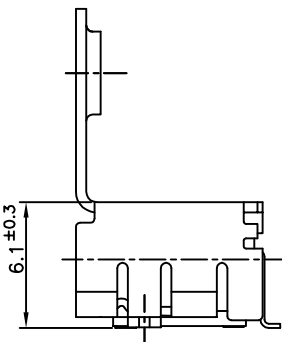
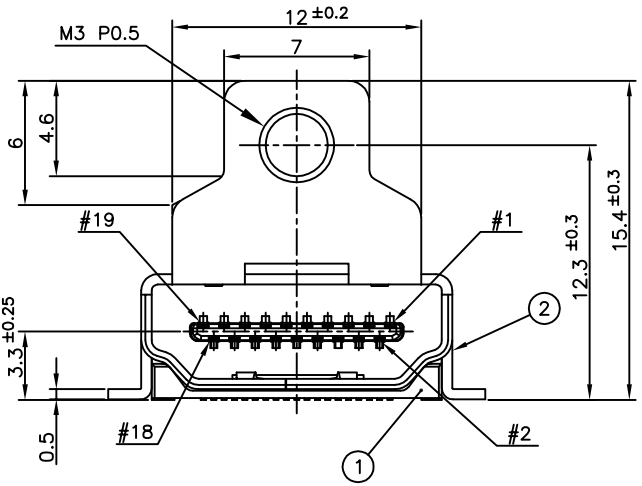
P	LTR	DESCRIPTION	DATE	DWN	APVD
-	-	SEE SHEET 1	-	-	-



PANEL CUT OUT DIMENSION (REFERENCE)

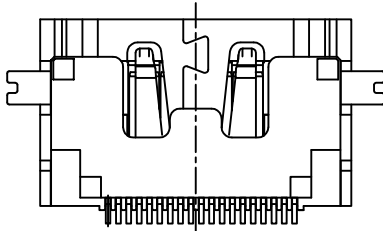


P.C.B LAYOUT (REFERENCE)
SHOWN AS CONNECTOR MOUNTING SIDE
TOLERANCE: NON-CUMULATIVE



CONNECTOR: WITH FLANGE FULL SMT TYPE

BRASS	CONTACT	③
PHOSPHOR BRONZE	SHELL	②
GLASS FILLED LCP UL94V-0, BLACK COLOR	HOUSING	①
MATERIAL	DESCRIPTION	ITEM



THIS DRAWING IS A CONTROLLED DOCUMENT.

DIMENSIONS: 單位: 毫米 mm	TOLERANCES UNLESS OTHERWISE SPECIFIED: 一般公差	DWN	CHK	APVD	NAME 名稱		
	0 PLC ±	PRODUCT SPEC 製品規格	TE Connectivity HDMI 19 POS RECEPTACLE ASSY SMT SHORT TYPE				
	1 PLC ±	APPLICATION SPEC 取付適用規格					
MATERIAL 材料	FINISH 仕上	WEIGHT	CUSTOMER DRAWING	SIZE A3	CAGE CODE 00779	DRAWING NO C=1903015	RESTRICTED TO
			SCALE 尺度 4:1	SHEET 5 of 12	REV R		

4

3

2

1

THIS DRAWING IS UNPUBLISHED.

RELEASED FOR PUBLICATION

SEP, 2005.

© COPYRIGHT 2005 By -

ALL RIGHTS RESERVED.

1903015-1, 2-1903015-2, 5-1903015-1
5-1903015-5, 7-1903015-1; AS SHOWN

LOC	DIST
-	-

REVISIONS

変更

DESCRIPTION

DATE

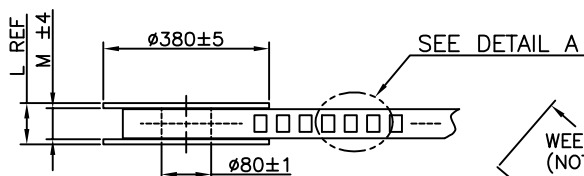
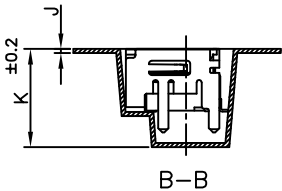
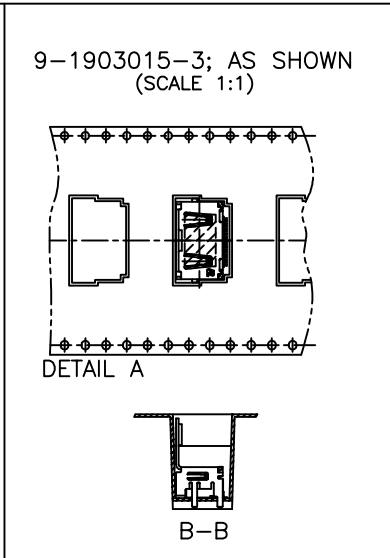
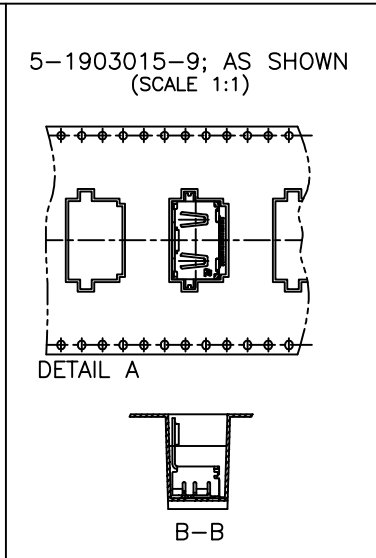
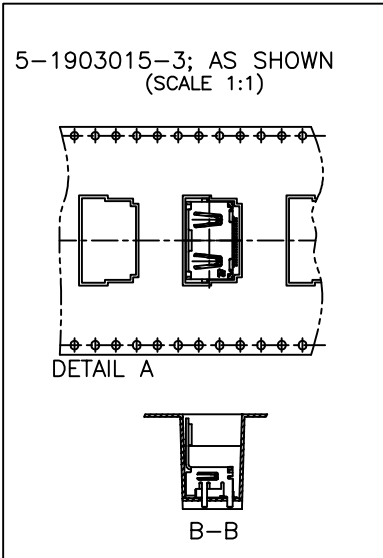
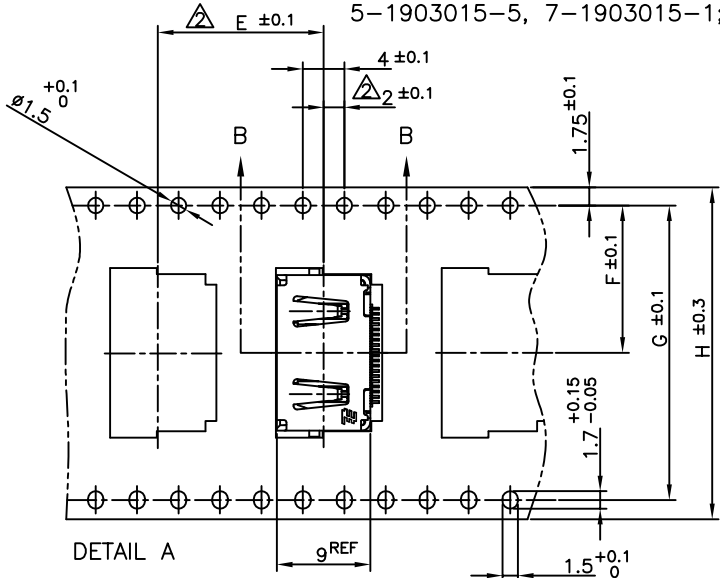
DWN

APVD

P

LTR

SEE SHEET 1

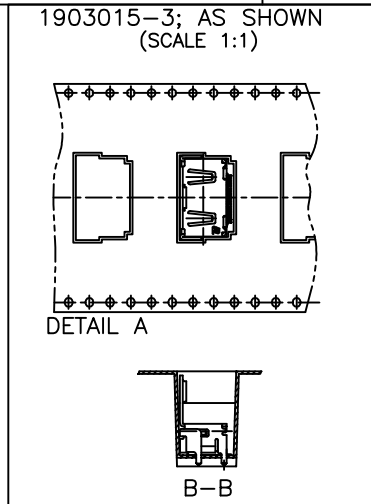


WEEDING THE COVER TAPE: 300 MIN (NOT INCLUDE EMPTINESS POCKET)

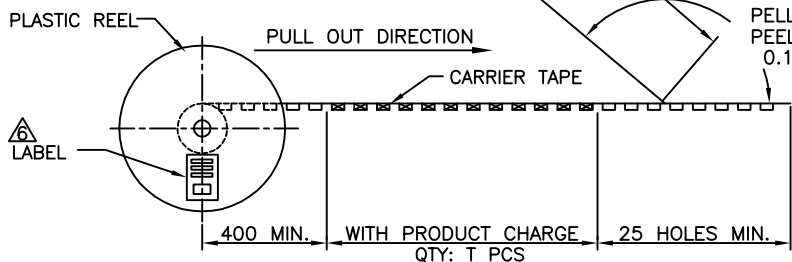
PELLING ANGLE: 165°~180°
PEELING STRENGTH: 0.1~0.7N (300mm/min.)

△ LABEL DESCRIPTION

TYCO P/N: *-1903015-*
QTY: * pcs
D/C: MADE IN CHINA



PET	COVER TAPE
PS	CARRIER TAPE
PLASTIC	REEL
MATERIAL	DESCRIPTION



THIS DRAWING IS A CONTROLLED DOCUMENT.

DIMENSIONS: 單位: 毫米 mm	TOLERANCES UNLESS OTHERWISE SPECIFIED: 一般公差	DWN	TE Connectivity	
0 PLC ±	1 PLC ±	CHK	NAME 名稱	
2 PLC ±	3 PLC ±	APVD	HDMI 19 POS RECEPTACLE ASSY SMT SHORT TYPE	
4 PLC ±	ANGLES ±	PRODUCT SPEC 製品規格	SIZE A3	CAGE CODE 00779
MATERIAL 材料	FINISH 仕上	APPLICATION SPEC 取付適用規格	DRAWING NO 番号 C=1903015	RESTRICTED TO
		WEIGHT	SCALE 尺度 4:1	
		CUSTOMER DRAWING	SHEET 6 OF 12	
			REV R	

THIS DRAWING IS UNPUBLISHED.

RELEASED FOR PUBLICATION

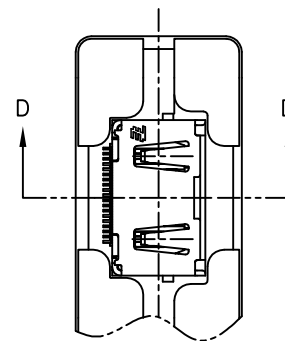
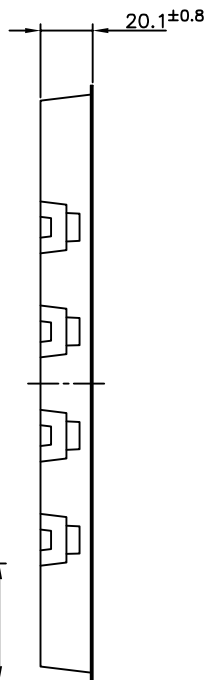
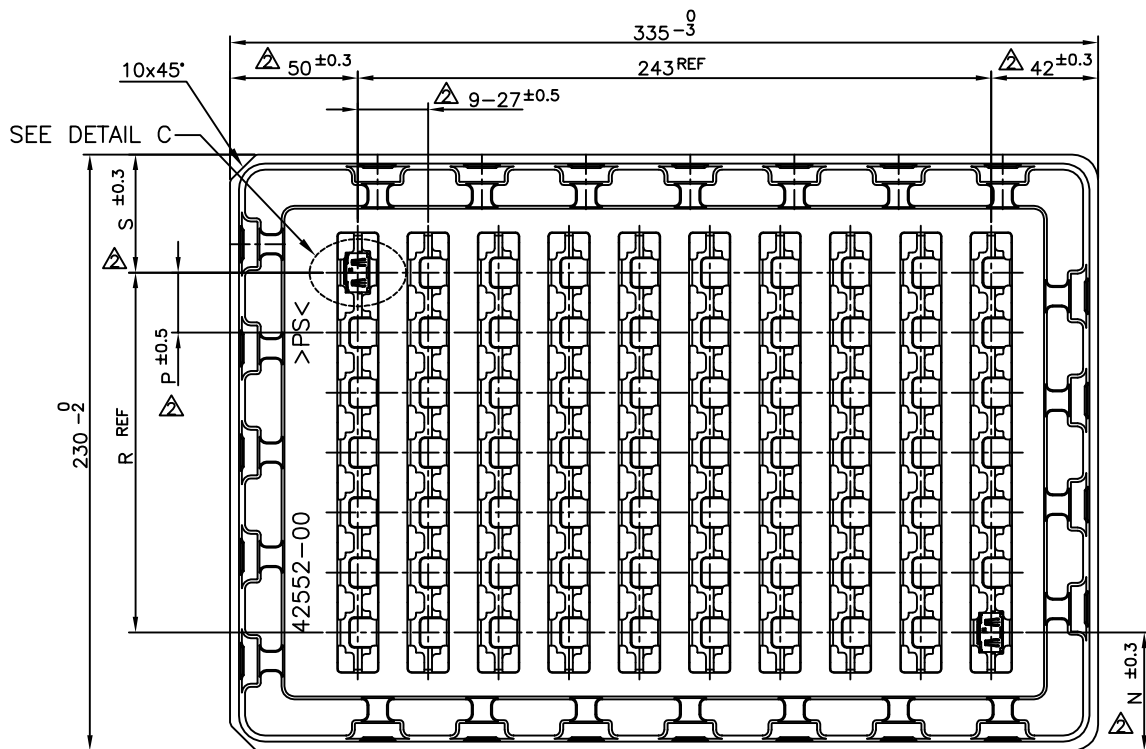
SEP ,2005.

© COPYRIGHT 2005 By -

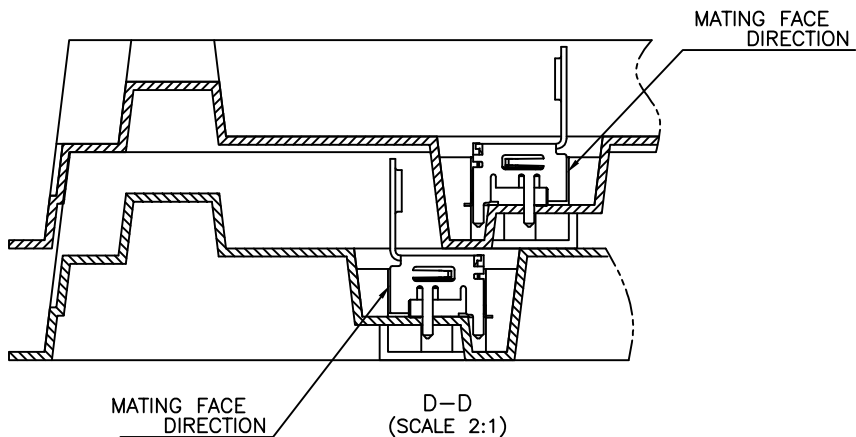
ALL RIGHTS RESERVED.

1903015-2, 1903015-5, 4-1903015-1, 5-1903015-2, 5-1903015-4
8-1903015-4, 9-1903015-4; AS SHOWN

LOC	DIST	REVISIONS			
		変更		DATE	DWN
		P	LTR	DESCRIPTION	APVD
		-	-	SEE SHEET 1	-



DETAIL C (SCALE 2:1)



THIS DRAWING IS A CONTROLLED DOCUMENT.

DIMENSIONS:
單位: 毫米
mm

TOLERANCES UNLESS
OTHERWISE SPECIFIED:
一般公差

- 0 PLC ±
- 1 PLC ±
- 2 PLC ±
- 3 PLC ±
- 4 PLC ±
- ANGLES ±
- FINISH 仕上

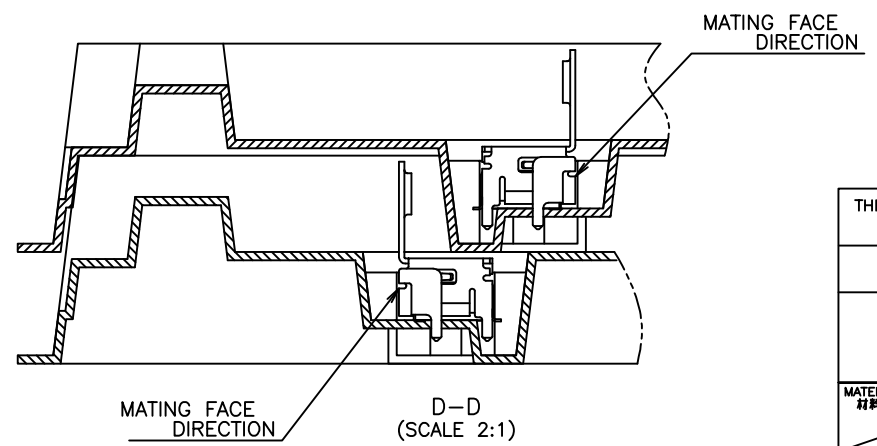
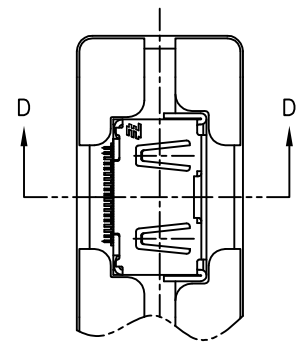
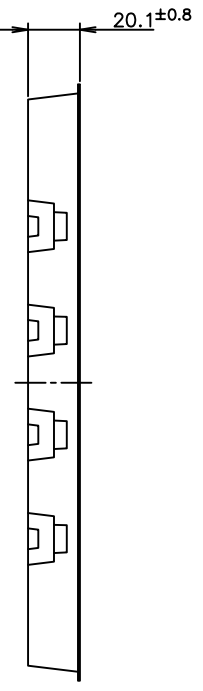
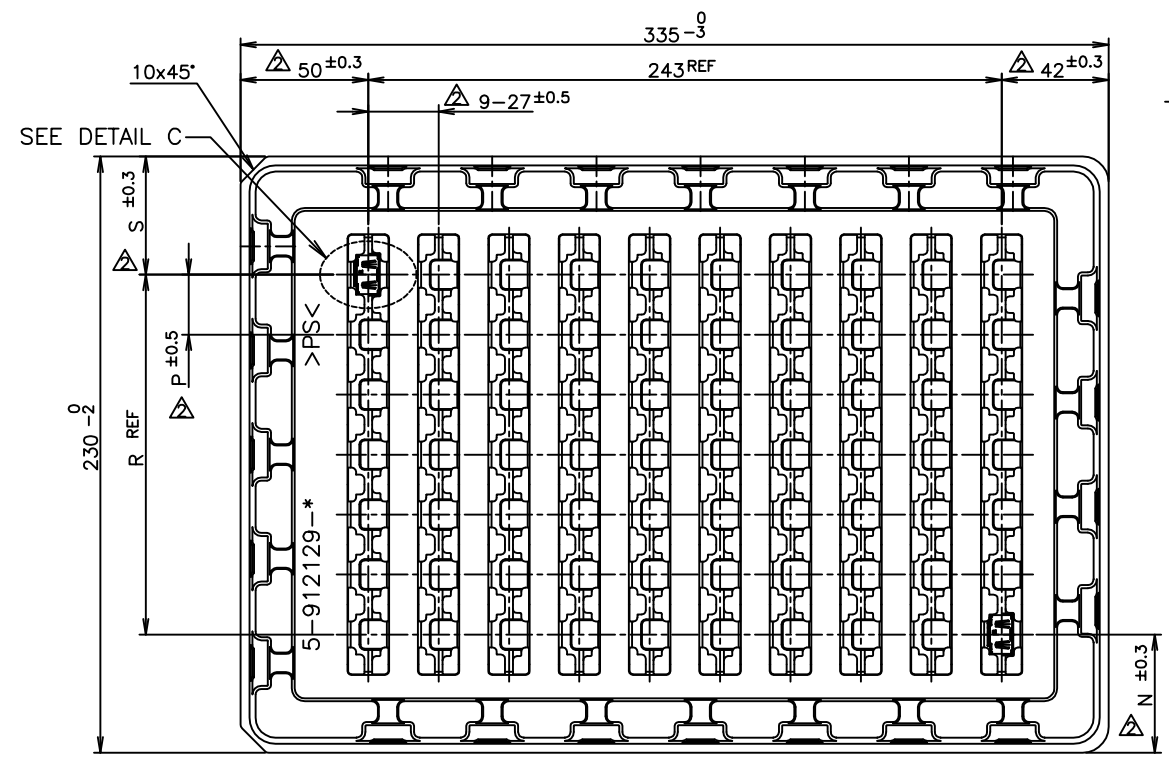
MATERIAL
材料

CHK
APVD
PRODUCT SPEC 製品規格
APPLICATION SPEC 取付適用規格
WEIGHT
CUSTOMER DRAWING

PS	TRAY
MATERIAL	DESCRIPTION
TE TE Connectivity	
NAME 名称 HDMI 19 POS RECEPTACLE ASSY SMT SHORT TYPE	
SIZE A3	CAGE CODE 00779
DRAWING NO 番号 G=1903015	RESTRICTED TO
SCALE 尺度 4:1	SHEET 7 of 12
REV R	

1903015-4; AS SHOWN

LOC		DIST		REVISIONS				
				変更		DATE	DWN	APVD
P	LTR	DESCRIPTION						
-	-	SEE SHEET 1		-	-	-	-	-



THIS DRAWING IS A CONTROLLED DOCUMENT.

DIMENSIONS: 單位: 毫米 mm	TOLERANCES UNLESS OTHERWISE SPECIFIED: 一般公差	0 PLC ±	1 PLC ±	2 PLC ±	3 PLC ±	4 PLC ±	ANGLES ±	FINISH 仕上	DWN	CHK	APVD	PRODUCT SPEC 製品規格	APPLICATION SPEC 取付適用規格	WEIGHT	CUSTOMER DRAWING	
MATERIAL 材料		NAME 名称			SIZE			CAGE CODE			DRAWING NO 番号			RESTRICTED TO		
		HDMI 19 POS RECEPTACLE ASSY SMT SHORT TYPE			A3			00779			C=1903015					
		SCALE 尺度			SHEET			REV			R					
		4:1			8 of 12											

4

3

2

1

THIS DRAWING IS UNPUBLISHED.

RELEASED FOR PUBLICATION

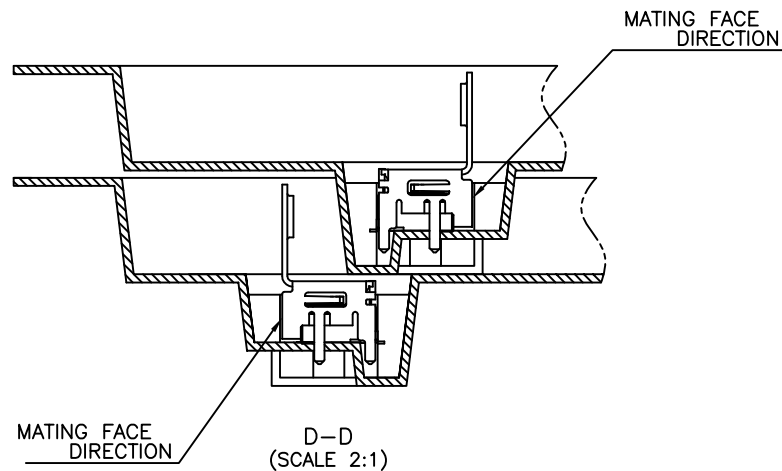
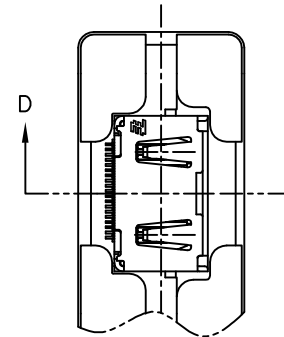
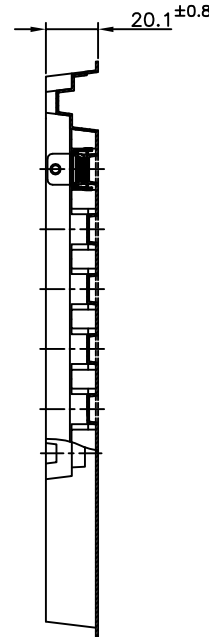
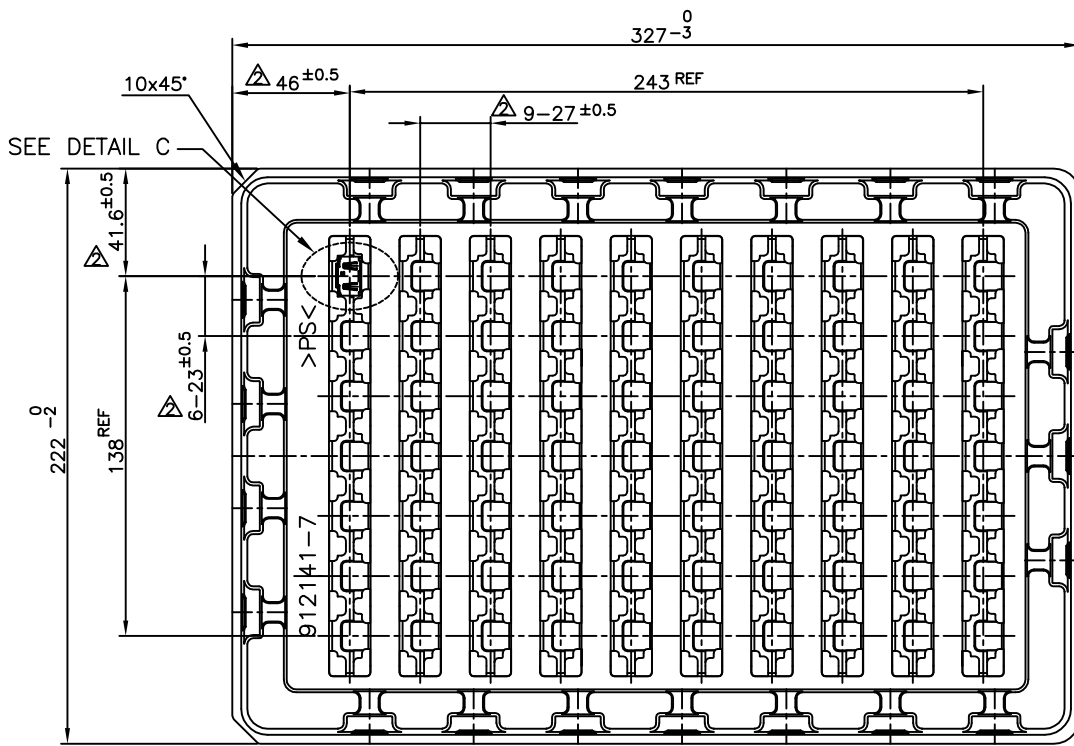
SEP, 2005.

© COPYRIGHT 2005 By -

ALL RIGHTS RESERVED.

1903015-7, 1903015-8; AS SHOWN

LOC	DIST	REVISIONS			DATE	DWN	APVD
		P	LTR	DESCRIPTION			
-	-	-	-	SEE SHEET 1	-	-	-



THIS DRAWING IS A CONTROLLED DOCUMENT.

DIMENSIONS:
單位: 毫米
mm

TOLERANCES UNLESS
OTHERWISE SPECIFIED:
一般公差

- 0 PLC ±
- 1 PLC ±
- 2 PLC ±
- 3 PLC ±
- 4 PLC ±
- ANGLES ±

MATERIAL
材料

FINISH
仕上

CHK
APVD
PRODUCT SPEC 製品規格
APPLICATION SPEC 取付適用規格
WEIGHT
CUSTOMER DRAWING

PS MATERIAL		TRAY DESCRIPTION	
TE TE Connectivity			
NAME 名称		HDMI 19 POS RECEPTACLE ASSY SMT SHORT TYPE	
SIZE A3	CAGE CODE 00779	DRAWING NO C=1903015	RESTRICTED TO 番号
SCALE 尺度 4:1		SHEET 9 of 12	REV R

THIS DRAWING IS UNPUBLISHED.

RELEASED FOR PUBLICATION

SEP, 2005.

© COPYRIGHT 2005 By -

ALL RIGHTS RESERVED.

LOC	DIST
-	-

REVISIONS

変更

DESCRIPTION

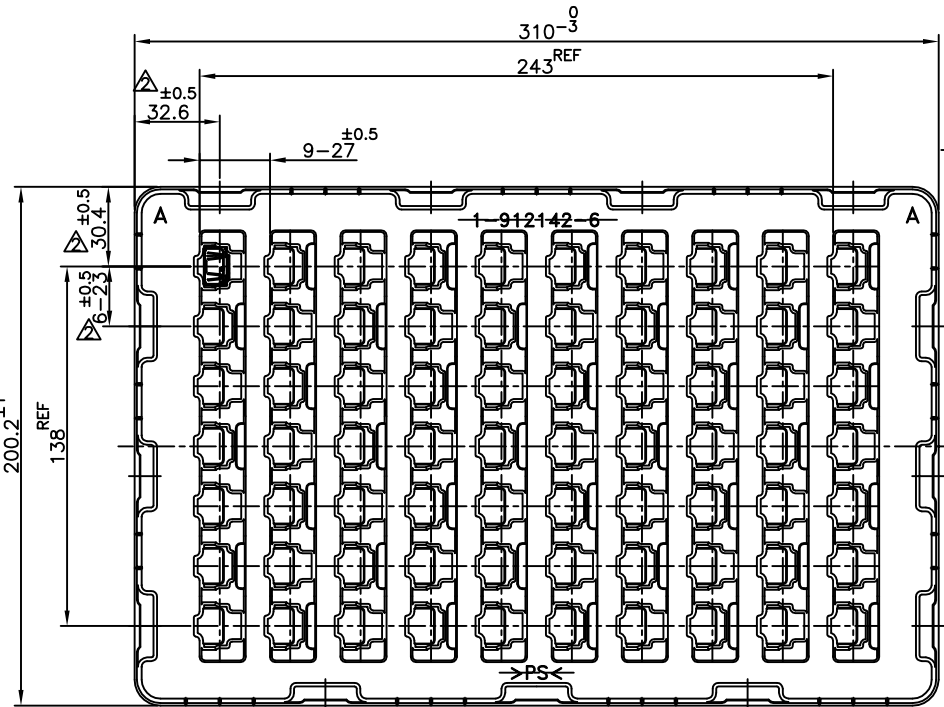
DATE

DWN

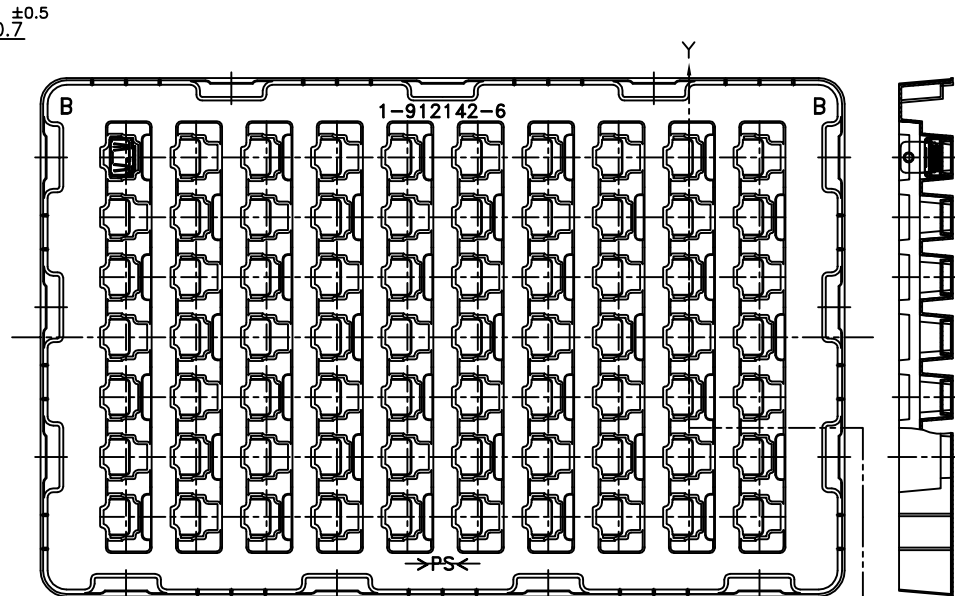
APVD

SEE SHEET 1

8-1903015-4; AS SHOWN

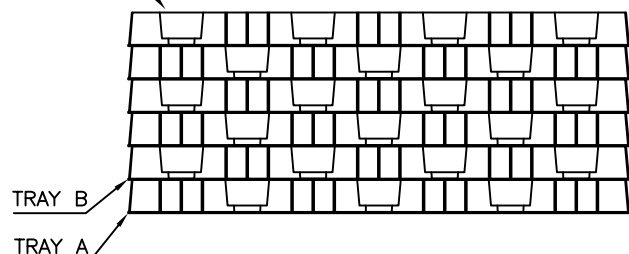


TRAY A

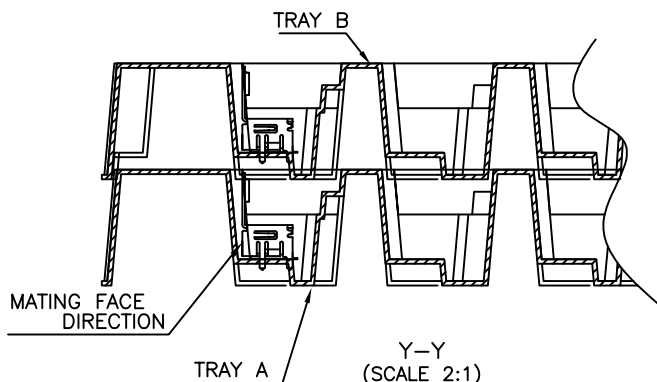


TRAY B

TRAY B (EMPTY)



TRAY B
TRAY A



MATING FACE DIRECTION

Y-Y (SCALE 2:1)

PS	TRAY
MATERIAL	DESCRIPTION

THIS DRAWING IS A CONTROLLED DOCUMENT.

DIMENSIONS: 單位: 毫米 mm	TOLERANCES UNLESS OTHERWISE SPECIFIED: 一般公差	DWN	TE Connectivity																					
<table border="1"> <tr><td>0 PLC</td><td>±</td></tr> <tr><td>1 PLC</td><td>±</td></tr> <tr><td>2 PLC</td><td>±</td></tr> <tr><td>3 PLC</td><td>±</td></tr> <tr><td>4 PLC</td><td>±</td></tr> <tr><td>4 PLC ANGLES</td><td>±</td></tr> </table>	0 PLC	±		1 PLC	±	2 PLC	±	3 PLC	±	4 PLC	±	4 PLC ANGLES	±	FINISH 仕上	<table border="1"> <tr><td>CHK</td></tr> <tr><td>APVD</td></tr> <tr><td>PRODUCT SPEC 製品規格</td></tr> <tr><td>APPLICATION SPEC 取付適用規格</td></tr> <tr><td>WEIGHT</td></tr> </table>	CHK	APVD	PRODUCT SPEC 製品規格	APPLICATION SPEC 取付適用規格	WEIGHT	<table border="1"> <tr><td>NAME 名称</td></tr> <tr><td>HDMI 19 POS RECEPTACLE ASSY SMT SHORT TYPE</td></tr> <tr><td>SIZE</td></tr> <tr><td>A3</td></tr> </table>	NAME 名称	HDMI 19 POS RECEPTACLE ASSY SMT SHORT TYPE	SIZE
0 PLC	±																							
1 PLC	±																							
2 PLC	±																							
3 PLC	±																							
4 PLC	±																							
4 PLC ANGLES	±																							
CHK																								
APVD																								
PRODUCT SPEC 製品規格																								
APPLICATION SPEC 取付適用規格																								
WEIGHT																								
NAME 名称																								
HDMI 19 POS RECEPTACLE ASSY SMT SHORT TYPE																								
SIZE																								
A3																								
MATERIAL 材料		CUSTOMER DRAWING	<table border="1"> <tr><td>CAGE CODE</td><td>00779</td></tr> <tr><td>DRAWING NO 番号</td><td>C=1903015</td></tr> <tr><td>SCALE 尺度</td><td>4:1</td></tr> <tr><td>SHEET</td><td>10 OF 12</td></tr> <tr><td>REV</td><td>R</td></tr> </table>	CAGE CODE	00779	DRAWING NO 番号	C=1903015	SCALE 尺度	4:1	SHEET	10 OF 12	REV	R											
CAGE CODE	00779																							
DRAWING NO 番号	C=1903015																							
SCALE 尺度	4:1																							
SHEET	10 OF 12																							
REV	R																							

4

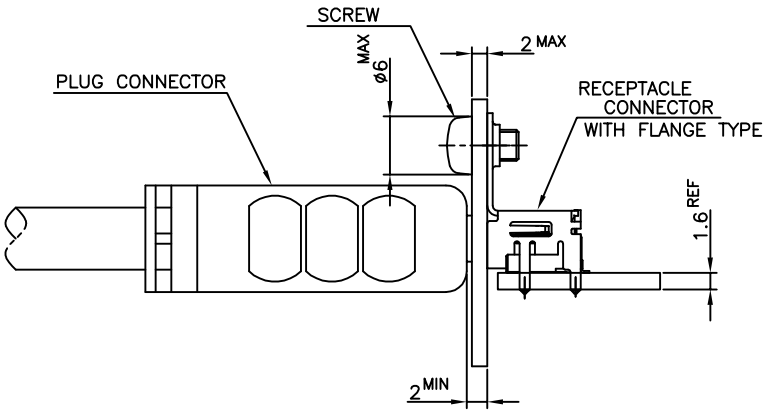
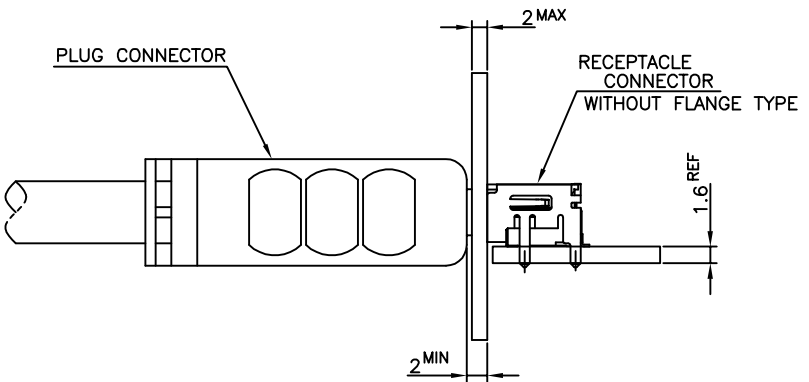
3

2

1

THIS DRAWING IS UNPUBLISHED. RELEASED FOR PUBLICATION SEP ,2005.
 © COPYRIGHT 2005 By - ALL RIGHTS RESERVED.

LOC		DIST		REVISIONS 変更			DATE	DWN	APVD
P	LTR	DESCRIPTION							
-	-	SEE SHEET 1			-	-	-	-	



MATING CONDITION (REFERENCE)
(SCALE 2:1)

THIS DRAWING IS A CONTROLLED DOCUMENT.		DWN		TE TE Connectivity	
DIMENSIONS: 單位: 話 mm		CHK			
		APVD		NAME 名稱	
		PRODUCT SPEC 製品規格		HDMI 19 POS RECEPTACLE ASSY SMT SHORT TYPE	
		APPLICATION SPEC 取付適用規格		DRAWING NO 番号	
		MATERIAL 材料		WEIGHT	
FINISH 仕上		CUSTOMER DRAWING		SCALE 尺度 4:1	
TOLERANCES UNLESS OTHERWISE SPECIFIED: 一般公差		DRAWING NO 番号		SHEET	
0 PLC ±		A3 00779 C=1903015		11 OF 12	
1 PLC ±				REV	
2 PLC ±				R	
3 PLC ±					
4 PLC ±					
ANGLES ±					

THIS DRAWING IS PUBLISHED.

NOT BASED FOR PUBLICATION

SEP., 2005.

© COPYRIGHT 2005. By -

ALL RIGHTS RESERVED.

LOC

DIST

REV

DATE

DWN

APVD

P

LTR

DESCRIPTION

DATE

DWN

APVD

SEE SHEET 1

P/N:6-1903015-3

D

D

C

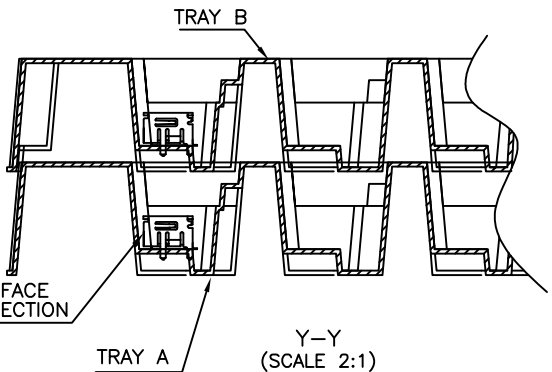
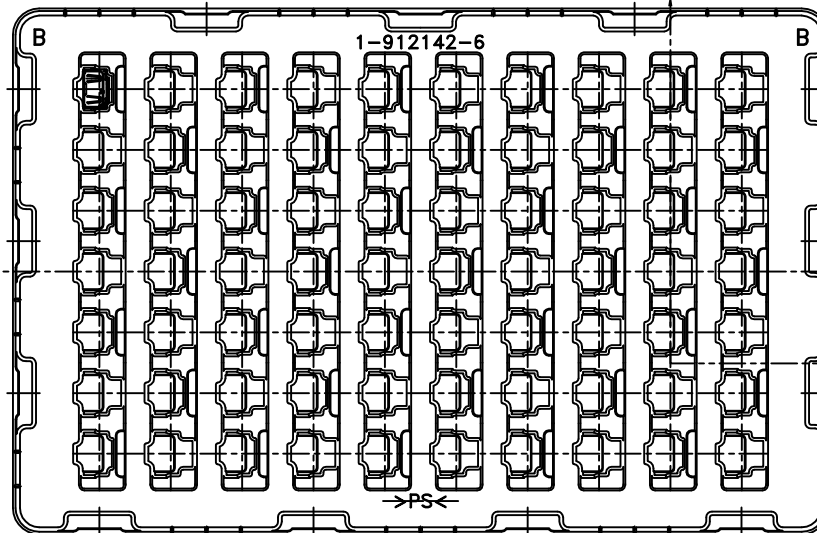
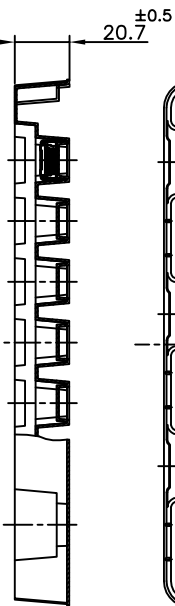
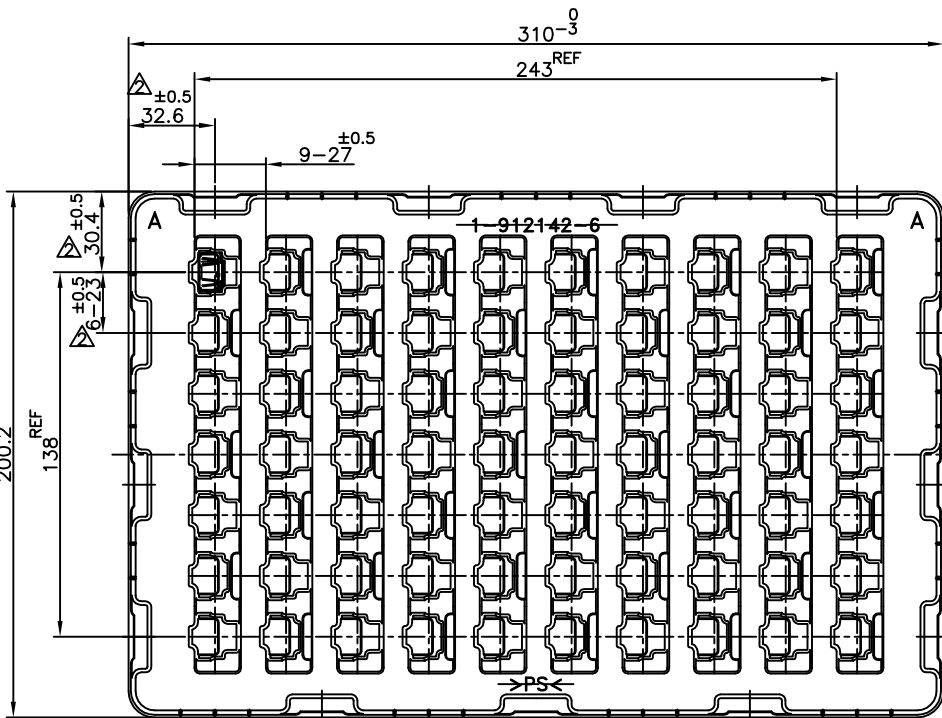
C

B

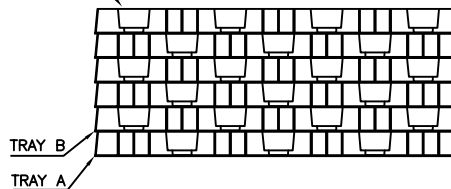
B

A

A



TRAY B (EMPTY)



TRAY B

TRAY A

THIS DRAWING IS A CONTROLLED DOCUMENT.

DIMENSIONS: 單位: 毫米 mm

TOLERANCES UNLESS OTHERWISE SPECIFIED: 一般公差



- 0 PLC ±
- 1 PLC ±
- 2 PLC ±
- 3 PLC ±
- 4 PLC ±
- ANGLES ±
- FINISH 仕上

MATERIAL 材料

DWN

CHK

APVD

PRODUCT SPEC 製品規格

APPLICATION SPEC 取付適用規格

WEIGHT

CUSTOMER DRAWING

NAME 名稱



TE Connectivity

HDMI 19 POS RECEPTACLE ASSY SMT SHORT TYPE

SIZE

CAGE CODE

DRAWING NO 番号

RESTRICTED TO

A300779

C-1903015

SCALE 尺度 4:1

SHEET 12 OF 12

REV R

PS	TRAY
MATERIAL	DESCRIPTION

Компания «Life Electronics» занимается поставками электронных компонентов импортного и отечественного производства от производителей и со складов крупных дистрибьюторов Европы, Америки и Азии.

С конца 2013 года компания активно расширяет линейку поставок компонентов по направлению коаксиальный кабель, кварцевые генераторы и конденсаторы (керамические, пленочные, электролитические), за счёт заключения дистрибьюторских договоров

Мы предлагаем:

- Конкурентоспособные цены и скидки постоянным клиентам.
- Специальные условия для постоянных клиентов.
- Подбор аналогов.
- Поставку компонентов в любых объемах, удовлетворяющих вашим потребностям.
- Приемлемые сроки поставки, возможна ускоренная поставка.
- Доставку товара в любую точку России и стран СНГ.
- Комплексную поставку.
- Работу по проектам и поставку образцов.
- Формирование склада под заказчика.
- Сертификаты соответствия на поставляемую продукцию (по желанию клиента).
- Тестирование поставляемой продукции.
- Поставку компонентов, требующих военную и космическую приемку.
- Входной контроль качества.
- Наличие сертификата ISO.

В составе нашей компании организован Конструкторский отдел, призванный помогать разработчикам, и инженерам.

Конструкторский отдел помогает осуществить:

- Регистрацию проекта у производителя компонентов.
- Техническую поддержку проекта.
- Защиту от снятия компонента с производства.
- Оценку стоимости проекта по компонентам.
- Изготовление тестовой платы монтаж и пусконаладочные работы.



Тел: +7 (812) 336 43 04 (многоканальный)
Email: org@lifeelectronics.ru