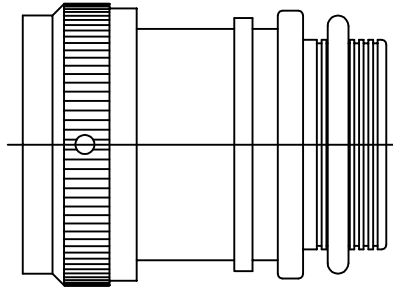


REVISIONS			
LTR	DESCRIPTION	DATE	APPROVED
F	REVISED PER ECD-12-001291	19JAN12	K. YEE
G	REVISED PER ECD-12-021161	04DEC12	G.WELLS



CODE 21  
STRAIGHT ADAPTER


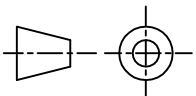
NOTES:

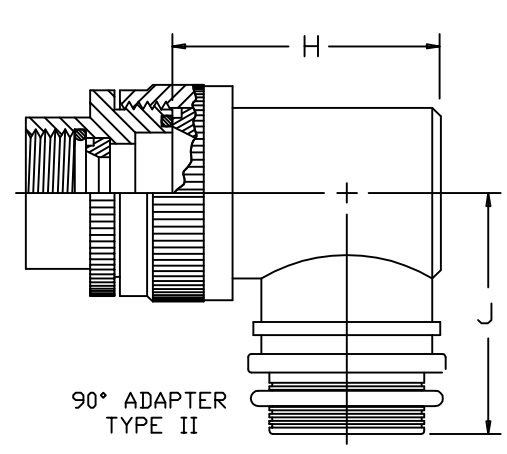
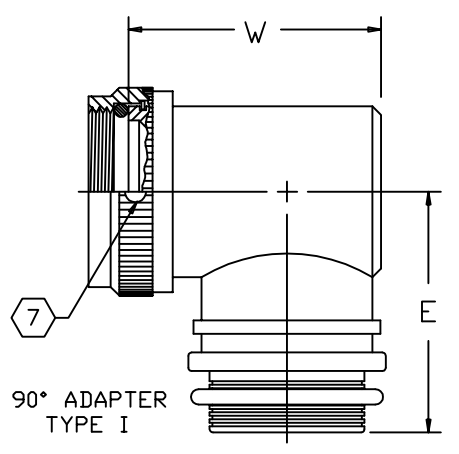
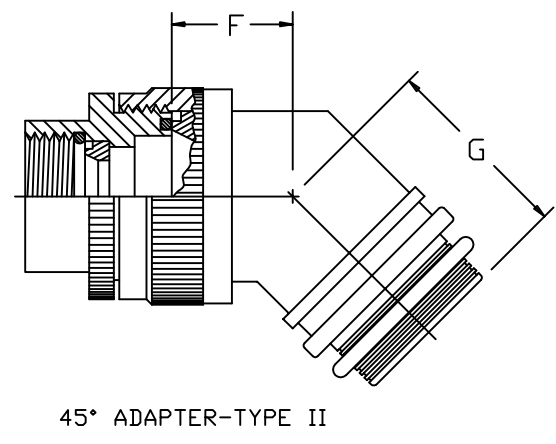
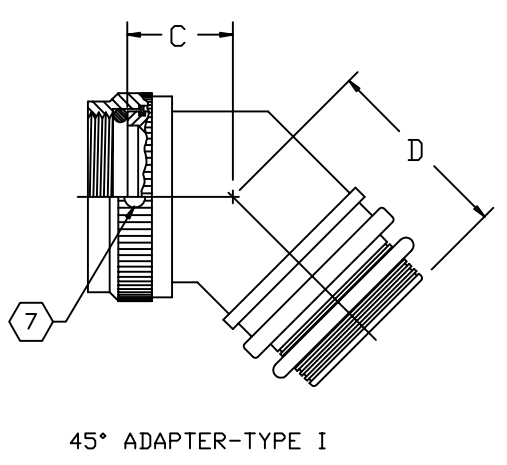
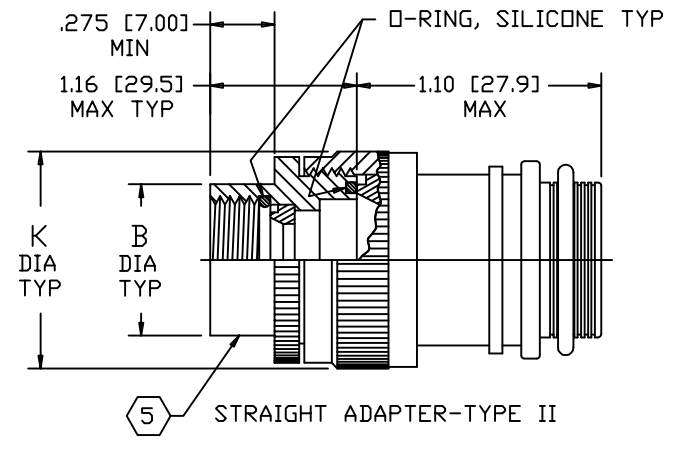
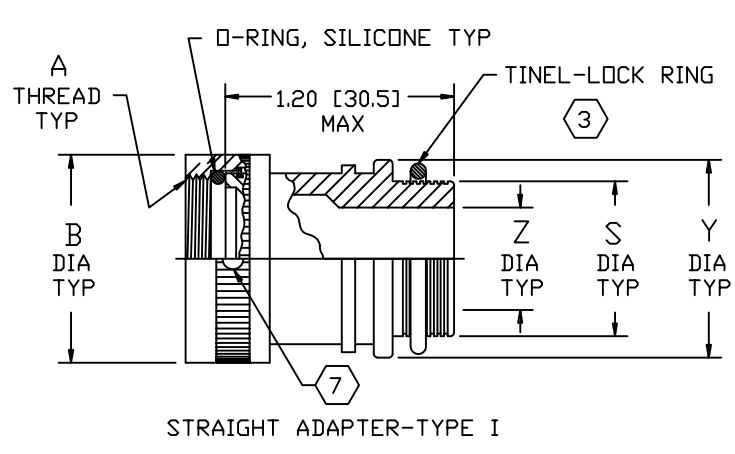
- THIS PRODUCT IS DESIGNED TO TERMINATE A BRAIDED CABLE SHIELD AND A HEAT SHRINKABLE LIPPED BOOT TO A CONNECTOR.
- SEE CH00-0250-008 FOR ORDERING INFORMATION, MODIFICATIONS AND ADDITIONAL DIMENSIONS.
- SEE DRAWING "TR" FOR DETAIL ON TINEL-LOCK RING. RINGS ARE DESIGNED TO BE HEATED ELECTRICALLY. ALL RINGS ARE MARKED WITH THERMOCHROMIC PAINT WHICH CHANGES COLOR WHEN INSTALLATION TEMPERATURE IS REACHED.
- ADAPTER TO BE PERMANENTLY MARKED WITH CODE IDENT. NO. AND PART NO. LESS RING DESIGNATOR (E.G.: 06090-TXR21AB00-1406). RINGS SHALL BEAR NO MARKING.
- FOR LARGER ENTRY SIZES, A 2 PIECE ADAPTER (TYPE II) IS SUPPLIED.
- ADAPTER MATES TO MIL-C-26482 SERIES 1, MS3110, MS3116, MS3120, MS3126, CLASS E AND F CONNECTORS.
- ANTI-ROTATIONAL SET SCREW, 3 THREADED HOLES  $120^\circ \pm 5^\circ$  APART, SINGLE MATING SET SCREW SUPPLIED: AN565DC4H2. NOT REQUIRED FOR TYPE II ADAPTERS.

If this document is printed it becomes uncontrolled. Check for the latest revision

© 2011-2012 TYCO ELECTRONICS. ALL RIGHTS RESERVED

Raychem Adapters  
CUSTOMER DRAWING

DIMENSIONING AND TOLERANCING PER ASME Y14.5M (ISO STANDARDS)	DRAWN E. GOLDY	DATE 05-06-93		TE Connectivity		
	CHECKED	DATE				
UNLESS OTHERWISE SPECIFIED DIMENSIONS ARE IN INCHES. METRIC DIMENSIONS ARE IN BRACKETS.	APPROVED W. C. GAY	DATE 06-30-93	TITLE TINEL-LOCK™ ADAPTER			
	APPROVED	DATE				
	CAD NAME txr21_1_g_cd_g					
DECIMALS .XXX ± [ mm] .XX ± [ mm] .X ± [ mm]	THIRD ANGLE PROJECTION		SIZE A	CODE IDENT. NO. 06090	DWG. NO. TXR21	REV G
ANGLES .X ±	DO NOT SCALE THIS DWG		SHEET 1 OF 3			



If this document is printed it becomes uncontrolled. Check for the latest revision

Raychem Adapters  
CUSTOMER DRAWING

SIZE	CODE IDENT. NO.	DWG. NO.	REV
A	06090	TXR21	G
DO NOT SCALE THIS DWG		CAD NAME txr21_2_g_cd_G	SHEET 2 OF 3

TABLE I								
ORDER NO.	SHELL SIZE 6	MAX ENTRY SIZE 5 TYPE I	A UNIFIED THD CLASS 2B	B DIA MAX	C MAX	D MAX	E MAX	W MAX
08	8	04	.438-28 UNEF	.72 [18,3]	.85 [21,6]	.91 [23,1]	1.14 [29,0]	1.00 [25,4]
10	10	06	.562-24 UNEF	.85 [21,6]	.88 [22,4]	.94 [23,9]	1.20 [30,5]	1.07 [27,2]
12	12	08	.688-24 UNEF	.98 [24,9]	.91 [23,1]	.97 [24,6]	1.27 [32,3]	1.19 [30,2]
14	14	10	.812-20 UNEF	1.11 [28,2]	.92 [23,4]	.98 [24,9]	1.32 [33,5]	1.32 [33,5]
16	16	12	.938-20 UNEF	1.23 [31,2]	.95 [24,1]	1.01 [25,7]	1.37 [34,8]	1.44 [36,6]
18	18	12	1.062-18 UNEF	1.36 [34,5]	.96 [24,4]	1.02 [25,9]	1.43 [36,3]	1.57 [39,9]
20	20	14	1.188-18 UNEF	1.48 [37,6]	.99 [25,1]	1.05 [26,7]	1.50 [38,1]	1.69 [42,9]
22	22	16	1.312-18 UNEF	1.60 [40,6]	1.01 [25,7]	1.08 [27,4]	1.56 [39,6]	1.82 [46,2]
24	24	18	1.438-18 UNEF	1.70 [43,2]	1.03 [26,2]	1.09 [27,7]	1.61 [40,9]	1.94 [49,3]

TABLE II								
ENTRY SIZE	Z +.010 -.020	S DIA	Y ±.015 [±0.38]	F MAX	G MAX	H MAX	J MAX	K MAX
04	.250 [6.35]	.376 .370 [9.56 9.39]	.550 [13.97]	N/A	N/A	N/A	N/A	N/A
05	.312 [7.92]	.438 .432 [11.13 10.97]	.612 [15.54]	.77 [19.6]	.93 [23.6]	1.19 [30.2]	1.16 [29.5]	.80 [20.3]
06	.375 [9.52]	.501 .495 [12.73 12.57]	.675 [17.14]	.77 [19.6]	.93 [23.6]	1.19 [30.2]	1.16 [29.5]	.80 [20.3]
07	.437 [11.09]	.563 .556 [14.31 14.12]	.737 [18.71]	.80 [20.3]	.95 [24.1]	1.38 [35.1]	1.22 [31.0]	.92 [23.4]
08	.500 [12.70]	.626 .619 [15.91 15.72]	.800 [20.32]	.80 [20.3]	.95 [24.1]	1.38 [35.1]	1.22 [31.0]	.92 [23.4]
10	.625 [15.87]	.752 .742 [19.11 18.84]	.925 [23.49]	.84 [21.3]	1.00 [25.4]	1.51 [38.4]	1.35 [34.3]	1.18 [30.0]
12	.750 [19.05]	.877 .867 [22.28 22.02]	1.050 [26.67]	.88 [22.4]	1.01 [25.7]	1.63 [41.4]	1.40 [35.6]	1.35 [34.3]
14	.875 [22.23]	1.002 .991 [25.46 25.17]	1.175 [29.84]	.88 [22.4]	1.04 [26.4]	1.78 [45.2]	1.46 [37.1]	1.41 [35.8]
16	1.000 [25.40]	1.127 1.116 [28.63 28.34]	1.300 [33.02]	.93 [23.6]	1.06 [26.9]	1.88 [47.8]	1.53 [38.9]	1.60 [40.6]
18	1.125 [28.57]	1.252 1.241 [31.81 31.52]	1.425 [36.19]	.93 [23.6]	1.09 [27.7]	2.01 [51.1]	1.59 [40.4]	1.66 [42.2]
20	1.250 [31.75]	1.377 1.366 [34.98 34.69]	1.550 [39.37]	.98 [24.9]	1.13 [28.7]	2.13 [54.1]	1.78 [45.2]	2.04 [51.8]
22	1.375 [34.93]	1.502 1.488 [38.15 37.79]	1.675 [42.55]	1.03 [26.2]	1.38 [35.1]	2.29 [58.2]	1.85 [47.0]	2.23 [56.6]
24	1.500 [38.10]	1.627 1.613 [41.33 40.97]	1.800 [45.72]	1.08 [27.4]	1.44 [36.6]	2.42 [61.5]	1.92 [48.8]	2.23 [56.6]

Raychem Adapters  
CUSTOMER DRAWING

If this document is printed it becomes uncontrolled. Check for the latest revision

SIZE	CODE IDENT. NO.	DWG. NO.	REV
A	06090	TXR21	G
DO NOT SCALE THIS DWG		CAD NAME txr21_3_g_cd_G	SHEET 3 OF 3

Компания «Life Electronics» занимается поставками электронных компонентов импортного и отечественного производства от производителей и со складов крупных дистрибьюторов Европы, Америки и Азии.

С конца 2013 года компания активно расширяет линейку поставок компонентов по направлению коаксиальный кабель, кварцевые генераторы и конденсаторы (керамические, пленочные, электролитические), за счёт заключения дистрибьюторских договоров

Мы предлагаем:

- Конкурентоспособные цены и скидки постоянным клиентам.
- Специальные условия для постоянных клиентов.
- Подбор аналогов.
- Поставку компонентов в любых объемах, удовлетворяющих вашим потребностям.
- Приемлемые сроки поставки, возможна ускоренная поставка.
- Доставку товара в любую точку России и стран СНГ.
- Комплексную поставку.
- Работу по проектам и поставку образцов.
- Формирование склада под заказчика.
- Сертификаты соответствия на поставляемую продукцию (по желанию клиента).
- Тестирование поставляемой продукции.
- Поставку компонентов, требующих военную и космическую приемку.
- Входной контроль качества.
- Наличие сертификата ISO.

В составе нашей компании организован Конструкторский отдел, призванный помогать разработчикам, и инженерам.

Конструкторский отдел помогает осуществить:

- Регистрацию проекта у производителя компонентов.
- Техническую поддержку проекта.
- Защиту от снятия компонента с производства.
- Оценку стоимости проекта по компонентам.
- Изготовление тестовой платы монтаж и пусконаладочные работы.



Тел: +7 (812) 336 43 04 (многоканальный)

Email: [org@lifeelectronics.ru](mailto:org@lifeelectronics.ru)