

# 4th Generation USB 2.0 Flash Media Controller with Integrated Card Power FETs & HS Hub

## PRODUCT FEATURES

Datasheet

### Hub Controller

- Provides Three USB 2.0 Downstream Ports via internal USB 2.0 Hub
  - Multi Transaction Translator for FS/LS devices attached

### Flash Media Controller

- Complete System Solution for interfacing SmartMedia<sup>™</sup> (SM) or xD Picture Card<sup>™</sup> (xD)<sup>1</sup>, Memory Stick<sup>™</sup> (MS), High Speed Memory Stick (HSMS), Memory Stick PRO (MSPRO), MS Duo<sup>™</sup>, Secure Digital (SD), Mini-Secure Digital (Mini-SD), TransFlash (SD), MultiMediaCard<sup>™</sup> (MMC), Reduced Size MultiMediaCard (RS-MMC), NAND Flash, Compact Flash<sup>™</sup> (CF) and CF Ultra<sup>™</sup> I & II, and CF form-factor ATA hard drives to USB 2.0 bus
  - Supports USB Bulk Only Mass Storage Compliant Bootable BIOS
- Support for simultaneous operation of all above devices. (only one at a time of each of the following groups supported: CF or ATA drive, SM or XD or NAND, SD or MMC)
- On-Chip 4-Bit High Speed Memory Stick and MS PRO Hardware Circuitry
- On-Chip firmware reads and writes High Speed Memory Stick and MS PRO
- 1-bit ECC correction performed in hardware for maximum efficiency
- Hardware support for SD Security Command Extensions
- 3.3 Volt I/O with 5V input tolerance on VBUS, Port Power and Over-Current Sense pins
- On-chip power FETs for supplying flash media card power with minimum board components
- 8051 8 bit microprocessor
  - Provides low speed control functions
  - 30 MHz execution speed at 4 cycles per instruction average
  - 12K Bytes of internal SRAM for general purpose scratchpad
- 768 Bytes of internal SRAM for general purpose scratchpad or program execution while re-flashing external ROM
- Double Buffered Bulk Endpoint
- Bi-directional 512 Byte Buffer for Bulk Endpoint
- 64 Byte RX Control Endpoint Buffer
- 64 Byte TX Control Endpoint Buffer
- Internal Program Memory Interface
  - 64K Byte Internal Code Space
- On Board 24MHz Crystal Driver Circuit
- Can be clocked by an external 24MHz source
- On-Chip 1.8V Regulator for Low Power Core Operation
- Internal PLL for 480MHz USB 2.0 Sampling, Configurable MCU clock
- 11 GPIOs for special function use: LED indicators, button inputs, power control to memory devices, etc.
  - Inputs capable of generating interrupts with either edge sensitivity
- Configuration of Hub and Flash Media features controlled either by internal defaults or via single external EEPROM. User configurable features:
  - Full or Partial Card compliance checking
  - LUN configuration and assignment
  - Write Protect Polarity
  - Cover Switch operation for xD compliance
  - Inquiry Command operation
  - SD Write Protect operation
  - Older CF card support
  - Force USB 1.1 reporting
  - Internal or External Power FET operation
- Compatible with Microsoft WinXP, WinME, Win2K SP3&4, Apple OS10 and Linux Multi-LUN Mass Storage Class Drivers
- Win2K, Win98/98SE and Apple OS8.6 and OS9 Multi-LUN Mass Storage Class Drivers are available from SMSC
- 128 Pin TQFP Package (1.0mm height, 14mm x14mm footprint); lead-free RoHS compliant package also available

<sup>1</sup>.xD Picture Card not applicable to USB2601

**ORDER NUMBERS:****USB2601/USB2602-NE-XX FOR 128 PIN, TQFP PACKAGE****USB2601/USB2602-NU-XX FOR 128 PIN, TQFP LEAD-FREE ROHS COMPLIANT PACKAGE****“XX” in the order number indicates the internal ROM firmware revision level.****PLEASE CONTACT YOUR SMSC SALES REPRESENTATIVE FOR MORE INFORMATION.**

80 ARKAY DRIVE, HAUPPAUGE, NY 11788 (631) 435-6000, FAX (631) 273-3123

Copyright © 2008 SMSC or its subsidiaries. All rights reserved.

Circuit diagrams and other information relating to SMSC products are included as a means of illustrating typical applications. Consequently, complete information sufficient for construction purposes is not necessarily given. Although the information has been checked and is believed to be accurate, no responsibility is assumed for inaccuracies. SMSC reserves the right to make changes to specifications and product descriptions at any time without notice. Contact your local SMSC sales office to obtain the latest specifications before placing your product order. The provision of this information does not convey to the purchaser of the described semiconductor devices any licenses under any patent rights or other intellectual property rights of SMSC or others. All sales are expressly conditional on your agreement to the terms and conditions of the most recently dated version of SMSC's standard Terms of Sale Agreement dated before the date of your order (the "Terms of Sale Agreement"). The product may contain design defects or errors known as anomalies which may cause the product's functions to deviate from published specifications. Anomaly sheets are available upon request. SMSC products are not designed, intended, authorized or warranted for use in any life support or other application where product failure could cause or contribute to personal injury or severe property damage. Any and all such uses without prior written approval of an Officer of SMSC and further testing and/or modification will be fully at the risk of the customer. Copies of this document or other SMSC literature, as well as the Terms of Sale Agreement, may be obtained by visiting SMSC's website at <http://www.smisc.com>. SMSC is a registered trademark of Standard Microsystems Corporation ("SMSC"). Product names and company names are the trademarks of their respective holders.

SMSC DISCLAIMS AND EXCLUDES ANY AND ALL WARRANTIES, INCLUDING WITHOUT LIMITATION ANY AND ALL IMPLIED WARRANTIES OF MERCHANTABILITY, FITNESS FOR A PARTICULAR PURPOSE, TITLE, AND AGAINST INFRINGEMENT AND THE LIKE, AND ANY AND ALL WARRANTIES ARISING FROM ANY COURSE OF DEALING OR USAGE OF TRADE. IN NO EVENT SHALL SMSC BE LIABLE FOR ANY DIRECT, INCIDENTAL, INDIRECT, SPECIAL, PUNITIVE, OR CONSEQUENTIAL DAMAGES; OR FOR LOST DATA, PROFITS, SAVINGS OR REVENUES OF ANY KIND; REGARDLESS OF THE FORM OF ACTION, WHETHER BASED ON CONTRACT; TORT; NEGLIGENCE OF SMSC OR OTHERS; STRICT LIABILITY; BREACH OF WARRANTY; OR OTHERWISE; WHETHER OR NOT ANY REMEDY OF BUYER IS HELD TO HAVE FAILED OF ITS ESSENTIAL PURPOSE, AND WHETHER OR NOT SMSC HAS BEEN ADVISED OF THE POSSIBILITY OF SUCH DAMAGES.

## Table of Contents

---

<b>Chapter 1</b>	<b>General Description</b>	<b>6</b>
1.1	High-Speed Hub	6
1.2	Flash Media Controller	6
<hr/>		
<b>Chapter 2</b>	<b>Acronyms</b>	<b>8</b>
<hr/>		
<b>Chapter 3</b>	<b>Pin Table</b>	<b>9</b>
3.1	128-Pin TQFP Package	9
3.2	128-Pin List Table	10
<hr/>		
<b>Chapter 4</b>	<b>Pin Configuration</b>	<b>12</b>
<hr/>		
<b>Chapter 5</b>	<b>Block Diagram</b>	<b>13</b>
<hr/>		
<b>Chapter 6</b>	<b>Pin Descriptions</b>	<b>14</b>
6.1	PIN Descriptions	14
6.2	Buffer Type Descriptions	20
<hr/>		
<b>Chapter 7</b>	<b>DC Parameters</b>	<b>21</b>
7.1	Maximum Guaranteed Ratings	21
7.2	Operating Conditions	22
7.3	DC Electrical Characteristics	22
7.4	Capacitance	26
<hr/>		
<b>Chapter 8</b>	<b>Package Information</b>	<b>27</b>
8.1	Package Outline	27
8.2	Package Thermal Specifications	28
<hr/>		
<b>Chapter 9</b>	<b>GPIO Usage</b>	<b>29</b>

## List of Figures

Figure 4.1	USB2601/USB2602 128-Pin TQFP .....	12
Figure 5.1	USB2601/USB2602 Block Diagram .....	13
Figure 7.1	Supply Rise Time Model .....	22
Figure 8.1	USB2601/USB2602 128-Pin TQFP Package Outline .....	27



Datasheet

## List of Tables

Table 3.1	USB2601/USB2602 128-Pin TQFP Package .....	9
Table 3.2	USB2601/USB2602 128-Pin TQFP .....	10
Table 6.1	USB2601/USB2602 Buffer Type Descriptions .....	20
Table 8.1	USB2601/USB2602 128-Pin TQFP Package Parameters .....	27
Table 8.2	128-Pin TQFP Package Thermal Parameters .....	28
Table 9.1	GPIO Usage (ROM Rev -01) .....	29

## Chapter 1 General Description

The USB2601/USB2602 is an Integrated “combo” High-Speed USB hub and Flash Media Controller. The Flash media controller permanently resides on Port 1 of the Integrated USB hub.

### 1.1 High-Speed Hub

The integrated SMSC Hub is fully compliant with the USB 2.0 Specification and will attach to a USB host as a Full-Speed Hub or as a Full-/High-Speed Hub. The Hub supports Low-Speed, Full-Speed, and High-Speed (if operating as a High-Speed Hub) downstream devices on all of the enabled downstream ports.

A dedicated Transaction Translator (TT) is available for each downstream facing port. This architecture ensures maximum USB throughput for each connected device when operating with mixed-speed peripherals.

The Hub works with an external USB power distribution switch device to control  $V_{BUS}$  switching to downstream ports, and to limit current and sense over-current conditions.

All required resistors on the USB ports are integrated into the Hub. This includes all series termination resistors on D+ and D– pins and all required pull-down and pull-up resistors on D+ and D– pins. The over-current sense inputs for the downstream facing ports have internal pull-up resistors.

Throughout this document the upstream facing port of the hub will be referred to as the upstream port, and the downstream facing ports will be called the downstream ports.

Three externally available ports are available for general USB device connectivity.

### 1.2 Flash Media Controller

The Bulk Only Mass Storage Class Peripheral Controller intended for supporting CompactFlash (CF and CF Ultra I/II) in True IDE Mode only, SmartMedia (SM) and xD cards, Memory Stick (MS), Memory Stick DUO (MSDUO) and Memory Stick Pro (MSPRO), Secure Digital (SD), and MultiMediaCard (MMC) flash memory devices. It provides a single chip solution for the most popular flash memory cards in the market.

The device consists of buffers, Fast 8051 microprocessor with expanded scratchpad, and program SRAM, and CF, MS, SM and SD controllers. The SD controller supports both SD and MMC devices. SM controller supports both SM and xD cards.

12K bytes of scratchpad SRAM and 768 Bytes of program SRAM are also provided.

Eleven GPIO pins are provided for indicators, external serial EEPROM for OEM ID and system configuration information, and other special functions.

Internal power FETs are provided to directly supply power to the xD/SM, MMC/SD and MS/MSPRO cards.

The internal ROM program is capable of implementing any combination of single or multi-LUN CF/SD/MMC/SM/MS reader functions with individual card power control and activity indication. SMSC also provides licenses\*\* for Win98 and Win2K drivers and setup utilities. Note: Please check with SMSC for precise features and capabilities for the current ROM code release.

**\*Note:** In order to develop, make, use, or sell readers and/or other products using or incorporating any of the SMSC devices made the subject of this document or to use related SMSC software programs, technical information and licenses under patent and other intellectual property rights from or through various persons or entities, including without limitation media standard companies, forums, and associations, and other patent holders may be required. These media standard companies, forums, and associations include without limitation the following: Sony Corporation (Memory Stick, Memory Stick Pro); SD3 LLC (Secure Digital); MultiMedia Card Association (MultiMediaCard); the SSFDC Forum (SmartMedia); the Compact Flash Association (Compact Flash); and Fuji Photo Film Co., Ltd., Olympus Optical Co., Ltd., and Toshiba Corporation (xD-Picture Card). SMSC does not make such licenses or technical information available; does not promise or represent that any such licenses or technical information will actually be obtainable from or through the various persons or entities (including the media standard companies, forums, and associations), or

**Datasheet**

with respect to the terms under which they may be made available; and is not responsible for the accuracy or sufficiency of, or otherwise with respect to, any such technical information.

SMSC's obligations (if any) under the Terms of Sale Agreement, or any other agreement with any customer, or otherwise, with respect to infringement, including without limitation any obligations to defend or settle claims, to reimburse for costs, or to pay damages, shall not apply to any of the devices made the subject of this document or any software programs related to any of such devices, or to any combinations involving any of them, with respect to infringement or claimed infringement of any existing or future patents related to solid state disk or other flash memory technology or applications ("Solid State Disk Patents"). By making any purchase of any of the devices made the subject of this document, the customer represents, warrants, and agrees that it has obtained all necessary licenses under then-existing Solid State Disk Patents for the manufacture, use and sale of solid state disk and other flash memory products and that the customer will timely obtain at no cost or expense to SMSC all necessary licenses under Solid State Disk Patents; that the manufacture and testing by or for SMSC of the units of any of the devices made the subject of this document which may be sold to the customer, and any sale by SMSC of such units to the customer, are valid exercises of the customer's rights and licenses under such Solid State Disk Patents; that SMSC shall have no obligation for royalties or otherwise under any Solid State Disk Patents by reason of any such manufacture, use, or sale of such units; and that SMSC shall have no obligation for any costs or expenses related to the customer's obtaining or having obtained rights or licenses under any Solid State Disk Patents.

**SMSC MAKES NO WARRANTIES, EXPRESS, IMPLIED, OR STATUTORY, IN REGARD TO INFRINGEMENT OR OTHER VIOLATION OF INTELLECTUAL PROPERTY RIGHTS. SMSC DISCLAIMS AND EXCLUDES ANY AND ALL WARRANTIES AGAINST INFRINGEMENT AND THE LIKE.**

No license is granted by SMSC expressly, by implication, by estoppel or otherwise, under any patent, trademark, copyright, mask work right, trade secret, or other intellectual property right.

\*\*To obtain this software program the appropriate SMSC Software License Agreement must be executed and in effect. Forms of these Software License Agreements may be obtained by contacting SMSC.

## Chapter 2 Acronyms

- SM:** SmartMedia
- SMC:** SmartMedia Controller
- FM:** Flash Media
- FMC:** Flash Media Controller
- CF:** CompactFlash
- CFC:** CompactFlash Controller
- SD:** Secure Digital
- SDC:** Secure Digital Controller
- MMC:** MultiMediaCard
- MS:** Memory Stick
- MSC:** Memory Stick Controller
- TPC:** Transport Protocol Code.
- ECC:** Error Checking and Correcting
- CRC:** Cyclic Redundancy Checking



## Chapter 3 Pin Table

### 3.1 128-Pin TQFP Package

Table 3.1 USB2601/USB2602 128-Pin TQFP Package

<b>UPSTREAM USB 2.0 INTERFACE (3 PINS)</b>			
USBUP_DP	USBUP_DM	VBUS_DET	
<b>3-PORT USB 2.0 INTERFACE (16 PINS)</b>			
USBDN_DP2	USBDN_DM2	USBDN_DP3	USBDN_DM3
USBDN_DP4	USBDN_DM4	P RTPWR2	P RTPWR3
P RTPWR4	OCS2_N	OCS3_N	OCS4_N
GR2_N	GR3_N	GR4_N	P RTPWR_POL
<b>CompactFlash INTERFACE (28 Pins)</b>			
CF_D0	CF_D1	CF_D2	CF_D3
CF_D4	CF_D5	CF_D6	CF_D7
CF_D8	CF_D9	CF_D10	CF_D11
CF_D12	CF_D13	CF_D14	CF_D15
CF_nIOR	CF_nIOW	CF_IRQ	CF_nRESET
CF_IORDY	CF_nCS0	CF_nCS1	CF_SA0
CF_SA1	CF_SA2	CF_nCD1	CF_nCD2
<b>SmartMedia INTERFACE (17 Pins)</b>			
SM_D0	SM_D1	SM_D2	SM_D3
SM_D4	SM_D5	SM_D6	SM_D7
SM_ALE	SM_CLE	SM_nRE	SM_nWE
SM_nWP	SM_nB/R	SM_nCE	SM_nCD
SM_nWPS			
<b>Memory Stick INTERFACE (7 Pins)</b>			
MS_BS	MS_SDIO/MS_D0	MS_SCLK	MS_INS
MS_D1	MS_D2	MS_D3	
<b>SD INTERFACE (7 Pins)</b>			
SD_CMD	SD_CLK	SD_DAT0	SD_DAT1
SD_DAT2	SD_DAT3	SD_nWP	

**Table 3.1 USB2601/USB2602 128-Pin TQFP Package**

MISC (23 Pins)			
GPIO1	GPIO2	GPIO4	GPIO5
GPIO6	GPIO7	GPIO8/CRD_PWR0	GPIO9
GPIO10/CRD_PWR1	GPIO11/CRD_PWR2	GPIO12	GPIO13
GPIO14	GPIO15	TEST	RESET_N
ATEST	RBIAS	XTAL1/CLKIN	XTAL2
CLK_SEL0	CLK_SEL1	SEL_CLKDRV	
ANALOG POWER (5 Pins)			
(3)VDDA33	VDD33PLL	VDD18PLL	
DIGITAL, POWER & GROUND (22 Pins)			
(5)VDD33	(11)VSS	(3)VDD18	(3)NC
<b>Total 128</b>			

## 3.2 128-Pin List Table

**Table 3.2 USB2601/USB2602 128-Pin TQFP**

PI N #	NAME	M A	PI N #	NAME	MA	PIN #	NAME	MA	PIN #	NAME	MA
1	PRTPOWER_POL	-	33	VDD18	-	65	CF_D7	8	97	SD_nWP	-
2	PRTPOWER2	12	34	VSS	-	66	CF_D15	8	98	SD_DAT1	8
3	OCS2_N	-	35	VSS	-	67	CF_nCS0	8	99	SD_DAT0	8
4	PRTPOWER3	12	36	SM_nWPS	-	68	CF_nCS1	8	100	SD_CLK	8
5	OCS3_N	-	37	SM_CLE	8	69	CF_nIOR	8	101	VDD33	-
6	PRTPOWER4	12	38	SM_nCE	8	70	CF_nIOW	8	102	GPIO11/ CRD_PWR2	-
7	OCS4_N	-	39	SM_ALE	8	71	CF_IRQ	8	103	SD_CMD	8
8	VDDA33	-	40	SM_nRE	8	72	CF_nRESET	8	104	SD_DAT3	8
9	USBDN_D P3	--	41	SM_nWE	8	73	CF_IORDY	8	105	SD_DAT2	8
10	USBDN_D M3	-	42	SM_nB/R	-	74	CF_SA2	8	106	GPIO4	8
11	VSS	-	43	VDD33	-	75	CF_SA1	8	107	GPIO5	8
12	USBDN_D M4	-	44	GPIO10/ CRD_PWR1	-	76	CF_SA0	8	108	VSS	-

Table 3.2 USB2601/USB2602 128-Pin TQFP (continued)

PI N #	NAME	M A	PI N #	NAME	MA	PIN #	NAME	MA	PIN #	NAME	MA
13	USBDN_DP4	-	45	SM_nWP	8	77	CF_D0	8	109	VSS	-
14	VDDA33	-	46	SM_D0	8	78	CF_D1	8	110	USBUP_DM	-
15	VDD33	-	47	SM_D1	8	79	CF_D8	8	111	USBUP_DP	-
16	GR2_N	8	48	SM_D7	8	80	CF_D2	8	112	VDDA33	-
17	GR3_N	8	49	SM_D2	8	81	CF_D9	8	113	USBDN_DP2	-
18	GR4_N	8	50	SM_D6	8	82	CF_D10	8	114	USBDN_DM2	-
19	GPIO6	8	51	SM_D3	8	83	CF_nCD2	-	115	VSS	-
20	MS_BS	8	52	SM_D5	8	84	VSS	-	116	VBUS_DET	12
21	MS_D1	8	53	SM_D4	8	85	VSS	-	117	VSS	-
22	MS_SDIO/ MS_D0	8	54	SM_nCD	-	86	VDD18	-	118	RESET_N	-
23	MS_D2	8	55	GPIO9	8	87	VDD33	-	119	VDD18	-
24	MS_INS	-	56	CF_nCD1	-	88	GPIO1	8	120	TEST	-
25	MS_D3	8	57	CF_D3	8	89	GPIO2	8	121	VSS	-
26	MS_SCLK	8	58	CF_D11	8	90	GPIO7	8	122	XTAL2	-
27	SEL_CLKD RV	-	59	CF_D4	8	91	VDD33	-	123	XTAL1/ CLKIN	-
28	CLK_SEL1	-	60	CF_D12	8	92	GPIO8/ CRD_PWR0	-	124	VDD18PLL	-
29	CLK_SEL0	-	61	CF_D5	8	93	GPIO12	8	125	VDD33PLL	-
30	NC	-	62	CF_D13	8	94	GPIO13	8	126	ATEST	-
31	NC	-	63	CF_D6	8	95	GPIO14	8	127	RBIAS	-
32	NC	-	64	CF_D14	8	96	GPIO15	8	128	VSS	-

**Notes:**

- RBIAS is connected to the Analog Ground plane VSS via a resistor.
- When the internal 1.8V regulators are enabled, VDD18 (Pin 86) & VDD18PLL (Pin 124), MUST have a 10uf +/- 20%, (equivalent series resistance (ESR) <0.1ohm) bypass capacitor to VSS. These capacitors must be as close to the pins as possible.

# Chapter 4 Pin Configuration

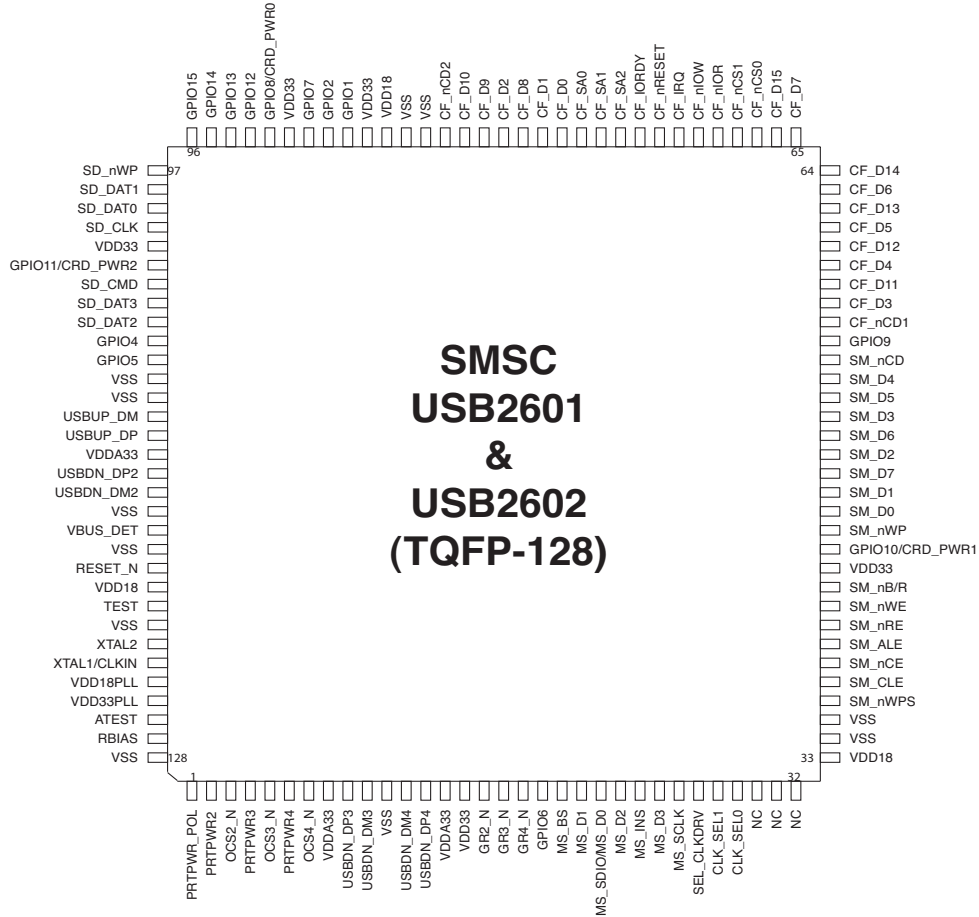


Figure 4.1 USB2601/USB2602 128-Pin TQFP

# Chapter 5 Block Diagram

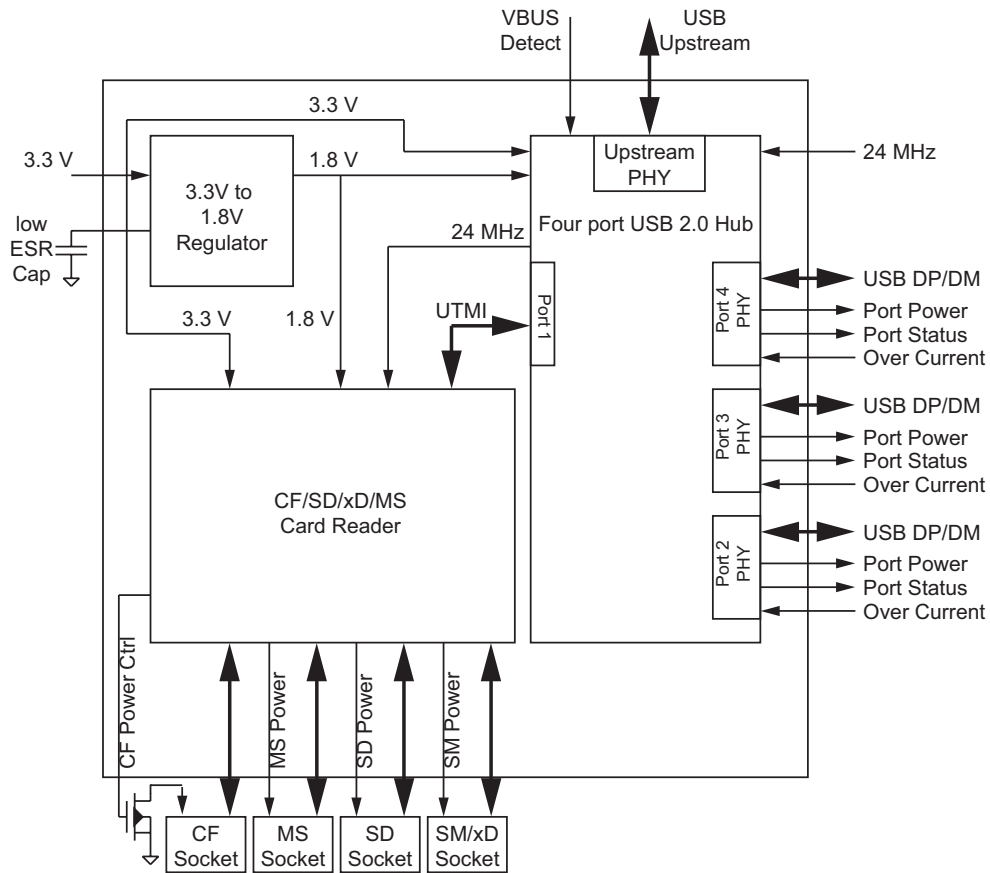


Figure 5.1 USB2601/USB2602 Block Diagram

## Chapter 6 Pin Descriptions

This section provides a detailed description of each signal. The signals are arranged in functional groups according to their associated interface.

The “n” or “\_N” symbol in the signal name indicates that the active, or asserted state occurs when the signal is at a low voltage level. When “n” is not present before the signal name (or “\_N” after the signal name), the signal is asserted when at the high voltage level.

The terms assertion and negation are used exclusively. This is done to avoid confusion when working with a mixture of “active low” and “active high” signal. The term assert, or assertion indicates that a signal is active, independent of whether that level is represented by a high or low voltage. The term negate, or negation indicates that a signal is inactive.

### 6.1 PIN Descriptions

NAME	SYMBOL	BUFFER TYPE	DESCRIPTION
<b>UPSTREAM USB INTERFACE</b>			
USB Bus Data	USBUP_DM USBUP_DP	IO-U	These pins connect to the Upstream USB bus data signals.
Detect Upstream VBUS Power	VBUS_DET	I/O12	<p>Detects state of Upstream VBUS power. The SMSC Hub monitors VBUS_DET to determine when to assert the internal D+ pull-up resistor (signalling a connect event).</p> <p>When designing a detachable hub, this pin must be connected to the VBUS power pin of the USB port that is upstream of the hub.</p> <p>For self-powered applications with a permanently attached host, this pin must be pulled-up to either 3.3V or 5.0V (typically VDD33).</p>
<b>3-PORT USB INTERFACE</b>			
USB Bus Data	USBDN_DM [4:2] USBDN_DP [4:2]	IO-U	These pins connect to the Downstream USB bus data signals.
USB Power Enable	P RTPWR[4:2]	I/O12	<p>Enables power to USB peripheral devices (downstream).</p> <p>The active signal level of the P RTPWR[4:2] pins is determined by the Power Polarity Strapping function of the P RTPWR_POL pin.</p>
Port Power Polarity Strapping	P RTPWR_POL	I/O12	<p>Port Power Polarity strapping determination for the active signal polarity of the P RTPWR[4:2] pins.</p> <p>While RESET_N is asserted, the logic state of this pin will (though the use of internal combinatorial logic) determine the active state of the P RTPWR[4:2] pins in order to ensure that downstream port power is not inadvertently enabled to inactive ports during a hardware reset.</p> <p>‘1’ = P RTPWR[4:2] pins have an active ‘high’ polarity ‘0’ = P RTPWR[4:2] pins have an active ‘low’ polarity</p>

## Datasheet

NAME	SYMBOL	BUFFER TYPE	DESCRIPTION
Over Current Sense	OCS[4:2]_N	IPU	Input from external current monitor indicating an over-current condition. {Note: Contains internal pull-up to 3.3V supply}
Green LED	GR[4:2]_N	I/O8	Green indicator LED for ports 2, 3 and 4. Will be active low when LED support is enabled via EEPROM or SMBus.
<b>CompactFlash (In True IDE mode) INTERFACE</b>			
CF Chip Select 1	CF_nCS1	O8PU	This pin is the active low chip select 1 signal for the CF ATA device
CF Chip Select 0	CF_nCS0	O8PU	This pin is the active low chip select 0 signal for the task file registers of CF ATA device in the True IDE mode.
CF Register Address 2	CF_SA2	O8	This pin is the register select address bit 2 for the CF ATA device.
CF Register Address 1	CF_SA1	O8	This pin is the register select address bit 1 for the CF ATA device
CF Register Address 0	CF_SA0	O8	This pin is the register select address bit 0 for the CF ATA device.
CF Interrupt	CF_IRQ	IPD	This is the active high interrupt request signal from the CF device.
CF Data [15:8]	CF_D[15:8]	I/O8PD	The bi-directional data signals CF_D15-CF_D8 in True IDE mode data transfer.  In the True IDE Mode, all of task file register operation occur on the CF_D[7:0], while the data transfer is on CF_D[15:0].  The bi-directional data signal has an internal weak pull-down resistor.
CF Data [7:0]	CF_D[7:0]	I/O8PD	The bi-directional data signals CF_D7-CF_D0 in the True IDE mode data transfer. In the True IDE Mode, all of task file register operation occur on the CF_D[7:0], while the data transfer is on CF_D[15:0].  The bi-directional data signal has an internal weak pull-down resistor.
IO Ready	CF_IORDY	IPU	This pin is active high input signal.  This pin has an internally controlled weak pull-up resistor.
CF Card Detection2	CF_nCD2	IPU	This card detection pin is connected to the ground on the CF device, when the CF device is inserted.  This pin has an internally controlled weak pull-up resistor.
CF Card Detection1	CF_nCD1	IPU	This card detection pin is connected to ground on the CF device, when the CF device is inserted.  This pin has an internally controlled weak pull-up resistor.
CF Hardware Reset	CF_nRESET	O8	This pin is an active low hardware reset signal to CF device.

NAME	SYMBOL	BUFFER TYPE	DESCRIPTION
CF IO Read	CF_nIOR	O8	This pin is an active low read strobe signal for CF device.
CF IO Write Strobe	CF_nIOW	O8	This pin is an active low write strobe signal for CF device.
<b>SmartMedia INTERFACE</b>			
SM Write Protect	SM_nWP	O8PD	This pin is an active low write protect signal for the SM device.  This pin has a weak pull-down resistor that is permanently enabled
SM Address Strobe	SM_ALE	O8PD	This pin is an active high Address Latch Enable signal for the SM device.  This pin has a weak pull-down resistor that is permanently enabled
SM Command Strobe	SM_CLE	O8PD	This pin is an active high Command Latch Enable signal for the SM device.  This pin has a weak pull-down resistor that is permanently enabled
SM Data[7:0]	SM_D[7:0]	I/O8PD	These pins are the bi-directional data signal SM_D7-SM_D0.  The bi-directional data signal has an internal weak pull-down resistor.
SM Read Enable	SM_nRE	O8PU	This pin is an active low read strobe signal for SM device.  When using the internal FET, this pin has an internal weak pull-up resistor that is tied to the output of the internal Power FET.
		O8	If an external FET is used (Internal FET is disabled), then the internal pull-up is not available (external pull-ups must be used, and should be connected to the applicable Card Power Supply).
SM Write Enable	SM_nWE	O8PU	This pin is an active low write strobe signal for SM device.  When using the internal FET, this pin has an internal weak pull-up resistor that is tied to the output of the internal Power FET.
		O8	If an external FET is used (Internal FET is disabled), then the internal pull-up is not available (external pull-ups must be used, and should be connected to the applicable Card Power Supply).
SM Write Protect Switch	SM_nWPS	IPU	A write-protect seal is detected, when this pin is low.  This pin has an internally controlled weak pull-up resistor.
SM Busy or Data Ready	SM_nB/R	I	This pin is connected to the BSY/RDY pin of the SM device.  An external pull-up resistor is required on this signal. The pull-up resistor must be pulled up to the same power source that powers the SM/NAND flash device.



## Datasheet

NAME	SYMBOL	BUFFER TYPE	DESCRIPTION
SM Chip Enable	SM_nCE	O8PU	This pin is the active low chip enable signal to the SM device.  When using the internal FET, this pin has an internal weak pull-up resistor that is tied to the output of the internal Power FET.
		O8	If an external FET is used (Internal FET is disabled), then the internal pull-up is not available (external pull-ups must be used, and should be connected to the applicable Card Power Supply).
SM Card Detection	SM_nCD	IPU	This is the card detection signal from SM device to indicate if the device is inserted.  This pin has an internally controlled weak pull-up resistor.
<b>MEMORY STICK INTERFACE</b>			
MS Bus State	MS_BS	O8	This pin is connected to the BS pin of the MS device.  It is used to control the Bus States 0, 1, 2 and 3 (BS0, BS1, BS2 and BS3) of the MS device.
MS System Data In/Out	MS_SDIO/MS_D0	I/O8PD	This pin is a bi-directional data signal for the MS device.  Most significant bit (MSB) of each byte is transmitted first by either MSC or MS device.  The bi-directional data signal has an internal weak pull-down resistor.
MS System Data In/Out	MS_D1	I/O8PD	This pin is a bi-directional data signal for the MS device.  This pin has internally controlled weak pull-up and pull-down resistors for various operational modes.
MS System Data In/Out	MS_D[3:2]	I/O8PD	This pin is a bi-directional data signal for the MS device.  The bi-directional data signal has an internal weak pull-down resistor.
MS Card Insertion	MS_INS	IPU	This pin is the card detection signal from the MS device to indicate, if the device is inserted.  This pin has an internally controlled weak pull-up resistor.
MS System CLK	MS_SCLK	O8	This pin is an output clock signal to the MS device.  The clock frequency is software configurable.
<b>SD INTERFACE</b>			
SD Data [3:0]	SD_DAT[3:0]	I/O8PU	These are bi-directional data signals.  These pins have internally controlled weak pull-up resistors.
SD Clock	SD_CLK	O8	This is an output clock signal to SD/MMC device.  The clock frequency is software configurable.

NAME	SYMBOL	BUFFER TYPE	DESCRIPTION
SD Command	SD_CMD	I/O8PU	This is a bi-directional signal that connects to the CMD signal of SD/MMC device.  This pin has an internally controlled weak pull-up resistor.
SD Write Protected	SD_nWP	IPD	This pin is an input signal with an internal weak pull-down.  This pin has an internally controlled weak pull-down resistor.
<b>MISC</b>			
General Purpose I/O	GPIO1	I/O8	This pin may be used either as input, edge sensitive interrupt input, or output.
General Purpose I/O	GPIO2	I/O8	This pin may be used either as input, edge sensitive interrupt input, or output.
General Purpose I/O	GPIO4	I/O8	This pin may be used either as input, edge sensitive interrupt input, or output.
General Purpose I/O	GPIO5	I/O8	This pin may be used either as input, edge sensitive interrupt input, or output.
GPIO6	GPIO6	IPU	This pin has an internal weak pull-up resistor that is enabled or disabled by the state of RESET_N. The pull-up is enabled when RESET_N is active. The pull-up is disabled, when the RESET_N is inactive (some clock cycles later, after the rising edge of RESET_N).  The state of this pin is latched internally on the rising edge of RESET_N to determine if internal or external program memory is used. The state latched is stored in ROMEN bit of GPIO_IN1 register.
		I/O8	After the rising edge of RESET_N, this pin may be used as GPIO6. When this pin is left unconnected or pulled high by a weak pull-up resistor, the USB2601/USB2602 uses the internal ROM for program execution.  This pin may be used either as input, edge sensitive interrupt input, or output.
General Purpose I/O	GPIO7	I/O8	This pin may be used either as input, edge sensitive interrupt input, or output.
General Purpose I/O Or Card Power	GPIO8/ CRD_PWR0	I/O8	GPIO: This pin may be used either as input, edge sensitive interrupt input, or output.
			CRD_PWR: Card Power drive of 3.3V @ 100mA.
General Purpose I/O	GPIO9	I/O8	This pin may be used either as input, edge sensitive interrupt input, or output.
General Purpose I/O Or Card Power	GPIO10/ CRD_PWR1	I/O8	GPIO: This pin may be used either as input, edge sensitive interrupt input, or output.
			CRD_PWR: Card Power drive of 3.3V @ 100mA.

## Datasheet

NAME	SYMBOL	BUFFER TYPE	DESCRIPTION
General Purpose I/O Or Card Power	GPIO11/ CRD_PWR2	I/O8	GPIO: These pins may be used either as input, edge sensitive interrupt input, or output.
			CRD_PWR: Card Power drive of 3.3V @ 200mA.
General Purpose I/O	GPIO[15:12]	I/O8	These pins may be used either as input, or output.
RESET input	RESET_N	IS	This active low signal is used by the system to reset the chip. The active low pulse should be at least 1 $\mu$ s wide.
TEST Input	TEST	IPD	Used for testing the IC. User must treat either as a no-connect, or connect to the ground.
USB Transceiver Bias	RBIAS	I	A 12.0k $\Omega$ , $\pm$ 1.0% resistor is attached from VSS to this pin, in order to set the transceiver's internal bias currents.
Analog Test	ATEST	AIO	This signal is used for testing the analog section of the chip and should be connected to VDDA33 for normal operation.
Crystal Input/External Clock Input	XTAL1/ CLKIN	ICLKx	24MHz Crystal or external clock input. This pin can be connected to one terminal of the crystal or can be connected to an external 24MHz clock when a crystal is not used. <b>Note:</b> The 'SEL_CLKDRV and CLK_SEL[1:0]' pins will be sampled while RESET_N is asserted, and the value will be latched upon RESET_N negation. This will determine the clock source and value.
Crystal Output	XTAL2	OCLKx	24MHz Crystal This is the other terminal of the crystal, or left open when an external clock source is used to drive XTAL1/CLKIN. It may not be used to drive any external circuitry other than the crystal circuit.
Select Clock Drive	SEL_CLKDRV	I/O8PD	SEL_CLKDRV. During RESET_N assertion, this pin will select the operating clock mode (crystal or externally driven clock source), and a weak pull-down resistor is enabled. When RESET_N is negated, the value will be internally latched and the internal pull-down will be disabled.  '0' = Crystal operation (24MHz) '1' = Externally driven clock source (24MHz)
Clock Select	CLK_SEL[1:0]	I/O8PD	SEL[1:0]. During RESET_N assertion, these pins will select the operating frequency of the external clock, and the corresponding weak pull-down resistors are enabled. When RESET_N is negated, the value on these pins will be internal latched and the internal pull-downs will be disabled.  SEL[1:0] = '00'. 24MHz SEL[1:0] = '01'. RESERVED SEL[1:0] = '10'. RESERVED SEL[1:0] = '11'. RESERVED
<b>ANALOG POWER</b>			
1.8V PLL Power	VDD18PLL		1.8V Output from the internal 1.8V PLL regulator
3.3V PLL Power	VDD33PLL		3.3V Input to the internal 1.8V PLL regulator.

NAME	SYMBOL	BUFFER TYPE	DESCRIPTION
3.3V Analog Power	VDDA33		3.3v Analog PHY Power
<b>DIGITAL POWER, GROUNDS, and NO CONNECTS</b>			
1.8V Digital Core Power	VDD18		+1.8V Core power All VDD18 pins must be connected together on the circuit board.
3.3v Power & Voltage Regulator Input	VDD33		3.3V Power & Regulator Input. Pin 87 supplies 3.3V power to the internal 1.8V regulator.
Ground	VSS		Ground Reference
No Connect	NC		No Connect. No trace or signal should be routed/attached to these pins.

**Notes:**

- Hot-insertion capable card connectors are required for all flash media. It is required for SD connector to have Write Protect switch. This allows the chip to detect MMC card.
- nMCE is normally asserted except when the 8051 is in standby mode.

## 6.2 Buffer Type Descriptions

**Table 6.1 USB2601/USB2602 Buffer Type Descriptions**

BUFFER	DESCRIPTION
I	Input
IPU	Input with internal weak pull-up resistor.
IPD	Input with internal weak pull-down resistor.
IS	Input with Schmitt trigger
I/O8	Input/Output buffer with 8mA sink and 8mA source.
I/O8PU	Input/Output buffer with 8mA sink and 8mA source, with an internal weak pull-up resistor.
I/O8PD	Input/Output buffer with 8mA sink and 8mA source, with an internal weak pull-down resistor.
I/O12	Input/Output, 12mA
O8	Output buffer with 8mA sink and 8mA source.
O8PU	Output buffer with 8mA sink and 8mA source, with an internal weak pull-up resistor.
O8PD	Output buffer with 8mA sink and 8mA source, with an internal weak pull-down resistor.
ICLKx	XTAL clock input
OCLKx	XTAL clock output
I/O-U	Analog Input/Output Defined in USB specification
AIO	Analog Input/Output

## Chapter 7 DC Parameters

### 7.1 Maximum Guaranteed Ratings

Operating Temperature Range*	0°C to +70°C
Storage Temperature Range	-55° to +150°C
Lead Temperature Range (soldering, 10 seconds)	+325°C
Positive Voltage on GPIO3, with respect to Ground	5.5V
Positive Voltage on any signal pin, with respect to Ground	4.6V
Positive Voltage on XTAL1, with respect to Ground	4.0V
Negative Voltage on GPIO8, 10 & 11, with respect to Ground (see <a href="#">Note 7.2</a> )	-0.5V
Negative Voltage on any pin, with respect to Ground	-0.5V
Maximum $V_{DD18}$ , $V_{DD18PLL}$	+2.5V
Maximum $V_{DD33}$ , $V_{DDA33}$	+4.6V

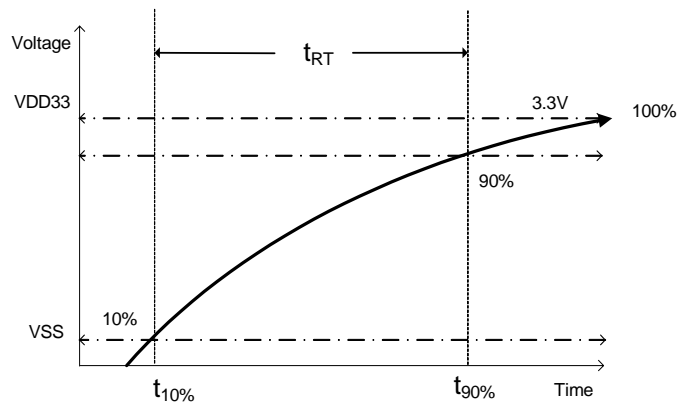
\*Stresses above the specified parameters could cause permanent damage to the device. This is a stress rating only and functional operation of the device at any other condition above those indicated in the operation sections of this specification is not implied.

**Note 7.1** When powering this device from laboratory or system power supplies, it is important that the Absolute Maximum Ratings not be exceeded or device failure can result. Some power supplies exhibit voltage spikes on their outputs when the AC power is switched on or off. In addition, voltage transients on the AC power line may appear on the DC output. When this possibility exists, it is suggested that a clamp circuit be used.

**Note 7.2** When internal power FET operation of these pins is enabled, these pins may be simultaneously shorted to ground or any voltage up to 3.63V indefinitely, without damage to the device as long as  $V_{DD33}$  and  $V_{DDA33}$  are less than 3.63V and  $T_A$  is less than 70°C.

## 7.2 Operating Conditions

PARAMETER	SYMBOL	MIN	MAX	UNITS	COMMENTS
Operating Temperature	$T_A$	0	70	°C	*Ambient temperature in still air.
1.8V supply voltage	$V_{DD18}$ , $V_{DD18PLL}$	1.62	1.98	V	
3.3V supply voltage	$V_{DD33}$ , $V_{DDA33}$	3.0	3.6	V	
3.3V supply rise time	$t_{RT}$	0	400	$\mu$ s	(See Figure 7.1, "Supply Rise Time Model")
Voltage on XTAL1		-0.3	$V_{DDA33}$	V	



**Figure 7.1 Supply Rise Time Model**

**Note 7.3** When powering the device, the maximum power supply ramp time should be set at a rate faster than 400 micro seconds. This speed is important to ensure that the device resets properly. Measure rise time at 10% and 90%.

## 7.3 DC Electrical Characteristics

PARAMETER	SYMBOL	MIN	TYP	MAX	UNITS	COMMENTS
<b>I,I<sub>PU</sub> &amp; IPD Type Input Buffer</b>						
Low Input Level	$V_{ILI}$			0.8	V	TTL Levels
High Input Level	$V_{IHI}$	2.0			V	
Pull Down	PD		72		$\mu$ A	
Pull Up	PU		58		$\mu$ A	

## Datasheet

PARAMETER	SYMBOL	MIN	TYP	MAX	UNITS	COMMENTS
<b>IS Type Input Buffer</b>						
Low Input Level	$V_{ILI}$			0.8	V	TTL Levels
High Input Level	$V_{IHI}$	2.0			V	
Hysteresis	$V_{HYSI}$		500		mV	
<b>ICLK Input Buffer</b>						
Low Input Level	$V_{ILCK}$			0.4	V	
High Input Level	$V_{IHCK}$	2.2			V	
<b>Input Leakage (All I and IS buffers)</b>						
Low Input Leakage	$I_{IL}$	-10		+10	$\mu$ A	$V_{IN} = 0$
High Input Leakage	$I_{IH}$	-10		+10	mA	$V_{IN} = V_{DD33}$
<b>O8, O8PU &amp; O8PD Type Buffer</b>						
Low Output Level	$V_{OL}$			0.4	V	$I_{OL} = 8 \text{ mA @ } V_{DD33} = 3.3\text{V}$
High Output Level	$V_{OH}$	$V_{DD33} - 0.4$			V	$I_{OH} = -8\text{mA @ } V_{DD33} = 3.3\text{V}$
Output Leakage	$I_{OL}$	-10		+10	$\mu$ A	$V_{IN} = 0 \text{ to } V_{DD33}$ (Note 7.4)
Pull Down	PD		72		$\mu$ A	
Pull Up	PU		58		$\mu$ A	
<b>I/O8, I/O8PU &amp; I/O8PD Type Buffer</b>						
Low Output Level	$V_{OL}$			0.4	V	$I_{OL} = 8 \text{ mA @ } V_{DD33} = 3.3\text{V}$
High Output Level	$V_{OH}$	$V_{DD33} - 0.4$			V	$I_{OH} = -8 \text{ mA @ } V_{DD33} = 3.3\text{V}$
Output Leakage	$I_{OL}$	-10		+10	$\mu$ A	$V_{IN} = 0 \text{ to } V_{DD33}$ (Note 7.4)
Pull Down	PD		72		$\mu$ A	
Pull Up	PU		58		$\mu$ A	

PARAMETER	SYMBOL	MIN	TYP	MAX	UNITS	COMMENTS
I/O12 Type Buffer						
Low Output Level	$V_{OL}$			0.4	V	$I_{OL} = 12\text{mA} @$ $V_{DD33} = 3.3\text{V}$
High Output Level	$V_{OH}$	2.4			V	
Output Leakage	$I_{OL}$			+10	$\mu\text{A}$	
						$I_{OH} = -4\text{mA} @$ $V_{DD33} = 3.3\text{V}$
						$V_{IN} = 0 \text{ to } V_{DD33}$ (Note 1)
<b>IO-U</b> (Note 7.5)						
<b>Integrated Power FET for GPIO8 &amp; GPIO10</b>						
Output Current	$I_{OUT}$	100			mA	GPIO8, or 10; $V_{dropFET} = 0.23\text{V}$
Short Circuit Current Limit	$I_{SC}$			140	mA	GPIO8, or 10; $V_{outFET} = 0\text{V}$
On Resistance	$R_{DSON}$			2.1	$\Omega$	GPIO8, or 10; $I_{FET} = 70\text{mA}$
Output Voltage Rise Time	$t_{DSON}$			800	$\mu\text{s}$	GPIO8, or 10; $C_{LOAD} = 10\mu\text{F}$
<b>Integrated Power FET for GPIO11</b>						
Output Current	$I_{OUT}$	200			mA	GPIO11; $V_{dropFET} = 0.46\text{V}$
Short Circuit Current Limit	$I_{SC}$			181	mA	GPIO11; $V_{outFET} = 0\text{V}$
On Resistance	$R_{DSON}$			2.1	$\Omega$	GPIO11; $I_{FET} = 70\text{mA}$
Output Voltage Rise Time	$t_{DSON}$			800	$\mu\text{s}$	GPIO11; $C_{LOAD} = 10\mu\text{F}$
Supply Current Hub, Card Reader, Unconfigured						
High-Speed Host	$I_{CCINIT}$		90		mA	
Full-Speed Host	$I_{CCINIT}$		83		mA	



## Datasheet

PARAMETER	SYMBOL	MIN	TYP	MAX	UNITS	COMMENTS
Supply Current Configured (High-Speed Host)  3 Ext Ports @HS Card Reader Active			302		mA	Total from all supplies
Supply Current Configured (High-Speed Host)  1 Ext Port @HS Card Reader Active			242		mA	Total from all supplies
Supply Current Configured (Full-Speed Host)  1 Ext Port @ FS/LS Card Reader Active			200		mA	Total from all supplies
Supply Current Suspend	$I_{CSBY}$		298		$\mu A$	Total from all supplies.
Supply Current Reset	$I_{RST}$		91		$\mu A$	Total from all supplies.

**Note 7.4** Output leakage is measured with the current pins in high impedance.

**Note 7.5** See Appendix A for USB DC electrical characteristics.

**Note 7.6** The Maximum power dissipation parameters of the package should not be exceeded

**Note 7.7** The assignment of each Integrated Card Power FET to a designated Card Connector is controlled by both firmware and the specific board implementation. Firmware will default to the settings listed in [Table 9.1, "GPIO Usage \(ROM Rev -01\)," on page 29](#)

## 7.4 Capacitance

$T_A = 25^\circ\text{C}$ ;  $f_c = 1\text{MHz}$ ;  $V_{DD18}, V_{DD18PLL} = 1.8\text{V}$

PARAMETER	SYMBOL	LIMITS			UNIT	TEST CONDITION
		MIN	TYP	MAX		
Clock Input Capacitance	$C_{IN}$			20	pF	All pins except USB pins (and pins under test tied to AC ground)
Input Capacitance	$C_{IN}$			10	pF	
Output Capacitance	$C_{OUT}$			20	pF	

## Chapter 8 Package Information

### 8.1 Package Outline

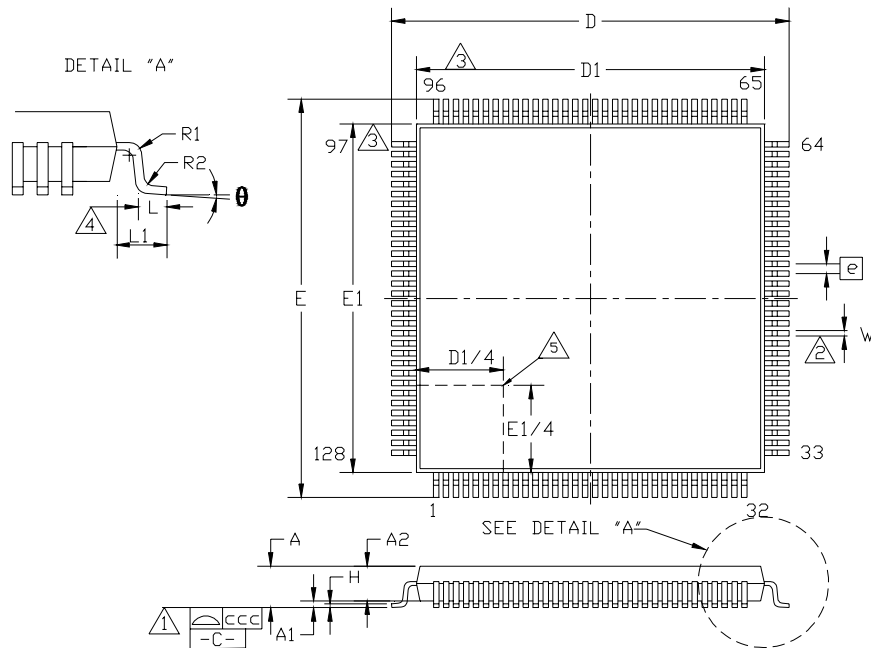


Figure 8.1 USB2601/USB2602 128-Pin TQFP Package Outline

Table 8.1 USB2601/USB2602 128-Pin TQFP Package Parameters

	MIN	NOMINAL	MAX	REMARKS
A	~	~	1.20	Overall Package Height
A1	0.05	~	0.15	Standoff
A2	0.95	~	1.05	Body Thickness
D	15.80	~	16.20	X Span
D1	13.80	~	14.20	X body Size
E	15.80	~	16.20	Y Span
E1	13.80	~	14.20	Y body Size
H	0.09	~	0.20	Lead Frame Thickness
L	0.45	0.60	0.75	Lead Foot Length
L1	~	1.00	~	Lead Length
e	0.40 Basic			Lead Pitch
q	0°	~	7°	Lead Foot Angle
W	0.13	0.18	0.23	Lead Width
R1	0.08	~	~	Lead Shoulder Radius
R2	0.08	~	0.20	Lead Foot Radius
ccc	~	~	0.08	Coplanarity

**Notes:**

- Controlling Unit: millimeter.
- Tolerance on the true position of the leads is  $\pm 0.035$  mm maximum.  
Package body dimensions D1 and E1 do not include the mold protrusion.
- Maximum mold protrusion is 0.25 mm.
- Dimension for foot length L measured at the gauge plane 0.25 mm above the seating plane.
- Details of pin 1 identifier are optional but must be located within the zone indicated.

## 8.2 Package Thermal Specifications

Table 8.2 128-Pin TQFP Package Thermal Parameters

PARAMETER	SYMBOL	VALUE	UNIT	COMMENTS
Thermal Resistance	$\Theta_{JA}$	53.1	°C/W	From the die to the ambient air
Junction-to-Top-of-Package	$\Theta_{JT}$	0.3	°C/W	

## Chapter 9 GPIO Usage

**Table 9.1 GPIO Usage (ROM Rev -01)**

NAME	ACTIVE LEVEL	SYMBOL	DESCRIPTION AND NOTE
GPIO1	H	Flash Media Activity LED/ xD_Door	Indicates media activity. Media or USB cable must not be removed with LED lit. Also may be used for xD Door functionality.
GPIO2	H	EE_CS	Serial EE PROM chip select.
GPIO3	H	V_BUS	USB V bus detect.
GPIO4	H	EE_DIN/EE_DOUT/xDID	Serial EE PROM input/output and xD Identify.
GPIO5	H	HS_IND/SD_CD	HS Indicator LED or SD Card Detect Switch input.
GPIO6	H	A16/ROMEN	A16 address line connect for DFU or debug LED indicator optional.
GPIO7	H	EE_CLK/ UNCONF_LED	Serial EE PROM clock output or Unconfigured LED.
GPIO8	L	MS_PWR_CTRL/ CRD_PWR0	Memory Stick Card Power Control, or Internal Power FET0.
GPIO9	L	CF_PWR_CTRL	CompactFlash Card Power Control.
GPIO10	L	SM_PWR_CTRL/ CRD_PWR1	SmartMedia Card Power Control, or Internal Power FET1.
GPIO11	L	SD/MMC_PWR_CTRL/ CRD_PWR2	SD/MMC Card Power Control, or Internal Power FET2.
GPIO12	H	MS_ACT_IND/ Media Activity	Memory Stick Activity Indicator, or Media Activity LED.
GPIO13	H	CF_ACT_IND	CompactFlash Activity Indicator.
GPIO14	H	SM_ACT_IND	SmartMedia Activity Indicator.
GPIO15	H	SD/MMC_ACT_IND	SD/MMC Activity Indicator.

# Mouser Electronics

Authorized Distributor

Click to View Pricing, Inventory, Delivery & Lifecycle Information:

[Microchip:](#)

[USB2602-NU-05](#) [USB2601-NU-06](#) [USB2601-NU-05](#) [USB2602-NU-06](#)

Компания «Life Electronics» занимается поставками электронных компонентов импортного и отечественного производства от производителей и со складов крупных дистрибьюторов Европы, Америки и Азии.

С конца 2013 года компания активно расширяет линейку поставок компонентов по направлению коаксиальный кабель, кварцевые генераторы и конденсаторы (керамические, пленочные, электролитические), за счёт заключения дистрибьюторских договоров

Мы предлагаем:

- Конкуренспособные цены и скидки постоянным клиентам.
- Специальные условия для постоянных клиентов.
- Подбор аналогов.
- Поставку компонентов в любых объемах, удовлетворяющих вашим потребностям.
- Приемлемые сроки поставки, возможна ускоренная поставка.
- Доставку товара в любую точку России и стран СНГ.
- Комплексную поставку.
- Работу по проектам и поставку образцов.
- Формирование склада под заказчика.
- Сертификаты соответствия на поставляемую продукцию (по желанию клиента).
- Тестирование поставляемой продукции.
- Поставку компонентов, требующих военную и космическую приемку.
- Входной контроль качества.
- Наличие сертификата ISO.

В составе нашей компании организован Конструкторский отдел, призванный помогать разработчикам, и инженерам.

Конструкторский отдел помогает осуществить:

- Регистрацию проекта у производителя компонентов.
- Техническую поддержку проекта.
- Защиту от снятия компонента с производства.
- Оценку стоимости проекта по компонентам.
- Изготовление тестовой платы монтаж и пусконаладочные работы.



Тел: +7 (812) 336 43 04 (многоканальный)  
Email: [org@lifeelectronics.ru](mailto:org@lifeelectronics.ru)