

AMIS-30623

Micro-stepping Motor Driver

INTRODUCTION

The AMIS-30623 is a single-chip micro-stepping motordriver with position controller and control/diagnostic interface. It is ready to build dedicated mechatronics solutions connected remotely with a LIN master.

The chip receives positioning instructions through the bus and subsequently drives the motor coils to the desired position. The on-chip position controller is configurable (OTP or RAM) for different motor types, positioning ranges and parameters for speed, acceleration and deceleration. The AMIS-30623 acts as a slave on the LIN bus and the master can fetch specific status information like actual position, error flags, etc. from each individual slave node.

An integrated sensor-less step-loss detection prevents the positioner from loosing steps and stops the motor when running into stall. This enables silent, yet accurate position calibrations during a referencing run and allows semi-closed loop operation when approaching the mechanical end-stops.

The chip is implemented in I2T100 technology, enabling both high voltage analog circuitry and digital functionality on the same chip. The AMIS-30623 is fully compatible with the automotive voltage requirements.

PRODUCT FEATURES

Motordriver

- Micro-stepping Technology
- Sensorless Step-loss Detection
- Peak Current up to 800 mA
- Fixed Frequency PWM Current-control
- Automatic Selection of Fast and Slow Decay Mode
- No external Fly-back Diodes Required
- Compliant with 14 V Automotive Systems and Industrial Systems up to 24 V
- Motion Qualification Mode (Note 1)

Controller with RAM and OTP Memory

- Position Controller
- Configurable Speeds and Acceleration
- Input to Connect Optional Motion Switch

LIN Interface

- Physical Layer Compliant to LIN rev. 2.0. Data-link Layer Compatible with LIN rev. 1.3 (Note 2)
- Field-programmable Node Addresses
- Dynamically Allocated Identifiers
- Diagnostics and Status Information

Protection

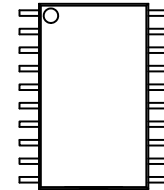
- Overcurrent Protection
- Undervoltage Management

1. Not applicable for "Product Versions AMIS30623C6238(R)G, AMIS30623C623B(R)G"
2. Minor exceptions to the conformance of the data-link layer to LIN rev. 1.3.

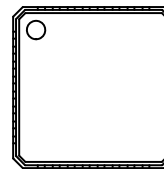


ON Semiconductor®

<http://onsemi.com>



SOIC-20
8 or 9 SUFFIX
CASE 751AQ



NQFP-32
A or B SUFFIX
CASE 560AA

ORDERING INFORMATION

See detailed ordering and shipping information in the package dimensions section on page 2 of this data sheet.

- Open-circuit Detection
- High Temperature Warning and Management
- Low Temperature Flag
- LIN Bus Short-circuit Protection to Supply and Ground
- Lost LIN Safe Operation

Power Saving

- Powerdown Supply Current < 100 μ A
- 5 V Regulator with Wake-up On LIN Activity

EMI Compatibility

- LIN Bus Integrated Slope Control
- HV Outputs with Slope Control

Patents

- US 7,271,993
- US 7,288,956
- This is a Pb-Free Device

AMIS-30623

APPLICATIONS

The AMIS-30623 is ideally suited for small positioning applications. Target markets include: automotive (headlamp alignment, HVAC, idle control, cruise control), industrial equipment (lighting, fluid control, labeling, process control, XYZ tables, robots...) and building automation (HVAC,

surveillance, satellite dish, renewable energy systems). Suitable applications typically have multiple axes or require mechatronics solutions with the driver chip mounted directly on the motor.

Table 1. ORDERING INFORMATION

| Part No. | Peak Current | End Market/Version | Package* | Shipping† |
|------------------|--------------|---|---------------------------------|-------------|
| AMIS30623C6239G | 800 mA | Industrial High Voltage Version | SOIC-20 (Pb-Free) | Tube/Tray |
| AMIS30623C6239RG | 800 mA | | SOIC-20 (Pb-Free) | Tape & Reel |
| AMIS30623C623AG | 800 mA | | NQFP-32 (7 x 7 mm) (Pb-Free) | Tube/Tray |
| AMIS30623C623ARG | 800 mA | | NQFP-32 (7 x 7 mm) (Pb-Free) | Tape & Reel |
| AMIS30623C6238G | 800 mA | Automotive High Temperature Version | SOIC-20 (Pb-Free) | Tube/Tray |
| AMIS30623C6238RG | 800 mA | | SOIC-20 (Pb-Free) | Tape & Reel |
| AMIS30623C623BG | 800 mA | | NQFP-32 (7 x 7 mm) (Pb-Free) | Tube/Tray |
| AMIS30623C623BRG | 800 mA | | NQFP-32 (7 x 7 mm) (Pb-Free) | Tape & Reel |

*For additional information on our Pb-Free strategy and soldering details, please download the ON Semiconductor Soldering and Mounting Techniques Reference Manual, SOLDERRM/D.

†For information on tape and reel specifications, including part orientation and tape sizes, please refer to our Tape and Reel Packaging Specification Brochure, BRD8011/D.

QUICK REFERENCE DATA

Table 2. ABSOLUTE MAXIMUM RATINGS

| Parameter | | Min | Max | Unit |
|---|--|------|--------------|------|
| V _{BB} , V _{HW2} , V _{SWI} | Supply voltage, hardwired address and SWI pins | -0.3 | +40 (Note 3) | V |
| V _{lin} | Bus input voltage | -40 | +40 | V |
| T _J | Junction temperature range (Note 4) | -50 | +175 | °C |
| T _{st} | Storage temperature | -55 | +160 | °C |
| V _{esd} (Note 5) | HBM Electrostatic discharge voltage on LIN pin | -4 | +4 | kV |
| | HBM Electrostatic discharge voltage on other pins (Note 6) | -2 | +2 | kV |
| | MM Electrostatic discharge voltage on other pins (Note 7) | -200 | +200 | V |

Stresses exceeding Maximum Ratings may damage the device. Maximum Ratings are stress ratings only. Functional operation above the Recommended Operating Conditions is not implied. Extended exposure to stresses above the Recommended Operating Conditions may affect device reliability.

Table 3. OPERATING RANGES

| Parameter | | Min | Max | Unit |
|-----------------|-----------------------------|------|------|------|
| V _{BB} | Supply voltage | +6.5 | +29 | V |
| T _J | Operating temperature range | -40 | +165 | °C |

3. For limited time: V_{BB} <0.5 s, SWI and HW2 pins <1.0 s.

4. The circuit functionality is not guaranteed.

5. HBM according to AEC-Q100: EIA-JESD22-A114-B (100 pF via 1.5 kΩ) and MM according to AEC-Q100: EIA-JESD22-A115-A.

6. Tested on AMIS30623C6238(R)G version.

7. Tested on AMIS30623C623B(R)G version.

Table of Contents

| | | | |
|----------------------------|----|--|----|
| General Description | 1 | Structural Description | 13 |
| Product Features | 1 | Functions Description | 14 |
| Applications | 2 | Position Controller | 14 |
| Ordering Information | 2 | Main Control and Register | 21 |
| Quick Reference Data | 2 | Autarkic Functionality in Undervoltage Condition | 23 |
| Maximum Ratings | 2 | OTP Register | 24 |
| Block Diagram | 3 | Priority Encoder | 29 |
| Pin Description | 4 | Motordriver | 31 |
| Package Thermal Resistance | 5 | LIN Controller | 36 |
| DC Parameters | 6 | LIN Lost Behavior | 41 |
| AC Parameters | 8 | LIN Application Commands | 44 |
| Typical Application | 9 | Application Commands | 45 |
| Positioning Parameters | 10 | Package Outlines | 59 |

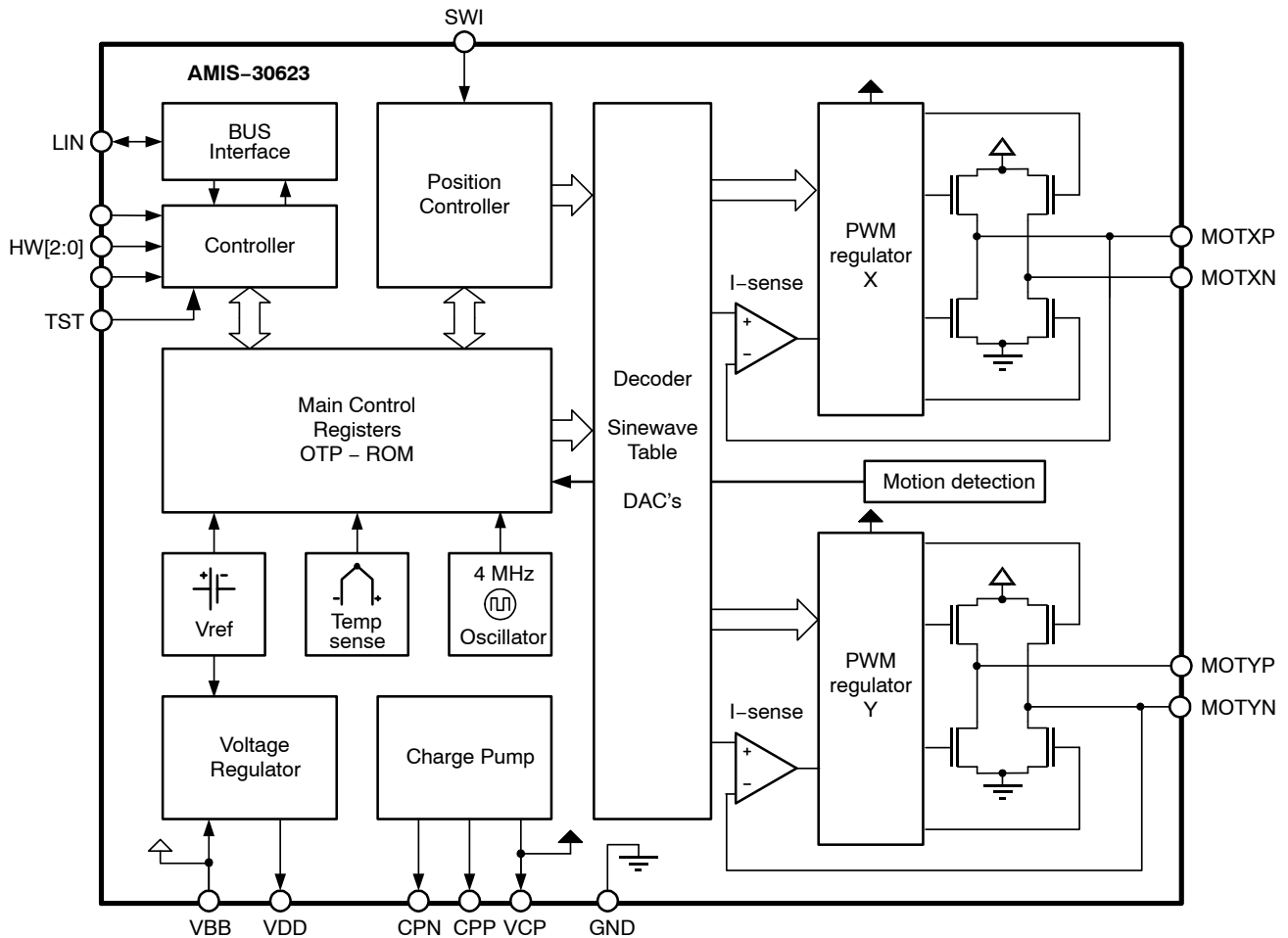


Figure 1. Block Diagram

AMIS-30623

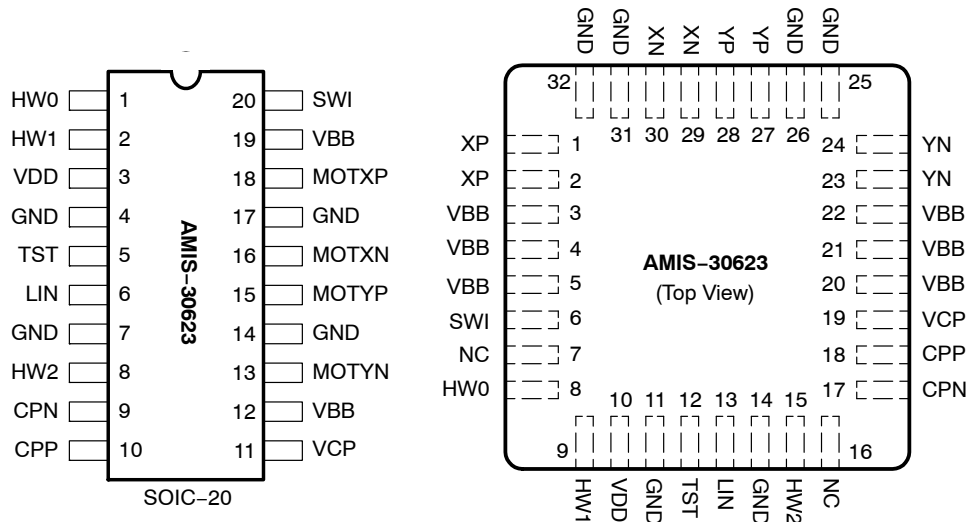


Figure 2. SOIC-20 and NQFP-32 Pin-out

Table 4. PIN DESCRIPTION

| Pin Name | Pin Description | SOIC-20 | NQFP-32 |
|-----------------|---|--------------|------------------------|
| HW0 | Bit 0 of LIN-ADD | 1 | 8 |
| HW1 | Bit 1 of LIN-ADD | | |
| VDD | Internal supply (needs external decoupling capacitor) | 3 | 10 |
| GND | Ground, heat sink | 4, 7, 14, 17 | 11, 14, 25, 26, 31, 32 |
| TST | Test pin (to be tied to ground in normal operation) | 5 | 12 |
| LIN | LIN-bus connection | 6 | 13 |
| HW2 | Bit 2 LIN-ADD | 8 | 15 |
| CPN | Negative connection of pump-capacitor (charge pump) | 9 | 17 |
| CPP | Positive connection of pump-capacitor (charge pump) | 10 | 18 |
| VCP | Charge-pump filter-capacitor | 11 | 19 |
| V _{BB} | Battery voltage supply | 12, 19 | 3, 4, 5, 20, 21, 22 |
| MOTYN | Negative end of phase Y coil | 13 | 23, 24 |
| MOTYP | Positive end of phase Y coil | 15 | 27, 28 |
| MOTXN | Negative end of phase X coil | 16 | 29, 30 |
| MOTXP | Positive end of phase X coil | 18 | 1, 2 |
| SWI | Switch input | 20 | 6 |
| NC | Not connected (to be tied to ground) | | 7, 16 |

PACKAGE THERMAL RESISTANCE

The AMIS-30623 is available in SOIC-20 and optimized NQFP-32 packages. For cooling optimizations, the NQFP has an exposed thermal pad which has to be soldered to the PCB ground plane. The ground plane needs thermal vias to conduct the heat to the bottom layer. Figures 3 and 4 give examples for good power distribution solutions.

For precise thermal cooling calculations the major thermal resistances of the devices are given. The thermal media to which the power of the devices has to be given are:

- Static environmental air (via the case)
- PCB board copper area (via the device pins and exposed pad)

The thermal resistances are presented in Table 5: DC Parameters.

| Package | Rth Junction-to-Leads and Exposed Pad - Rthjp | Rth Junction-to-Leads Rthjp | Rth Junction-to-Ambient Rthja (1SOP) | Rth Junction-to-Ambient Rthja (2S2P) |
|---------|---|-----------------------------|--------------------------------------|--------------------------------------|
| SOIC-20 | | 19 | 62 | 39 |
| NQFP-32 | 0,95 | | 60 | 30 |

The Rthja for 2S2P is simulated conform to JESD-51 as follows:

- A 4-layer printed circuit board with inner power planes and outer (top and bottom) signal layers is used
- Board thickness is 1.46 mm (FR4 PCB material)
- The 2 signal layers: 70 μm thick copper with an area of 5500 mm² copper and 20% conductivity

The major thermal resistances of the device are the Rth from the junction to the ambient (Rthja) and the overall Rth from the junction to the leads (Rthjp).

The NQFP device is designed to provide superior thermal performance. Using an exposed die pad on the bottom surface of the package is mainly contributing to this performance. In order to take full advantage of the exposed pad, it is most important that the PCB has features to conduct heat away from the package. A thermal grounded pad with thermal vias can achieve this.

In the table below, one can find the values for the Rthja and Rthjp, simulated according to the JESD-51 norm:

- The 2 power internal planes: 36 μm thick copper with an area of 5500 mm² copper and 90% conductivity

The Rthja for 1SOP is simulated conform to JESD-51 as follows:

- A 1-layer printed circuit board with only 1 layer
- Board thickness is 1.46 mm (FR4 PCB material)
- The layer has a thickness of 70 μm copper with an area of 5500 mm² copper and 20% conductivity

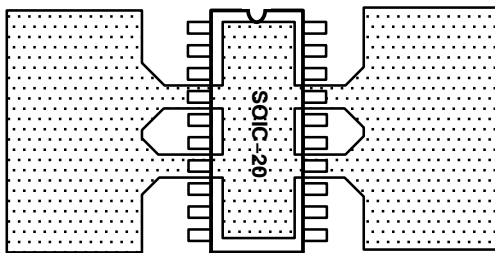


Figure 3. Example of SOIC-20 PCB Ground Plane Layout (preferred layout at top and bottom)

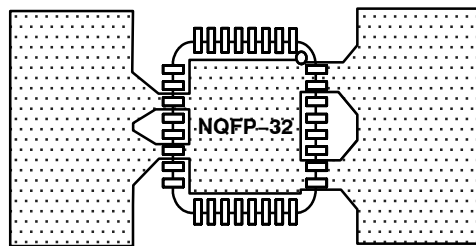


Figure 4. Example of NQFP-32 PCB Ground Plane Layout (preferred layout at top and bottom)

AMIS-30623

DC PARAMETERS

The DC parameters are guaranteed overtemperature and V_{BB} in the operating range, unless otherwise specified. Convention: currents flowing into the circuit are defined as positive.

Table 5. DC PARAMETERS

| Symbol | Pin(s) | Parameter | Test Conditions | Min | Typ | Max | Unit |
|--------------------|---|--|--|------|------|----------|----------|
| MOTORDRIVER | | | | | | | |
| $I_{MSmax,Peak}$ | MOTXP MOTXN MOTYP MOTYN | Max current through motor coil in normal operation | $V_{BB} = 14\text{ V}$ | | 800 | | mA |
| $I_{MSmax,RMS}$ | | Max rms current through coil in normal operation | $V_{BB} = 14\text{ V}$ | | 570 | | mA |
| I_{MSabs} | | Absolute error on coil current (Note 8) | $V_{BB} = 14\text{ V}$ | -10 | | 10 | % |
| I_{MSrel} | | Matching of X & Y coil currents | $V_{BB} = 14\text{ V}$ | -7 | 0 | 7 | % |
| $R_{DS(on)}$ | | On resistance for each motor pin at I_{MSmax} (Note 9) | $V_{BB} = 12\text{ V}, T_j = 50^\circ\text{C}$ | | 0.50 | 1 | Ω |
| | | | $V_{BB} = 8\text{ V}, T_j = 50^\circ\text{C}$ | | 0.55 | 1 | Ω |
| | $V_{BB} = 12\text{ V}, T_j = 150^\circ\text{C}$ | | | 0.70 | 1 | Ω | |
| | $V_{BB} = 8\text{ V}, T_j = 150^\circ\text{C}$ | | | 0.85 | 1 | Ω | |
| I_{MSL} | | Pulldown current | HiZ mode, $V_{BB} = 7.8\text{ V}$ | | 2 | | mA |

LIN TRANSMITTER

| | | | | | | | |
|----------------|-----|-----------------------------|--|----|----|-----|---------------|
| I_{bus_off} | LIN | Dominant state, driver off | $V_{bus} = 0\text{ V}, V_{BB} = 8\text{ V} \& 18\text{ V}$ | -1 | | | mA |
| I_{bus_off} | | Recessive state, driver off | $V_{bus} = V_{bat}, V_{BB} = 8\text{ V} \& 18\text{ V}$ | | | 20 | μA |
| I_{bus_lim} | | Current limitation | $V_{BB} = 8\text{ V} \& 18\text{ V}$ | 50 | 75 | 130 | mA |
| R_{slave} | | Pullup resistance | $V_{BB} = 8\text{ V} \& 18\text{ V}$ | 20 | 30 | 47 | k Ω |

LIN RECEIVER

| | | | | | | | |
|----------------|-----|--------------------------|--------------------------------------|-----------------|--|------------------|---|
| V_{bus_dom} | LIN | Receiver dominant state | $V_{BB} = 8\text{ V} \& 18\text{ V}$ | 0 | | $0.4 * V_{BB}$ | V |
| V_{bus_rec} | | Receiver recessive state | $V_{BB} = 8\text{ V} \& 18\text{ V}$ | $0.6 * V_{BB}$ | | V_{BB} | V |
| V_{bus_hys} | | Receiver hysteresis | $V_{BB} = 8\text{ V} \& 18\text{ V}$ | $0.05 * V_{BB}$ | | $0.175 * V_{BB}$ | V |

THERMAL WARNING & SHUTDOWN

| | | | | | | | |
|-----------|--|-----------------------------------|--|-----|---------------|----------------|------------------|
| T_{tw} | | Thermal warning (Notes 10 and 11) | | 138 | 145 | 152 | $^\circ\text{C}$ |
| T_{tsd} | | Thermal shutdown (Note 12) | | | $T_{tw} + 10$ | | $^\circ\text{C}$ |
| T_{low} | | Low temperature warning (Note 12) | | | | $T_{tw} - 155$ | $^\circ\text{C}$ |

SUPPLY AND VOLTAGE REGULATOR

| | | | | | | | | |
|--------------|----------|--|--|-----|-----|------|------|---------------|
| V_{bbOTP} | V_{BB} | Supply voltage for OTP zapping (Note 13) | | 9.0 | | 10.0 | V | |
| UV_1 | | Stop voltage high threshold | | 7.8 | 8.4 | 8.9 | V | |
| UV_2 | | Stop voltage low threshold | | 7.1 | 7.5 | 8.0 | V | |
| I_{bat} | | Total current consumption | Unloaded outputs $V_{BB} = 29\text{ V}$ | | | 3.50 | 10.0 | mA |
| I_{bat_s} | | Sleep mode current consumption | $V_{BB} = 8\text{ V} \& 18\text{ V}$ | | | 50 | 100 | μA |

8. Tested in production for 800 mA, 400 mA, 200 mA and 100 mA current settings for both X and Y coil.

9. Not measured in production. Guaranteed by design.

10. Parameter guaranteed by trimming relevant OTP's in production test at $143^\circ\text{C} (\pm 5^\circ\text{C})$ and $V_{BB} = 14\text{ V}$.

11. No more than 100 cumulated hours in life time above T_w .

12. Thermal shutdown and low temperature warning are derived from thermal warning. Guaranteed by design.

13. A buffer capacitor of minimum 100 μF is needed between V_{BB} and GND. Short connections to the power supply are recommended.

Table 5. DC PARAMETERS

| Symbol | Pin(s) | Parameter | Test Conditions | Min | Typ | Max | Unit |
|--------|--------|-----------|-----------------|-----|-----|-----|------|
|--------|--------|-----------|-----------------|-----|-----|-----|------|

SUPPLY AND VOLTAGE REGULATOR

| | | | | | | | |
|---------------|----------|---|---|------|---|------|----|
| V_{DD} | V_{DD} | Regulated internal supply (Note 14) | $8\text{ V} < V_{BB} < 29\text{ V}$ | 4.75 | 5 | 5.50 | V |
| $V_{ddReset}$ | | Digital supply reset level @ power down (Note 15) | | | | 4.5 | V |
| I_{ddLim} | | Current limitation | Pin shorted to ground $V_{BB} = 14\text{ V}$ | | | | 45 |

SWITCH INPUT AND HARDWIRE ADDRESS INPUT

| | | | | | | | |
|---------------|------------|--|---|----|----|----|------------|
| R_{t_OFF} | SWI HW2 | Switch OPEN resistance (Note 16) | | 10 | | | k Ω |
| R_{t_ON} | | Switch ON resistance (Note 16) | Switch to GND or V_{BB} | | | 2 | k Ω |
| V_{bb_sw} | | V_{BB} range for guaranteed operation of SWI and HW2 | | 6 | | 29 | V |
| I_{lim_sw} | | Current limitation | Short to GND or V_{bat} $V_{BB} = 29\text{ V}$ | 20 | 30 | 45 | mA |

HARDWIRED ADDRESS INPUTS AND TEST PIN

| | | | | | | | |
|-------------|-------------------|------------------|------------------------|------------------|--|----------------|---|
| V_{ihigh} | HW0 HW1 TST | Input level high | $V_{BB} = 14\text{ V}$ | $0.7 * V_{dd}$ | | | V |
| V_{ilow} | | Input level low | $V_{BB} = 14\text{ V}$ | | | $0.3 * V_{dd}$ | V |
| HW_{hyst} | | Hysteresis | $V_{BB} = 14\text{ V}$ | $0.075 * V_{dd}$ | | | |

CHARGE PUMP

| | | | | | | | |
|--------------|------------|---------------------------|--|---------------|--------------------|---------------|----|
| V_{cp} | VCP | Output voltage | $6\text{ V} \leq V_{BB} \leq 14\text{ V}$ | | $2 * V_{BB} - 2.5$ | | V |
| | | | $14\text{ V} \leq V_{BB} \leq 30\text{ V}$ | $V_{BB} + 10$ | | $V_{BB} + 15$ | V |
| C_{buffer} | | External buffer capacitor | | 220 | | 470 | nF |
| C_{pump} | CPP CPN | External pump capacitor | | 220 | | 470 | nF |

MOTION QUALIFICATION MODE OUTPUT (Note 17)

| | | | | | | | |
|-----------|-----|-----------------------------|--------------------------|--|----------|--|------------|
| V_{OUT} | SWI | Output voltage swing | TestBemf LIN command | | 0 – 4,85 | | V |
| R_{OUT} | | Output impedance | Service mode LIN command | | 2 | | k Ω |
| A_v | | Gain = V_{SWI} / V_{BEMF} | Service mode LIN command | | 0.50 | | |

PACKAGE THERMAL RESISTANCE VALUES

| | | | | | | | |
|------------|----|--|-----------------------------------|--|------|--|-----|
| R_{thja} | SO | Thermal resistance junction to ambient (2S2P) | Simulated conform JEDEC JESD51 | | 39 | | K/W |
| R_{thjp} | SO | Thermal resistance junction to leads | | | 19 | | K/W |
| R_{thja} | NQ | Thermal resistance junction to ambient (2S2P) | | | 30 | | K/W |
| R_{thjp} | NQ | Thermal resistance junction to leads and exposed pad | | | 0.95 | | K/W |

14. Pin V_{DD} must not be used for any external supply

15. The RAM content will not be altered above this voltage.

16. External resistance value seen from pin SWI or HW2, including 1 k Ω series resistor. For the switch OPEN, the maximum allowed leakage current is represented by a minimum resistance seen from the pin.

17. Not applicable for “Product Versions AMIS30623C6238(R)G, AMIS30623C623B(R)G”

AMIS-30623

AC PARAMETERS

The AC parameters are guaranteed for temperature and V_{BB} in the operating range unless otherwise specified. The LIN transmitter and receiver physical layer parameters are compliant to LIN rev. 2.0 & 2.1.

Table 6. AC PARAMETERS

| Symbol | Pin(s) | Parameter | Test Conditions | Min | Typ | Max | Unit |
|---|--|--|--|-------|------|-------|---------------|
| POWERUP | | | | | | | |
| T_{pu} | | Power-up time | Guaranteed by design | | | 10 | ms |
| INTERNAL OSCILLATOR | | | | | | | |
| f_{osc} | | Frequency of internal oscillator | $V_{BB} = 14\text{ V}$ | 3.6 | 4.0 | 4.4 | MHz |
| LIN TRANSMITTER CHARACTERISTICS ACCORDING TO LIN v2.0 & v2.1 | | | | | | | |
| D1 | LIN | Duty cycle 1 = $t_{Bus_rec(min)} / (2 \times t_{Bit})$; See Figure 5 | THRec(max) = $0.744 \times V_{BB}$ THDom(max) = $0.581 \times V_{BB}$; $V_{BB} = 7.0\text{ V} \dots 18\text{ V}$; $t_{Bit} = 50\ \mu\text{s}$ | 0.396 | | | |
| D2 | | Duty cycle 2 = $t_{Bus_rec(max)} / (2 \times t_{Bit})$; See Figure 5 | THRec(min) = $0.284 \times V_{BB}$ THDom(min) = $0.422 \times V_{BB}$; $V_{BB} = 7.6\text{ V} \dots 18\text{ V}$; $t_{Bit} = 50\ \mu\text{s}$ | | | 0.581 | |
| LIN RECEIVER CHARACTERISTICS ACCORDING TO LIN v2.0 & v2.1 | | | | | | | |
| trx_pdr | LIN | Propagation delay bus dominant to RxD = low | $V_{BB} = 7.0\text{ V} \ \& \ 18\text{ V}$; See Figure 5 | | | 6 | μs |
| trx_pdf | | Propagation delay bus recessive to RxD = high | $V_{BB} = 7.0\text{ V} \ \& \ 18\text{ V}$; See Figure 5 | | | 6 | μs |
| trx_sym | | Symmetry of receiver propagation delay | trx_pdr - trx_pdf | -2 | | +2 | μs |
| SWITCH INPUT AND HARDWARE ADDRESS INPUT | | | | | | | |
| T_{sw} | SWI HW2 | Scan pulse period (Note 18) | $V_{BB} = 14\text{ V}$ | | 1024 | | μs |
| T_{sw_on} | | Scan pulse duration (Note 18) | $V_{BB} = 14\text{ V}$ | | 128 | | μs |
| MOTORDRIVER | | | | | | | |
| F_{pwm} | MOTxx | PWM frequency (Note 18) | PWMfreq = 0 (Note 19) | 20.6 | 22.8 | 25.0 | kHz |
| | | | PWMfreq = 1 (Note 19) | 41.2 | 45.6 | 50.0 | kHz |
| F_{jit_depth} | | PWM jitter modulation depth | PWMJen = 1 (Note 19) | | 10 | | % |
| T_{brise} | | Turn-on transient time | Between 10% and 90% | | 140 | | ns |
| T_{bfall} | | Turn-off transient time | | | 130 | | ns |
| T_{stab} | Run current stabilization time (Note 18) | | 29 | 32 | 35 | ms | |
| CHARGE PUMP | | | | | | | |
| f_{CP} | CPN CPP | Charge pump frequency (Note 18) | $V_{BB} = 14\text{ V}$ | | 250 | | kHz |

18. Derived from the internal oscillator

19. See [SetMotorParam](#) and [PWM Regulator](#)

AMIS-30623

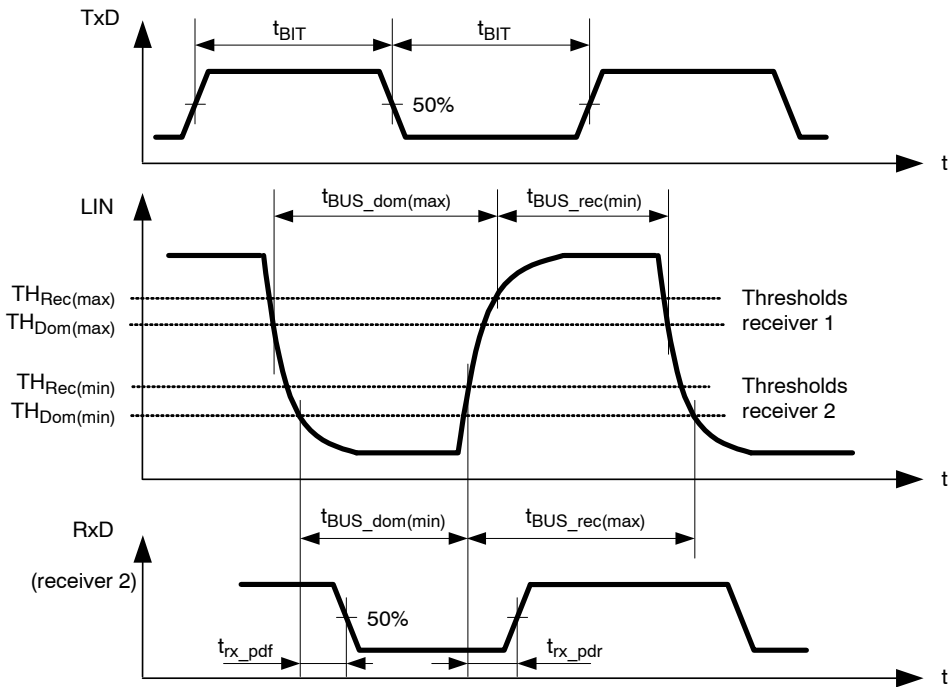


Figure 5. Timing Diagram for AC Characteristics According to LIN 2.0 & 2.1

Typical Application

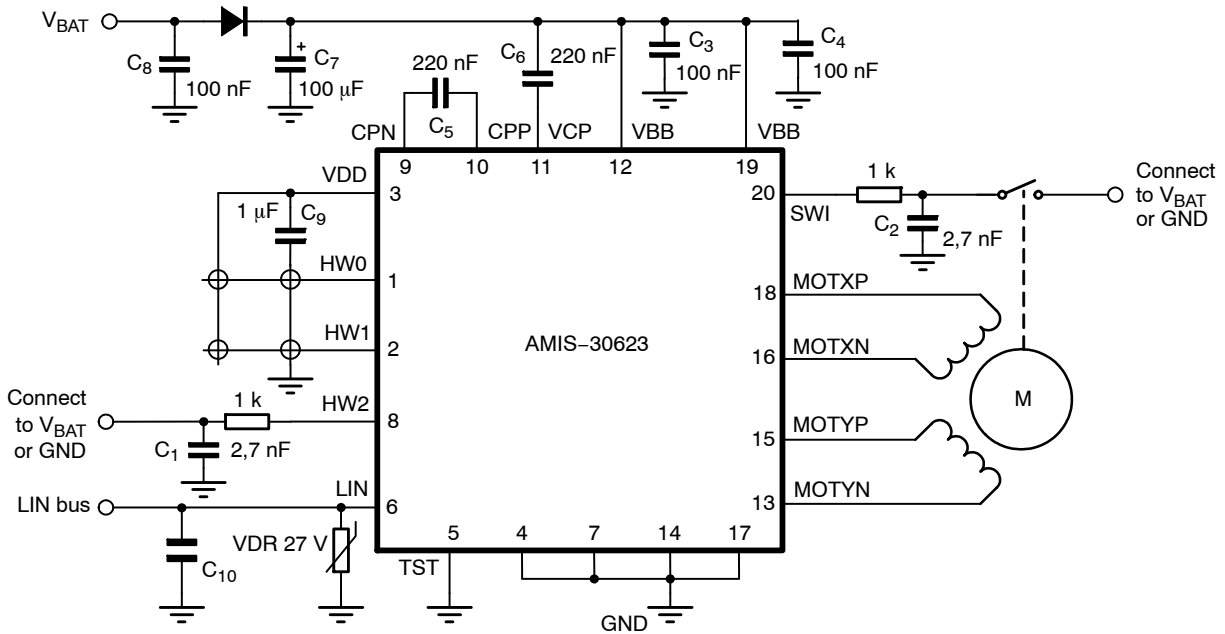


Figure 6. Typical Application Diagram for SO Device

NOTES: All resistors are $\pm 5\%$, 1/4 W

C₁, C₂ minimum value is 2.7 nF, maximum value is 10 nF

Depending on the application, the ESR value and working voltage of C₇ must be carefully chosen

C₃ and C₄ must be close to pins V_{BB} and GND

C₅ and C₆ must be as close as possible to pins CPN, CPP, VCP, and V_{BB} to reduce EMC radiation

C₉ must be a ceramic capacitor to assure low ESR

C₁₀ is placed for EMC reasons; value depends on EMC requirements of the application

POSITIONING PARAMETERS

Stepping Modes

One of four possible stepping modes can be programmed:

- Half-stepping
- 1/4 micro-stepping
- 1/8 micro-stepping
- 1/16 micro-stepping

Maximum Velocity

For each stepping mode, the maximum velocity V_{max} can be programmed to 16 possible values given in the table below.

The accuracy of V_{max} is derived from the internal oscillator. Under special circumstances it is possible to change the V_{max} parameter while a motion is ongoing. All 16 entries for the V_{max} parameter are divided into four groups. When changing V_{max} during a motion the application must take care that the new V_{max} parameter stays within the same group.

Table 7. MAXIMUM VELOCITY SELECTION TABLE

| Vmax Index | | Vmax (full step/s) | Group | Stepping Mode | | | |
|------------|-----|-----------------------|-------|--------------------------------|---|---|--|
| Hex | Dec | | | Half-stepping (half-step/s) | 1/4 th Micro-stepping (micro-step/s) | 1/8 th Micro-stepping (micro-step/s) | 1/16 th Micro-stepping (micro-step/s) |
| 0 | 0 | 99 | A | 197 | 395 | 790 | 1579 |
| 1 | 1 | 136 | B | 273 | 546 | 1091 | 2182 |
| 2 | 2 | 167 | | 334 | 668 | 1335 | 2670 |
| 3 | 3 | 197 | | 395 | 790 | 1579 | 3159 |
| 4 | 4 | 213 | | 425 | 851 | 1701 | 3403 |
| 5 | 5 | 228 | | 456 | 912 | 1823 | 3647 |
| 6 | 6 | 243 | | 486 | 973 | 1945 | 3891 |
| 7 | 7 | 273 | C | 546 | 1091 | 2182 | 4364 |
| 8 | 8 | 303 | | 607 | 1213 | 2426 | 4852 |
| 9 | 9 | 334 | | 668 | 1335 | 2670 | 5341 |
| A | 10 | 364 | | 729 | 1457 | 2914 | 5829 |
| B | 11 | 395 | | 790 | 1579 | 3159 | 6317 |
| C | 12 | 456 | | 912 | 1823 | 3647 | 7294 |
| D | 13 | 546 | D | 1091 | 2182 | 4364 | 8728 |
| E | 14 | 729 | | 1457 | 2914 | 5829 | 11658 |
| F | 15 | 973 | | 1945 | 3891 | 7782 | 15564 |

AMIS-30623

Minimum Velocity

Once the maximum velocity is chosen, 16 possible values can be programmed for the minimum velocity V_{min} . The table below provides the obtainable values in full-step/s. The accuracy of V_{min} is derived from the internal oscillator.

Table 8. OBTAINABLE VALUES IN FULL-STEP/s FOR THE MINIMUM VELOCITY

| Vmin Index | | Vmax Factor | Vmax (Full-step/s) | | | | | | | | | | | | | | | |
|------------|-----|-------------|--------------------|-----|-----|-----|-----|-----|-----|-----|-----|-----|-----|-----|-----|-----|-----|-----|
| | | | A | B | | | | | C | | | | | D | | | | |
| Hex | Dec | | 99 | 136 | 167 | 197 | 213 | 228 | 243 | 273 | 303 | 334 | 364 | 395 | 456 | 546 | 729 | 973 |
| 0 | 0 | 1 | 99 | 136 | 167 | 197 | 213 | 228 | 243 | 273 | 303 | 334 | 364 | 395 | 456 | 546 | 729 | 973 |
| 1 | 1 | 1/32 | 3 | 4 | 5 | 6 | 6 | 7 | 7 | 8 | 8 | 10 | 10 | 11 | 13 | 15 | 19 | 27 |
| 2 | 2 | 2/32 | 6 | 8 | 10 | 11 | 12 | 13 | 14 | 15 | 17 | 19 | 21 | 23 | 27 | 31 | 42 | 57 |
| 3 | 3 | 3/32 | 9 | 12 | 15 | 18 | 19 | 21 | 22 | 25 | 27 | 31 | 32 | 36 | 42 | 50 | 65 | 88 |
| 4 | 4 | 4/32 | 12 | 16 | 20 | 24 | 26 | 28 | 30 | 32 | 36 | 40 | 44 | 48 | 55 | 65 | 88 | 118 |
| 5 | 5 | 5/32 | 15 | 21 | 26 | 31 | 32 | 35 | 37 | 42 | 46 | 51 | 55 | 61 | 71 | 84 | 111 | 149 |
| 6 | 6 | 6/32 | 18 | 25 | 31 | 36 | 39 | 42 | 45 | 50 | 55 | 61 | 67 | 72 | 84 | 99 | 134 | 179 |
| 7 | 7 | 7/32 | 21 | 30 | 36 | 43 | 46 | 50 | 52 | 59 | 65 | 72 | 78 | 86 | 99 | 118 | 156 | 210 |
| 8 | 8 | 8/32 | 24 | 33 | 41 | 49 | 52 | 56 | 60 | 67 | 74 | 82 | 90 | 97 | 113 | 134 | 179 | 240 |
| 9 | 9 | 9/32 | 28 | 38 | 47 | 55 | 59 | 64 | 68 | 76 | 84 | 93 | 101 | 111 | 128 | 153 | 202 | 271 |
| A | 10 | 10/32 | 31 | 42 | 51 | 61 | 66 | 71 | 75 | 84 | 93 | 103 | 113 | 122 | 141 | 168 | 225 | 301 |
| B | 11 | 11/32 | 34 | 47 | 57 | 68 | 72 | 78 | 83 | 93 | 103 | 114 | 124 | 135 | 156 | 187 | 248 | 332 |
| C | 12 | 12/32 | 37 | 51 | 62 | 73 | 79 | 85 | 91 | 101 | 113 | 124 | 135 | 147 | 170 | 202 | 271 | 362 |
| D | 13 | 13/32 | 40 | 55 | 68 | 80 | 86 | 93 | 98 | 111 | 122 | 135 | 147 | 160 | 185 | 221 | 294 | 393 |
| E | 14 | 14/32 | 43 | 59 | 72 | 86 | 93 | 99 | 106 | 118 | 132 | 145 | 158 | 172 | 198 | 237 | 317 | 423 |
| F | 15 | 15/32 | 46 | 64 | 78 | 93 | 99 | 107 | 113 | 128 | 141 | 156 | 170 | 185 | 214 | 256 | 340 | 454 |

NOTES: The Vmax factor is an approximation.

In case of motion without acceleration (**AccShape** = 1) the length of the steps = $1/V_{min}$. In case of accelerated motion (**AccShape** = 0) the length of the first step is shorter than $1/V_{min}$ depending of **Vmin**, **Vmax** and **Acc**.

Acceleration and Deceleration

Sixteen possible values can be programmed for Acc (acceleration and deceleration between Vmin and Vmax). The table below provides the obtainable values in full-step/s². One observes restrictions for some

combinations of acceleration index and maximum speed (gray cells).

The accuracy of Acc is derived from the internal oscillator.

Table 9. ACCELERATION AND DECELERATION SELECTION TABLE

| Vmax (FS/s) → | | 99 | 136 | 167 | 197 | 213 | 228 | 243 | 273 | 303 | 334 | 364 | 395 | 456 | 546 | 729 | 973 |
|---------------|-----|--|-----|-----|-----|-----|-----|-----|-----|-------|-----|-----|-----|-----|-----|-----|-----|
| ↓ Acc Index | | | | | | | | | | | | | | | | | |
| Hex | Dec | Acceleration (Full-step/s ²) | | | | | | | | | | | | | | | |
| 0 | 0 | 49 | | | | | | | | 106 | | | | 473 | | | |
| 1 | 1 | 218 | | | | | | | | | | | | | | | |
| 2 | 2 | 1004 | | | | | | | | | | | | | | | |
| 3 | 3 | 3609 | | | | | | | | | | | | | | | |
| 4 | 4 | 6228 | | | | | | | | | | | | | | | |
| 5 | 5 | 8848 | | | | | | | | | | | | | | | |
| 6 | 6 | 11409 | | | | | | | | | | | | | | | |
| 7 | 7 | 13970 | | | | | | | | | | | | | | | |
| 8 | 8 | 16531 | | | | | | | | | | | | | | | |
| 9 | 9 | 19092 | | | | | | | | | | | | | | | |
| A | 10 | 21886 | | | | | | | | | | | | | | | |
| B | 11 | 24447 | | | | | | | | | | | | | | | |
| C | 12 | 27008 | | | | | | | | | | | | | | | |
| D | 13 | 29570 | | | | | | | | | | | | | | | |
| E | 14 | 29570 | | | | | | | | 34925 | | | | | | | |
| F | 15 | | | | | | | | | 40047 | | | | | | | |

The formula to compute the number of equivalent full-steps during acceleration phase is:

$$Nstep = \frac{Vmax^2 - Vmin^2}{2 \times Acc}$$

Positioning

The position programmed in commands SetPosition and SetPositionShort is given as a number of (micro-)steps. According to the chosen stepping mode, the position words must be aligned as described in the table below. When using command SetPositionShort or GotoSecurePosition, data is automatically aligned.

Table 10. POSITION WORD ALIGNMENT

| Stepping Mode | Position Word: Pos [15 : 0] | | | | | | | | | | | | | | | | Shift |
|--------------------|-------------------------------|-----|-----|-----|-----|-----|----|----|----|----|-----|----|-----|-----|-----|-----|-----------------|
| 1/16 th | S | B14 | B13 | B12 | B11 | B10 | B9 | B8 | B7 | B6 | B5 | B4 | B3 | B2 | B1 | LSB | No shift |
| 1/8 th | S | B13 | B12 | B11 | B10 | B9 | B8 | B7 | B6 | B5 | B4 | B3 | B2 | B1 | LSB | 0 | 1-bit left ↔ ×2 |
| 1/4 th | S | B12 | B11 | B10 | B9 | B8 | B7 | B6 | B5 | B4 | B3 | B2 | B1 | LSB | 0 | 0 | 2-bit left ↔ ×4 |
| Half-stepping | S | B11 | B10 | B9 | B8 | B7 | B6 | B5 | B4 | B3 | B2 | B1 | LSB | 0 | 0 | 0 | 3-bit left ↔ ×8 |
| PositionShort | S | S | S | B9 | B8 | B7 | B6 | B5 | B4 | B3 | B2 | B1 | LSB | 0 | 0 | 0 | No shift |
| SecurePosition | S | B9 | B8 | B7 | B6 | B5 | B4 | B3 | B2 | B1 | LSB | 0 | 0 | 0 | 0 | 0 | No shift |

NOTES: LSB: Least Significant Bit
S: Sign bit

Position Ranges

A position is coded by using the binary two’s complement format. According to the positioning commands used and to the chosen stepping mode, the position range will be as shown in the following table.

Table 11. POSITION RANGE

| Command | Stepping Mode | Position Range | Full Range Excursion | Number of Bits |
|------------------|-----------------------------------|------------------|----------------------|----------------|
| SetPosition | Half-stepping | -4096 to +4095 | 8192 half-steps | 13 |
| | 1/4 th micro-stepping | -8192 to +8191 | 16384 micro-steps | 14 |
| | 1/8 th micro-stepping | -16384 to +16383 | 32768 micro-steps | 15 |
| | 1/16 th micro-stepping | -32768 to +32767 | 65536 micro-steps | 16 |
| SetPositionShort | Half-stepping | -1024 to +1023 | 2048 half-steps | 11 |

When using the command SetPosition, although coded on 16 bits, the position word will have to be shifted to the left by a certain number of bits, according to the stepping mode.

Secure Position

A secure position can be programmed. It is coded in 11-bits, thus having a lower resolution than normal positions, as shown in the following table. See also command GotoSecurePosition and LIN lost behavior.

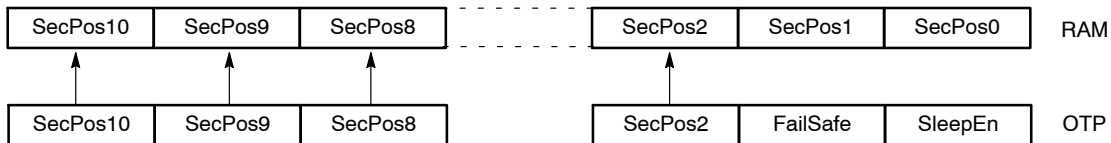
Table 12. SECURE POSITION

| Stepping Mode | Secure Position Resolution |
|-----------------------------------|--------------------------------------|
| Half-stepping | 4 half-steps |
| 1/4 th micro-stepping | 8 micro-steps (1/4 th) |
| 1/8 th micro-stepping | 16 micro-steps (1/8 th) |
| 1/16 th micro-stepping | 32 micro-steps (1/16 th) |

Important

NOTES: The secure position is disabled in case the programmed value is the reserved code “1000000000” (0x400 or most negative position).

The resolution of the secure position is limited to 9 bit at start-up. The OTP register is copied in RAM as illustrated below. The RAM bits SecPos1 and SecPos0 are set to 0.



Shaft

A shaft bit, which can be programmed in OTP or with command SetMotorParam, defines whether a positive motion is a clockwise (CW) or counter-clockwise rotation (CCW) (an outer or an inner motion for linear actuators):

- Shaft = 0 ⇒ MOTXP is used as positive pin of the X coil, while MOTXN is the negative one.
- Shaft = 1 ⇒ opposite situation

Exception: in RunVelocity mode, the shaft bit has no function. In this mode the rotational direction is always CW or CCW, which is only determined by the motor wiring.

STRUCTURAL DESCRIPTION

See also the Block Diagram in Figure 1.

Stepper Motordriver

The Motordriver receives the control signals from the control logic. The main features are:

- Two H-bridges, designed to drive a stepper motor with two separated coils. Each coil (X and Y) is driven by one H-bridge, and the driver controls the currents flowing through the coils. The rotational position of the

rotor, in unloaded condition, is defined by the ratio of current flowing in X and Y. The torque of the stepper motor when unloaded is controlled by the magnitude of the currents in X and Y.

- The control block for the H-bridges, including the PWM control, the synchronous rectification and the internal current sensing circuitry.

- The charge pump to allow driving of the H-bridges' high side transistors.
- Two pre-scale 4-bit DAC's to set the maximum magnitude of the current through X and Y.
- Two DAC's to set the correct current ratio through X and Y.

Battery voltage monitoring is also performed by this block, which provides the required information to the control logic part. The same applies for detection and reporting of an electrical problem that could occur on the coils or the charge pump.

Control Logic (Position Controller and Main Control)

The control logic block stores the information provided by the LIN interface (in a RAM or an OTP memory) and digitally controls the positioning of the stepper motor in terms of speed and acceleration, by feeding the right signals to the motordriver state machine.

It will take into account the successive positioning commands to properly initiate or stop the stepper motor in order to reach the set point in a minimum time.

It also receives feedback from the motordriver part in order to manage possible problems and decide on internal actions and reporting to the LIN interface.

Motion Detection

Motion detection is based on the back-emf generated internally in the running motor. When the motor is blocked,

e.g. when it hits the end position, the velocity, and as a result also the generated back-emf, is disturbed. The AMIS-30623 senses the back-emf, calculates a moving average and compares the value with two independent threshold levels. If the back-emf disturbance is bigger than the set threshold, the running motor is stopped.

LIN Interface

The LIN interface implements the physical layer and the MAC and LLC layers according to the OSI reference model. It provides and gets information to and from the control logic block, in order to drive the stepper motor, to configure the way this motor must be driven, or to get information such as actual position or diagnosis (temperature, battery voltage, electrical status...) and pass it to the LIN master node.

Miscellaneous

The AMIS-30623 also contains the following:

- An internal oscillator, needed for the LIN protocol handler as well as the control logic and the PWM control of the motordriver.
- An internal trimmed voltage source for precise referencing.
- A protection block featuring a thermal shutdown and a power-on-reset circuit.
- A 5 V regulator (from the battery supply) to supply the internal logic circuitry.

FUNCTIONS DESCRIPTION

This chapter describes the following functional blocks in more detail:

- Position controller
- Main control and register, OTP memory + ROM
- Motordriver

The Motion detection and LIN controller are discussed in separate chapters.

Position Controller

Positioning and Motion Control

A positioning command will produce a motion as illustrated in Figure 7. A motion starts with an acceleration phase from minimum velocity (V_{min}) to maximum velocity (V_{max}) and ends with a symmetrical deceleration. This is defined by the control logic according to the position required by the application and the parameters programmed by the application during the configuration phase. The current in the coils is also programmable.

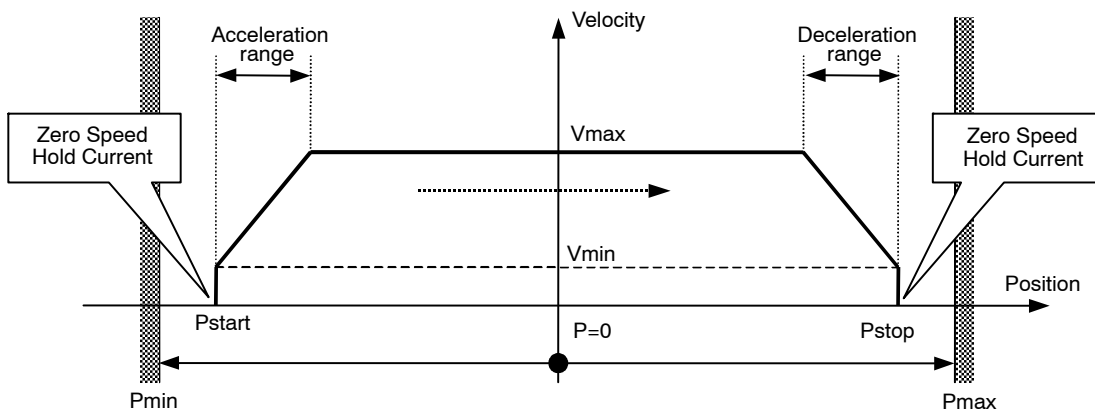


Figure 7. Positioning and Motion Control

Table 13. POSITION RELATED PARAMETERS

| Parameter | Reference |
|-------------------------------|---|
| Pmax – Pmin | See Positioning |
| Zero Speed Hold Current | See Ihold |
| Maximum Current | See Irun |
| Acceleration and Deceleration | See Acceleration and Deceleration |
| Vmin | See Minimum Velocity |
| Vmax | See Maximum Velocity |

Different positioning examples are shown in the table below.

Table 14. POSITIONING EXAMPLES

| | |
|--|--|
| Short motion. | |
| New positioning command in same direction, shorter or longer, while a motion is running at maximum velocity. | |
| New positioning command in same direction while in deceleration phase (Note 20) Note: there is no wait time between the deceleration phase and the new acceleration phase. | |
| New positioning command in reverse direction while motion is running at maximum velocity. | |
| New positioning command in reverse direction while in deceleration phase. | |
| New velocity programming while motion is running. | |

20. Reaching the end position is always guaranteed, however velocity rounding errors might occur after consecutive accelerations during a deceleration phase. The velocity rounding error will be removed at Vmin (e.g. at end of acceleration or when AccShape=1).

Dual Positioning

A SetDualPosition command allows the user to perform a positioning using two different velocities. The first motion is done with the specified Vmin and Vmax velocities in the SetDualPosition command, with the acceleration (deceleration) parameter already in RAM, to a position Pos1[15:0] also specified in SetDualPosition.

Then a second relative motion to a physical position Pos1[15:0] + Pos2[15:0] is done at the specified Vmin velocity in the SetDualPosition command (no

acceleration). Once the second motion is achieved, the ActPos register is reset to zero, whereas TagPos register is not changed.

When the Secure position is enabled, after the dual positioning, the secure positioning is executed. The figure below gives a detailed overview of the dual positioning function. After the dual positioning is executed an internal flag is set to indicate the AMIS-30623 is referenced.

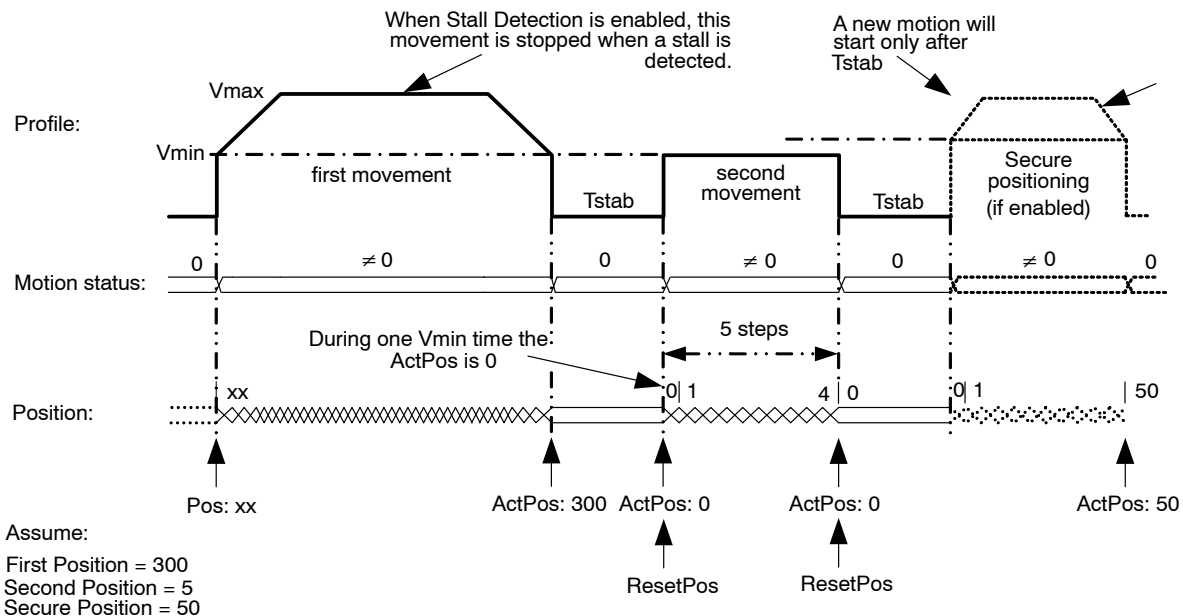


Figure 8. Dual Positioning

Remark: This operation cannot be interrupted or influenced by any further command unless the occurrence of the conditions driving to a motor shutdown or by a HardStop command. Sending a SetDualPosition command while a motion is already ongoing is not recommended.

- 21. The priority encoder is describing the management of states and commands.
- 22. A DualPosition sequence starts by setting TagPos buffer register to SecPos value, provided secure position is enabled otherwise TagPos is reset to zero. If a SetPosition(Short) command is issued during a DualPosition sequence, it will be kept in the position buffer memory and executed afterwards. This applies also for the commands Sleep, SetPosParam and GotoSecurePosition.
- 23. Commands such as GetActualPos or GetStatus will be executed while a Dual Positioning is running. This applies also for a dynamic ID assignment LIN frame.
- 24. The Pos1, Pos2, Vmax and Vmin values programmed in a SetDualPosition command apply only for this sequence. All other motion parameters are used from the RAM registers (programmed for instance by a former SetMotorParam command). After the DualPosition motion is completed, the former Vmin and Vmax become active again.
- 25. Commands ResetPosition, SetDualPosition, and SoftStop will be ignored while a DualPosition sequence is ongoing, and will not be executed afterwards.
- 26. Recommendation: a SetMotorParam command should not be sent during a SetDualPosition sequence: all the motion parameters defined in the command, except Vmin and Vmax, become active immediately.

Position Periodicity

Depending on the stepping mode the position can range from -4096 to +4095 in half-step to -32768 to +32767 in 1/16th micro-stepping mode. One can project all these positions lying on a circle. When executing the command SetPosition, the position controller will set the movement direction in such a way that the traveled distance is minimal.

The figure below illustrates that the moving direction going from ActPos = +30000 to TagPos = -30000 is clockwise.

If a counter clockwise motion is required in this example, several consecutive SetPosition commands can be used. One could also use for larger movements the command RunVelocity.

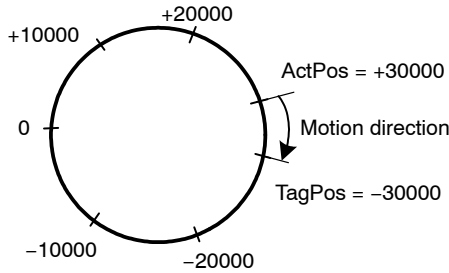


Figure 9. Motion Direction is Function of Difference between ActPos and TagPos

Hardwired Address HW2

In the drawing below, a simplified schematic diagram is shown of the HW2 comparator circuit.

The HW2 pin is sensed via 2 switches. The DriveHS and DriveLS control lines are alternatively closing the top and bottom switch connecting HW2 pin with a current to resistor converter. Closing S_{TOP} (DriveHS = 1) will sense a current to GND. In that case the top I → R converter output is low, via the closed passing switch S_{PASS_T} this signal is fed to the “R” comparator which output HW2_Cmp is high. Closing bottom switch S_{BOT} (DriveLS = 1) will sense a current to V_{BAT} . The corresponding I → R converter output is low and via S_{PASS_B} fed to the comparator. The output HW2_Cmp will be high.

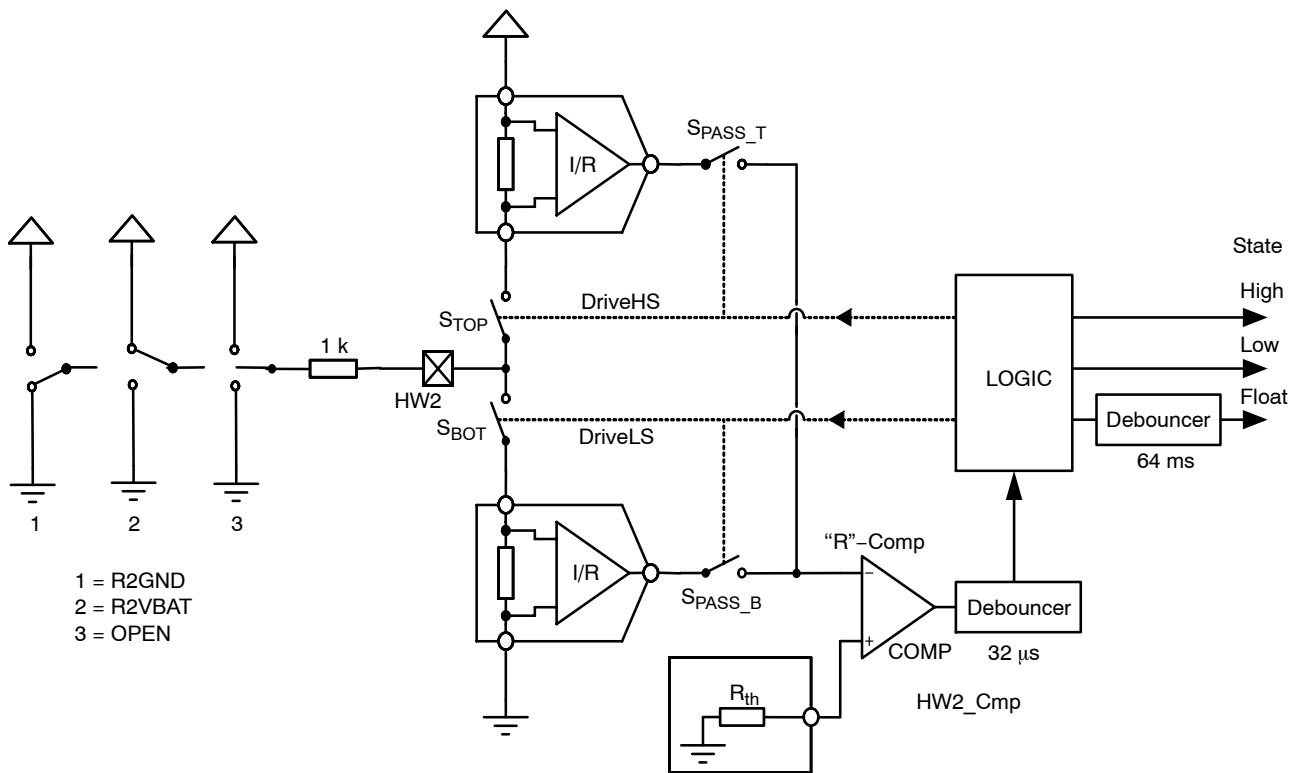


Figure 10. Simplified Schematic Diagram of the HW2 Comparator

3 cases can be distinguished (see also Figure 10 above):

- HW2 is connected to ground: R2GND or drawing 1
- HW2 is connected to VBAT: R2VBAT or drawing 2
- HW2 is floating: OPEN or drawing 3

Table 15. STATE DIAGRAM OF THE HW2 COMPARATOR

| Previous State | DriveLS | DriveHS | HW2_Cmp | New State | Condition | Drawing |
|----------------|---------|---------|---------|-----------|----------------|---------|
| Float | 1 | 0 | 0 | Float | R2GND or OPEN | 1 or 3 |
| Float | 1 | 0 | 1 | High | R2VBAT | 2 |
| Float | 0 | 1 | 0 | Float | R2VBAT or OPEN | 2 or 3 |
| Float | 0 | 1 | 1 | Low | R2GND | 1 |
| Low | 1 | 0 | 0 | Low | R2GND or OPEN | 1 or 3 |
| Low | 1 | 0 | 1 | High | R2VBAT | 2 |
| Low | 0 | 1 | 0 | Float | R2VBAT or OPEN | 2 or 3 |
| Low | 0 | 1 | 1 | Low | R2GND | 1 |
| High | 1 | 0 | 0 | Float | R2GND or OPEN | 1 or 3 |
| High | 1 | 0 | 1 | High | R2VBAT | 2 |
| High | 0 | 1 | 0 | High | R2VBAT or OPEN | 2 or 3 |
| High | 0 | 1 | 1 | Low | R2GND | 1 |

The logic is controlling the correct sequence in closing the switches and in interpreting the 32 μ s debounced HW2_Cmp output accordingly. The output of this small state-machine is corresponding to:

- High or address = 1
- Low or address = 0
- Floating

As illustrated in the table above (Table 15), the state is depending on the previous state, the condition of the 2 switch controls (DriveLS and DriveHS) and the output of HW2_Cmp. Figure 11 shows an example of a practical case where a connection to VBAT is interrupted.

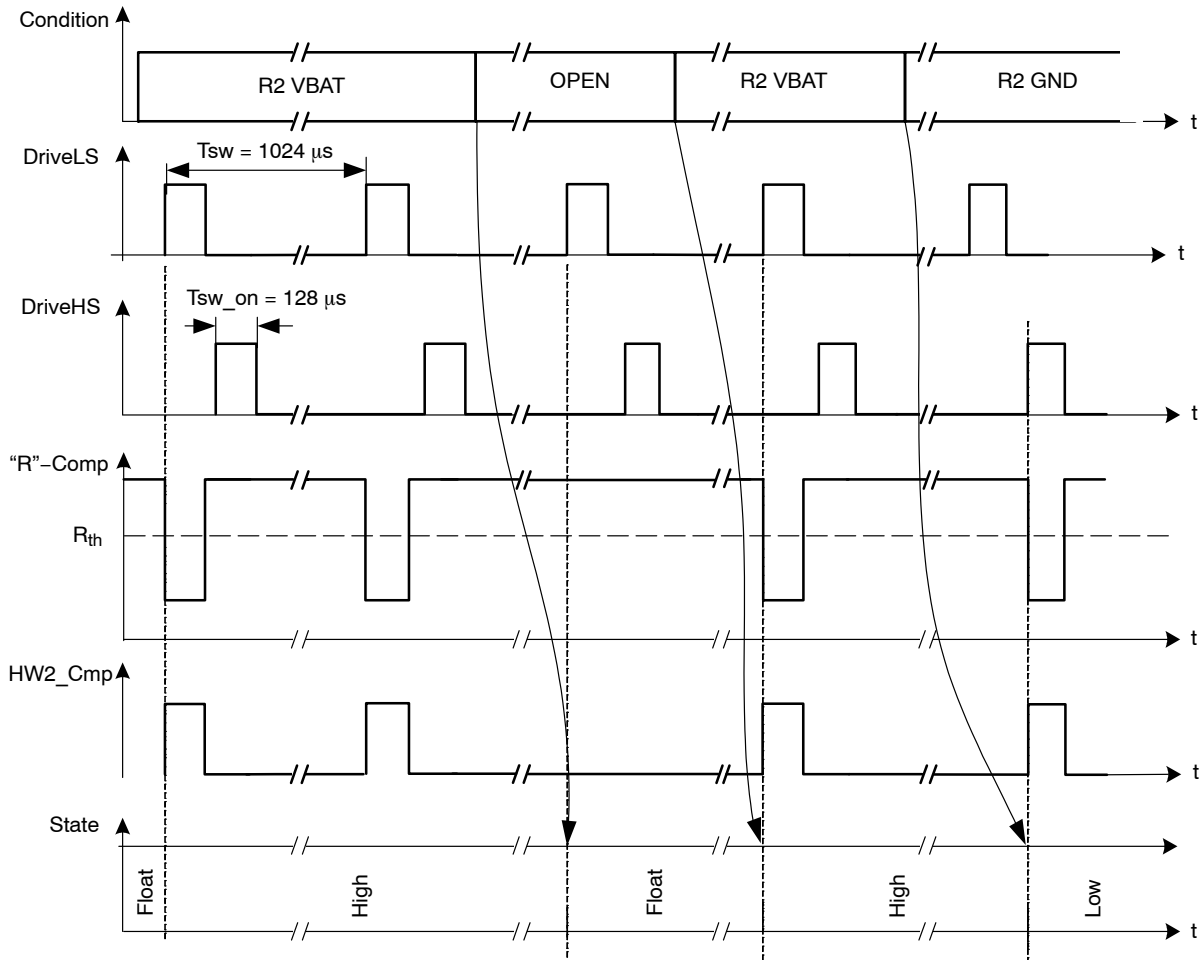


Figure 11. Timing Diagram Showing the Change in States for HW2 Comparator

R2VBAT

A resistor is connected between VBAT and HW2. Every 1024 μs S_{BOT} is closed and a current is sensed. The output of the $I \Rightarrow R$ converter is low and the HW2_Cmp output is high. Assuming the previous state was floating, the internal logic will interpret this as a change of state and the new state will be high (see also Table 15). The next time S_{BOT} is closed the same conditions are observed. The previous state was high so based on Table 15 the new state remains unchanged. This high state will be interpreted as HW2 address = 1.

OPEN

In case the HW2 connection is lost (broken wire, bad contact in connector) the next time S_{BOT} is closed, this will be sensed. There will be no current, the output of the corresponding $I \Rightarrow R$ converter is high and the HW2_Cmp will be low. The previous state was high. Based in Table 15 one can see that the state changes to float. This will trigger

a motion to secure position after a debounce time of 64 ms, which prevents false triggering in case of micro-interruptions of the power supply.

R2GND

If a resistor is connected between HW2 and the GND, a current is sensed every 1024 μs when S_{TOP} is closed. The output of the top $I \Rightarrow R$ converter is low and as a result the HW2_Cmp output switches to high. Again based on the stated diagram in Table 15 one can see that the state will change to Low. This low state will be interpreted as HW2 address = 0.

External Switch SWI

As illustrated in Figure 12 the SWI comparator is almost identical to HW2. The major difference is in the limited number of states. Only open or closed is recognised leading to respectively $ESW = 0$ and $ESW = 1$.

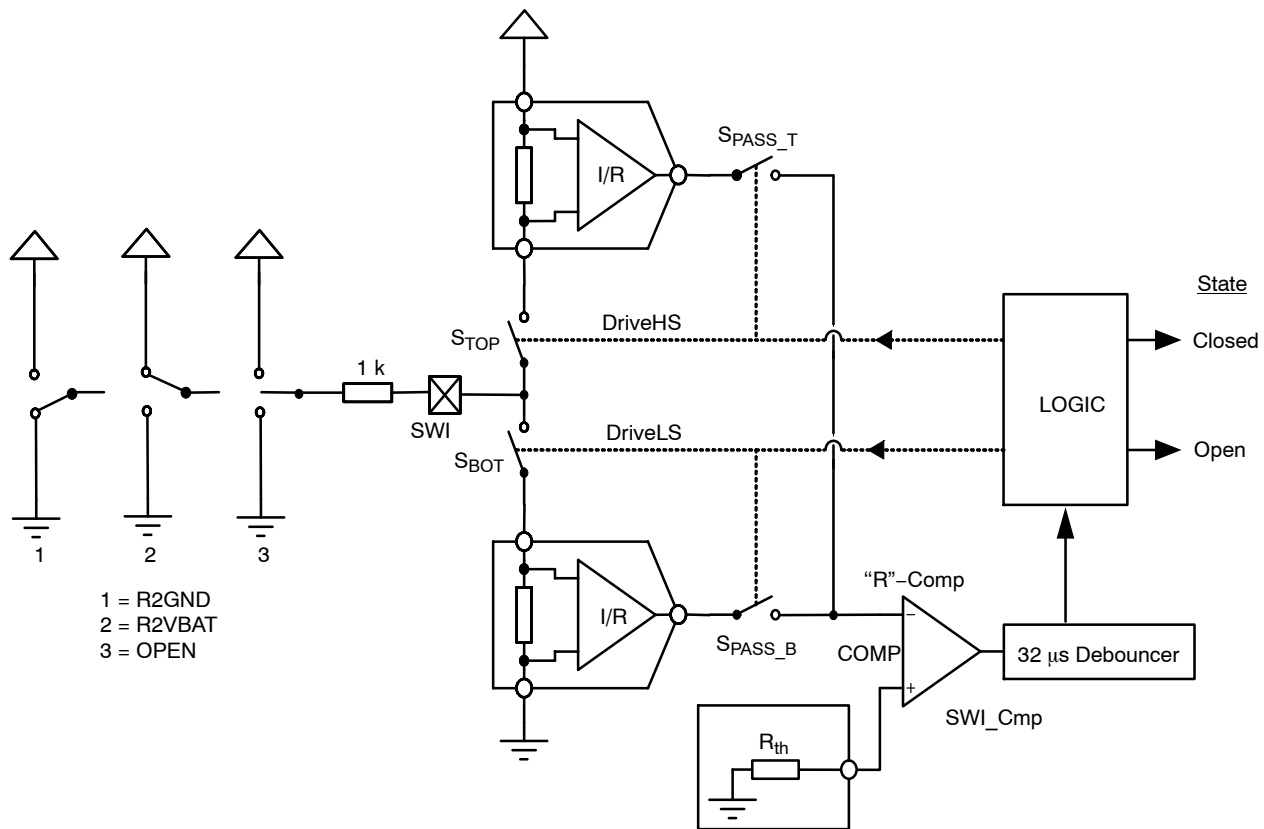


Figure 12. Simplified Schematic Diagram of the SWI Comparator

As illustrated in the drawing above, a change in state is always synchronised with DriveHS or DriveLS. The same synchronisation is valid for updating the internal position register. This means that after every current pulse (or closing of S_{TOP} or S_{BOT}) the state of the position switch together with the corresponding position is memorised.

The GetActualPos command reads back the <ActPos> register and the status of ESW. In this way the master node may get synchronous information about the state of the switch together with the position of the motor. See Table 16 below.

Table 16. GetActualPos LIN COMMAND

| Reading Frame | | | | | | | | | |
|---------------|------------|--------------------|----------|-------|-------|-------|-------|------------|-------|
| Byte | Content | Structure | | | | | | | |
| | | Bit 7 | Bit 6 | Bit 5 | Bit 4 | Bit 3 | Bit 2 | Bit 1 | Bit 0 |
| 0 | Identifier | * | * | 1 | 0 | ID3 | ID2 | ID1 | ID0 |
| 1 | Data 1 | ESW | AD[6:0] | | | | | | |
| 2 | Data 2 | ActPos[15:8] | | | | | | | |
| 3 | Data 3 | ActPos[7:0] | | | | | | | |
| 4 | Data 4 | VddReset | StepLoss | EIDef | UV2 | TSD | TW | Tinfo[1:0] | |
| 5 | Checksum | Checksum over data | | | | | | | |

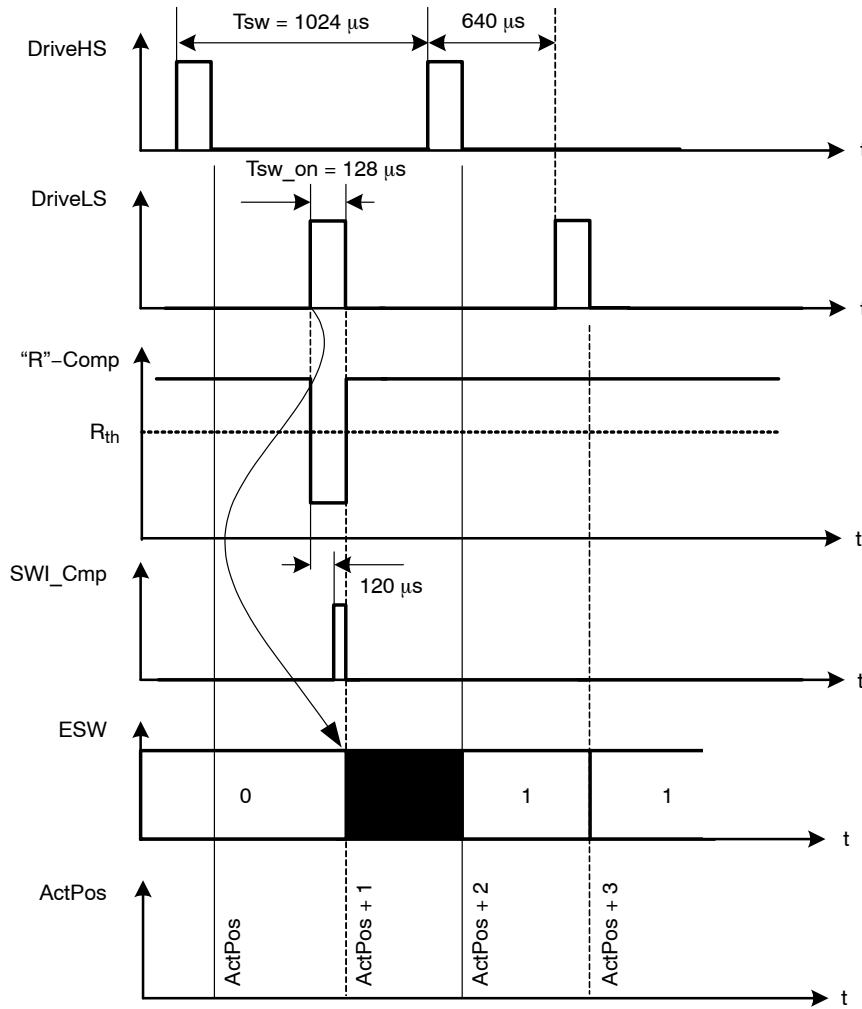


Figure 13. Simplified Timing Diagram Showing the Change in States for SWI Comparator

Main Control and Register, OTP memory + ROM

Power-up Phase

Power-up phase of the AMIS-30623 will not exceed 10 ms. After this phase, the AMIS-30623 is in standby mode, ready to receive LIN messages and execute the associated commands. After power-up, the registers and flags are in the reset state, while some of them are being loaded with the OTP memory content (see Table 19: RAM Registers).

Reset

After power-up, or after a reset occurrence (e.g. a micro-cut on pin V_{BB} has made V_{DD} to go below V_{ddReset} level), the H-bridges will be in high-impedance mode, and the registers and flags will be in a predetermined position. This is documented in Table 19: RAM Registers and Table 20: Flags Table.

Soft-stop

A soft-stop is an immediate interruption of a motion, but with a deceleration phase. At the end of this action, the register <TagPos> is loaded with the value contained in

register <ActPos>, see Table 19: Ram Registers). The circuit is then ready to execute a new positioning command, provided thermal and electrical conditions allow for it.

Sleep Mode

When entering sleep mode, the stepper-motor can be driven to its secure position. After which, the circuit is completely powered down, apart from the LIN receiver, which remains active to detect a dominant state on the bus. In case sleep mode is entered while a motion is ongoing, a transition will occur towards secure position as described in Positioning and Motion Control provided <SecPos> is enabled. Otherwise, <SoftStop> is performed.

Sleep mode can be entered in the following cases:

- The circuit receives a LIN frame with identifier **0x3C** and first data byte containing **0x00**, as required by LIN specification rev 1.3 and <SleepEn> bit = 1. See also Sleep in the LIN Application Command section.
- In case the >SleepEn> bit = 1 and the LIN bus remains inactive (or is lost) during more than 25000 time slots (1.30 s at 19.2 kbit/s), a time-out signal switches the circuit to sleep mode.

The circuit will return to normal mode if a valid LIN frame is received (this valid frame can be addressed to another slave).

Thermal Shutdown Mode

When thermal shutdown occurs, the circuit performs a <SoftStop> command and goes to motor shutdown mode (see Figure 14: State Diagram Temperature Management).

Temperature Management

The AMIS-30623 monitors temperature by means of two thresholds and one shutdown level, as illustrated in the state diagram and illustration of Figure 14: State Diagram Temperature Management below. The only condition to reset flags <TW> and <TSD> (respectively thermal warning and thermal shutdown) is to be at a temperature lower than T_{tw} and to get the occurrence of a GetStatus or a GetFullStatus LIN frame.

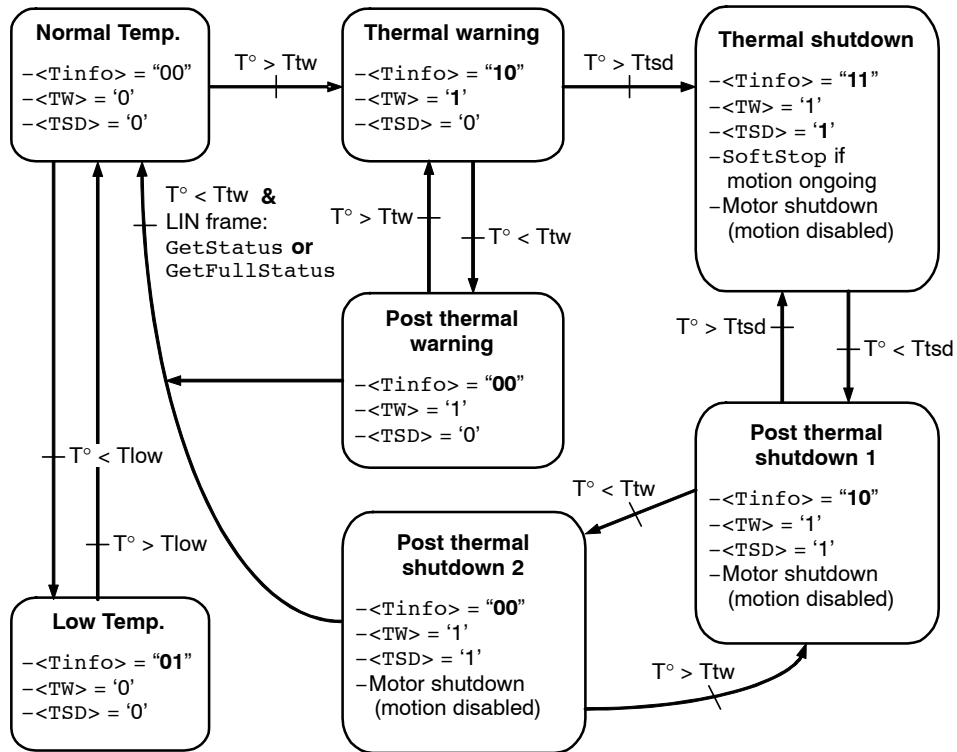


Figure 14. State Diagram Temperature Management

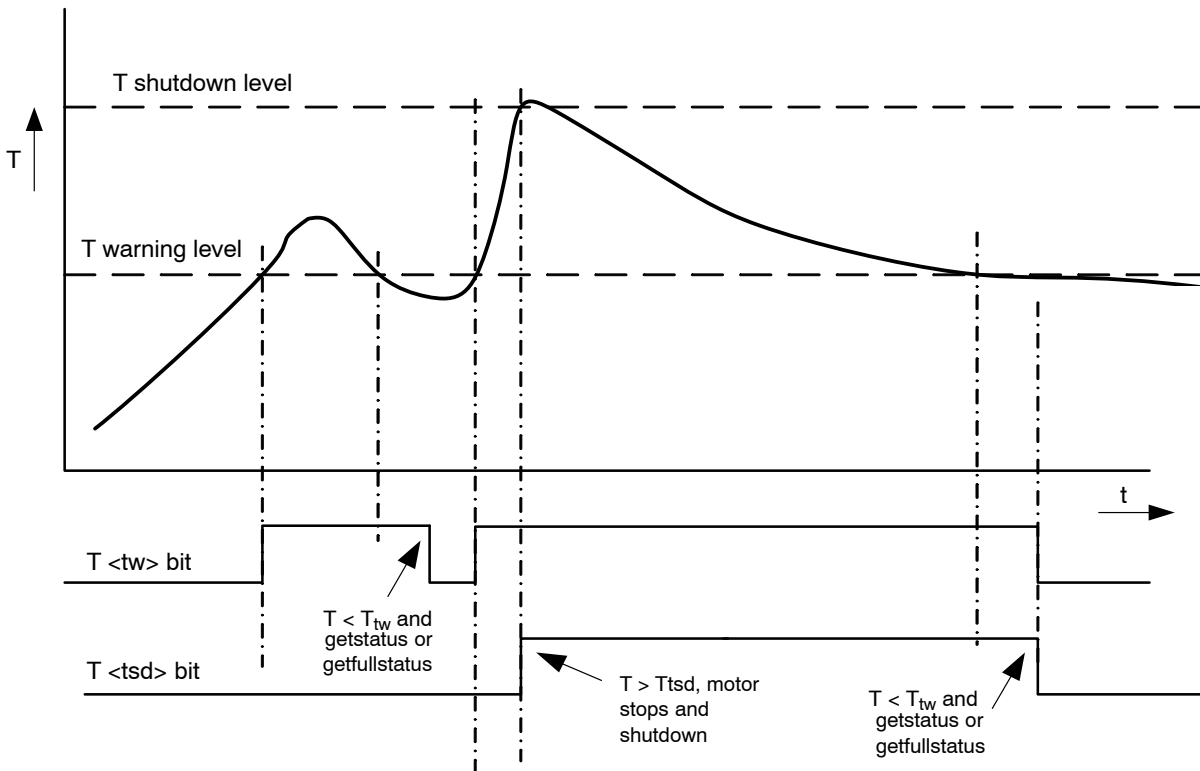


Figure 15. Illustration of Thermal Management Situation

Autarkic Functionality in Under-Voltage Condition

Battery Voltage Management

The AMIS-30623 monitors the battery voltage by means of one threshold and one shutdown level. The only condition to reset flags <UV2> and <StepLoss> is to recover by a battery voltage higher than UV1 and to receive a GetStatus or a GetFullStatus command.

Autarkic Function

The device enters states <HardUnder> (see Figure 16), followed by <ShutUnder> when V_{BB} is below the UV2 level or <CPFail> = 1. The motion is stopped immediately and Target Position (TagPos) is kept and not overwritten by Actual Position (ActPos). The motor is in HiZ state and the flags <UV2> and <StepLoss> are set to inform the master that the voltage has dropped below UV2 or the charge pump voltage has dropped below the level of the charge pump comparator and loss of steps is possible.

- If in this state V_{BB} becomes > UV1 within 15 seconds, then AMIS-30623 returns to <Stopped> state. From there, it resumes the interrupted motion and accepts updates of the target position by means of the commands SetPosition, SetPositionShort,

SetPosParam and GotoSecurePosition, even if the <UV2> flag, the <CPFail> flag and <StepLoss> flags are NOT cleared.

- If however the V_{BB} voltage remains below UV2 level or the charge pump voltage level is below the charge pump comparator for more than 15 seconds, then the device will enter <Shutdown> state and the target position is overwritten by Actual Position. This state can be exited only if V_{BB} is > UV1, the charge pump voltage is above the charge pump comparator voltage and an incoming command GetStatus or GetFullStatus is received.

Important Notes:

1. In the case of Autarkic positioning, care needs to be taken because accumulated steploss can cause a significant deviation between physical and stored actual position.
2. The SetDualPosition command will only be executed after clearing the <UV2>, CPFail and <StepLoss> flags.
3. RAM reset occurs when $V_{dd} < V_{ddReset}$ (digital Power-On-Reset level).
4. The Autarkic function remains active as long as $V_{DD} > V_{ddReset}$.

OTP Register

OTP Memory Structure

The table below shows how the parameters to be stored in the OTP memory are located.

Table 17. OTP MEMORY STRUCTURE

| Address | Bit 7 | Bit 6 | Bit 5 | Bit 4 | Bit 3 | Bit 2 | Bit 1 | Bit 0 |
|---------|-----------|---------|---------|---------|-----------|-----------|----------|---------|
| 0x00 | OSC3 | OSC2 | OSC1 | OSC0 | IREF3 | IREF2 | IREF1 | IREF0 |
| 0x01 | EnableLIN | TSD2 | TSD1 | TSD0 | BG3 | BG2 | BG1 | BG0 |
| 0x02 | AbsThr3 | AbsThr2 | AbsThr1 | AbsThr0 | PA3 | PA2 | PA1 | PA0 |
| 0x03 | Irun3 | Irun2 | Irun1 | Irun0 | Ihold3 | Ihold2 | Ihold1 | Ihold0 |
| 0x04 | Vmax3 | Vmax2 | Vmax1 | Vmax0 | Vmin3 | Vmin2 | Vmin1 | Vmin0 |
| 0x05 | SecPos10 | SecPos9 | SecPos8 | Shaft | Acc3 | Acc2 | Acc1 | Acc0 |
| 0x06 | SecPos7 | SecPos6 | SecPos5 | SecPos4 | SecPos3 | SecPos2 | Failsafe | SleepEn |
| 0x07 | DelThr3 | DelThr2 | DelThr1 | DelThr0 | StepMode1 | StepMode0 | LOCKBT | LOCKBG |

Parameters stored at address 0x00 and 0x01 and bit <LOCKBT> are already programmed in the OTP memory at circuit delivery. They correspond to the calibration of the circuit and are just documented here as an indication.

Each OTP bit is at '0' when not zapped. Zapping a bit will set it to '1'. Thus only bits having to be at '1' must be zapped. Zapping of a bit already at '1' is disabled. Each OTP byte will be programmed separately (see command SetOTPparam). Once OTP programming is completed, bit <LOCKBG> can be zapped to disable future zapping, otherwise any OTP bit at '0' could still be zapped by using a SetOTPparam command.

Table 18. OTP OVERWRITE PROTECTION

| Lock Bit | Protected Bytes |
|---|-----------------|
| LOCKBT (factory zapped before delivery) | 0x00 to 0x01 |
| LOCKBG | 0x00 to 0x07 |

The command used to load the application parameters via the LIN bus in the RAM prior to an OTP Memory programming is SetMotorParam. This allows for a functional verification before using a SetOTPparam command to program and zap separately one OTP memory byte. A GetOTPparam command issued after each SetOTPparam command allows verifying the correct byte zapping.

Note: Zapped bits will become active only after a power cycle. After programming the LIN bits the power cycle has to be performed first to guarantee further communication with the device.

Application Parameters Stored in OTP Memory

Except for the physical address <PA[3:0]> these parameters, although programmed in a non-volatile memory can still be overridden in RAM by a LIN writing operation.

PA[3:0] In combination with HW[2:0] it forms the physical address AD[6:0] of the stepper-motor. Up to 128 stepper-motors can theoretically be connected to the same LIN bus.

AbsThr[3:0] Absolute threshold used for the motion detection

| Index | AbsThr | | | | AbsThr level (V) (*) |
|-------|--------|---|---|---|----------------------|
| 0 | 0 | 0 | 0 | 0 | Disable |
| 1 | 0 | 0 | 0 | 1 | 0.5 |
| 2 | 0 | 0 | 1 | 0 | 1.0 |
| 3 | 0 | 0 | 1 | 1 | 1.5 |
| 4 | 0 | 1 | 0 | 0 | 2.0 |
| 5 | 0 | 1 | 0 | 1 | 2.5 |
| 6 | 0 | 1 | 1 | 0 | 3.0 |
| 7 | 0 | 1 | 1 | 1 | 3.5 |
| 8 | 1 | 0 | 0 | 0 | 4.0 |
| 9 | 1 | 0 | 0 | 1 | 4.5 |
| A | 1 | 0 | 1 | 0 | 5.0 |
| B | 1 | 0 | 1 | 1 | 5.5 |
| C | 1 | 1 | 0 | 0 | 6.0 |
| D | 1 | 1 | 0 | 1 | 6.5 |
| E | 1 | 1 | 1 | 0 | 7.0 |
| F | 1 | 1 | 1 | 1 | 7.5 |

(*) Not tested in production. Values are approximations.

DelThr[3:0] Relative threshold used for the motion detection

| Index | DelThr | | | | DelThr Level (V) (*) |
|-------|--------|---|---|---|----------------------|
| 0 | 0 | 0 | 0 | 0 | Disable |
| 1 | 0 | 0 | 0 | 1 | 0.25 |
| 2 | 0 | 0 | 1 | 0 | 0.50 |
| 3 | 0 | 0 | 1 | 1 | 0.75 |
| 4 | 0 | 1 | 0 | 0 | 1.00 |
| 5 | 0 | 1 | 0 | 1 | 1.25 |
| 6 | 0 | 1 | 1 | 0 | 1.50 |
| 7 | 0 | 1 | 1 | 1 | 1.75 |
| 8 | 1 | 0 | 0 | 0 | 2.00 |
| 9 | 1 | 0 | 0 | 1 | 2.25 |
| A | 1 | 0 | 1 | 0 | 2.50 |
| B | 1 | 0 | 1 | 1 | 2.75 |
| C | 1 | 1 | 0 | 0 | 3.00 |
| D | 1 | 1 | 0 | 1 | 3.25 |
| E | 1 | 1 | 1 | 0 | 3.50 |
| F | 1 | 1 | 1 | 1 | 3.75 |

(*) Not tested in production. Values are approximations.

IrUn[3:0] Current amplitude value to be fed to each coil of the stepper-motor. The table below provides the 16 possible values for <IRUN>.

| Index | IrUn | | | | Run Current (mA) |
|-------|------|---|---|---|------------------|
| 0 | 0 | 0 | 0 | 0 | 59 |
| 1 | 0 | 0 | 0 | 1 | 71 |
| 2 | 0 | 0 | 1 | 0 | 84 |
| 3 | 0 | 0 | 1 | 1 | 100 |
| 4 | 0 | 1 | 0 | 0 | 119 |
| 5 | 0 | 1 | 0 | 1 | 141 |
| 6 | 0 | 1 | 1 | 0 | 168 |
| 7 | 0 | 1 | 1 | 1 | 200 |
| 8 | 1 | 0 | 0 | 0 | 238 |
| 9 | 1 | 0 | 0 | 1 | 283 |
| A | 1 | 0 | 1 | 0 | 336 |
| B | 1 | 0 | 1 | 1 | 400 |
| C | 1 | 1 | 0 | 0 | 476 |
| D | 1 | 1 | 0 | 1 | 566 |
| E | 1 | 1 | 1 | 0 | 673 |
| F | 1 | 1 | 1 | 1 | 800 |

Ihold[3:0] Hold current for each coil of the stepper-motor. The table below provides the 16 possible values for <IHOLD>.

| Index | Ihold | | | | Hold Current (mA) |
|-------|-------|---|---|---|-------------------|
| 0 | 0 | 0 | 0 | 0 | 59 |
| 1 | 0 | 0 | 0 | 1 | 71 |
| 2 | 0 | 0 | 1 | 0 | 84 |
| 3 | 0 | 0 | 1 | 1 | 100 |
| 4 | 0 | 1 | 0 | 0 | 119 |
| 5 | 0 | 1 | 0 | 1 | 141 |
| 6 | 0 | 1 | 1 | 0 | 168 |
| 7 | 0 | 1 | 1 | 1 | 200 |
| 8 | 1 | 0 | 0 | 0 | 238 |
| 9 | 1 | 0 | 0 | 1 | 283 |
| A | 1 | 0 | 1 | 0 | 336 |
| B | 1 | 0 | 1 | 1 | 400 |
| C | 1 | 1 | 0 | 0 | 476 |
| D | 1 | 1 | 0 | 1 | 566 |
| E | 1 | 1 | 1 | 0 | 673 |
| F | 1 | 1 | 1 | 1 | 0 |

Note: When the motor is stopped, the current is reduced from <IRUN> to <IHOLD>. In the case of 0 mA hold current (1111 in the hold current table), the following sequence is applied:

1. The current is first reduced to 59 mA (corresponding to 0000 value in the table).
2. The PWM regulator is switched off; the bottom transistors of the bridges are grounded.

StepMode Setting of step modes.

| StepMode | | Step Mode |
|----------|---|---------------|
| 0 | 0 | 1/2 stepping |
| 0 | 1 | 1/4 stepping |
| 1 | 0 | 1/8 stepping |
| 1 | 1 | 1/16 stepping |

Shaft This bit distinguishes between a clock-wise or counter-clock-wise rotation. The shaft bit is not working in RunVelocity mode.

SecPos[10:2] Secure Position of the stepper-motor. This is the position to which the motor is driven in case of a LIN communication loss or when the LIN error-counter overflows. If <SecPos[10:2]> = "100 0000 00xx", secure positioning is disabled; the stepper-motor will be kept in the position occupied at the moment these events occur.

Note: The Secure Position is coded on 11 bits only, providing actually the most significant bits of the position, the non coded least significant bits being set to '0'. The Secure Position in OTP has only 9 bits. The two least significant bits are loaded as '0' to RAM when copied from OTP.

Vmax[3:0] Maximum velocity

| Index | Vmax | | | | Vmax(full step/s) | Group |
|-------|------|---|---|---|-------------------|-------|
| 0 | 0 | 0 | 0 | 0 | 99 | A |
| 1 | 0 | 0 | 0 | 1 | 136 | B |
| 2 | 0 | 0 | 1 | 0 | 167 | |
| 3 | 0 | 0 | 1 | 1 | 197 | |
| 4 | 0 | 1 | 0 | 0 | 213 | |
| 5 | 0 | 1 | 0 | 1 | 228 | |
| 6 | 0 | 1 | 1 | 0 | 243 | |
| 7 | 0 | 1 | 1 | 1 | 273 | C |
| 8 | 1 | 0 | 0 | 0 | 303 | |
| 9 | 1 | 0 | 0 | 1 | 334 | |
| A | 1 | 0 | 1 | 0 | 364 | |
| B | 1 | 0 | 1 | 1 | 395 | |
| C | 1 | 1 | 0 | 0 | 456 | |
| D | 1 | 1 | 0 | 1 | 546 | D |
| E | 1 | 1 | 1 | 0 | 729 | |
| F | 1 | 1 | 1 | 1 | 973 | |

Vmin[3:0] Minimum velocity.

| Index | Vmin | | | | Vmax Factor |
|-------|------|---|---|---|-------------|
| 0 | 0 | 0 | 0 | 0 | 1 |
| 1 | 0 | 0 | 0 | 1 | 1/32 |
| 2 | 0 | 0 | 1 | 0 | 2/32 |
| 3 | 0 | 0 | 1 | 1 | 3/32 |
| 4 | 0 | 1 | 0 | 0 | 4/32 |
| 5 | 0 | 1 | 0 | 1 | 5/32 |
| 6 | 0 | 1 | 1 | 0 | 6/32 |
| 7 | 0 | 1 | 1 | 1 | 7/32 |
| 8 | 1 | 0 | 0 | 0 | 8/32 |
| 9 | 1 | 0 | 0 | 1 | 9/32 |
| A | 1 | 0 | 1 | 0 | 10/32 |
| B | 1 | 0 | 1 | 1 | 11/32 |
| C | 1 | 1 | 0 | 0 | 12/32 |
| D | 1 | 1 | 0 | 1 | 13/32 |
| E | 1 | 1 | 1 | 0 | 14/32 |
| F | 1 | 1 | 1 | 1 | 15/32 |

Acc[3:0] Acceleration and deceleration between Vmax and Vmin.

| Index | Acc | | | | Acceleration (Full-step/s ²) |
|-------|-----|---|---|---|--|
| 0 | 0 | 0 | 0 | 0 | 49 (*) |
| 1 | 0 | 0 | 0 | 1 | 218 (*) |
| 2 | 0 | 0 | 1 | 0 | 1004 . |
| 3 | 0 | 0 | 1 | 1 | 3609 . |
| 4 | 0 | 1 | 0 | 0 | 6228 . |
| 5 | 0 | 1 | 0 | 1 | 8848 . |
| 6 | 0 | 1 | 1 | 0 | 11409 . |
| 7 | 0 | 1 | 1 | 1 | 13970 . |
| 8 | 1 | 0 | 0 | 0 | 16531 . |
| 9 | 1 | 0 | 0 | 1 | 19092 (*) |
| A | 1 | 0 | 1 | 0 | 21886 (*) |
| B | 1 | 0 | 1 | 1 | 24447 (*) |
| C | 1 | 1 | 0 | 0 | 27008 (*) |
| D | 1 | 1 | 0 | 1 | 29570 (*) |
| E | 1 | 1 | 1 | 0 | 34925 (*) |
| F | 1 | 1 | 1 | 1 | 40047 (*) |

(*) restriction on speed

SleepEn IF <SleepEn> = 1 -> AMIS-30623

always goes to low-power sleep mode incase of LIN timeout.

IF <SleepEn> = 0, there is no more automatic transition to low-current sleep mode (i.e. stay in stop mode with applied hold current, unless there are failures). Exception to this rule are the states <Standby> and <Shutdown>, in which the device can enter sleep regardless of the state of SleepEn.

Note: The <SleepEn> function acts for the LIN command "SLEEP" too. When <SleepEn> = 1 and the Sleep command is received the 30623 will go into Sleep. In case the <SleepEn> = 0 the 30623 will go into stop mode.

FailSafe

Description: see section LIN Lost Behavior.

Table 19. RAM REGISTERS

| Register | Mnemonic | Length (bit) | Related Commands | Comment | Reset State |
|------------------------------------|------------|--------------|---|--|-----------------|
| Actual position | ActPos | 16 | GetActualPos GetFullStatus GotoSecurePos ResetPosition | 16-bit signed | |
| Last programmed Position | Pos/TagPos | 16/11 | GetFullStatus GotoSecurePos ResetPosition SetPosition SetPositionShort SetPosParam | 16-bit signed or 11-bit signed for half stepping (see Positioning) | |
| Acceleration shape | AccShape | 1 | GetFullStatus SetMotorParam | '0' ⇒ normal acceleration from Vmin to Vmax '1' ⇒ motion at Vmin without acceleration | '0' |
| Coil peak current | Irun | 4 | GetFullStatus SetMotorParam | Operating current See look-up table Irun | From OTP memory |
| Coil hold current | Ihold | 4 | GetFullStatus SetMotorParam | Standstill current See look-up table Ihold | |
| Minimum Velocity | Vmin | 4 | GetFullStatus SetMotorParam SetPosParam | See Section Minimum Velocity See look-up table Vmin | |
| Maximum Velocity | Vmax | 4 | GetFullStatus SetMotorParam SetPosParam | See Section Maximum Velocity See look-up table Vmax | |
| Shaft | Shaft | 1 | GetFullStatus SetMotorParam | Direction of movement | |
| Acceleration/ deceleration | Acc | 4 | GetFullStatus SetMotorParam SetPosParam | See Section Acceleration See look-up table Acc | |
| Secure Position | SecPos | 11 | GetFullStatus SetMotorParam | Target position when LIN connection fails; 11 MSB's of 16-bit position (LSB's fixed to '0') | |
| Stepping mode | StepMode | 2 | GetFullStatus SetStallParam | See Section Stepping Modes See look-up table StepMode | |
| Stall detection absolute threshold | AbsThr | 4 | GetFullStatus SetStallParam SetPosParam | | |
| Stall detection delta threshold | DelThr | 4 | GetFullStatus SetStallParam | | |
| Sleep Enable | SleepEn | 1 | SetOTPPParam | Enables entering sleep mode after LIN lost. See also LIN lost behavior | |
| Fail Safe | FailSafe | 1 | SetOTPPParam | Triggers autonomous motion after LIN lost at POR. See also LIN lost behavior | |
| Stall detection delay | FS2StallEn | 3 | GetFullStatus SetStallParam | Delays the stall detection after acceleration | |
| Stall detection sampling | MinSamples | 3 | GetFullStatus SetStallParam | Duration of the zero current step in number of PWM cycles. | '000' |
| PWM Jitter | PWMJEn | 1 | GetFullStatus SetStallParam | '1' means jitter is added | '0' |
| 100% duty cycle Stall Enable | DC100StEn | 1 | GetFullStatus SetStallParam | '1' means stall detection is enabled in case PWM regulator runs at $\delta = 100\%$ | '0' |
| PWM frequency | PWMFreq | 1 | GetFullStatus SetMotorParam | '0' means ~ 22 KHz, '1' means ~ 44 KHz | '0' |

Table 20. FLAGS TABLE

| Flag | Mnemonic | Length (bit) | Related Commands | Comment | Reset State |
|-----------------------------|------------|--------------|--|---|-------------|
| Charge pump failure | CPFail | 1 | GetFullStatus | '0' = charge pump OK '1' = charge pump failure Resets only after GetFullStatus | '0' |
| Electrical defect | EIDef | 1 | GetActualPos GetStatus GetFullStatus | <OVC1> or <OVC2> or 'open-load on coil X' or 'open-load on coil XY or <CPFail> Resets only after Get(Full)Status | '0' |
| External switch status | ESW | 1 | GetActualPos GetStatus GetFullStatus | '0' = open '1' = close | '0' |
| Electrical flag | HS | 1 | Internal use | <CPFail> or <UV2> or <EIDef> or <VDDreset> | '0' |
| Motion status | Motion | 3 | GetFullStatus | "x00" = Stop "001" = inner (CCW) motion acceleration "010" = inner (CCW) motion deceleration "011" = inner (CCW) motion max. speed "101" = outer (CW) motion acceleration "110" = outer (CW) motion deceleration "111" = outer (CW) motion max. speed | "000" |
| Over current in coil X | OVC1 | 1 | GetFullStatus | '1' = over current; reset only after GetFullStatus | '0' |
| Over current in coil Y | OVC2 | 1 | GetFullStatus | '1' = over current; reset only after GetFullStatus | '0' |
| Secure position enabled | SecEn | 1 | Internal use | '0' if <SecPos> = "100 0000 0000" '1' otherwise | n.a. |
| Circuit going to Sleep mode | Sleep | 1 | Internal use | '1' = Sleep mode reset by LIN command | '0' |
| Step loss | StepLoss | 1 | GetActualPos GetStatus GetFullStatus | '1' = step loss due to under voltage, over current, open circuit or stall; Resets only after GetFullStatus or GetActualPos | '1' |
| Delta High Stall | DelStallHi | 1 | GetFullStatus | '1' = $V_{bemf} > U_{bemf} + \Delta_{thr}$ | '0' |
| Delta Low Stall | DelStallLo | 1 | GetFullStatus | '1' = $V_{bemf} < U_{bemf} - \Delta_{thr}$ | '0' |
| Absolute Stall | AbsStall | 1 | GetFullStatus | '1' = $V_{bemf} < Abs_{thr}$ | '0' |
| Stall | Stall | 1 | GetFullStatus GetStatus | | '0' |
| Motor stop | Stop | 1 | Internal use | | '0' |
| Temperature info | Tinfo | 2 | GetActualPos GetStatus GetFullStatus | "00" = normal temperature range "01" = low temperature warning "10" = high temperature warning "11" = motor shutdown | "00" |
| Thermal shutdown | TSD | 1 | GetActualPos GetStatus GetFullStatus | '1' = shutdown ($T_j > T_{tsd}$) Resets only after Get(Full)Status and if <Tinfo> = "00" | '0' |
| Thermal warning | TW | 1 | GetActualPos GetStatus GetFullStatus | '1' = over temperature ($T_j > T_{tw}$) Resets only after Get(Full)Status and if <Tinfo> = "00" | '0' |
| Battery stop voltage | UV2 | 1 | GetActualPos GetStatus GetFullStatus | '0' = $V_{BB} > UV2$ '1' = $V_{BB} \leq UV2$ Resets only after Get(Full)Status | '0' |
| Digital supply reset | VddReset | 1 | GetActualPos GetStatus GetFullStatus | Set at '1' after power-up of the circuit. If this was due to a supply micro-cut, it warns that the RAM contents may have been lost; can be reset to '0' with a GetStatus or a Get(Full)Status command | '1' |




Priority Encoder

The table below describes the simplified state management performed by the main control block.

Table 21. PRIORITY ENCODER

| State → | Standby | Stopped | GotoPos | DualPosition | SoftStop | HardStop | ShutDown | Sleep | HardUnder | ShutUnder |
|--|---|---|---|---|--|--|---|---------------------------|--|-----------------------------|
| Command ↓ | | Motor Stopped, lhold in Coils | Motor Motion Ongoing | No Influence on RAM and TagPos | Motor Decelerating | Motor Forced to Stop | Motor Stopped, H-bridges in Hi-Z | No Power (Note 27) | | |
| GetActualPos | LIN in-frame response | LIN in-frame response | LIN in-frame response | LIN in-frame response | LIN in-frame response | LIN in-frame response | LIN in-frame response | | LIN in-frame response | LIN in-frame response |
| GetOTParam | LIN in-frame response | LIN in-frame response | LIN in-frame response | LIN in-frame response | LIN in-frame response | LIN in-frame response | LIN in-frame response | | LIN in-frame response | LIN in-frame response |
| GetFullStatus or GetStatus [attempt to clear <TSD> and <HS> flags] | LIN in-frame response; if (<TSD> or <HS>) = '0' then → Stopped | LIN in-frame response | LIN in-frame response | LIN in-frame response | LIN in-frame response | LIN in-frame response | LIN in-frame response; if (<TSD> or <HS>) = '0' then → Stopped | | LIN in-frame response | |
| SetMotorParam [Master takes care about proper update] | RAM update | RAM update | RAM update | RAM update | RAM update | RAM update | RAM update | | RAM update | RAM update |
| ResetPosition | | <TagPos> and <ActPos> reset | | | | | <TagPos> and <ActPos> reset | | | <TagPos> and <ActPos> reset |
| SetPosition | | <TagPos> updated; → GotoPos | <TagPos> updated | <TagPos> updated | | | | | | |
| SetPositionShort | | <TagPos> updated; → GotoPos | <TagPos> updated | <TagPos> updated | | | | | | |
| GotoSecPosition | | If <SecEn> = '1' then <TagPos> = <SecPos>; → GotoPos | If <SecEn> = '1' then <TagPos> = <SecPos> | If <SecEn> = '1' then <TagPos> = <SecPos> | | | | | | |
| DualPosition | | → DualPosition | | | | | | | | |
| SoftStop | | | → SoftStop | | | | | | | |
| Sleep or LIN timeout [⇒ <Sleep> = '1', reset by any LIN command received later] | → Sleep | (Note 35) | If <SecEn> = '1' then <TagPos> = <SecPos>; else → SoftStop | If <SecEn> = '1' then <TagPos> = <SecPos>; will be evaluated after DualPosition | No action; <Sleep> flag will be evaluated when motor stops | No action; <Sleep> flag will be evaluated when motor stops | No action; <Sleep> flag will be evaluated when motor stops | | No action; <Sleep> flag will be evaluated when motor stops | |
| HardStop | | | → HardStop | → HardStop | → HardStop | | | | | |
| V _{BB} < UV2 and t > 15 seconds | | → HardUnder | → HardUnder | → HardStop | → HardUnder | | | | | |
| V _{BB} < UV2 and t < 15 seconds | | | | | | | | | | → Stopped |
| <EIDef> = '1' ⇒ <HS> = '1' | | → Shutdown | → HardStop; <StepLoss> = '1' | → HardStop; <StepLoss> = '1' | → HardStop; <StepLoss> = '1' | | | | | → Shutdown |
| Thermal shutdown [<TSD> = '1'] | | → Shutdown | → SoftStop | → SoftStop | | | | | | → Shutdown |
| Motion finished | | n.a. | → Stopped | → Stopped | → Stopped; <TagPos> = <ActPos> | → Stopped; <TagPos> = <ActPos> | n.a. | n.a. | | |

With the Following Color Code:

| | | |
|---|---|---|
|  Command Ignored |  Transition to Another State |  Master is responsible for proper update (see Note 33) |
|---|---|---|

NOTE: See table notes on the following page.

27. Leaving <Sleep> state is equivalent to power-on-reset.
28. After power-on-reset, the <Standby> state is entered.
29. A DualPosition sequence runs with a separate set of RAM registers. The parameters that are not specified in a DualPosition command are loaded with the values stored in RAM at the moment the DualPosition sequence starts. <AccShape> is forced to '1' during second motion. <AccShape> at '0' will be taken into account after the DualPosition sequence. A GetFullStatus command will return the default parameters for <Vmax> and <Vmin> stored in RAM.
30. The <Sleep> flag is set to '1' when a LIN timeout or a Sleep command occurs. It is reset by the next LIN command (<Sleep> is cancelled if not activated yet).
31. Shutdown state can be left only when <TSD> and <HS> flags are reset.
32. Flags can be reset only after the master could read them via a GetStatus or GetFullStatus command, and provided the physical conditions allow for it (normal temperature, correct battery voltage and no electrical or charge pump defect).
33. A SetMotorParam command sent while a motion is ongoing (state <GotoPos>) should not attempt to modify <Acc> and <Vmin> values. This can be done during a DualPosition sequence since this motion uses its own parameters, the new parameters will be taken into account at the next SetPosition or SetPositionShort command.
34. Some transitions like <GotoPos> → <Sleep> are actually done via several states: <GotoPos> → <SoftStop> → <Stopped> → <Sleep> (see diagram below).
35. Two transitions are possible from state <Stopped> when <Sleep> = '1':
 - 1) Transition to state <Sleep> if (<SecEn> = '0') or ((<SecEn> = '1') and (<ActPos> = <SecPos>)) or <Stop> = '1'
 - 2) Otherwise transition to state <GotoPos>, with <TagPos> = <SecPos>
36. <SecEn> = '1' when register <SecPos> is loaded with a value different from the most negative value (i.e. different from 0x400 = "100 0000 0000").
37. <Stop> flag allows distinguishing whether state <Stopped> was entered after HardStop/SoftStop or not. <Stop> is set to '1' when leaving state <HardStop> or <SoftStop> and is reset during first clock edge occurring in state <Stopped>.
38. Command for dynamic assignment of Ids is decoded in all states except <Sleep> and has no effect on the current state.
39. While in state <Stopped>, if <ActPos> → <TagPos> there is a transition to state <GotoPos>. This transition has the lowest priority, meaning that <Sleep>, <Stop>, <TSD>, etceteras are first evaluated for possible transitions.
40. If <StepLoss> is active, then SetPosition, SetPositionShort and GotoSecurePosition commands **are not** ignored. <StepLoss> can only be cleared by a GetStatus or GetFullStatus command.

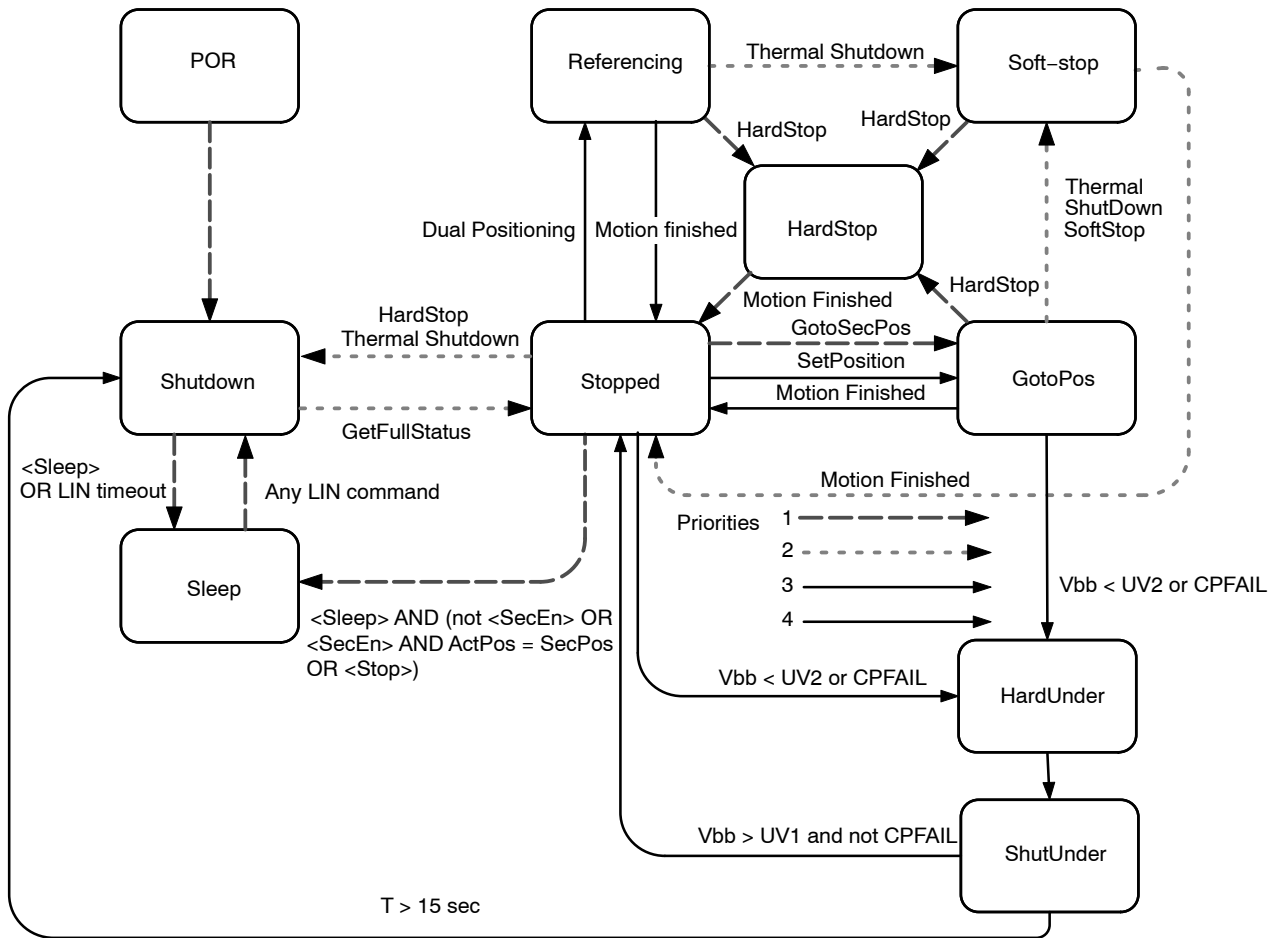


Figure 16. Simplified State Diagram

Remark: IF <SleepEn> = 0, then the arrow from stopped state to sleep state does not exist.

Motordriver

Current Waveforms in the Coils

Figure 17 below illustrates the current fed to the motor coils by the motordriver in half-step mode.

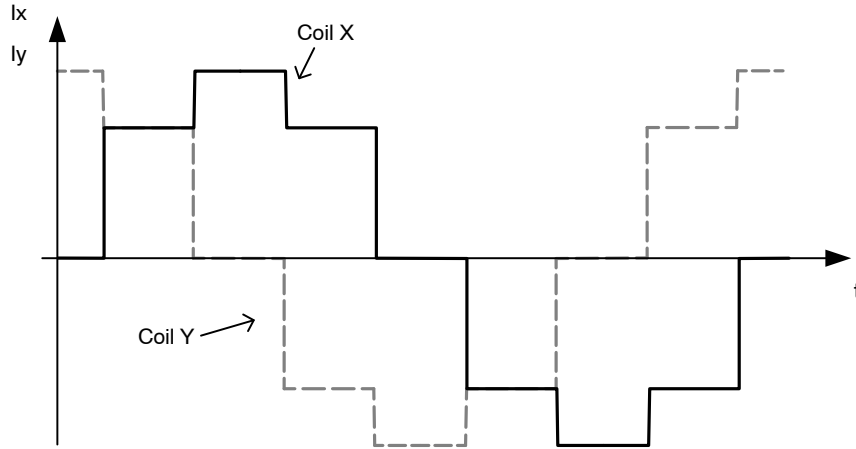


Figure 17. Current Waveforms in Motor Coils X and Y in Halfstep Mode

Whereas Figure 18 below shows the current fed to the coils in 1/16th micro stepping (1 electrical period).

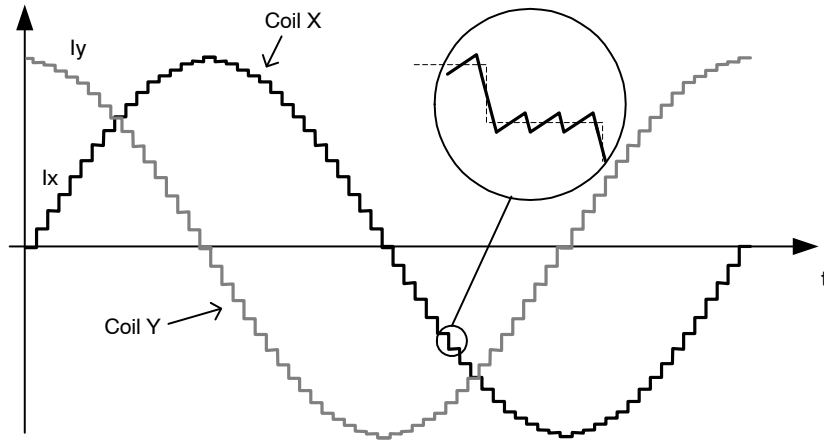


Figure 18. Current Waveforms in Motor Coils X and Y in 1/16th Micro-Step Mode

PWM Regulation

In order to force a given current (determined by <Irun> or <Ihold> and the current position of the rotor) through the motor coil while ensuring high energy transfer efficiency, a regulation based on PWM principle is used. The regulation loop performs a comparison of the sensed output current to an internal reference, and features a digital regulation generating the PWM signal that drives the output switches. The zoom over one micro-step in the Figure 18 above shows how the PWM circuit performs this regulation. To reduce the current ripple, a higher PWM frequency is selectable. The RAM register PWMfreq is used for this.

Table 22. PWM FREQUENCY SELECTION

| PWMfreq | Applied PWM Frequency |
|---------|-----------------------|
| 0 | 22,8 kHz |
| 1 | 45,6 kHz |

PWM Jitter

To lower the power spectrum for the fundamental and higher harmonics of the PWM frequency, jitter can be added to the PWM clock. The RAM register <PWMJEn> is used for this.

Table 23. PWM JITTER SELECTION

| PWMJEn | Status |
|--------|-------------------------------|
| 0 | Single PWM frequency |
| 1 | Added jitter to PWM frequency |

Motor Starting Phase

At motion start, the currents in the coils are directly switched from **<Ihold>** to **<Irun>** with a new sine/cosine ratio corresponding to the first half (or micro-) step of the motion.

Motor Stopping Phase

At the end of the deceleration phase, the currents are maintained in the coils at their actual DC level (hence keeping the sine/cosine ratio between coils) during the stabilization time t_{stab} (see [AC Table](#)). The currents are then set to the hold values, respectively **Ihold** x sin(TagPos) and **Ihold** x cos(TagPos), as illustrated below. A new positioning order can then be executed.

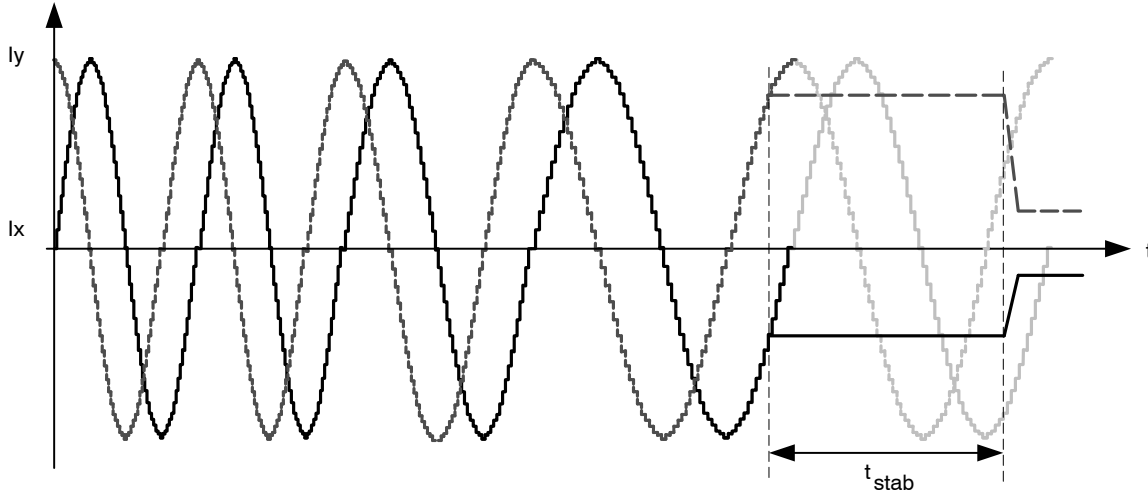


Figure 19. Motor Stopping Phase

Charge Pump Monitoring

If the charge pump voltage is not sufficient for driving the high side transistors (due to failure), an internal **HardStop** command is issued. This is acknowledged to the master by raising flag **<CPFail>** (available with command **GetFullStatus**).

In case this failure occurs while a motion is ongoing, the flag **<StepLoss>** is also raised.

Electrical Defect on Coils, Detection and Confirmation

The principle relies on the detection of a voltage drop on at least one transistor of the H-bridge. Then the decision is taken to open the transistors of the defective bridge.

This allows the detection the following short circuits:

- External coil short circuit
- Short between one terminal of the coil and Vbat or Gnd

One cannot detect an internal short in the motor.

Open circuits are detected by 100% PWM duty cycle value during one electrical period with duration, determined by V_{min} .

Table 24. ELECTRICAL DEFECT DETECTION

| Pins | Fault Mode |
|-----------|-----------------------|
| Yi or Xi | Short-circuit to GND |
| Yi or Xi | Short-circuit to Vbat |
| Yi or Xi | Open |
| Y1 and Y2 | Short circuited |
| X1 and X2 | Short circuited |
| Xi and Yi | Short circuited |

Motor Shutdown Mode

A motor shutdown occurs when:

- The chip temperature rises above the thermal shutdown threshold T_{tsd} (see [Thermal Shutdown Mode](#)).
- The battery voltage goes below UV2 for longer than 15 seconds (see [Battery Voltage Management](#)).
- The charge pump voltage goes below the charge pump comparator level for more than 15 seconds.
- Flag **<ElDef>** = '1', meaning an electrical problem is detected on one or both coils, e.g. a short circuit.

A motor shutdown leads to the following:

- H-bridges in high impedance mode.
- The **<TagPos>** register is loaded with the **<ActPos>**, except in autarkic states.
- The LIN interface remains active, being able to receive orders or send status.

The conditions to get out of a motor shutdown mode are:

- Reception of a **GetStatus** or **GetFullStatus** command **AND**
- The four above causes are no longer detected

This leads to H-bridges going in Ihold mode. Hence, the circuit is ready to execute any positioning command.

This can be illustrated in the following sequence given as an application example. The master can check whether there is a problem or not and decide which application strategy to adopt.

Table 25. Example of Possible Sequence used to Detect and Determine Cause of Motor Shutdown

| $T_j \geq T_{sd}$ or $V_{BB} \leq UV2 (>15s)$ or $\langle E1Def \rangle = '1'$ or $\langle CPFail \rangle = '1' (>15s)$ ↓ | SetPosition frame ↓ | GetFullStatus or GetStatus frame ↓ | GetFullStatus or GetStatus frame ↓... |
|---|--|---|---|
| - The circuit is driven in motor shutdown mode - The application is <u>not</u> aware of this | - The position set-point is updated by the LIN Master - Motor shutdown mode ⇒ no motion - The application is still unaware | - The application is aware of a problem | - Possible confirmation of the problem |
| | | - Reset $\langle TW \rangle$ or $\langle TSD \rangle$ or $\langle UV2 \rangle$ or $\langle StepLoss \rangle$ or $\langle E1Def \rangle$ or $\langle CPFail \rangle$ by the application - Possible new detection of over temperature or low voltage or electrical problem ⇒ Circuit sets $\langle TW \rangle$ or $\langle TSD \rangle$ or $\langle UV2 \rangle$ or $\langle StepLoss \rangle$ or $\langle E1Def \rangle$ or $\langle CPFail \rangle$ again at '1' | |

Important: While in shutdown mode, since there is no hold current in the coils, the mechanical load can cause a step loss, which indeed cannot be flagged by the AMIS-30623.

If the LIN communication is lost while in shutdown mode, the circuit enters the sleep mode immediately.

Note: The Priority Encoder is describing the management of states and commands.

Warning: The application should limit the number of consecutive GetStatus or GetFullStatus commands to try to get the AMIS-30623 out of shutdown mode when this proves to be unsuccessful, e.g. there is a permanent defect. The reliability of the circuit could be altered since Get(Full)Status attempts to disable the protection of the H-bridges.

Motion Detection

Motion detection is based on the back emf generated internally in the running motor. When the motor is blocked, e.g. when it hits the end-stop, the velocity and as a result also the generated back emf, is disturbed. The AMIS-30623

senses the back emf, calculates a moving average and compares the value with two independent threshold levels: Absolute threshold (AbsThr[3:0]) and Delta threshold (DelThr[3:0]). Instructions for correct use of these two levels in combination with three additional parameters (MinSamples), FS2StallEn and DC10StEn) are available in a dedicated Application Note “Robust Motion Control with AMIS-3062x Stepper Motor Drivers”.

If the motor is accelerated by a pulling or propelling force and the resulting back emf increases above the Delta threshold (+ ΔTHR), then DelStallHi is set. When the motor is slowing down and the resulting back emf decreases below the Delta threshold (- ΔTHR), then DelStallLo is set. When the motor is blocked and the velocity is zero after the acceleration phase, the back emf is low or zero. When this value is below the Absolute threshold, AbsStall is set. The Stall flag is the OR function of DelStallLo OR DelStallHi OR AbsStall.

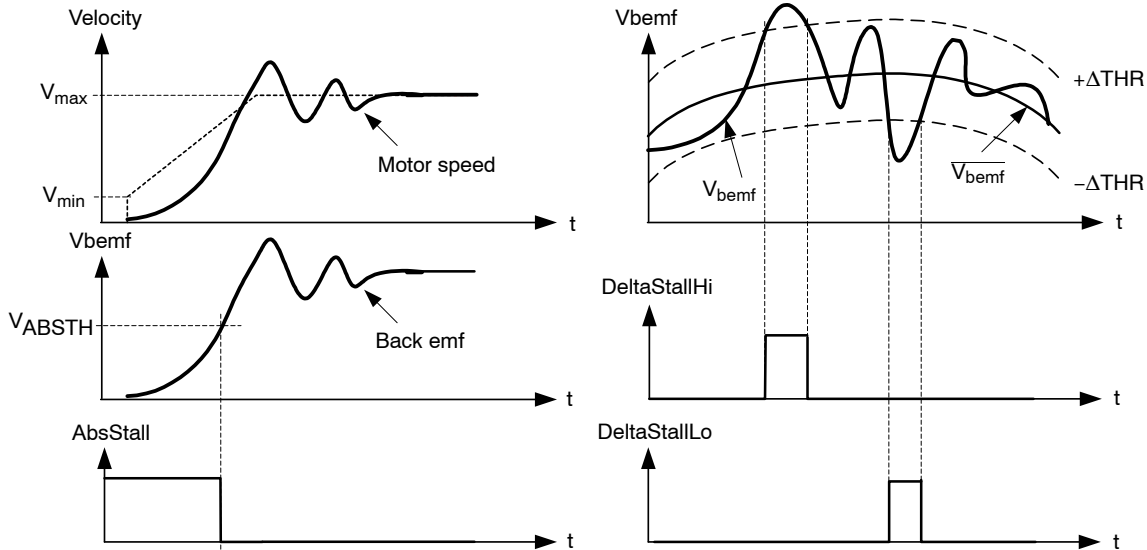


Figure 20. Triggers of the Stall Flags in Function of Measured Backemf and the Set Threshold Levels

Table 26. TRUTH TABLE

| Condition | <DelStallLo> | <DelStallHi> | <AbsStall> | <Stall> |
|--------------------------|--------------|--------------|------------|---------|
| Vbemf < Average – DelThr | 1 | 0 | 0 | 1 |
| Vbemf > Average + DelThr | 0 | 1 | 0 | 1 |
| Vbemf < AbsThr | 0 | 0 | 1 | 1 |

By design, the motion will only be detected when the motor is running at the maximum velocity, not during acceleration or deceleration.

If the motor is positioning when Stall is detected, an (internal) hardstop of the motor is generated and the <StepLoss> and <Stall> flags are set. These flags can only be reset by sending a GetFullStatus command.

If Stall appears during DualPosition then the first phase is cancelled (via internal hardstop) and after timeout Tstab (see AC table) the second phase at Vmin starts.

When the <Stall> flag is set the position controller will generate an internal HardStop. As a consequence also the <StepLoss> flag will be set. The position in the internal counter will be copied to the <ActPos> register. All flags can be read out with the GetStatus or GetFullStatus command.

Important Remark (limited to motion detection flags / parameters):

Using GetFullStatus will read **AND** clear the following flags: <StepLoss>, <Stall>, <AbsStall>, <DelStallLo> and <DelStallHi>. New positioning is possible and the <ActPos> register will be further updated.

Using GetStatus will read **AND** clear **ONLY** the <StepLoss> flag. The <Stall>, <AbsStall>, <DelStallLo> and <DelStallHi> flags are **NOT** cleared. New positioning is possible and the <ActPos> register will be further updated.

Motion detection is disabled when the RAM registers <AbsThr[3:0]> and <DelThr[3:0]> are zero. Both levels can be programmed using the LIN command SetStallParam in the registers <AbsThr[3:0]> and <DelThr[3:0]>. Also the OTP register <AbsThr[3:0]> and <DelThr[3:0]> can be set using the LIN command SetOTPParm. These values are copied in the RAM registers during power on reset.

Table 27. ABSOLUTE AND DELTA THRESHOLD SETTINGS

| AbsThr Index | AbsThr Level (V) (*) | DelThr Index | DelThr Level (V) (*) |
|--------------|----------------------|--------------|----------------------|
| 0 | Disable | 0 | Disable |
| 1 | 0.5 | 1 | 0.25 |
| 2 | 1.0 | 2 | 0.50 |
| 3 | 1.5 | 3 | 0.75 |
| 4 | 2.0 | 4 | 1.00 |
| 5 | 2.5 | 5 | 1.25 |
| 6 | 3.0 | 6 | 1.50 |
| 7 | 3.5 | 7 | 1.75 |
| 8 | 4.0 | 8 | 2.00 |
| 9 | 4.5 | 9 | 2.25 |
| A | 5.0 | A | 2.50 |
| B | 5.5 | B | 2.75 |
| C | 6.0 | C | 3.00 |
| D | 6.5 | D | 3.25 |
| E | 7.0 | E | 3.50 |
| F | 7.5 | F | 3.75 |

(*) Not tested in production. Values are approximations.

MinSamples

<MinSamples[2:0]> is a programmable delay timer. After the zero crossing is detected, the delay counter is started. After the delay time-out (t_{delay}) the back-emf sample is taken. For more information please refer to the Application Note “Robust Motion Control with AMIS-3062x Stepper Motor Drivers”.

Table 28. BACK EMF SAMPLE DELAY TIME

| Index | MinSamples[2:0] | t _{DELAY} (µs) |
|-------|-----------------|-------------------------|
| 0 | 000 | 87 |
| 1 | 001 | 130 |
| 2 | 010 | 174 |
| 3 | 011 | 217 |
| 4 | 100 | 261 |
| 5 | 101 | 304 |
| 6 | 110 | 348 |
| 7 | 111 | 391 |

FS2StallEn

If <AbsThr> or <DelThr> <> 0 (i.e. motion detection is enabled), then stall detection will be activated AFTER the acceleration ramp + an additional number of full-steps, according to the following table:

Table 29.
ACTIVATION DELAY OF MOTION DETECTION

| Index | FS2StallEn[2:0] | Delay (Full Steps) |
|-------|-----------------|--------------------|
| 0 | 000 | 0 |
| 1 | 001 | 1 |
| 2 | 010 | 2 |
| 3 | 011 | 3 |
| 4 | 100 | 4 |
| 5 | 101 | 5 |
| 6 | 110 | 6 |
| 7 | 111 | 7 |

DC100StEn

When a motor with large bemf is operated at high speed and low supply voltage, then the PWM duty cycle can be as

high as 100%. This indicates that the supply is too low to generate the required torque and might also result in erroneously triggering the stall detection. The bit <DC100StEn> enables stall detection when duty cycle is 100%. For more information please refer to the Application Note “Robust Motion Control with AMIS-3062x Stepper Motor Drivers”.

Motion Qualification Mode (*)

This mode is useful to debug motion parameters and to verify the stability of stepper motor systems. The motion qualification mode is entered by means of the LIN command TestBemf. The SWI pin will be converted into an analogue output on which the Back EMF integrator output can be measured. Once activated, it can only be stopped after a POR. During the Back emf observation, reading of the SWI state is internally forbidden.

(*) **Note:** Not applicable for product versions AMIS30623C6238(R)G and AMIS30623C623B(R)G.

More information is available in the Application Note “Robust Motion Control with AMIS-3062x Stepper Motor Drivers”.

LIN CONTROLLER

General Description

The LIN (local interconnect network) is a serial communications protocol that efficiently supports the control of mechatronics nodes in distributed automotive applications. The physical interface implemented in the AMIS-30623 is compliant to the LIN rev. 2.0 & 2.1 specifications. It features a slave node, thus allowing for:

- single-master / multiple-slave communication
- self synchronization without quartz or ceramics resonator in the slave nodes
- guaranteed latency times for signal transmission
- single-signal-wire communication
- transmission speed of 19.2 kbit/s

- selectable length of Message Frame: 2, 4, and 8 bytes
- configuration flexibility
- data checksum (classic checksum, cf. LIN1.3) security and error detection
- detection of defective nodes in the network

It includes the analog physical layer and the digital protocol handler.

The analog circuitry implements a low side driver with a pull-up resistor as a transmitter, and a resistive divider with a comparator as a receiver. The specification of the line driver/receiver follows the ISO 9141 standard with some enhancements regarding the EMI behavior.

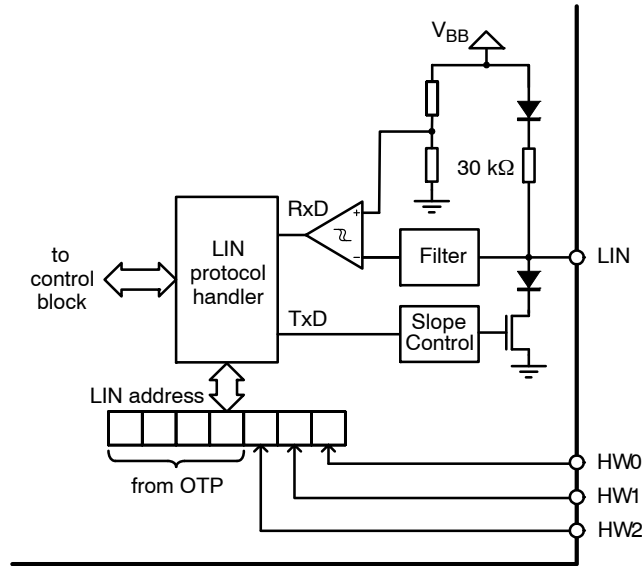


Figure 21. LIN Interface

Slave Operational Range for Proper Self Synchronization

The LIN interface will synchronize properly in the following conditions:

- Vbat ≥ 8 V
- Ground shift between master node and slave node < ±1 V

It is highly recommended to use the same type of reverse battery voltage protection diode for the Master and the Slave nodes.

Functional Description

Analog Part

The transmitter is a low-side driver with a pull-up resistor and slope control. The receiver mainly consists of a comparator with a threshold equal to $V_{BB}/2$. Figure 5 shows

the characteristics of the transmitted and received signal. See AC Parameters for timing values.

Protocol Handler

This block implements:

- Bit synchronization
- Bit timing
- The MAC layer
- The LLC layer
- The supervisor

Error Status Register

The LIN interface implements a register containing an error status of the LIN communication. This register is as follows:

Table 30. LIN ERROR REGISTER

| Bit 7 | Bit 6 | Bit 5 | Bit 4 | Bit 3 | Bit 2 | Bit 1 | Bit 0 |
|----------|----------|----------|----------|----------------|-----------------|-------------------|----------------|
| Not used | Not used | Not used | Not used | Time out error | Data error Flag | Header error Flag | Bit error Flag |

With:

Data error flag: (= Checksum error + StopBit error + Length error)

Header error flag: (= Parity error + SynchField error)

Time out flag: The message frame is not fully completed within the maximum length

Bit error flag: Difference in bit sent and bit monitored on the LIN bus

A `GetFullStatus` frame will reset the error status register.

Physical Address of the Circuit

The circuit must be provided with a physical address in order to discriminate this circuit from other ones on the LIN bus. This address is coded on 7 bits, yielding the theoretical possibility of 128 different circuits on the same bus. It is a combination of 4 OTP memory bits and of the 3 hardwired address bits (pins HW[2:0]). However the maximum number of nodes in a LIN network is also limited by the physical properties of the bus line. It is recommended to limit the number of nodes in a LIN network to not exceed 16. Otherwise the reduced network impedance may prohibit a fault free communication under worst case conditions. Every additional node lowers the network impedance by approximately 3%.

| | | | | | | | |
|-----|-----|-----|-----|-----|-----|-----|------------------|
| AD6 | AD5 | AD4 | AD3 | AD2 | AD1 | AD0 | Physical address |
| ↑ | ↑ | ↑ | PA3 | PA2 | PA1 | PA0 | OTP memory |
| HW0 | HW1 | HW2 | | | | | Hardwired bits |

NOTE: Pins HW0 and HW1 are 5 V digital inputs, whereas pin HW2 is compliant with a 12 V level, e.g. it can be connected to Vbat or Gnd via a terminal of the PCB. For `SetPositionShort` it is recommended to set HW0, HW1 and HW2 to '1'.

LIN Frames

The LIN frames can be divided in writing and reading frames. A frame is composed of an 8-bit Identifier followed by 2, 4 or 8 data-bytes and a checksum byte.

Note: The checksum is conform LIN1.3, classic checksum calculation over only data bytes. (Checksum is an inverted 8-bit sum with carry over all data bytes.)

Writing frames will be used to:

- Program the OTP Memory;
- Configure the component with the stepper-motor parameters (current, speed, stepping-mode, etc.);
- Provide set-point position for the stepper-motor;
- Control the motion state machine.

Whereas reading frames will be used to:

- Get the actual position of the stepper-motor;
- Get status information such as error flags;
- Verify the right programming and configuration of the component.

Writing Frames

The LIN master sends commands and/or information to the slave nodes by means of a writing frame. According to the LIN specification, identifiers are to be used to determine a specific action. If a physical addressing is needed, then some bits of the data field can be dedicated to this, as illustrated in the example below.

| Identifier Byte | | | | | | | Data Byte 1 | | | | Data Byte 2 | | | | |
|-----------------|-----|-----|-----|-----|-----|-----|---------------|--|--|--|------------------------------------|--|--|--|--|
| ID0 | ID1 | ID2 | ID3 | ID4 | ID5 | ID6 | ID7 | | | | | | | | |
| | | | | | | | phys. address | | | | command parameters (e.g. position) | | | | |

<ID6> and <ID7> are used for parity check over <ID0> to <ID5>, conform LIN1.3 specification. <ID6> = <ID0> ⊗ <ID1> ⊗ <ID2> ⊗ <ID4> (even parity) and <ID7> = NOT(<ID1> ⊗ <ID3> ⊗ <ID4> ⊗ <ID5>) (odd parity).

Another possibility is to determine the specific action within the data field in order to use less identifiers. One can for example use the reserved identifier 0x3C and take advantage of the 8 byte data field to provide a physical address, a command and the needed parameters for the action, as illustrated in the example below.

| ID | Data Byte 1 | Data Byte 2 | Data Byte 3 | Data Byte 4 | Data Byte 5 | Data Byte 6 | Data Byte 7 | Data Byte 8 |
|------|-------------|-------------|------------------|-------------|-------------|-------------|-------------|-------------|
| 0x3C | 00 | 1 | | | | | | |
| | AppCmd | command | physical address | parameters | | | | |

NOTE: Bit 7 of Data byte 1 must be at '1' since the LIN specification requires that contents from 0x00 to 0x7F must be reserved for broadcast messages (0x00 being for the "Sleep" message). See also LIN command `Sleep`

The writing frames used with the AMIS-30623 are the following:

Type #1: General purpose 2 or 4 data bytes writing frame with a dynamically assigned identifier. This type is dedicated to short writing actions when the bus load can be an issue. They are used to provide direct command to one (<Broad> = '1') or all the slave nodes

(<Broad> = '0'). If <Broad> = '1', the physical address of the slave node is provided by the 7 remaining bits of DATA2. DATA1 will contain the command code (see Dynamic assignment of Identifiers), while, if present, DATA3 to DATA4 will contain the command parameters, as shown below.

AMIS-30623

| ID | | | | | | | | Data1 | Data2 | Data3... | |
|-----|-----|-----|-----|-----|-----|-----|-----|---------|------------------|----------|---------------|
| ID0 | ID1 | ID2 | ID3 | ID4 | ID5 | ID6 | ID7 | command | Physical address | Broad | Parameters... |

NOTE: <ID4> and <ID5> indicate the number of data bytes.

| ID5 | ID4 | Ndata (number of data fields) |
|-----|-----|-------------------------------|
| 0 | 0 | 2 |
| 0 | 1 | 2 |
| 1 | 0 | 4 |
| 1 | 1 | 8 |

1. A reading frame with indirect ID must always be consecutive to a preparing frame. It will otherwise not be taken into account.
2. A reading frame will always return the physical address of the answering slave node in order to ensure robustness in the communication.

The reading frames, used with the AMIS-30623, are the following:

Type #2: two, four or eight data bytes writing frame with an identifier dynamically assigned to an application command, regardless of the physical address of the circuit.

Type #3: two data bytes writing frame with an identifier dynamically assigned to a particular slave node together with an application command. This type of frame requires that there are as many dynamically assigned identifiers as there are AMIS-30623 circuits using this command connected to the LIN bus.

Type #4: eight data bytes writing frame with 0x3C identifier.

Type #5: two, four or eight Data bytes reading frame with a direct identifier dynamically assigned to a particular slave node together with an application command. A preparing frame is not needed.

Type #6: eight Data bytes reading frame with 0x3D identifier. This is intrinsically an indirect type, needing therefore a preparation frame. It has the advantage to use a reserved identifier. (Note: because of the parity calculation done by the master, the identifier becomes 0x7D as physical data over the bus).

Reading Frames

A reading frame uses an in-frame response mechanism. That is: the master initiates the frame (synchronization field + identifier field), and one slave sends back the data field together with the check field. Hence, two types of identifiers can be used for a reading frame:

- Direct ID, which points at a particular slave node, indicating at the same time which kind of information is awaited from this slave node, thus triggering a specific command. This ID provides the fastest access to a read command but is forbidden for any other action.
- Indirect ID, which only specifies a reading command, the physical address of the slave node that must answer having been passed in a previous writing frame, called a preparing frame. Indirect ID gives more flexibility than a direct one, but provides a slower access to a read command.

Preparing Frames

A preparing frame is a frame from the master that warns a particular slave node that it will have to answer in the next frame (being a reading frame). A preparing frame is needed when a reading frame does not use a dynamically assigned direct ID. Preparing and reading frames must be consecutive. A preparing frame will contain the physical address of the LIN slave node that must answer in the reading frame and will also contain a command indicating which kind of information is awaited from the slave.

The preparing frames used with the AMIS-30623 can be of type #7 or type #8 described below.

Type #7: two data bytes writing frame with dynamically assigned identifier. The identifier of the preparing frame has to be assigned to ROM pointer 1000, see Table 34.

Table 31. PREPARING FRAME #7

| Byte | Content | Structure | | | | | | | | |
|------|------------|--------------------|----------|-------|-------|-------|-------|-------|-------|--|
| | | Bit 7 | Bit 6 | Bit 5 | Bit 4 | Bit 3 | Bit 2 | Bit 1 | Bit 0 | |
| 0 | Identifier | * | * | 0 | ID4 | ID3 | ID2 | ID1 | ID0 | |
| 1 | Data 1 | 1 | CMD[6:0] | | | | | | | |
| 2 | Data 2 | 1 | AD[6:0] | | | | | | | |
| 3 | Checksum | Checksum over data | | | | | | | | |

Where:

(*) According to parity computation

Type #8: eight data bytes preparing frame with 0x3C identifier.

Table 32. PREPARING FRAME #8

| Byte | Content | Structure | | | | | | | |
|------|------------|--------------------|----------|-------|-------|-------|-------|-------|-------|
| | | Bit 7 | Bit 6 | Bit 5 | Bit 4 | Bit 3 | Bit 2 | Bit 1 | Bit 0 |
| 0 | Identifier | 0 | 0 | 1 | 1 | 1 | 1 | 0 | 0 |
| 1 | Data 1 | AppCMD = ... | | | | | | | |
| 2 | Data 2 | 1 | CMD[6:0] | | | | | | |
| 3 | Data 3 | 1 | AD[6:0] | | | | | | |
| 4 | Data 4 | Data4[7:0] FF | | | | | | | |
| 5 | Data 5 | Data5[7:0] FF | | | | | | | |
| 6 | Data 6 | Data6[7:0] FF | | | | | | | |
| 7 | Data 7 | Data7[7:0] FF | | | | | | | |
| 8 | Data 8 | Data8[7:0] FF | | | | | | | |
| 9 | Checksum | Checksum over data | | | | | | | |

Where:

AppCMD: If = '0x80' this indicates that Data 2 contains an application command

CMD[6:0]: Application Command "byte"

AD[6:0]: Slave node physical address

Data[7:0]: Data transmitted

Dynamic Assignment of Identifiers

The identifier field in the LIN datagram denotes the content of the message. Six identifier bits and two parity bits are used to represent the content. The identifiers 0x3C and 0x3F are reserved for command frames and extended frames. Slave nodes need to be very flexible to adapt itself to a given LIN network in order to avoid conflicts with slave nodes from different manufacturers. Dynamic assignment of the identifiers will fulfill this requirement by writing identifiers into the circuits RAM. ROM pointers are linking commands and dynamic identifiers together. A writing

frame with identifier 0x3C issued by the LIN master will write dynamic identifiers into the RAM. One writing frame is able to assign 4 identifiers; therefore 3 frames are needed to assign all identifiers. Each ROM pointer <ROMp_x [3:0]> place the corresponding dynamic identifier <Dyn_ID_x [5:0]> at the correct place in the RAM (see Table below: LIN – Dynamic Identifiers Writing Frame).

When setting <Broad> to zero broadcasting is active and each slave on the LIN bus will store the same dynamic identifiers, otherwise only the slave with the corresponding slave address is programmed.

Table 33. DYNAMIC IDENTIFIERS WRITING FRAME

| Byte | Content | Structure | | | | | | | |
|------|------------|--------------------|-------|--------------|-------|--------------|--------------|-------------|-------|
| | | Bit 7 | Bit 6 | Bit 5 | Bit 4 | Bit 3 | Bit 2 | Bit 1 | Bit 0 |
| 0 | Identifier | 0x3C | | | | | | | |
| 1 | AppCMD | 0x80 | | | | | | | |
| 2 | CMD | 1 | 0x11 | | | | | | |
| 3 | Address | Broad | AD6 | AD5 | AD4 | AD3 | AD2 | AD1 | AD0 |
| 4 | Data | DynID_1[3:0] | | | | ROMp_1[3:0] | | | |
| 5 | Data | DynID_2[1:0] | | ROMp_2[3:0] | | | DynID_1[5:4] | | |
| 6 | Data | ROMp_3[3:0] | | | | DynID_2[5:2] | | | |
| 7 | Data | ROMp_4[1:0] | | DynID_3[5:0] | | | | | |
| 8 | Data | DynID_4[5:0] | | | | | | ROMp_4[3:2] | |
| 9 | Checksum | Checksum over data | | | | | | | |

Where:

CMD[6:0]: 0x11, corresponding to dynamic assignment of four LIN identifiers

Broad: If <Broad> = '0' all the circuits connected to the LIN bus will share the same dynamically assigned identifiers.

Dyn_ID_x [5:0]: Dynamically assigned LIN identifier to the application command which ROM pointer is <ROMp_x [3:0]>

One frame allows only assigning of four identifiers. Therefore, additional frames could be needed in order to assign more identifiers (maximum three for the AMIS-30623).

AMIS-30623

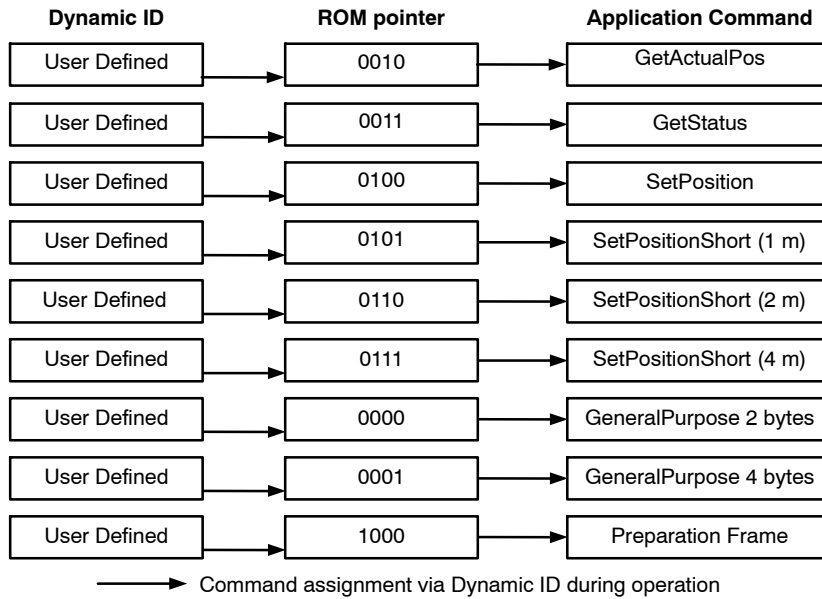


Figure 22. Principle of Dynamic Command Assignment

Commands Table

Table 34. LIN COMMANDS WITH CORRESPONDING ROM POINTER

| Command Mnemonic | Command Byte (CMD) | | Dynamic ID (example) | ROM Pointer |
|-------------------------------------|--------------------|------|----------------------|-------------|
| <u>GetActualPos</u> | 000000 | 0x00 | 100xxx | 0010 |
| <u>GetFullStatus</u> | 000001 | 0x01 | n.a. | |
| <u>GetOTPparam</u> | 000010 | 0x02 | n.a. | |
| <u>GetStatus</u> | 000011 | 0x03 | 000xxx | 0011 |
| <u>GotoSecurePosition</u> | 000100 | 0x04 | n.a. | |
| <u>HardStop</u> | 000101 | 0x05 | n.a. | |
| <u>ResetPosition</u> | 000110 | 0x06 | n.a. | |
| <u>RunVelocity</u> | 010111 | 0x17 | n.a. | |
| <u>SetDualPosition</u> | 001000 | 0x08 | n.a. | |
| <u>SetMotorParam</u> | 001001 | 0x09 | n.a. | |
| <u>SetOTPparam</u> | 010000 | 0x10 | n.a. | |
| <u>SetStallParam</u> | 010110 | 0x16 | n.a. | |
| <u>SetPosition</u> (16-bit) | 001011 | 0x0B | 010xxx | 0100 |
| <u>SetPositionShort</u> (1 motor) | 001100 | 0x0C | 001001 | 0101 |
| <u>SetPositionShort</u> (2 motors) | 001101 | 0x0D | 101001 | 0110 |
| <u>SetPositionShort</u> (4 motors) | 001110 | 0x0E | 111001 | 0111 |
| <u>SetPosParam</u> | 101111 | 0x2F | 110xxx | 1001 |
| <u>Sleep</u> | n.a. | | n.a. | |
| <u>SoftStop</u> | 001111 | 0x0F | n.a. | |
| <u>TestBemf</u> | 011111 | 0x1F | n.a. | |
| <u>Dynamic ID assignment</u> | 010001 | 0x11 | n.a. | |
| <u>General purpose 2 Data bytes</u> | | | 011000 | 0000 |
| <u>General purpose 4 Data bytes</u> | | | 101000 | 0001 |
| <u>Preparing frame</u> | | | 011010 | 1000 |

NOTE: "xxx" allows addressing physically a slave node. Therefore, these dynamic identifiers cannot be used for more than eight stepper motors. Only ten ROM pointers are needed for the AMIS-30623.

LIN Lost Behavior

Introduction

When the LIN communication is broken for a duration of 25000 consecutive frames (= 1,30s @ 19200 kbit/s) AMIS-30623 sets an internal flag called “LIN lost”. The functional behavior depends on the state of OTP bits <SleepEn> and <FailSafe>, and if this loss in LIN

communication occurred at (or before) power on reset or in normal powered operation.

Sleep Enable

The OTP bit <SleepEn> enables or disables the entering in low-power sleep mode in case of LIN time-out. Default the entering of the sleep-mode is disabled.

Table 35. SLEEP ENABLE SELECTION

| <SleepEn> | Behavior |
|-----------|--|
| 0 | Entering low-power sleep mode is disabled except from <Standby> and <Shutdown> |
| 1 | Entering low-power sleep mode enabled |

Fail Safe Motion

The OTP bit <FailSafe> enables or disables an automatic motion to a predefined secure position. See also Autonomous Motion.

Table 36. FAIL SAFE ENABLE SELECTION

| <FailSafe> | Behavior |
|------------|--|
| 0 | NO reference motion in case of LIN – lost |
| 1 | ENABLES reference motion to a secure position in case of LIN-lost (if the device has not been yet referenced with SetDualPosition) |

AMIS-30623 is able to perform an Autonomous Motion to a preferred position. This positioning starts after the detection of lost LIN communication and depends on:

- the OTP bit <FailSafe> = 1.
- RAM register <SecPos [10 : 0]> ≠ 0x400

The functional behavior depends if LIN communication is lost during normal operation (see figure below case A) or at (or before) startup (case B):

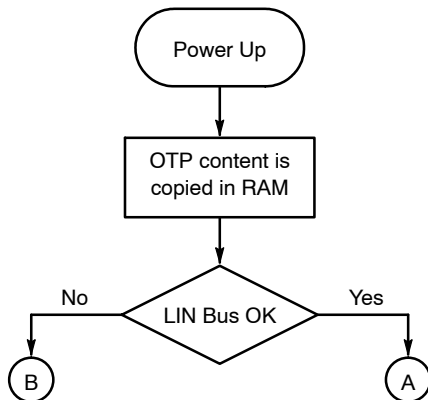


Figure 23. Flow Chart Power-Up of AMIS-30623 (Case A: LIN lost during operation and Case B: LIN lost at startup)

LIN Lost During Normal Operation

If the LIN communication is lost during normal operation, it is assumed that AMIS-30623 is referenced (by Dual positioning or Resetposition). In other words the <ActPos> register contains the “real” actual position. At LIN – lost an absolute positioning to the stored secure position SecPos is done. This is further called Secure Positioning.

If OTP bit <FailSafe> = 1, the reaction is the following:

If the device has already been referenced, it is assumed that <ActPos> register contains the “real” actual position. At LIN – lost an absolute positioning to the stored secure position SecPos is done (identical to the case, when OTP bit <FailSafe> = 0).

If the device was not referenced yet, the <ActPos> register does not contain a valid position. At LIN – lost a referencing is started using DualPositioning. A first negative motion of half the positioner range is initiated until the stall position is reached. The motion parameters stored in OTP will be used for this. After this mechanical end-position is reached, <ActPos> will be reset to zero. A second motion of 10 Fullsteps is executed to assure that the motion is really at the end position. After the second motion, a third motion is executed to the Secure Position also stored in OTP; if <SecPos> = 0x400, this second motion is not executed.

Following sequence will be followed. See Figure 24.

1. <SecPos [10 : 0]> from RAM register will be used. This can be different from OTP register if earlier LIN master communication has updated this. See also Secure Position and command SetMotorParam.
 - I. If <SecPos [10 : 0]> = 0x400: No Secure Positioning will be performed
 - II. If <SecPos [10 : 0]> ≠ 0x400: Perform a Secure Positioning. This is an absolute positioning (slave knows its ActPos. <SecPos [10 : 0]> will be copied in <TagPos>)

Depending on <Sleep> AMIS-30623 will enter the <Stop> state or the <Sleep> state. See Table 35.

Important Remarks:

1. The Secure Position has a resolution of 11 bit.
2. Same behavior in case of HW2 float (= lost LIN address), except for entering Sleep mode. If HW2 is floating, but there is LIN communication, Sleep mode is not entered. See also Hardwired Address HW2.

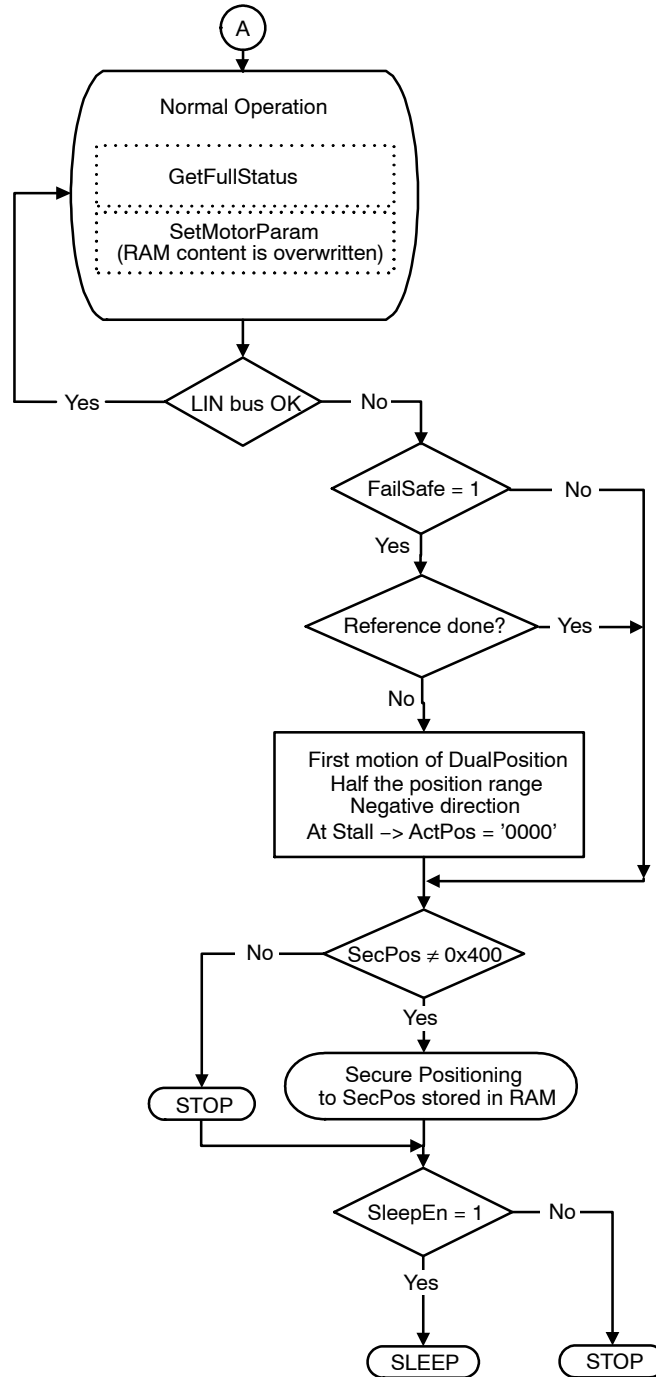


Figure 24. Case A: LIN Lost During Normal Operation

LIN Lost Before or At Power On

If the LIN communication is lost before or at power on, the <ActPos> register does not reflect the “real” actual position. So at LIN – lost a referencing is started using DualPositioning. A first negative motion for half the

positioner range is initiated until the stall position is reached. The motion parameters stored in OTP will be used for this. After this mechanical end position is reached, <ActPos> will be reset to zero. A second motion will start to the Secure Position also stored in OTP. More details are given below.

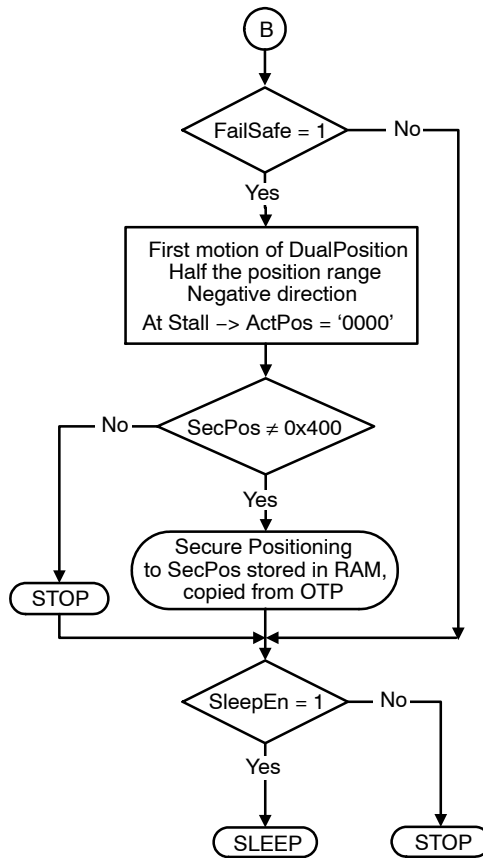


Figure 25. Case B: LIN Lost at or During Start-Up

If LIN is lost before or at power on, following sequence will be followed. See Figure 25.

1. If the LIN communication is lost AND <FailSafe> = 0, secure positioning will be done at absolute position (stored secure position <SecPos>.) Depending on SleepEn AMIS-30623 will enter the <Stop> state or <Sleep> state. See Table 35.
2. If the LIN communication is lost AND <FailSafe> = 1 a referencing is started using DualPositioning, meaning a negative motion for half the positioner range is initiated until the stall position is reached. The motion parameters stored in OTP will be used for this. After this mechanical end position is reached <ActPos> will be reset to zero. The direction of the motion is given by the Shaft bit.

- If <SecPos[10 : 0]> = 0x400:
No Second Motion will be performed.

- If <SecPos[10 : 0]> ≠ 0x400:
A second motion to <SecPos> is performed. The direction is given by <SecPos[10]> in combination with <Shaft>. Motion is done with parameters from OTP.

Depending on SleepEn AMIS-30623 will enter the <Stop> state or <Sleep> state. See Table 35.

Important Remarks:

1. The Secure Position has only a resolution of 9 bit because only the 9 MSB’s will be copied from OTP to RAM. See also Secure Position
2. The motion direction to SecPos is given by the Shaft bit in OTP.
3. In case of HW2 float (= lost LIN address), the behavior is the same as described above, except for going to sleep mode. In that case failsafe operation due to HW2 float is not leading to the sleep state, otherwise the LIN communication will wake-up the node and cycling through POR will occur. See also Hardwired Address HW2.

LIN APPLICATION COMMANDS

Introduction

The LIN Master will have to use commands to manage the different application tasks the AMIS-30623 can feature. The commands summary is given in Table 37 below.

Table 37. COMMANDS SUMMARY

| Command | | Frames | | | Description |
|----------|------|--------|--------|---------|-------------|
| Mnemonic | Code | Prep # | Read # | Write # | |

READING COMMAND

| | | | | | |
|----------------------|------|------|------|--|--|
| <u>GetActualPos</u> | 0x00 | 7, 8 | 5, 6 | | Returns the actual position of the motor |
| <u>GetFullStatus</u> | 0x01 | 7, 8 | 6 | | Returns a complete status of the circuit |
| <u>GetOTPparam</u> | 0x02 | 7, 8 | 6 | | Returns the OTP memory content |
| <u>GetStatus</u> | 0x03 | | 5 | | Returns a short status of the circuit |

WRITING COMMANDS

| | | | | | |
|--------------------------------|------|--|--|---------|--|
| <u>GotoSecurePosition</u> | 0x04 | | | 1 | Drives the motor to its secure position |
| <u>HardStop</u> | 0x05 | | | 1 | Immediate motor stop |
| <u>ResetPosition</u> | 0x06 | | | 1 | Actual position becomes the zero position |
| <u>RunVelocity</u> | 0x17 | | | 1 | Drives motor continuously |
| <u>SetDualPosition</u> | 0x08 | | | 4 | Drives the motor to 2 different positions with different speeds |
| <u>SetMotorParam</u> | 0x09 | | | 4 | Programs the motion parameters and values for the current in the motor's coils |
| <u>SetOTPparam</u> | 0x10 | | | 4 | Programs (and zaps) a selected byte of the OTP memory |
| <u>SetStallparam</u> | 0x16 | | | 4 | Programs the motion detection parameters |
| <u>SetPosition</u> | 0x0B | | | 1, 3, 4 | Drives the motor to a given position |
| <u>SetPositionShort</u> (1 m.) | 0x0C | | | 2 | Drives the motor to a given position (half step mode only) |
| <u>SetPositionShort</u> (2 m.) | 0x0D | | | 2 | Drives two motors to 2 given positions (half step only) |
| <u>SetPositionShort</u> (4 m.) | 0x0E | | | 2 | Drives four motors to 4 given positions (half step only) |
| <u>SetPosParam</u> | 0x2F | | | 2 | Drives the motor to a given position and programs some of the motion parameters. |

SERVICE COMMANDS

| | | | | | |
|-----------------|------|--|--|---|--|
| <u>Sleep</u> | | | | 1 | Drives circuit into sleep mode if <SleepEn> = 1 Drives circuit into stopped mode if <SleepEn> = 0 |
| <u>SoftStop</u> | 0x0F | | | 1 | Motor stopping with a deceleration phase |
| <u>TestBemf</u> | 0x1F | | | 1 | Outputs Bemf voltage on pin SWI |

These commands are described hereafter, with their corresponding LIN frames. Refer to LIN Frames for more details on LIN frames, particularly for what concerns dynamic assignment of identifiers. A color coding is used to

distinguish between master and slave parts within the frames and to highlight dynamic identifiers. An example is shown below.

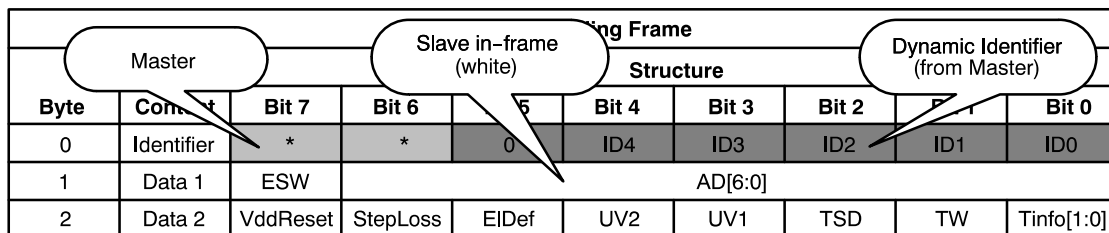


Figure 26. Color Code Used in the Definition of LIN Frames

Usually, the AMIS-30623 makes use of dynamic identifiers for general-purpose 2, 4 or 8 bytes writing frames. If dynamic identifiers are used for other purposes, this is acknowledged.

Some frames implement a <Broad> bit that allows addressing a command to all the AMIS-30623 circuits connected to the same LIN bus. <Broad> is active when at '0', in which case the physical address provided in the frame is thus not taken into account by the slave nodes.

Application Commands

GetActualPos

This command is provided to the circuit by the LIN master to get the actual position of the stepping-motor. This

GetActualPos corresponds to the following LIN reading frames.

1. four data bytes in-frame response with direct ID (type #5)

Table 38. READING FRAME TYPE #5

| Byte | Content | Structure | | | | | | | |
|------|------------|--------------------|----------|-------|-------|-------|-------|------------|-------|
| | | Bit 7 | Bit 6 | Bit 5 | Bit 4 | Bit 3 | Bit 2 | Bit 1 | Bit 0 |
| 0 | Identifier | * | * | 1 | 0 | ID3 | ID2 | ID1 | ID0 |
| 1 | Data 1 | ESW | AD[6:0] | | | | | | |
| 2 | Data 2 | ActPos[15:8] | | | | | | | |
| 3 | Data 3 | ActPos[7:0] | | | | | | | |
| 4 | Data 4 | VddReset | StepLoss | EIDef | UV2 | TSD | TW | Tinfo[1:0] | |
| 5 | Checksum | Checksum over data | | | | | | | |

Where:

(*) According to parity computation

ID[5:0]: Dynamically allocated direct identifier. There should be as many dedicated identifiers to this GetActualPos command as there are stepper-motors connected to the LIN bus.

Note: Bit 5 and bit 4 in byte 0 indicate the number of data bytes.

2. The master sends either a type#7 or type#8 preparing frame. After the type#7 or #8 preparing frame, the master sends a reading frame type#6 to retrieve the circuit's in-frame response.

Table 39. GetActualPos PREPARING FRAME TYPE #7

| Byte | Content | Structure | | | | | | | |
|------|------------|--------------------|-----------------|-------|-------|-------|-------|-------|-------|
| | | Bit 7 | Bit 6 | Bit 5 | Bit 4 | Bit 3 | Bit 2 | Bit 1 | Bit 0 |
| 0 | Identifier | * | * | 0 | ID4 | ID3 | ID2 | ID1 | ID0 |
| 1 | Data 1 | 1 | CMD[6:0] = 0x00 | | | | | | |
| 2 | Data 2 | 1 | AD[6:0] | | | | | | |
| 3 | Checksum | Checksum over data | | | | | | | |

Table 40. GetActualPos PREPARING FRAME TYPE #6

| Byte | Content | Structure | | | | | | | |
|------|------------|--------------------|----------|-------|-------|-------|-------|------------|-------|
| | | Bit 7 | Bit 6 | Bit 5 | Bit 4 | Bit 3 | Bit 2 | Bit 1 | Bit 0 |
| 0 | Identifier | 0 | 1 | 1 | 1 | 1 | 1 | 0 | 1 |
| 1 | Data 1 | ESW | AD[6:0] | | | | | | |
| 2 | Data 2 | ActPos[15:8] | | | | | | | |
| 3 | Data 3 | ActPos[7:0] | | | | | | | |
| 4 | Data 4 | VddReset | StepLoss | EIDef | UV2 | TSD | TW | Tinfo[1:0] | |
| 5 | Data 5 | 0xFF | | | | | | | |
| 6 | Data 6 | 0xFF | | | | | | | |
| 7 | Data 7 | 0xFF | | | | | | | |
| 8 | Data 8 | 0xFF | | | | | | | |
| 9 | Checksum | Checksum over data | | | | | | | |

Where:

(*) According to parity computation

Table 41. GetActualPos PREPARING FRAME TYPE #8

| Byte | Content | Structure | | | | | | | |
|------|------------|--------------------|-----------------|-------|-------|-------|-------|-------|-------|
| | | Bit 7 | Bit 6 | Bit 5 | Bit 4 | Bit 3 | Bit 2 | Bit 1 | Bit 0 |
| 0 | Identifier | 0 | 0 | 1 | 1 | 1 | 1 | 0 | 0 |
| 1 | Data 1 | AppCMD =80 | | | | | | | |
| 2 | Data 2 | 1 | CMD[6:0] = 0x00 | | | | | | |
| 3 | Data 3 | 1 | AD[6:0] | | | | | | |
| 4 | Data 4 | Data4[7:0] FF | | | | | | | |
| 5 | Data 5 | Data5[7:0] FF | | | | | | | |
| 6 | Data 6 | Data6[7:0] FF | | | | | | | |
| 7 | Data 7 | Data7[7:0] FF | | | | | | | |
| 8 | Data 8 | Data8[7:0] FF | | | | | | | |
| 9 | Checksum | Checksum over data | | | | | | | |

Table 42. GetActualPos READING FRAME TYPE #6

| Byte | Content | Structure | | | | | | | |
|------|------------|--------------------|----------|-------|-------|-------|-------|------------|-------|
| | | Bit 7 | Bit 6 | Bit 5 | Bit 4 | Bit 3 | Bit 2 | Bit 1 | Bit 0 |
| 0 | Identifier | 0 | 1 | 1 | 1 | 1 | 1 | 0 | 1 |
| 1 | Data 1 | ESW | AD[6:0] | | | | | | |
| 2 | Data 2 | ActPos[15:8] | | | | | | | |
| 3 | Data 3 | ActPos[7:0] | | | | | | | |
| 4 | Data 4 | VddReset | StepLoss | EIDef | UV2 | TSD | TW | Tinfo[1:0] | |
| 5 | Data 5 | 0xFF | | | | | | | |
| 6 | Data 6 | 0xFF | | | | | | | |
| 7 | Data 7 | 0xFF | | | | | | | |
| 8 | Data 8 | 0xFF | | | | | | | |
| 9 | Checksum | Checksum over data | | | | | | | |

GetFullStatus

This command is provided to the circuit by the LIN master to get a complete status of the circuit and the stepper-motor. Refer to RAM Registers and Flags Table to see the meaning of the parameters sent to the LIN master.

Note: A GetFullStatus command will attempt to reset flags <TW>, <TSD>, <UV2>, <E1Def>, <StepLoss>, <CPFail>, <OVC1>, <OVC2>, <VddReset>, <Stall>, <AbsStall>, <DelStallLo> and <DelStallHi>.

The master sends either type#7 or type#8 preparing frame. GetFullStatus corresponds to 2 successive LIN in-frame responses with **0x3D** indirect ID.

Note: It is not mandatory for the LIN master to initiate the second in-frame response if the data in the second response frame is not needed by the application.

1. The master sends a type #7 preparing frame. After the type#7 preparing frame, the master sends a reading frame type#6 to retrieve the circuit's in-frame response.

Table 43. GetFullStatus PREPARING FRAME TYPE #7

| Byte | Content | Structure | | | | | | | |
|------|------------|--------------------|-----------------|-------|-------|-------|-------|-------|-------|
| | | Bit 7 | Bit 6 | Bit 5 | Bit 4 | Bit 3 | Bit 2 | Bit 1 | Bit 0 |
| 0 | Identifier | * | * | 0 | ID4 | ID3 | ID2 | ID1 | ID0 |
| 1 | Data 1 | 1 | CMD[6:0] = 0x01 | | | | | | |
| 2 | Data 2 | 1 | AD[6:0] | | | | | | |
| 3 | Checksum | Checksum over data | | | | | | | |

Table 44. GetFullStatus READING FRAME TYPE #6 (1)

| Byte | Content | Structure | | | | | | | |
|------|------------|--------------------|---------------|-------|-------|-------------|-------|------------|--------|
| | | Bit 7 | Bit 6 | Bit 5 | Bit 4 | Bit 3 | Bit 2 | Bit 1 | Bit 0 |
| 0 | Identifier | 0 | 1 | 1 | 1 | 1 | 1 | 0 | 1 |
| 1 | Data 1 | 1 | AD[6:0] | | | | | | |
| 2 | Data 2 | Irun[3:0] | | | | Ihold[3:0] | | | |
| 3 | Data 3 | Vmax[3:0] | | | | Vmin[3:0] | | | |
| 4 | Data 4 | AccShape | StepMode[1:0] | | Shaft | Acc[3:0] | | | |
| 5 | Data 5 | VddReset | StepLoss | E1Def | UV2 | TSD | TW | Tinfo[1:0] | |
| 6 | Data 6 | Motion[2:0] | | | ESW | OVC1 | OVC2 | Stall | CPFail |
| 7 | Data 7 | 1 | 1 | 1 | 1 | TimeE | DataE | HeadE | BitE |
| 8 | Data 8 | AbsThr[3:0] | | | | DelThr[3:0] | | | |
| 9 | Checksum | Checksum over data | | | | | | | |

Table 45. GetFullStatus READING FRAME TYPE #6 (2)

| Byte | Content | Structure | | | | | | | | |
|------|------------|--------------------|------------|------------|-----------------|-------|--------------|-----------|--------|--|
| | | Bit 7 | Bit 6 | Bit 5 | Bit 4 | Bit 3 | Bit 2 | Bit 1 | Bit 0 | |
| 0 | Identifier | 0 | 1 | 1 | 1 | 1 | 1 | 0 | 1 | |
| 1 | Data 1 | 1 | AD[6:0] | | | | | | | |
| 2 | Data 2 | ActPos[15:8] | | | | | | | | |
| 3 | Data 3 | ActPos[7:0] | | | | | | | | |
| 4 | Data 4 | TagPos[15:8] | | | | | | | | |
| 5 | Data 5 | TagPos[7:0] | | | | | | | | |
| 6 | Data 6 | SecPos[7:0] | | | | | | | | |
| 7 | Data 7 | FS2StallEn[2:0] | | | 1 | DC100 | SecPos[10:8] | | | |
| 8 | Data 8 | AbsStall | DelStallLo | DelStallHi | MinSamples[2:0] | | | DC100StEn | PWMJEn | |
| 9 | Checksum | Checksum over data | | | | | | | | |

Where:

(*) According to parity computation

2. The master sends a type #8 preparing frame. After the type#8 preparing frame, the master sends a reading frame type#6 to retrieve the circuit's in-frame response.

Table 46. GetFullStatus PREPARING FRAME TYPE#8

| Byte | Content | Structure | | | | | | | |
|------|------------|--------------------|-----------------|-------|-------|-------|-------|-------|-------|
| | | Bit 7 | Bit 6 | Bit 5 | Bit 4 | Bit 3 | Bit 2 | Bit 1 | Bit 0 |
| 0 | Identifier | 0 | 0 | 1 | 1 | 1 | 1 | 0 | 0 |
| 1 | Data 1 | AppCMD =80 | | | | | | | |
| 2 | Data 2 | 1 | CMD[6:0] = 0x01 | | | | | | |
| 3 | Data 3 | 1 | AD[6:0] | | | | | | |
| 4 | Data 4 | Data4[7:0] FF | | | | | | | |
| 5 | Data 5 | Data5[7:0] FF | | | | | | | |
| 6 | Data 6 | Data6[7:0] FF | | | | | | | |
| 7 | Data 7 | Data7[7:0] FF | | | | | | | |
| 8 | Data 8 | Data8[7:0] FF | | | | | | | |
| 9 | Checksum | Checksum over data | | | | | | | |

Table 47. GetFullStatus READING FRAME TYPE #6 (1)

| Byte | Content | Structure | | | | | | | |
|------|------------|--------------------|---------------|-------|-------|-------------|-------|------------|--------|
| | | Bit 7 | Bit 6 | Bit 5 | Bit 4 | Bit 3 | Bit 2 | Bit 1 | Bit 0 |
| 0 | Identifier | 0 | 1 | 1 | 1 | 1 | 1 | 0 | 1 |
| 1 | Data 1 | 1 | AD[6:0] | | | | | | |
| 2 | Data 2 | Irun[3:0] | | | | Ihold[3:0] | | | |
| 3 | Data 3 | Vmax[3:0] | | | | Vmin[3:0] | | | |
| 4 | Data 4 | AccShape | StepMode[1:0] | | Shaft | Acc[3:0] | | | |
| 5 | Data 5 | VddReset | StepLoss | EIDef | UV2 | TSD | TW | Tinfo[1:0] | |
| 6 | Data 6 | Motion[2:0] | | | ESW | OVC1 | OVC2 | Stall | CPFail |
| 7 | Data 7 | 1 | 1 | 1 | 1 | TimeE | DataE | HeadE | BitE |
| 8 | Data 8 | AbsThr[3:0] | | | | DelThr[3:0] | | | |
| 6 | Checksum | Checksum over data | | | | | | | |

Table 48. GetFullStatus READING FRAME TYPE #6 (2)

| Byte | Content | Structure | | | | | | | | |
|------|------------|--------------------|------------|------------|-----------------|-------|--------------|-----------|--------|--|
| | | Bit 7 | Bit 6 | Bit 5 | Bit 4 | Bit 3 | Bit 2 | Bit 1 | Bit 0 | |
| 0 | Identifier | 0 | 1 | 1 | 1 | 1 | 1 | 0 | 1 | |
| 1 | Data 1 | 1 | AD[6:0] | | | | | | | |
| 2 | Data 2 | ActPos[15:8] | | | | | | | | |
| 3 | Data 3 | ActPos[7:0] | | | | | | | | |
| 4 | Data 4 | TagPos[15:8] | | | | | | | | |
| 5 | Data 5 | TagPos[7:0] | | | | | | | | |
| 6 | Data 6 | SecPos[7:0] | | | | | | | | |
| 7 | Data 7 | FS2StallEn[2:0] | | | 1 | DC100 | SecPos[10:8] | | | |
| 8 | Data 8 | AbsStall | DelStallLo | DelStallHi | MinSamples[2:0] | | | DC100StEn | PWMJEn | |
| 9 | Checksum | Checksum over data | | | | | | | | |

GetOTPparam

This command is provided to the circuit by the LIN master after a preparing frame (see Preparing frames), to read the content of an OTP memory segment which address was specified in the preparation frame.

GetOTPparam corresponds to a LIN in-frame response with **0x3D** indirect ID.

1. The master sends a type #7 preparing frame. After the type#7 preparing frame, the master sends a reading frame type#6 to retrieve the circuit's in-frame response.

Table 49. GetOTPparam PREPARING FRAME TYPE #7

| Byte | Content | Structure | | | | | | | |
|------|------------|--------------------|-----------------|-------|-------|-------|-------|-------|-------|
| | | Bit 7 | Bit 6 | Bit 5 | Bit 4 | Bit 3 | Bit 2 | Bit 1 | Bit 0 |
| 0 | Identifier | * | * | 0 | ID4 | ID3 | ID2 | ID1 | ID0 |
| 1 | Data 1 | 1 | CMD[6:0] = 0x02 | | | | | | |
| 2 | Data 2 | 1 | AD[6:0] | | | | | | |
| 3 | Checksum | Checksum over data | | | | | | | |

Table 50. GetOTPparam READING FRAME TYPE #6

| Byte | Content | Structure | | | | | | | |
|------|------------|--------------------|-------|-------|-------|-------|-------|-------|-------|
| | | Bit 7 | Bit 6 | Bit 5 | Bit 4 | Bit 3 | Bit 2 | Bit 1 | Bit 0 |
| 0 | Identifier | 0 | 1 | 1 | 1 | 1 | 1 | 0 | 1 |
| 1 | Data 1 | OTP byte @0x00 | | | | | | | |
| 2 | Data 2 | OTP byte @0x01 | | | | | | | |
| 3 | Data 3 | OTP byte @0x02 | | | | | | | |
| 4 | Data 4 | OTP byte @0x03 | | | | | | | |
| 5 | Data 5 | OTP byte @0x04 | | | | | | | |
| 6 | Data 6 | OTP byte @0x05 | | | | | | | |
| 7 | Data 7 | OTP byte @0x06 | | | | | | | |
| 8 | Data 8 | OTP byte @0x07 | | | | | | | |
| 9 | Checksum | Checksum over data | | | | | | | |

Where:

(*) According to parity computation

- 2.) The master sends a type #8 preparing frame. After the type#8 preparing frame, the master sends a reading frame type#6 to retrieve the circuit's in-frame response.

Table 51. GetOTPparam PREPARING FRAME TYPE #8

| Byte | Content | Structure | | | | | | | |
|------|------------|--------------------|-----------------|-------|-------|-------|-------|-------|-------|
| | | Bit 7 | Bit 6 | Bit 5 | Bit 4 | Bit 3 | Bit 2 | Bit 1 | Bit 0 |
| 0 | Identifier | 0 | 0 | 1 | 1 | 1 | 1 | 0 | 0 |
| 1 | Data 1 | AppCMD =80 | | | | | | | |
| 2 | Data 2 | 1 | CMD[6:0] = 0x02 | | | | | | |
| 3 | Data 3 | 1 | AD[6:0] | | | | | | |
| 4 | Data 4 | Data4[7:0] FF | | | | | | | |
| 5 | Data 5 | Data5[7:0] FF | | | | | | | |
| 6 | Data 6 | Data6[7:0] FF | | | | | | | |
| 7 | Data 7 | Data7[7:0] FF | | | | | | | |
| 8 | Data 8 | Data8[7:0] FF | | | | | | | |
| 9 | Checksum | Checksum over data | | | | | | | |

Table 52. GetOTPparam READING FRAME TYPE #6

| Byte | Content | Structure | | | | | | | |
|------|------------|--------------------|-------|-------|-------|-------|-------|-------|-------|
| | | Bit 7 | Bit 6 | Bit 5 | Bit 4 | Bit 3 | Bit 2 | Bit 1 | Bit 0 |
| 0 | Identifier | 0 | 1 | 1 | 1 | 1 | 1 | 0 | 1 |
| 1 | Data 1 | OTP byte @0x00 | | | | | | | |
| 2 | Data 2 | OTP byte @0x01 | | | | | | | |
| 3 | Data 3 | OTP byte @0x02 | | | | | | | |
| 4 | Data 4 | OTP byte @0x03 | | | | | | | |
| 5 | Data 5 | OTP byte @0x04 | | | | | | | |
| 6 | Data 6 | OTP byte @0x05 | | | | | | | |
| 7 | Data 7 | OTP byte @0x06 | | | | | | | |
| 8 | Data 8 | OTP byte @0x07 | | | | | | | |
| 9 | Checksum | Checksum over data | | | | | | | |

GetStatus

This command is provided to the circuit by the LIN master to get a quick status (compared to that of GetFullStatus command) of the circuit and of the stepper-motor. Refer to Flags Table to see the meaning of the parameters sent to the LIN master.

Note: A GetStatus command will attempt to reset flags <TW>, <TSD>, <UV2>, <EIDef>, <StepLoss> and <VddReset>.

GetStatus corresponds to a 2 data bytes LIN in-frame response with a direct ID (type #5).

Table 53. GetStatus READING FRAME TYPE #5

| Byte | Content | Structure | | | | | | | |
|------|------------|--------------------|----------|-------|-------|-------|-------|------------|-------|
| | | Bit 7 | Bit 6 | Bit 5 | Bit 4 | Bit 3 | Bit 2 | Bit 1 | Bit 0 |
| 0 | Identifier | * | * | 0 | ID4 | ID3 | ID2 | ID1 | ID0 |
| 1 | Data 1 | ESW | AD[6:0] | | | | | | |
| 2 | Data 2 | VddReset | StepLoss | EIDef | UV2 | TSD | TW | Tinfo[1:0] | |
| 3 | Checksum | Checksum over data | | | | | | | |

Where:

(*) According to parity computation

ID[5:0]: Dynamically allocated direct identifier. There should be as many dedicated identifiers to this GetStatus command as there are stepper-motors connected to the LIN bus.

GotoSecurePosition

This command is provided by the LIN master to one or all of the stepper-motors to move to the secure position <SecPos[10:0]>. It can also be internally triggered if the LIN bus communication is lost, after an initialization phase, or prior to going into sleep mode. See the priority encoder description for more details. The priority encoder

table also acknowledges the cases where a GotoSecurePosition command will be ignored.

Note: The dynamic ID allocation has to be assigned to 'General Purpose 2 Data bytes' ROM pointer, i.e. '0000'. The command is decoded only from the command data.

GotoSecurePosition corresponds to the following LIN writing frame (type #1).

Table 54. GotoSecurePosition WRITING FRAME TYPE #1

| Byte | Content | Structure | | | | | | | |
|------|------------|--------------------|-----------------|-------|-------|-------|-------|-------|-------|
| | | Bit 7 | Bit 6 | Bit 5 | Bit 4 | Bit 3 | Bit 2 | Bit 1 | Bit 0 |
| 0 | Identifier | * | * | 0 | ID4 | ID3 | ID2 | ID1 | ID0 |
| 1 | Data | 1 | CMD[6:0] = 0x04 | | | | | | |
| 2 | Data | Broad | AD[6:0] | | | | | | |
| 3 | Checksum | Checksum over data | | | | | | | |

Where:

(*) according to parity computation

Broad: If Broad = '0' all the stepper motors connected to the LIN bus will reach their secure position

HardStop

This command will be internally triggered when an electrical problem is detected in one or both coils, leading to shutdown mode. If this occurs while the motor is moving, the <StepLoss> flag is raised to allow warning of the LIN master at the next GetStatus command that steps may have been lost. Once the motor is stopped, <ActPos> register is copied into <TagPos> register to ensure keeping the stop position.

Note: The dynamic ID allocation has to be assigned to 'General Purpose 2 Data bytes' ROM pointer, i.e. '0000'. The command is decoded only from the command data.

A hardstop command can also be issued by the LIN master for some safety reasons. It corresponds then to the following two data bytes LIN writing frame (type #1).

Table 55. HardStop WRITING FRAME TYPE #1

| Byte | Content | Structure | | | | | | | |
|------|------------|--------------------|-----------------|-------|-------|-------|-------|-------|-------|
| | | Bit 7 | Bit 6 | Bit 5 | Bit 4 | Bit 3 | Bit 2 | Bit 1 | Bit 0 |
| 0 | Identifier | * | * | ID5 | ID4 | ID3 | ID2 | ID1 | ID0 |
| 1 | Data | 1 | CMD[6:0] = 0x05 | | | | | | |
| 2 | Data | Broad | AD[6:0] | | | | | | |
| 3 | Checksum | Checksum over data | | | | | | | |

Where:

(*) according to parity computation

Broad: If broad = '0' all stepper motors connected to the LIN bus will stop

ResetPosition

This command is provided to the circuit by the LIN master to reset <ActPos> and <TagPos> registers to zero. This can be helpful to prepare for instance a relative positioning. The reset position command sets the internal flag "Reference done".

Note: The dynamic ID allocation has to be assigned to 'General Purpose 2 Data bytes' ROM pointer, i.e. '0000'. The command is decoded only from the command data.

ResetPosition corresponds to the following LIN writing frames (type #1).

Table 56. ResetPosition WRITING FRAME TYPE #1

| Byte | Content | Structure | | | | | | | |
|------|------------|--------------------|-----------------|-------|-------|-------|-------|-------|-------|
| | | Bit 7 | Bit 6 | Bit 5 | Bit 4 | Bit 3 | Bit 2 | Bit 1 | Bit 0 |
| 0 | Identifier | * | * | ID5 | ID4 | ID3 | ID2 | ID1 | ID0 |
| 1 | Data | 1 | CMD[6:0] = 0x06 | | | | | | |
| 2 | Data | Broad | AD[6:0] | | | | | | |
| 3 | Checksum | Checksum over data | | | | | | | |

Where:

(*) according to parity computation

Broad: If broad = '0' all the circuits connected to the LIN bus will reset their <ActPos> and <TagPos> registers

RunVelocity

This command is provided to the circuit by the LIN Master in order to put the motor in continuous motion state. Note: in this mode (RunVelocity), the shaft bit has no impact on the direction of movement.

Note: The dynamic ID allocation has to be assigned to ‘General Purpose 2 Data bytes’ ROM pointer, i.e. ‘0000’. The command is decoded only from the command data.

Note: Continuous LIN communication is required. If not, Lost-LIN is detected and an autonomous motion will start. See also LIN lost behavior.

RunVelocity corresponds to the following LIN writing frames (type #1).

Table 57. RunVelocity WRITING FRAME TYPE #1

| Byte | Content | Structure | | | | | | | |
|------|------------|--------------------|-----------------|-------|-------|-------|-------|-------|-------|
| | | Bit 7 | Bit 6 | Bit 5 | Bit 4 | Bit 3 | Bit 2 | Bit 1 | Bit 0 |
| 0 | Identifier | * | * | ID5 | ID4 | ID3 | ID2 | ID1 | ID0 |
| 1 | Data 1 | 1 | CMD[6:0] = 0x17 | | | | | | |
| 2 | Data 2 | Broad | AD[6:0] | | | | | | |
| 3 | Checksum | Checksum over data | | | | | | | |

Where:

(*) according to parity computation

Broad: If broad = ‘0’ all the stepper motors connected to the LIN bus will start continuous motion.

SetDualPosition

This command is provided to the circuit by the LIN master in order to perform a positioning of the motor using two different velocities. See Dual Positioning. After Dual positioning the internal flag “Reference done” is set.

Note: This sequence cannot be interrupted by another positioning command.

SetDualPosition corresponds to the following LIN writing frame with 0x3C identifier (type #4).

Table 58. SetDualPositioning WRITING FRAME TYPE #4

| Byte | Content | Structure | | | | | | | |
|------|------------|--------------------|-----------------|-------|-------|-----------|-------|-------|-------|
| | | Bit 7 | Bit 6 | Bit 5 | Bit 4 | Bit 3 | Bit 2 | Bit 1 | Bit 0 |
| 0 | Identifier | 0 | 0 | 1 | 1 | 1 | 1 | 0 | 0 |
| 1 | Data 1 | AppCMD = 0x80 | | | | | | | |
| 2 | Data 2 | 1 | CMD[6:0] = 0x08 | | | | | | |
| 3 | Data 3 | Broad | AD[6:0] | | | | | | |
| 4 | Data 4 | Vmax[3:0] | | | | Vmin[3:0] | | | |
| 5 | Data 5 | Pos1[15:8] | | | | | | | |
| 6 | Data 6 | Pos1[7:0] | | | | | | | |
| 7 | Data 7 | Pos2[15:8] | | | | | | | |
| 8 | Data 8 | Pos2[7:0] | | | | | | | |
| 9 | Checksum | Checksum over data | | | | | | | |

Where:

Broad: If broad = ‘0’ all the circuits connected to the LIN bus will run the dual positioning

Vmax[3:0]: Max velocity for first motion

Vmin[3:0]: Min velocity for first motion and velocity for the second motion

Pos1[15:0]: First position to be reached during the first motion

Pos2[15:0]: Relative position of the second motion

SetStallParam

This command sets the motion detection parameters and the related stepper-motor parameters, such as the minimum and maximum velocity, the run and hold current,

acceleration and step mode. See Motion detection for the meaning of the parameters sent by the LIN Master.

SetStallParam corresponds to a 0x3C LIN command (type #4).

Table 59. SetStallParam WRITING FRAME TYPE #4

| Byte | Content | Structure | | | | | | | | |
|------|------------|--------------------|-----------------|-------|----------|-------------|---------------|-------|-----------|--------|
| | | Bit 7 | Bit 6 | Bit 5 | Bit 4 | Bit 3 | Bit 2 | Bit 1 | Bit 0 | |
| 0 | Identifier | 0 | 0 | 1 | 1 | 1 | 1 | 0 | 0 | |
| 1 | Data 1 | AppCMD = 0x80 | | | | | | | | |
| 2 | Data 2 | 1 | CMD[6:0] = 0x16 | | | | | | | |
| 3 | Data 3 | Broad | AD[6:0] | | | | | | | |
| 4 | Data 4 | Irun[3:0] | | | | Ihold[3:0] | | | | |
| 5 | Data 5 | Vmax[3:0] | | | | Vmin[3:0] | | | | |
| 6 | Data 6 | MinSamples[2:0] | | | Shaft | | Acc[3:0] | | | |
| 7 | Data 7 | AbsThr[3:0] | | | | DelThr[3:0] | | | | |
| 8 | Data 8 | FS2StallEn[2:0] | | | AccShape | | StepMode[1:0] | | DC100StEn | PWMJEn |
| 9 | Checksum | Checksum over data | | | | | | | | |

Where:

Broad: If Broad = '0' all the circuits connected to the LIN bus will set the parameters in their RAMs as requested

SetMotorParam

This command is provided to the circuit by the LIN master to set the values for the stepper motor parameters (listed below) in RAM. Refer to RAM Registers to see the meaning of the parameters sent by the LIN master.

Position Controller). Therefore the application should not change other parameters than <Vmax> and <Vmin> while a motion is running, otherwise correct positioning cannot be guaranteed.

Important: If a SetMotorParam occurs while a motion is ongoing, it will modify at once the motion parameters (see

SetMotorParam corresponds to the following LIN writing frame with 0x3C identifier (type #4).

Table 60. SetMotorParam WRITING FRAME TYPE #4

| Byte | Content | Structure | | | | | | | |
|------|------------|--------------------|-----------------|-------|----------|---------------|----------|-------|--------|
| | | Bit 7 | Bit 6 | Bit 5 | Bit 4 | Bit 3 | Bit 2 | Bit 1 | Bit 0 |
| 0 | Identifier | 0 | 0 | 1 | 1 | 1 | 1 | 0 | 0 |
| 1 | Data 1 | AppCMD = 0x80 | | | | | | | |
| 2 | Data 2 | 1 | CMD[6:0] = 0x09 | | | | | | |
| 3 | Data 3 | Broad | AD[6:0] | | | | | | |
| 4 | Data 4 | Irun[3:0] | | | | Ihold[3:0] | | | |
| 5 | Data 5 | Vmax[3:0] | | | | Vmin[3:0] | | | |
| 6 | Data 6 | SecPos[10:8] | | | Shaft | | Acc[3:0] | | |
| 7 | Data 7 | SecPos[7:0] | | | | | | | |
| 8 | Data 8 | 1 | PWMfreq | 1 | AccShape | StepMode[1:0] | | 1 | PWMJEn |
| 9 | Checksum | Checksum over data | | | | | | | |

Where:

Broad: If Broad = '0' all the circuits connected to the LIN bus will set the parameters in their RAMs as requested

SetOTPparam

This command is provided to the circuit by the LIN master to program the content D[7:0] of the OTP memory byte OTPA[2:0] and to zap it.

Important: This command must be sent under a specific V_{BB} voltage value. See parameter V_{BB}OTP in DC Parameters. This is a mandatory condition to ensure reliable zapping.

SetMotorParam corresponds to a 0x3C LIN writing frames (type #4).

Table 61. SetOTPparam WRITING FRAME TYPE #4

| Byte | Content | Structure | | | | | | | |
|------|------------|--------------------|-----------------|-------|-------|-------|-----------|-------|-------|
| | | Bit 7 | Bit 6 | Bit 5 | Bit 4 | Bit 3 | Bit 2 | Bit 1 | Bit 0 |
| 0 | Identifier | 0 | 0 | 1 | 1 | 1 | 1 | 0 | 0 |
| 1 | Data 1 | AppCMD = 0x80 | | | | | | | |
| 2 | Data 2 | 1 | CMD[6:0] = 0x10 | | | | | | |
| 3 | Data 3 | Broad | AD[6:0] | | | | | | |
| 4 | Data 4 | 1 | 1 | 1 | 1 | 1 | OTPA[2:0] | | |
| 5 | Data 5 | D[7:0] | | | | | | | |
| 6 | Data 6 | 0xFF | | | | | | | |
| 7 | Data 7 | 0xFF | | | | | | | |
| 8 | Data 8 | 0xFF | | | | | | | |
| 9 | Checksum | Checksum over data | | | | | | | |

Where:

Broad: If Broad = '0' all the circuits connected to the LIN bus will set the parameters in their OTP memories as requested

SetPosition

This command is provided to the circuit by the LIN master to drive one or two motors to a given absolute position. See Positioning for more details.

The priority encoder table (See Priority Encoder) describes the cases where a SetPosition command will be ignored.

SetPosition corresponds to the following LIN write frames.

1. Two (2) Data bytes frame with a direct ID (type #3)

Table 62. SetPosition WRITING FRAME TYPE #3

| Byte | Content | Structure | | | | | | | |
|------|------------|--------------------|-------|-------|-------|-------|-------|-------|-------|
| | | Bit 7 | Bit 6 | Bit 5 | Bit 4 | Bit 3 | Bit 2 | Bit 1 | Bit 0 |
| 0 | Identifier | * | * | 0 | ID4 | ID3 | ID2 | ID1 | ID0 |
| 1 | Data 1 | Pos[15:8] | | | | | | | |
| 2 | Data 2 | Pos[7:0] | | | | | | | |
| 3 | Checksum | Checksum over data | | | | | | | |

Where:

(*) According to parity computation

ID[5:0]: Dynamically allocated direct identifier. There should be as many dedicated identifiers to this SetPosition command as there are stepper-motors connected to the LIN bus.

2. Four (4) Data bytes frame with general purpose identifier (type #1).

Note: The dynamic ID allocation has to be assigned to ‘General Purpose 4 Data bytes’ ROM pointer, i.e. ‘0001’.

Table 63. SetPosition WRITING FRAME TYPE #1

| Byte | Content | Structure | | | | | | | |
|------|------------|--------------------|-----------------|-------|-------|-------|-------|-------|-------|
| | | Bit 7 | Bit 6 | Bit 5 | Bit 4 | Bit 3 | Bit 2 | Bit 1 | Bit 0 |
| 0 | Identifier | * | * | 1 | 0 | ID3 | ID2 | ID1 | ID0 |
| 1 | Data 1 | 1 | CMD[6:0] = 0x0B | | | | | | |
| 2 | Data 2 | Broad | AD[6:0] | | | | | | |
| 3 | Data 3 | Pos[15:8] | | | | | | | |
| 4 | Data 4 | Pos[7:0] | | | | | | | |
| 5 | Checksum | Checksum over data | | | | | | | |

Where:

(*) According to parity computation

Broad: If broad = ‘0’ all the stepper motors connected to the LIN will must go to Pos [15 : 0].

3. Two (2) motors positioning frame with 0x3C identifier (type #4)

Table 64. SetPosition WRITING FRAME TYPE #4

| Byte | Content | Structure | | | | | | | |
|------|------------|--------------------|-----------------|-------|-------|-------|-------|-------|-------|
| | | Bit 7 | Bit 6 | Bit 5 | Bit 4 | Bit 3 | Bit 2 | Bit 1 | Bit 0 |
| 0 | Identifier | 0 | 0 | 1 | 1 | 1 | 1 | 0 | 0 |
| 1 | Data 1 | AppCMD = 0x80 | | | | | | | |
| 2 | Data 2 | 1 | CMD[6:0] = 0x0B | | | | | | |
| 3 | Data 3 | 1 | AD1[6:0] | | | | | | |
| 4 | Data 4 | Pos1[15:8] | | | | | | | |
| 5 | Data 5 | Pos1[7:0] | | | | | | | |
| 6 | Data 6 | 1 | AD2[6:0] | | | | | | |
| 7 | Data 7 | Pos2[15:8] | | | | | | | |
| 8 | Data 8 | Pos2[7:0] | | | | | | | |
| 9 | Checksum | Checksum over data | | | | | | | |

Where:

Adn[6:0] : Motor #n physical address (n ∈ [1,2]).

Posn[15:0] : Signed 16-bit position set-point for motor #n.

SetPositionShort

This command is provided to the circuit by the LIN Master to drive one, two or four motors to a given absolute position. It applies only for half stepping mode (`StepMode[1:0] = "00"`) and is ignored when in other stepping modes. See [Positioning](#) for more details.

The physical address is coded on 4 bits, hence `SetPositionShort` can only be used with a network implementing a maximum of 16 slave nodes. These 4 bits

are corresponding to the bits `PA[3:0]` in OTP memory (address 0x02) See [Physical Address of the Circuit](#). For `SetPositionShort` it is recommended to set `HW0`, `HW1` and `HW2` to '1'.

The priority encoder table (See [Priority Encoder](#)) describes the cases where a `SetPositionShort` command will be ignored.

`SetPositionShort` corresponds to the following LIN writing frames:

1. Two (2) data bytes frame for one (1) motor, with specific identifier (type #2)

Table 65. SetPositionShort WRITING FRAME TYPE #2

| Byte | Content | Structure | | | | | | | |
|------|------------|--------------------|-------|-------|-------|----------|-------|-------|-------|
| | | Bit 7 | Bit 6 | Bit 5 | Bit 4 | Bit 3 | Bit 2 | Bit 1 | Bit 0 |
| 0 | Identifier | * | * | 0 | ID4 | ID3 | ID2 | ID1 | ID0 |
| 1 | Data 1 | Pos[10:8] | | | Broad | AD [3:0] | | | |
| 2 | Data 2 | Pos [7:0] | | | | | | | |
| 3 | Checksum | Checksum over data | | | | | | | |

Where:

(*) According to parity computation

Broad: If broad = '0' all the stepper motors connected to the LIN bus will go to `Pos [10 : 0]`.

ID[5:0]: Dynamically allocated identifier to two data bytes `SetPositionShort` command.

2. Four (4) data bytes frame for two (2) motors, with specific identifier (type # 2)

Table 66. SetPositionShort WRITING FRAME TYPE #2

| Byte | Content | Structure | | | | | | | |
|------|------------|--------------------|-------|-------|-------|----------|-------|-------|-------|
| | | Bit 7 | Bit 6 | Bit 5 | Bit 4 | Bit 3 | Bit 2 | Bit 1 | Bit 0 |
| 0 | Identifier | * | * | 1 | 0 | ID3 | ID2 | ID1 | ID0 |
| 1 | Data 1 | Pos1[10:8] | | | 1 | AD1[3:0] | | | |
| 2 | Data 2 | Pos1[7:0] | | | | | | | |
| 3 | Data 3 | Pos2[10:8] | | | 1 | AD2[3:0] | | | |
| 4 | Data 4 | Pos2[7:0] | | | | | | | |
| 5 | Checksum | Checksum over data | | | | | | | |

Where:

(*) according to parity computation

ID[5:0]: Dynamically allocated identifier to four data bytes `SetPositionShort` command.

Adn[3:0]: Motor #n physical address least significant bits ($n \in [1,2]$).

Posn[10:0]: Signed 11-bit position set point for Motor #n (see [RAM Registers](#))

3. Eight (8) data bytes frame for four (4) motors, with specific identifier (type #2)

Table 67. SetPositionShort WRITING FRAME TYPE #2

| Byte | Content | Structure | | | | | | | |
|------|------------|--------------------|-------|-------|-------|----------|-------|-------|-------|
| | | Bit 7 | Bit 6 | Bit 5 | Bit 4 | Bit 3 | Bit 2 | Bit 1 | Bit 0 |
| 0 | Identifier | * | * | 1 | 1 | ID3 | ID2 | ID1 | ID0 |
| 1 | Data 1 | Pos1[10:8] | | | 1 | AD1[3:0] | | | |
| 2 | Data 2 | Pos1[7:0] | | | | | | | |
| 3 | Data 3 | Pos2[10:8] | | | 1 | AD2[3:0] | | | |
| 4 | Data 4 | Pos2[7:0] | | | | | | | |
| 5 | Data 5 | Pos3[10:8] | | | 1 | AD3[3:0] | | | |
| 6 | Data 6 | Pos3[7:0] | | | | | | | |
| 7 | Data 7 | Pos4[10:8] | | | 1 | AD4[3:0] | | | |
| 8 | Data 8 | Pos4[7:0] | | | | | | | |
| 9 | Checksum | Checksum over data | | | | | | | |

Where:

(*) according to parity computation

ID[5:0]: Dynamically allocated identifier to eight data bytes SetPositionShort command.

ADn[3:0]: Motor #n physical address least significant bits (n ∈ [1,4]).

Posn[10:0]: Signed 11-bit position set point for Motor #n (see RAM Registers)

SetPosParam

This command is provided to the circuit by the LIN Master to drive one motor to a given absolute position.

It also sets some of the values for the stepper motor parameters such as minimum and maximum velocity.

SetPosParam corresponds to a four (4) data bytes writing LIN frame with specific dynamically assigned identifier (type # 2).

Table 68. SetPosParam WRITING FRAME TYPE #2

| Byte | Content | Structure | | | | | | | |
|------|------------|--------------------|-------|-------|-------|-----------|-------|-------|-------|
| | | Bit 7 | Bit 6 | Bit 5 | Bit 4 | Bit 3 | Bit 2 | Bit 1 | Bit 0 |
| 0 | Identifier | * | * | 1 | 0 | ID3 | ID2 | ID5 | ID4 |
| 1 | Data 1 | Pos[15:8] | | | | | | | |
| 2 | Data 2 | Pos[7:0] | | | | | | | |
| 3 | Data 3 | Vmax[3:0] | | | | Vmin[3:0] | | | |
| 4 | Data 4 | AbsThr[3:0] | | | | Acc[3:0] | | | |
| 5 | Checksum | Checksum over data | | | | | | | |

Where:

(*) according to parity computation

Broad: If broad = ‘0’ all the stepper motors connected to the LIN bus will stop with deceleration.

ID[5:0]: Dynamically allocated direct identifier to 4 Data bytes SetPosParam command. There should be as many dedicated identifiers to this SetPosParam command as there are stepper-motors connected to the LIN bus.

Pos [15:0]: Signed 16-bit position set-point.

Sleep

This command is provided to the circuit by the LIN master to put all the slave nodes connected to the LIN bus into sleep mode. If this command occurs during a motion of the motor, TagPos is reprogrammed to SecPos (provided SecPos is different from “100 0000 0000”), or a SoftStop is executed before going to sleep mode. See LIN 1.3 specification and Sleep Mode. The corresponding LIN

frame is a master request command frame (identifier 0x3C) with data byte 1 containing 0x00 while the followings contain 0xFF.

Note: SleepEnable needs to be set to 1 in order to allow the device to go to sleep. If SleepEnable is 0 the device will go into “stopped state”

Table 69. SLEEP WRITING FRAME

| Byte | Content | Structure | | | | | | | |
|------|------------|--------------------|-------|-------|-------|-------|-------|-------|-------|
| | | Bit 7 | Bit 6 | Bit 5 | Bit 4 | Bit 3 | Bit 2 | Bit 1 | Bit 0 |
| 0 | Identifier | 0 | 0 | 1 | 1 | 1 | 1 | 0 | 0 |
| 1 | Data 1 | 0x00 | | | | | | | |
| 2 | Data 2 | 0xFF | | | | | | | |
| 3 | Checksum | Checksum over data | | | | | | | |

SoftStop

If a **SoftStop** command occurs during a motion of the stepper motor, it provokes an immediate deceleration to *Vmin* (see Minimum Velocity) followed by a stop, regardless of the position reached. Once the motor is stopped, *TagPos* register is overwritten with value in *ActPos* register to ensure keeping the stop position.

Note: The dynamic ID allocation has to be assigned to ‘General Purpose 2 Data bytes’ ROM pointer ‘0000’. The command is decoded only from the command data.

Note: A **SoftStop** command occurring during a *DualPosition* sequence is not taken into account.

Command **SoftStop** occurs in the following cases:

- The chip temperature rises above the thermal shutdown threshold (see DC Parameters and Temperature Management);
- The LIN master requests a **SoftStop**. Hence **SoftStop** will correspond to the following two data bytes LIN writing frame (type #1).

Table 70. SoftStop WRITING FRAME TYPE #1

| Byte | Content | Structure | | | | | | | |
|------|------------|--------------------|-----------------|-------|-------|-------|-------|-------|-------|
| | | Bit 7 | Bit 6 | Bit 5 | Bit 4 | Bit 3 | Bit 2 | Bit 1 | Bit 0 |
| 0 | Identifier | * | * | 0 | ID4 | ID3 | ID2 | ID1 | ID0 |
| 1 | Data 1 | 1 | CMD[6:0] = 0x0F | | | | | | |
| 2 | Data 2 | Broad | AD[6:0] | | | | | | |
| 3 | Checksum | Checksum over data | | | | | | | |

Where:

(*) according to parity computation

Broad: If broad = ‘0’ all the stepper motors connected to the LIN bus will stop with deceleration.

TestBemf (not applicable for “Product Versions PGA & PNA”)

This command is provided to the circuit by the LIN Master in order to output the Bemf integrator output to the SWI output of the chip. Once activated, it can be stopped only after POR. During the Bemf observation, reading of the SWI state is internally forbidden.

Note: The dynamic ID allocation has to be assigned to ‘General Purpose 2 Data bytes’ ROM pointer, i.e. ‘0000’. The command is decoded only from the command data.

TestBemf corresponds to the following LIN writing frames (type #1).

Table 71. TestBemf WRITING FRAME

| Byte | Content | Structure | | | | | | | |
|------|------------|--------------------|-----------------|-------|-------|-------|-------|-------|-------|
| | | Bit 7 | Bit 6 | Bit 5 | Bit 4 | Bit 3 | Bit 2 | Bit 1 | Bit 0 |
| 0 | Identifier | * | * | 0 | ID4 | ID3 | ID2 | ID1 | ID0 |
| 1 | Data 1 | 1 | CMD[6:0] = 0x1F | | | | | | |
| 2 | Data 2 | Broad | AD[6:0] | | | | | | |
| 3 | Checksum | Checksum over data | | | | | | | |

Where:

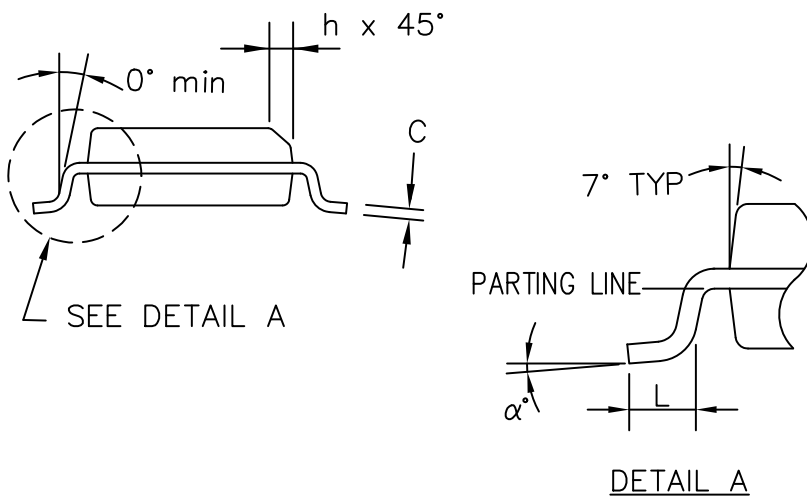
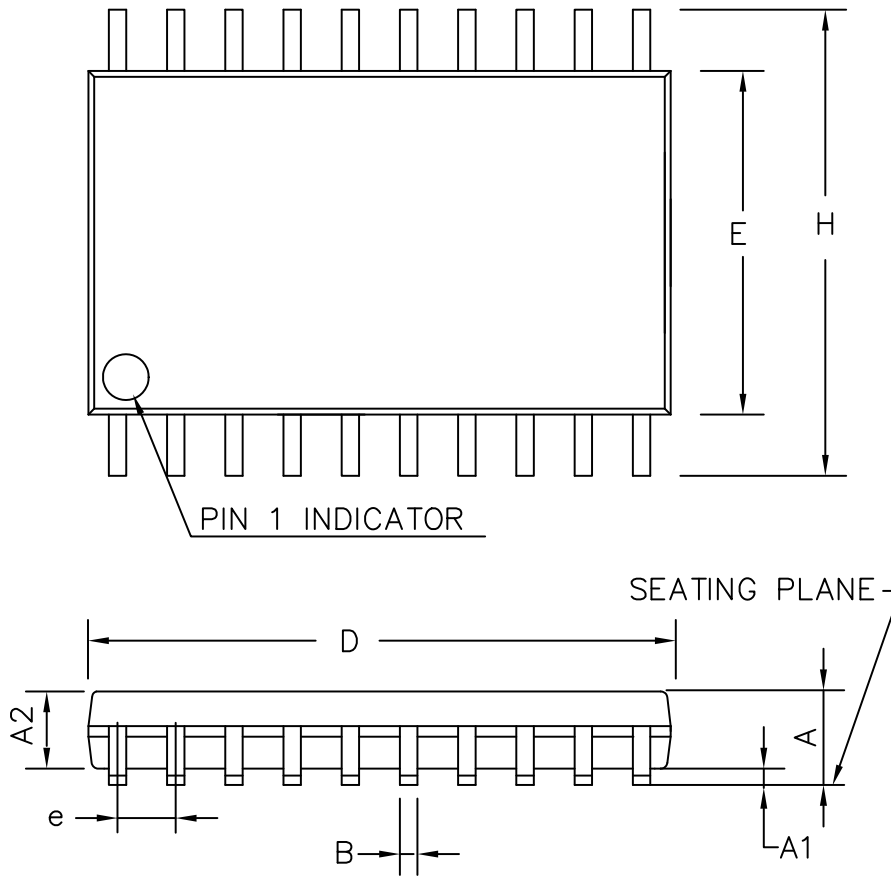
(*) according to parity computation

Broad: If broad = ‘0’ all the stepper motors connected to the LIN bus will be affected.

AMIS-30623

PACKAGE DIMENSIONS

SOIC 20 W
CASE 751AQ-01
ISSUE O

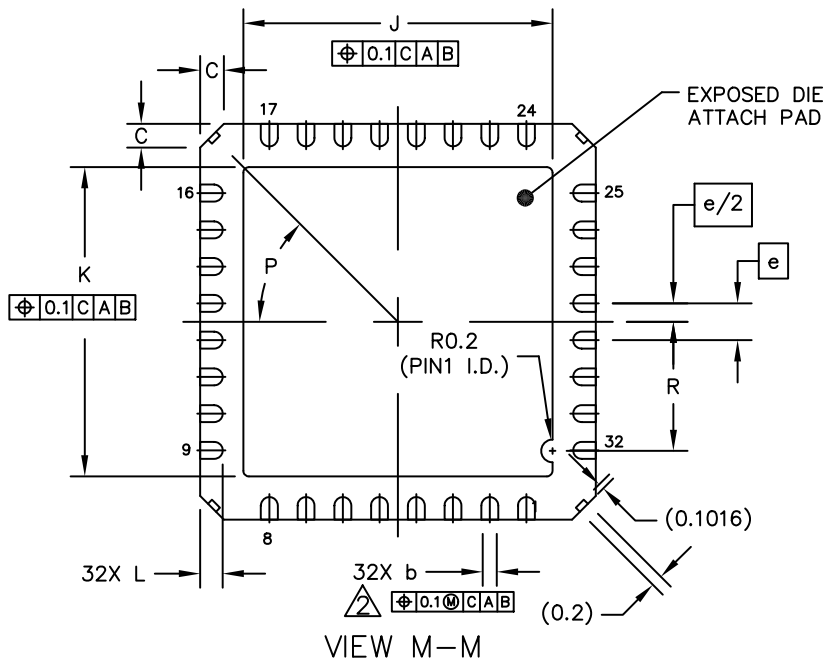
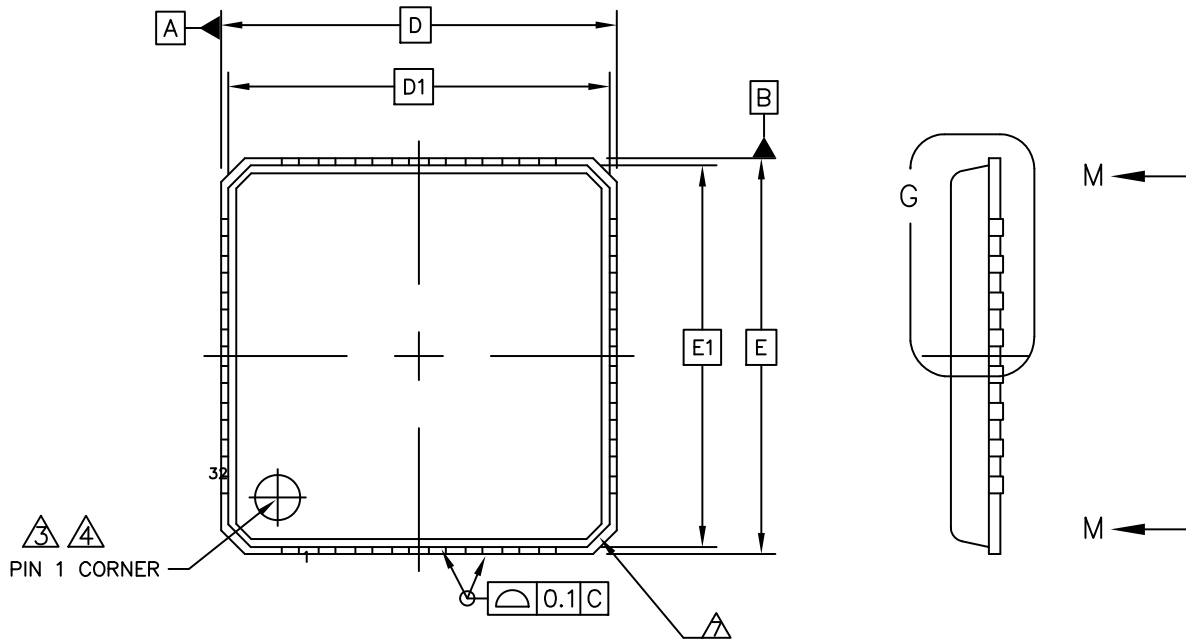


| DIMENSIONS IN INCHES | | | |
|----------------------|-----------|--------|--------|
| SYMBOL | MIN. | NOM. | MAX. |
| A | 0.093 | 0.099 | 0.104 |
| A1 | 0.004 | 0.008 | 0.012 |
| A2 | 0.088 | 0.094 | 0.100 |
| B | 0.013 | 0.016 | 0.020 |
| C | 0.0090 | 0.0100 | 0.0125 |
| D | 0.496 | 0.503 | 0.510 |
| E | 0.292 | 0.296 | 0.299 |
| e | .050 BSC. | | |
| H | 0.394 | 0.402 | 0.419 |
| h | 0.010 | 0.015 | 0.019 |
| L | 0.016 | 0.033 | 0.050 |
| α | 0° | 5° | 8° |

AMIS-30623

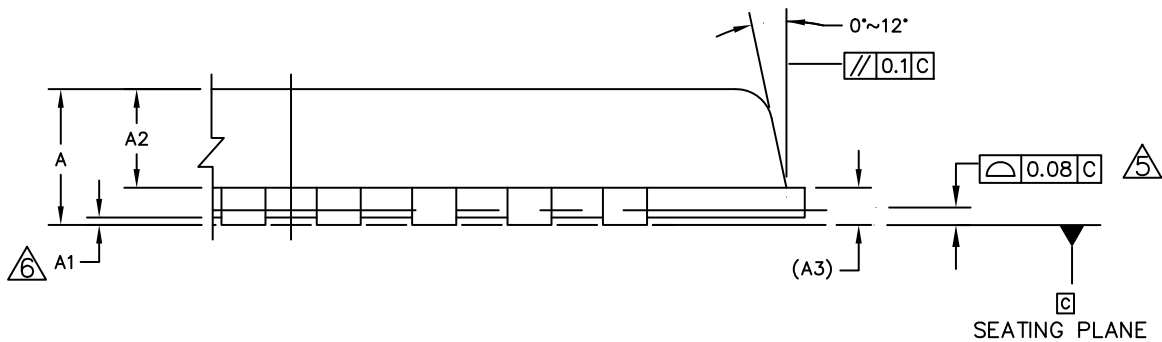
PACKAGE DIMENSIONS

NQFP-32, 7x7
 CASE 560AA-01
 ISSUE O



AMIS-30623

NQFP-32, 7x7
CASE 560AA-01
ISSUE O



DETAIL G
VIEW ROTATED 90° CLOCKWISE

| DIM | MIN | NOM | MAX | NOTES |
|-----|-------|------------|--------------------------|---|
| A | 0.8 | | 0.9 | 1. DIE THICKNESS ALLOWABLE IS 0.305mm MAXIMUM (.012 INCHES MAXIMUM) ② DIMENSION APPLIES TO PLATED TERMINAL AND IS MEASURED BETWEEN 0.2 AND 0.25mm FROM TERMINAL TIP. ③ THE PIN #1 IDENTIFIER MUST BE PLACED ON THE TOP SURFACE OF THE PACKAGE BY USING INDENTATION MARK OR OTHER FEATURE OF PACKAGE BODY. ④ EXACT SHAPE AND SIZE OF THIS FEATURE IS OPTIONAL. ⑤ APPLIED FOR EXPOSED PAD AND TERMINALS. EXCLUDE EMBEDDING PART OF EXPOSED PAD FROM MEASURING. ⑥ APPLIED ONLY TO TERMINALS. ⑦ EXACT SHAPE OF EACH CORNER IS OPTIONAL. |
| A1 | 0 | 0.02 | 0.05 | |
| A2 | 0.576 | 0.615 | 0.654 | |
| A3 | | 0.203 REF. | | |
| b | 0.25 | 0.3 | 0.35 | |
| C | 0.24 | 0.42 | 0.6 | |
| D | | 7 BSC | | |
| D1 | | 6.75 BSC | | |
| E | | 7 BSC | | |
| E1 | | 6.75 BSC | | |
| e | | 0.65 BSC | | |
| J | 5.37 | 5.47 | 5.57 | |
| K | 5.37 | 5.47 | 5.57 | |
| L | 0.35 | 0.4 | 0.45 | |
| P | | 45° REF | | |
| R | 2.185 | | 2.385 | |
| | | UNIT | DIMENSION AND TOLERANCES | |
| | | MM | ASME_Y14.5M | JEDEC-MO-220_REV.F |

The products described herein (AMIS-30623) may be covered by the following U.S. patents: 7,271,993 and 7,288,956. There may be other patents pending.

ON Semiconductor and **ON** are registered trademarks of Semiconductor Components Industries, LLC (SCILLC). SCILLC reserves the right to make changes without further notice to any products herein. SCILLC makes no warranty, representation or guarantee regarding the suitability of its products for any particular purpose, nor does SCILLC assume any liability arising out of the application or use of any product or circuit, and specifically disclaims any and all liability, including without limitation special, consequential or incidental damages. "Typical" parameters which may be provided in SCILLC data sheets and/or specifications can and do vary in different applications and actual performance may vary over time. All operating parameters, including "Typicals" must be validated for each customer application by customer's technical experts. SCILLC does not convey any license under its patent rights nor the rights of others. SCILLC products are not designed, intended, or authorized for use as components in systems intended for surgical implant into the body, or other applications intended to support or sustain life, or for any other application in which the failure of the SCILLC product could create a situation where personal injury or death may occur. Should Buyer purchase or use SCILLC products for any such unintended or unauthorized application, Buyer shall indemnify and hold SCILLC and its officers, employees, subsidiaries, affiliates, and distributors harmless against all claims, costs, damages, and expenses, and reasonable attorney fees arising out of, directly or indirectly, any claim of personal injury or death associated with such unintended or unauthorized use, even if such claim alleges that SCILLC was negligent regarding the design or manufacture of the part. SCILLC is an Equal Opportunity/Affirmative Action Employer. This literature is subject to all applicable copyright laws and is not for resale in any manner.

PUBLICATION ORDERING INFORMATION

LITERATURE FULFILLMENT:
Literature Distribution Center for ON Semiconductor
P.O. Box 5163, Denver, Colorado 80217 USA
Phone: 303-675-2175 or 800-344-3860 Toll Free USA/Canada
Fax: 303-675-2176 or 800-344-3867 Toll Free USA/Canada
Email: orderlit@onsemi.com

N. American Technical Support: 800-282-9855 Toll Free USA/Canada
Europe, Middle East and Africa Technical Support:
Phone: 421 33 790 2910
Japan Customer Focus Center
Phone: 81-3-5773-3850

ON Semiconductor Website: www.onsemi.com
Order Literature: <http://www.onsemi.com/orderlit>
For additional information, please contact your local Sales Representative

Компания «Life Electronics» занимается поставками электронных компонентов импортного и отечественного производства от производителей и со складов крупных дистрибьюторов Европы, Америки и Азии.

С конца 2013 года компания активно расширяет линейку поставок компонентов по направлению коаксиальный кабель, кварцевые генераторы и конденсаторы (керамические, пленочные, электролитические), за счёт заключения дистрибьюторских договоров

Мы предлагаем:

- Конкурентоспособные цены и скидки постоянным клиентам.
- Специальные условия для постоянных клиентов.
- Подбор аналогов.
- Поставку компонентов в любых объемах, удовлетворяющих вашим потребностям.
- Приемлемые сроки поставки, возможна ускоренная поставка.
- Доставку товара в любую точку России и стран СНГ.
- Комплексную поставку.
- Работу по проектам и поставку образцов.
- Формирование склада под заказчика.
- Сертификаты соответствия на поставляемую продукцию (по желанию клиента).
- Тестирование поставляемой продукции.
- Поставку компонентов, требующих военную и космическую приемку.
- Входной контроль качества.
- Наличие сертификата ISO.

В составе нашей компании организован Конструкторский отдел, призванный помогать разработчикам, и инженерам.

Конструкторский отдел помогает осуществить:

- Регистрацию проекта у производителя компонентов.
- Техническую поддержку проекта.
- Защиту от снятия компонента с производства.
- Оценку стоимости проекта по компонентам.
- Изготовление тестовой платы монтаж и пусконаладочные работы.



Тел: +7 (812) 336 43 04 (многоканальный)

Email: org@lifeelectronics.ru