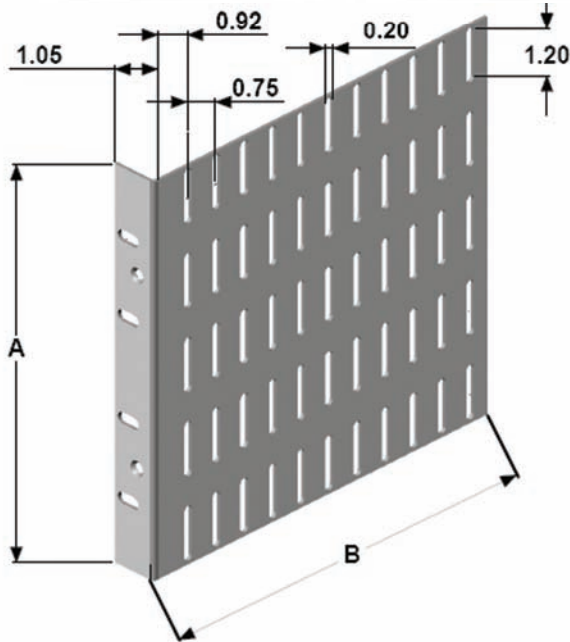


EIA -Based VectorPak™ Subrack Systems

Rack Accessories



“P” Type Side Panel

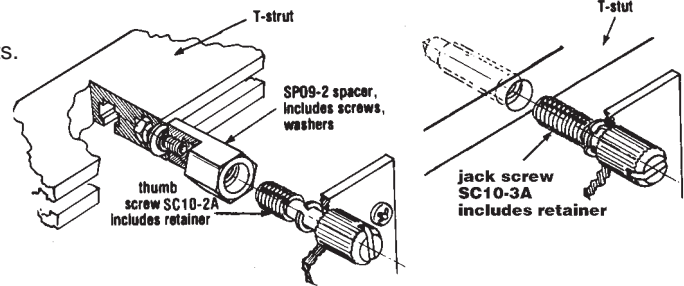
Material: 0.080" aluminum with clear irridite finish

| Part No. | Overall Height A | Depth B | Vector Handle | Accepts Max Card Height | Rack Units (H) |
|--------------|------------------|---------|---------------|-------------------------|----------------|
| SW34P89/90 | 3.48" | 9.0" | HA13 | 2.75" | 2U |
| SW34P119/90 | 3.48" | 12.0" | HA13 | 2.75" | 2U |
| SW34P156/90 | 3.48" | 15.75" | HA13 | 2.75" | 2U |
| SW52P89/90 | 5.23" | 9.0" | HA12 | 4.5" | 3U |
| SW52P119/90 | 5.23" | 12.0" | HA12 | 4.5" | 3U |
| SW52P156/90 | 5.23" | 15.75" | HA12 | 4.5" | 3U |
| SW69P89/90 | 6.98" | 9.0" | HA13 | 6.25" | 4U |
| SW69P119/90 | 6.98" | 12.0" | HA13 | 6.25" | 4U |
| SW69P156/90 | 6.98" | 15.75" | HA13 | 6.25" | 4U |
| SW87P89/90 | 8.73" | 9.0" | HA12 | 8.0" | 5U |
| SW87P119/90 | 8.73" | 12.0" | HA12 | 8.0" | 5U |
| SW87P156/90 | 8.73" | 15.75" | HA12 | 8.0" | 5U |
| SW104P89/90 | 10.47" | 9.0" | HA12 | 9.75" | 6U |
| SW104P119/90 | 10.47" | 12.0" | HA12 | 9.75" | 6U |
| SW104P156/90 | 10.47" | 15.75" | HA12 | 9.75" | 6U |
| SW122P156/90 | 12.22" | 15.75" | HA12 | 11.5" | 7U |
| SW122P202/90 | 12.22" | 20.25" | HA12 | 11.5" | 7U |
| SW157P119/90 | 15.72" | 12.0" | HA19-9U | 15.0" | 9U |

Modules or Front Panel Mounting Hardware

SC 10-2A Thumb screws and SC10-3A jack screws (supplied with EFP modules, Cardmount modules and front assemblies to T-struts. SP09-2 spacers are used as standoffs for mounting modules to 1" T-struts (1.79" struts are standard with module subracks.)

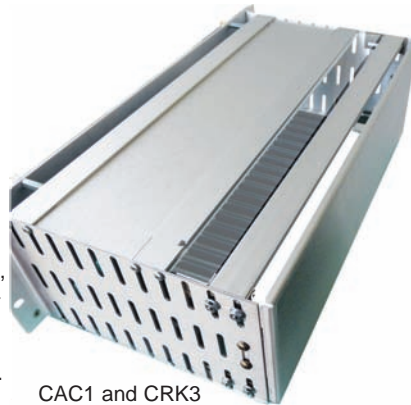
| Part No. | Description | Pkg Qty |
|----------|---|---------|
| SP09-2 | Hex spacer for module mounting, includes hardware | 12 |
| SC10-2A | Thumb screw fully threaded for direct attachment of panels | 12 |
| SC10-3A | Jack screw for mounting modules to T-struts with jacking action | 12 |



THE FOLLOWING ACCESSORIES ARE NOT COMPATIBLE WITH CCE-STYLE ENCLOSED RACKS ON THE PREVIOUS PAGE

Top and Bottom Card Rack Covers - CAC1, CAC2, CAC3

Two 1/16" thick aluminum covers with clear irridite finish provide protection over and under the card area, is designed to snap into opposing groves in the horizontal T-Strut rails. Rear panels CRK3, CRK5, CRK7 includes attachment hardware for mounting onto Vectorpak P-type side-panels are easy to customize.



CAC1 and CRK3

Bottom Hinged Front Panels - HFP52-1

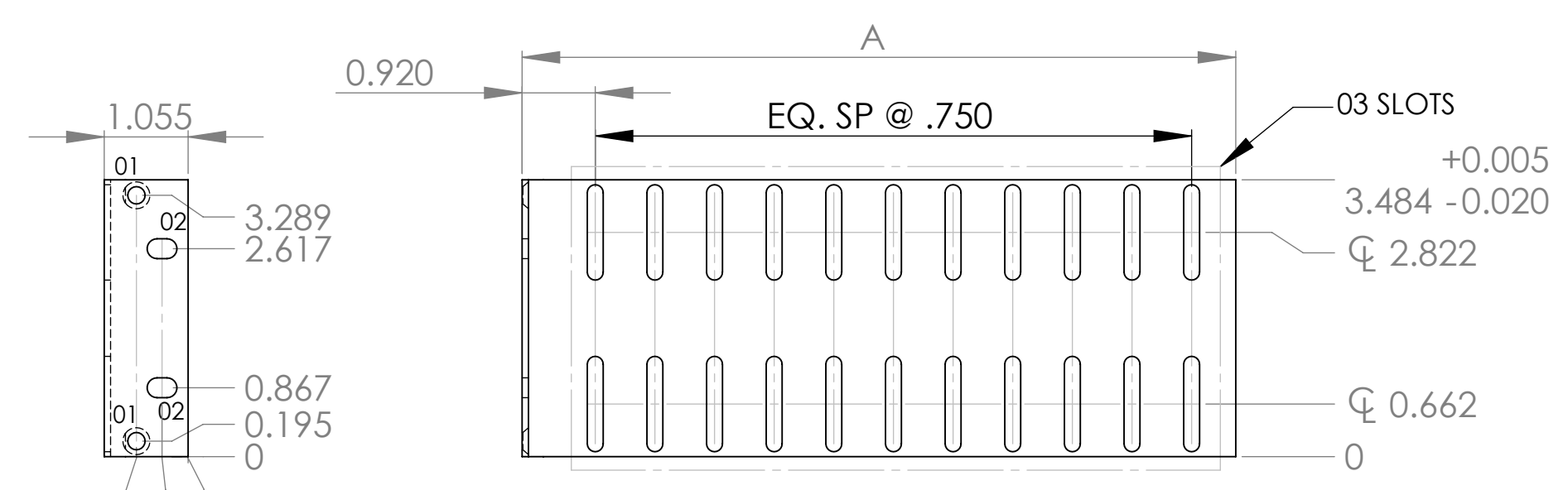
These are designed for use as a front "drop-down" panel with lanyard for holding the panel at 90°. Provides a work surface and prevents damage to equipment. Comes complete with hardware and full instructions. Panels are 1/8" thick brushed aluminum with clear irridite finish.



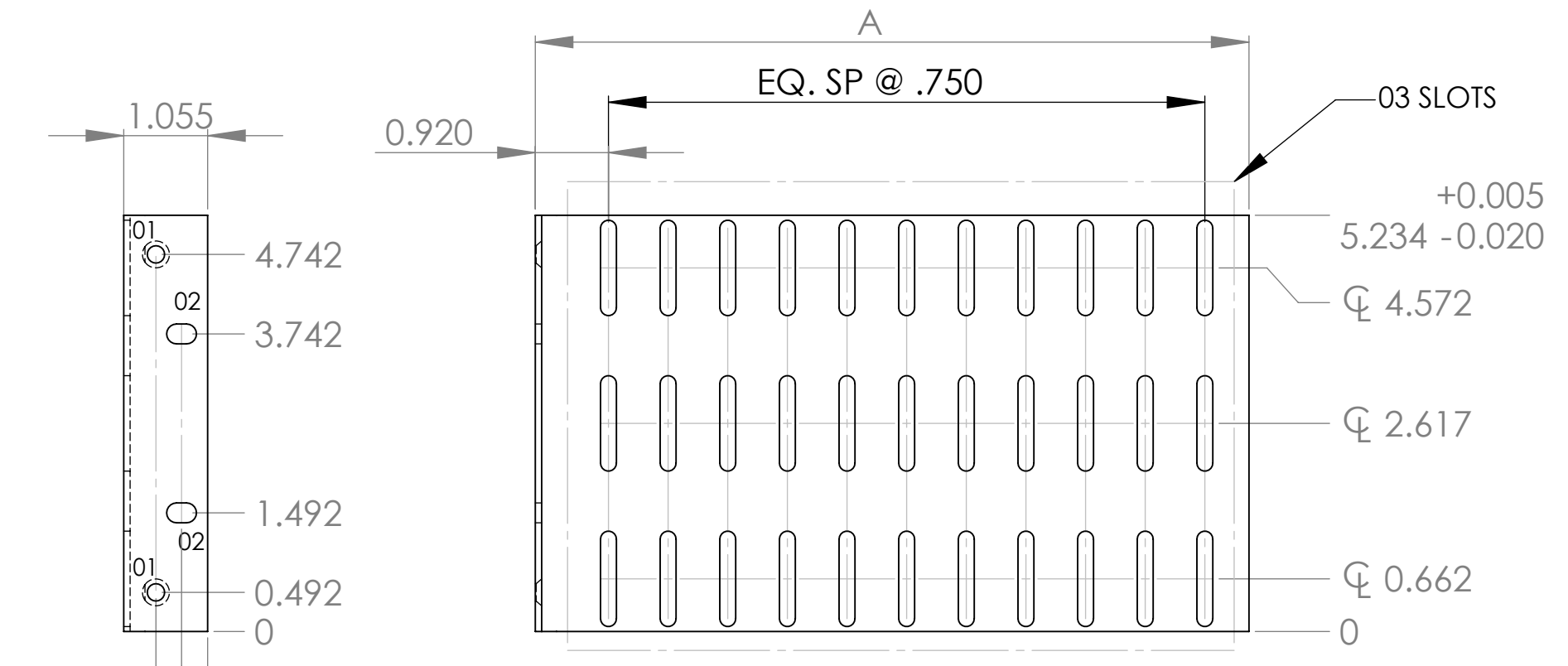
CCA13S with HFP52-1

| Use With Rack Size | Height | Width | Depth | Bottom Hinged Front Panels (w/L20 lanyard) | Rear Panels | Top / Bottom solid Covers | Rack Flange Dress Panels (3" wide) | Rack Handles (Sold as pair) |
|----------------------|--------|--------|--------|--|-------------|---------------------------|------------------------------------|-----------------------------|
| (Actual wall height) | | | | | | | | |
| 3U | 5.23" | 19.00" | 9.00" | HFP52-1 | CRK3 | CAC1 | FP52-2 | HA12 |
| 3U | 5.23" | 19.00" | 12.00" | HFP52-1 | CRK3 | CAC2 | FP52-2 | HA12 |
| 3U | 5.23" | 19.00" | 15.75" | HFP52-1 | CRK3 | CAC3 | FP52-2 | HA12 |
| 4U | 6.98" | 19.00" | 12.00" | HFP69-1 | CRK5 | CAC2 | FP69-2 | HA13 |
| 4U | 6.98" | 19.00" | 15.75" | HFP69-1 | CRK5 | CAC3 | FP69-2 | HA13 |
| 5U | 8.73" | 19.00" | 12.00" | HFP87-1 | CRK7 | CAC2 | FP87-2 | HA12 |
| 5U | 8.73" | 19.00" | 15.75" | HFP87-1 | CRK7 | CAC3 | FP87-2 | HA12 |

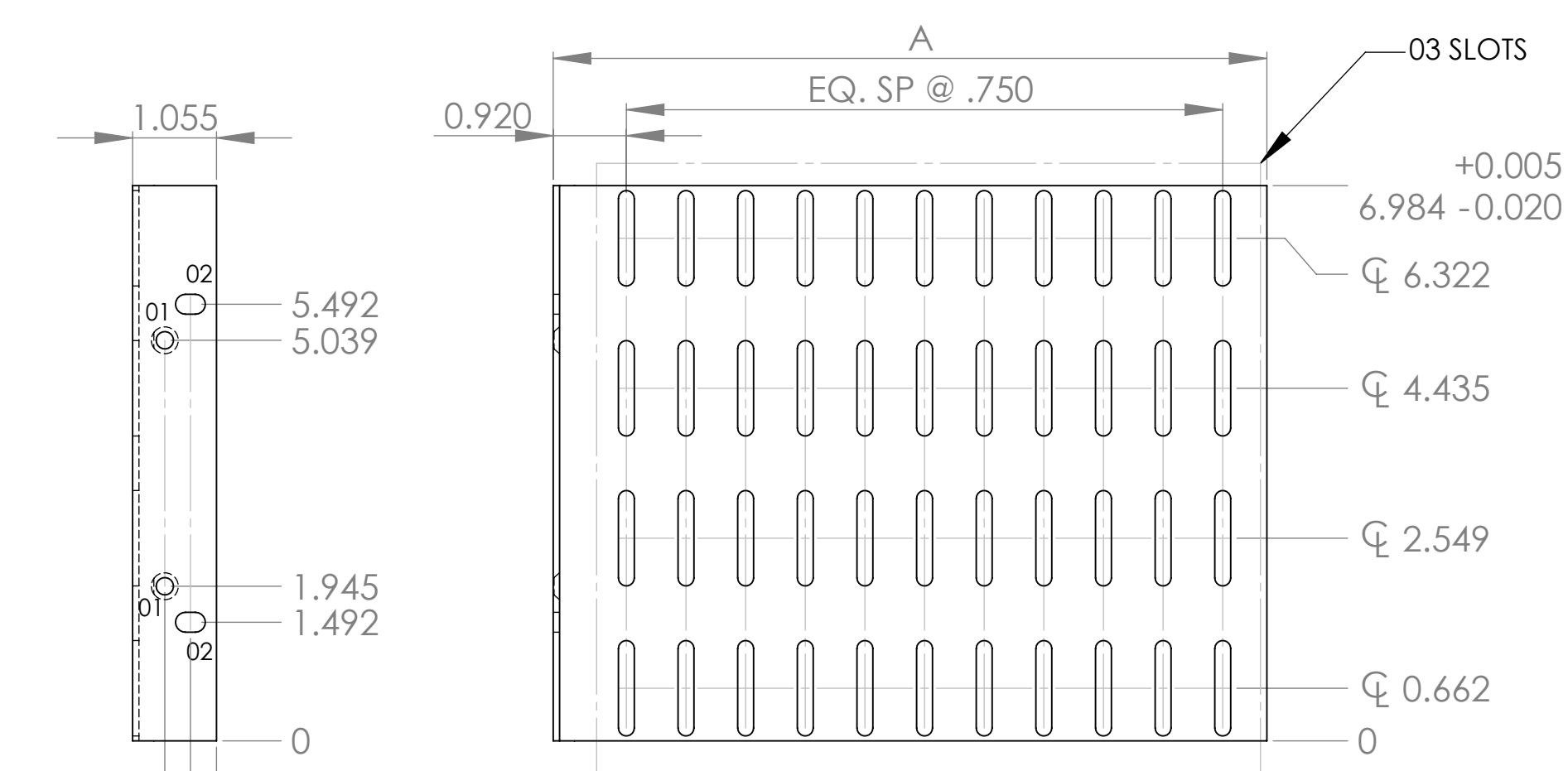
| ZONE | REV. | DESCRIPTION | DATE | APPROVED |
|------|------|----------------------------------|----------|----------|
| G | | REDRAWN, ECO 3028 | 03/14/86 | |
| H | | INC ECO 3924 | 01/02/91 | |
| H | | REVISED AND REDRAWN, N/C | 09/14/93 | |
| H1 | | INCORPORATED ECO 4078 | 04/14/94 | |
| H2 | | REDRAWN, CHANGES IN DETAIL NO. 5 | 08/05/05 | |
| I | | ADDED DETAIL 6 | 01/11/12 | |



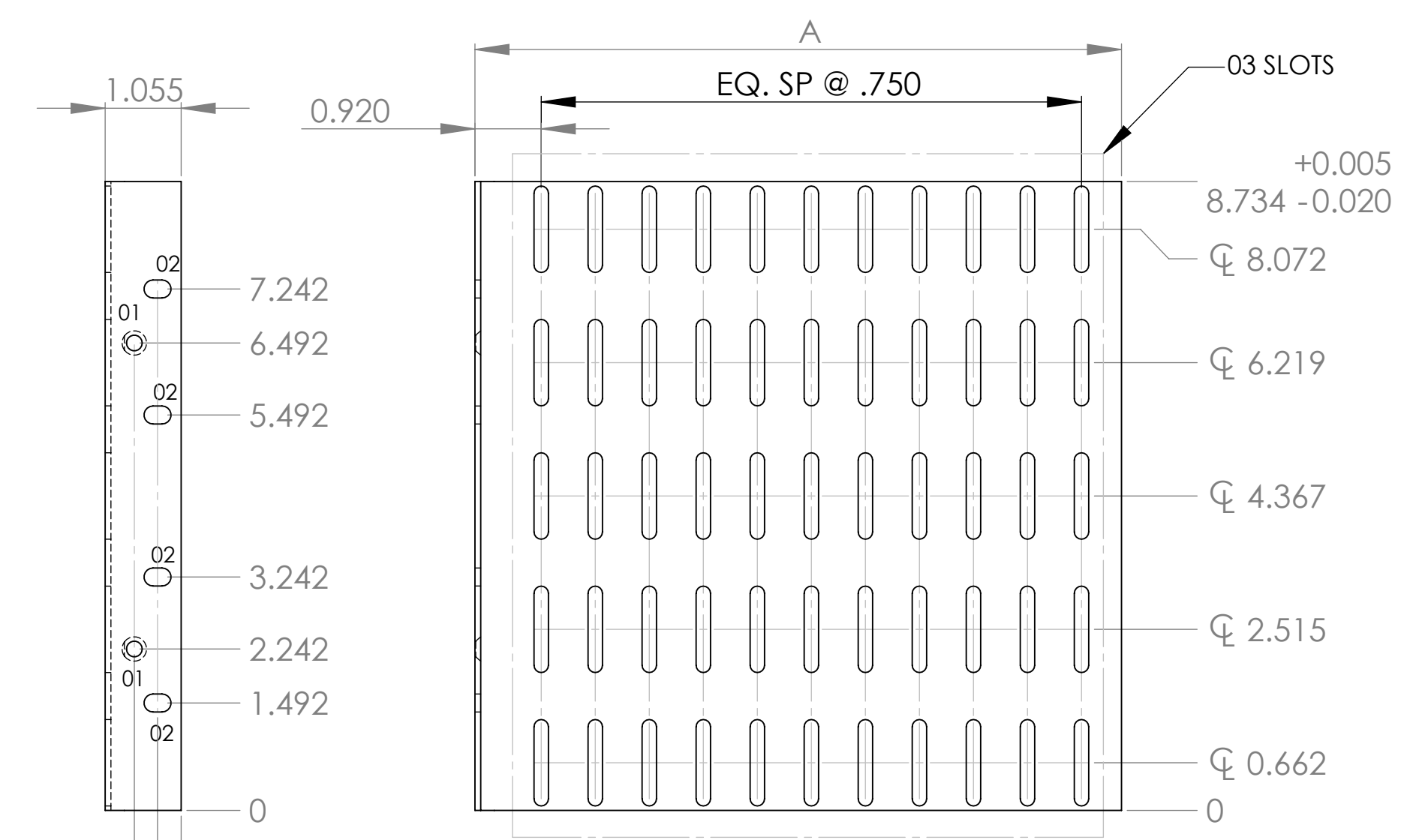
DETAIL NO. 1 SW34P89 SHOWN



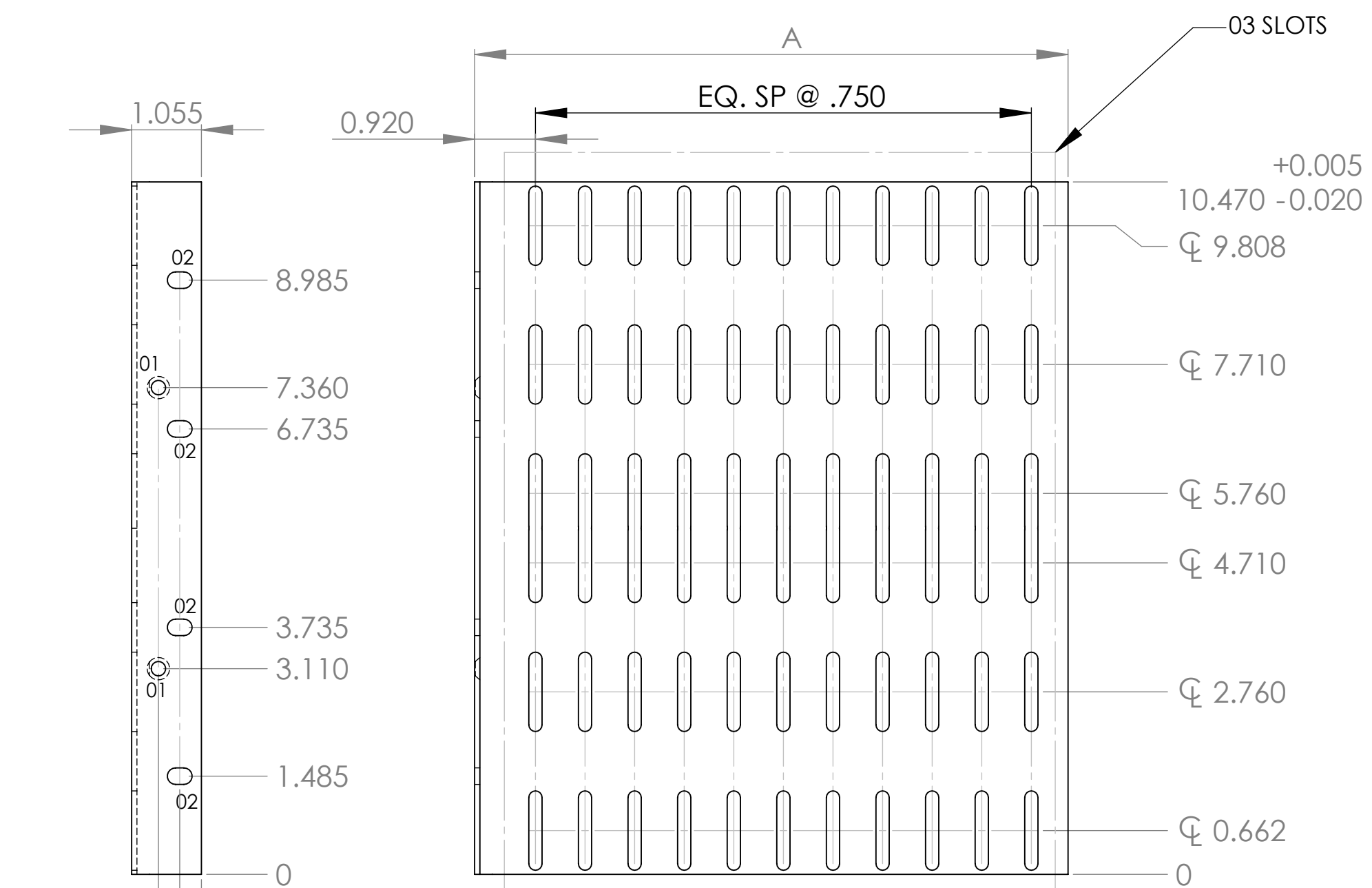
DETAIL NO. 2 SW52P89 SHOWN



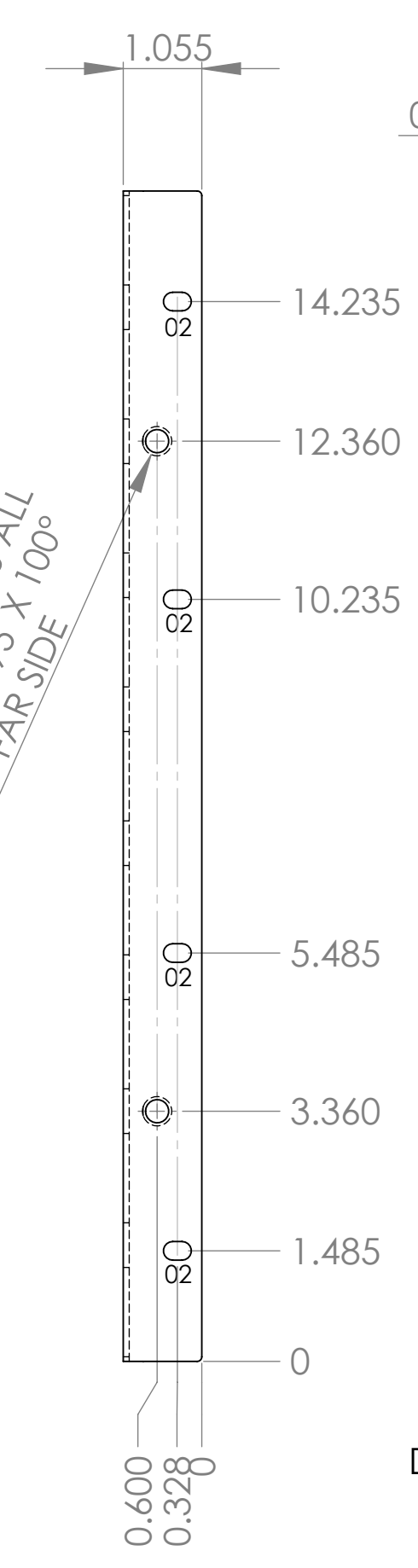
DETAIL NO. 3 SW69P89 SHOWN



DETAIL NO. 4 SW87P89 SHOWN



DETAIL NO. 5 SW104P89 SHOWN



DETAIL NO. 6 SW157P119/90 SHOWN

| TABULATION | | |
|------------|---|-----------|
| SYM | SIZE | QTY |
| 01 | .218 +/- .002 DIA. CSK X .339 +/- .005 DIA. | 2 |
| 02 | .250 X .375 OBLONG | SEE TABLE |
| 03 | .200 +/- .005 X 1.200 OBLONG | TABLE |

| TABULATION | | | | | |
|--------------|----------|---------------|-----------|--------------|--------------|
| CAT. NO. | DET. NO. | A | | QTY 02 SLOTS | QTY 03 SLOTS |
| | | Deformed Lgth | Flat Lgth | | |
| SW34P89/90 | 1 | 8.975 | 9.845 | 2 | 22 |
| SW34P119/90 | 1 | 11.975 | 12.845 | 2 | 30 |
| SW34P156/90 | 1 | 15.725 | 16.595 | 2 | 40 |
| SW52P89/90 | 2 | 8.975 | 9.845 | 2 | 33 |
| SW52P119/90 | 2 | 11.975 | 12.845 | 2 | 45 |
| SW52P156/90 | 2 | 15.725 | 16.595 | 2 | 60 |
| SW69P89/90 | 3 | 8.975 | 9.845 | 2 | 44 |
| SW69P119/90 | 3 | 11.975 | 12.845 | 2 | 60 |
| SW69P156/90 | 3 | 15.725 | 16.595 | 2 | 80 |
| SW87P89/90 | 4 | 8.975 | 9.845 | 4 | 55 |
| SW87P119/90 | 4 | 11.975 | 12.845 | 4 | 75 |
| SW87P156/90 | 4 | 15.725 | 16.595 | 4 | 100 |
| SW104P89/90 | 5 | 8.975 | 9.845 | 4 | 66 |
| SW104P119/90 | 5 | 11.975 | 12.845 | 4 | 75 |
| SW104P156/90 | 5 | 15.725 | 16.595 | 4 | 100 |
| SW157P119/90 | 6 | 11.975 | 12.845 | 4 | 135 |

- 6. K = .185
 - 5. INSIDE BEND RADIUS: .187
 - 4. GRAIN FINISH
 - 3. FINISH: SATIN ETCH, 7 MIN., CHEM., FILM, CLEAR CLASS 1A, IAW MIL-C-5541
 - 2. MATL: AL. ALLOY, 5005-H34, .080 THK., PRE - ANOD. ,P/N: 0030-55-31
 - 1. REMOVE ALL BURRS AND SHARP EDGES
- NOTES: UNLESS OTHERWISE SPECIFIED

PROPRIETARY AND CONFIDENTIAL
 THE INFORMATION CONTAINED IN THIS DRAWING IS THE SOLE PROPERTY OF VECTOR ELECTRONICS & TECHNOLOGIES INC. ANY REPRODUCTION IN PART OR AS A WHOLE WITHOUT THE WRITTEN PERMISSION OF VECTOR ELECTRONICS & TECHNOLOGIES INC. IS PROHIBITED.

| | | |
|---|-----------------------------------|---|
| UNLESS OTHERWISE SPECIFIED: DIMENSIONS ARE IN INCHES TOLERANCES: FRACTIONAL ± .01 ANGULAR ± 5° TWO PLACE DECIMAL ± .03 THREE PLACE DECIMAL ± .010 | NAME: ASAH DATE: 08/05/05 | VECTOR ELECTRONICS & TECHNOLOGIES INC. NORTH HOLLYWOOD, CA |
| DRAWN: [] CHECKED: [] ENG APPR: [] MFG APPR: [] G.A. COMMENTS: [] | TITLE: SIDE WALL P-TYPE, STANDARD | SIZE: D DWG. NO. M4424D5.11 REV I |
| APPLICATION: [] | SCALE: 1:2 | WEIGHT: [] SHEET: 1 OF 1 |

Компания «Life Electronics» занимается поставками электронных компонентов импортного и отечественного производства от производителей и со складов крупных дистрибьюторов Европы, Америки и Азии.

С конца 2013 года компания активно расширяет линейку поставок компонентов по направлению коаксиальный кабель, кварцевые генераторы и конденсаторы (керамические, пленочные, электролитические), за счёт заключения дистрибьюторских договоров

Мы предлагаем:

- Конкуренеспособные цены и скидки постоянным клиентам.
- Специальные условия для постоянных клиентов.
- Подбор аналогов.
- Поставку компонентов в любых объемах, удовлетворяющих вашим потребностям.
- Приемлемые сроки поставки, возможна ускоренная поставка.
- Доставку товара в любую точку России и стран СНГ.
- Комплексную поставку.
- Работу по проектам и поставку образцов.
- Формирование склада под заказчика.
- Сертификаты соответствия на поставляемую продукцию (по желанию клиента).
- Тестирование поставляемой продукции.
- Поставку компонентов, требующих военную и космическую приемку.
- Входной контроль качества.
- Наличие сертификата ISO.

В составе нашей компании организован Конструкторский отдел, призванный помогать разработчикам, и инженерам.

Конструкторский отдел помогает осуществить:

- Регистрацию проекта у производителя компонентов.
- Техническую поддержку проекта.
- Защиту от снятия компонента с производства.
- Оценку стоимости проекта по компонентам.
- Изготовление тестовой платы монтаж и пусконаладочные работы.



Тел: +7 (812) 336 43 04 (многоканальный)

Email: org@lifeelectronics.ru