

### FEATURES

- Wideband switch:  $-3$  dB @ 4 GHz
- Absorptive/reflective switches
- High off isolation (43 dB @ 1 GHz)
- Low insertion loss (0.8 dB @ 1 GHz)
- Single 1.65 V to 2.75 V power supply
- CMOS/LVTTL control logic
- 8-lead MSOP and tiny 3 mm  $\times$  3 mm LFCSP packages
- Low power consumption ( $<1$   $\mu$ A)

### APPLICATIONS

- Wireless communications
- General-purpose RF switching
- Dual-band applications
- High speed filter selection
- Digital transceiver front end switch
- IF switching
- Tuner modules
  - Antenna diversity switching

### GENERAL DESCRIPTION

The ADG918/ADG919 are wideband switches using a CMOS process to provide high isolation and low insertion loss to 1 GHz. The ADG918 is an absorptive (matched) switch having 50  $\Omega$  terminated shunt legs, whereas the ADG919 is a reflective switch. These devices are designed such that the isolation is high over the dc to 1 GHz frequency range. They have on-board CMOS control logic, thus eliminating the need for external controlling circuitry. The control inputs are both CMOS and



Figure 2. Off Isolation vs. Frequency

03335-003

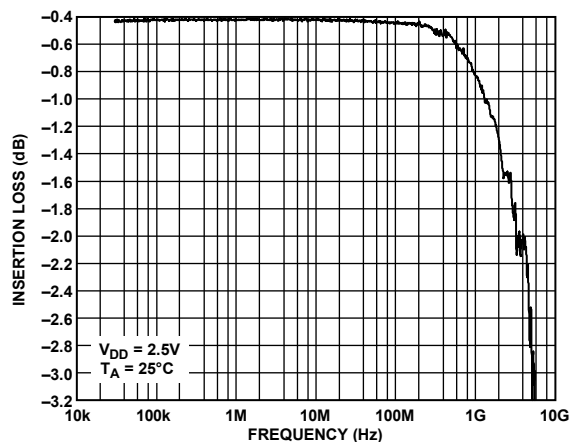


Figure 3. Insertion Loss vs. Frequency

03335-004

### FUNCTIONAL BLOCK DIAGRAMS

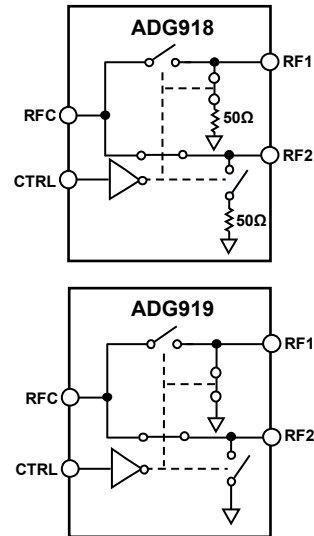


Figure 1.

03335-001

LVTTL compatible. The low power consumption of these CMOS devices makes them ideally suited to wireless and general-purpose high frequency switching applications.

### PRODUCT HIGHLIGHTS

1.  $-43$  dB off isolation @ 1 GHz.
2. 0.8 dB insertion loss @ 1 GHz.
3. Tiny 8-lead MSOP/LFCSP packages.

### Rev. C

Information furnished by Analog Devices is believed to be accurate and reliable. However, no responsibility is assumed by Analog Devices for its use, nor for any infringements of patents or other rights of third parties that may result from its use. Specifications subject to change without notice. No license is granted by implication or otherwise under any patent or patent rights of Analog Devices. Trademarks and registered trademarks are the property of their respective owners.

## TABLE OF CONTENTS

Features .....	1	Terminology .....	10
Applications.....	1	Test Circuits.....	11
Functional Block Diagrams.....	1	Applications Information .....	13
General Description .....	1	Absorptive vs. Reflective Switch.....	13
Product Highlights .....	1	Wireless Metering.....	13
Revision History .....	2	Tuner Modules.....	13
Specifications.....	3	Filter Selection .....	13
Absolute Maximum Ratings.....	5	ADG9xx Evaluation Board .....	14
ESD Caution.....	5	Outline Dimensions .....	15
Pin Configuration and Function Descriptions.....	6	Ordering Guide .....	16
Typical Performance Characteristics .....	7		

## REVISION HISTORY

### 9/08—Rev. B to Rev. C

Changes to Ordering Guide .....	16
---------------------------------	----

### 8/08—Rev. A to Rev. B

Changes to Table 1, AC Electrical Characteristics, Third Order Intermodulation Intercept.....	3
Updated Outline Dimensions .....	15
Changes to Ordering Guide .....	16

### 9/04—Changed from Rev. 0 to Rev. A

Updated Format.....	Universal
Change to Data Sheet Title.....	1
Change to Features .....	1
Change to Product Highlights .....	1
Changes to Specifications.....	3
Change to ADG9xx Evaluation Board section .....	13
Changes to Ordering Guide .....	14

### 8/03 Revision 0: Initial Version

## SPECIFICATIONS

$V_{DD} = 1.65\text{ V to }2.75\text{ V}$ ,  $GND = 0\text{ V}$ , input power = 0 dBm, all specifications  $T_{MIN}$  to  $T_{MAX}$ , unless otherwise noted. Temperature range for B Version:  $-40^{\circ}\text{C to }+85^{\circ}\text{C}$ .

Table 1.

Parameter	Symbol	Conditions	B Version			Unit
			Min	Typ <sup>1</sup>	Max	
AC ELECTRICAL CHARACTERISTICS						
Operating Frequency <sup>2</sup>			dc		2	GHz
3 dB Frequency <sup>3</sup>					4	GHz
Input Power <sup>3</sup>		0 V dc bias			7	dBm
		0.5 V dc bias			16	dBm
Insertion Loss	$S_{21}, S_{12}$	DC to 100 MHz; $V_{DD} = 2.5\text{ V} \pm 10\%$		0.4	0.7	dB
		500 MHz; $V_{DD} = 2.5\text{ V} \pm 10\%$		0.5	0.8	dB
		1000 MHz; $V_{DD} = 2.5\text{ V} \pm 10\%$		0.8	1.25	dB
Isolation—RFC to RF1/RF2 (CP Package)	$S_{21}, S_{12}$	100 MHz	57	60		dB
		500 MHz	46	49		dB
		1000 MHz	36	43		dB
Isolation—RFC to RF1/RF2 (RM Package)	$S_{21}, S_{12}$	100 MHz	55	60		dB
		500 MHz	43	47		dB
		1000 MHz	34	37		dB
Isolation—RF1 to RF2 (Crosstalk) (CP Package)	$S_{21}, S_{12}$	100 MHz	55	58		
		500 MHz	41	44		
		1000 MHz	31	37		
Isolation—RF1 to RF2 (Crosstalk) (RM Package)	$S_{21}, S_{12}$	100 MHz	54	57		
		500 MHz	39	42		
		1000 MHz	31	33		
Return Loss (On Channel) <sup>3</sup>	$S_{11}, S_{22}$	DC to 100 MHz	21	27		dB
		500 MHz	22	27		dB
		1000 MHz	22	26		dB
Return Loss (Off Channel) <sup>3</sup> ADG918	$S_{11}, S_{22}$	DC to 100 MHz	18	23		dB
		500 MHz	17	21		dB
		1000 MHz	16	20		dB
On Switching Time <sup>3</sup>	$t_{ON}$	50% CTRL to 90% RF		6.6	10	ns
Off Switching Time <sup>3</sup>	$t_{OFF}$	50% CTRL to 10% RF		6.5	9.5	ns
Rise Time <sup>3</sup>	$t_{RISE}$	10% to 90% RF		6.1	9	ns
Fall Time <sup>3</sup>	$t_{FALL}$	90% to 10% RF		6.1	9	ns
1 dB Compression <sup>3</sup>	$P_{-1\text{ dB}}$	1000 MHz		17		dBm
Third Order Intermodulation Intercept	$IP_3$	900 MHz/901 MHz, 4 dBm	28.5	36		dBm
Video Feedthrough <sup>4</sup>				2.5		mV p-p
DC ELECTRICAL CHARACTERISTICS						
Input High Voltage	$V_{INH}$	$V_{DD} = 2.25\text{ V to }2.75\text{ V}$	1.7			V
	$V_{INH}$	$V_{DD} = 1.65\text{ V to }1.95\text{ V}$	0.65 $V_{CC}$			V
Input Low Voltage	$V_{INL}$	$V_{DD} = 2.25\text{ V to }2.75\text{ V}$			0.7	V
	$V_{INL}$	$V_{DD} = 1.65\text{ V to }1.95\text{ V}$			0.35 $V_{CC}$	V
Input Leakage Current	$I_I$	$0\text{ V} \leq V_{IN} \leq 2.75\text{ V}$		$\pm 0.1$	$\pm 1$	$\mu\text{A}$

# ADG918/ADG919

Parameter	Symbol	Conditions	B Version			Unit
			Min	Typ <sup>1</sup>	Max	
CAPACITANCE <sup>3</sup>						
RF On Capacitance	C <sub>RF ON</sub>	f = 1 MHz		1.6		pF
CTRL Input Capacitance	C <sub>CTRL</sub>	f = 1 MHz		2		pF
POWER REQUIREMENTS						
V <sub>DD</sub>			1.65		2.75	V
Quiescent Power Supply Current	I <sub>DD</sub>	Digital inputs = 0 V or V <sub>DD</sub>		0.1	1	μA

<sup>1</sup> Typical values are at V<sub>DD</sub> = 2.5 V and 25°C, unless otherwise stated.

<sup>2</sup> Point at which insertion loss degrades by 1 dB.

<sup>3</sup> Guaranteed by design, not subject to production test.

<sup>4</sup> The dc transience at the output of any port of the switch when the control voltage is switched from high to low or low to high in a 50 Ω test setup, measured with 1 ns rise time pulses and 500 MHz bandwidth.

## ABSOLUTE MAXIMUM RATINGS

$T_A = 25^\circ\text{C}$ , unless otherwise noted.

**Table 2.**

Parameter	Rating
$V_{DD}$ to GND	-0.5 V to +4 V
Inputs to GND	-0.5 V to $V_{DD} + 0.3\text{ V}$ <sup>1</sup>
Continuous Current	30 mA
Input Power	18 dBm
Operating Temperature Range	
Industrial (B Version)	-40°C to +85°C
Storage Temperature Range	-65°C to +150°C
Junction Temperature	150°C
MSOP Package	
$\theta_{JA}$ Thermal Impedance	206°C/W
LFCSP Package	
$\theta_{JA}$ Thermal Impedance (2-layer board)	84°C/W
$\theta_{JA}$ Thermal Impedance (4-layer board)	48°C/W
Lead Temperature, Soldering (10 sec)	300°C
IR Reflow, Peak Temperature (<20 sec)	235°C
ESD	1 kV

<sup>1</sup>RF1 and RF2 off port inputs to ground: -0.5 V to  $V_{DD} - 0.5\text{ V}$ .

Stresses above those listed under Absolute Maximum Ratings may cause permanent damage to the device. This is a stress rating only; functional operation of the device at these or any other conditions above those indicated in the operational section of this specification is not implied. Exposure to absolute maximum rating conditions for extended periods may affect device reliability.

### ESD CAUTION



**ESD (electrostatic discharge) sensitive device.** Charged devices and circuit boards can discharge without detection. Although this product features patented or proprietary protection circuitry, damage may occur on devices subjected to high energy ESD. Therefore, proper ESD precautions should be taken to avoid performance degradation or loss of functionality.

# ADG918/ADG919

## PIN CONFIGURATION AND FUNCTION DESCRIPTIONS



Figure 4. 8-Lead MSOP (RM-8) and 8-Lead 3 mm x 3 mm LFCSP (CP-8); Exposed Pad Tied to Substrate, GND

Table 3. Pin Function Descriptions

Pin No.	Mnemonic	Function
1	V <sub>DD</sub>	Power Supply Input. These parts can be operated from 1.65 V to 2.75 V, and V <sub>DD</sub> should be decoupled to GND.
2	CTRL	Logic Control Input. See Table 4.
3, 6, 7	GND	Ground Reference Point for All Circuitry on the Part.
4	RFC	COMMON RF Port for Switch.
5	RF2	RF2 Port.
8	RF1	RF1 Port.

Table 4. Truth Table

CTRL	Signal Path
0	RF2 to RFC
1	RF1 to RFC

# TYPICAL PERFORMANCE CHARACTERISTICS



Figure 5. Insertion Loss vs. Frequency over Supplies (RF1/RF2, S12, and S21)



Figure 8. Insertion Loss vs. Frequency over Temperature (RF1/RF2, S12, and S21)



Figure 6. Insertion Loss vs. Frequency over Supplies (RF1/RF2, S12, and S21) (Zoomed Figure 5 Plot)

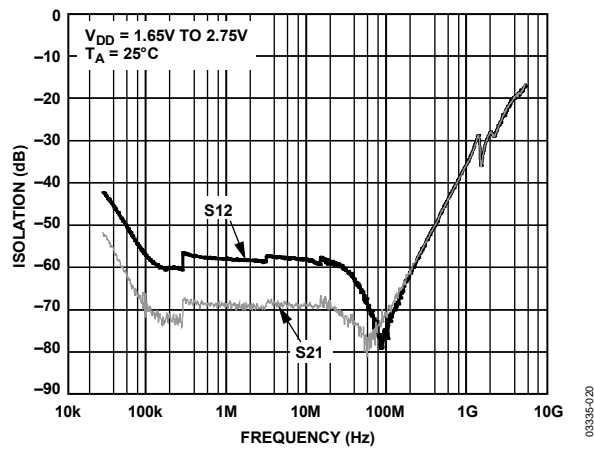


Figure 9. Isolation vs. Frequency over Supplies (RF1/RF2, ADG918)

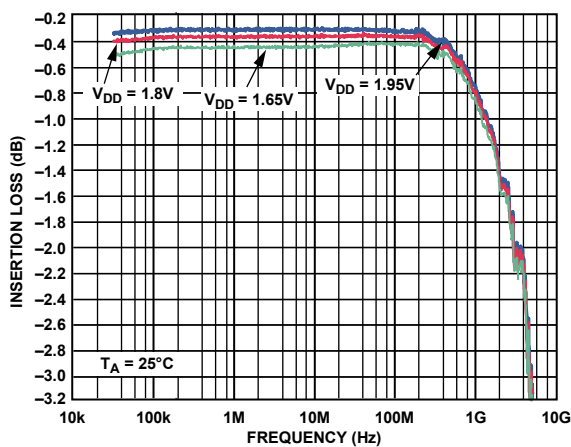


Figure 7. Insertion Loss vs. Frequency over Supplies (RF1/RF2, S12, and S21)



Figure 10. Isolation vs. Frequency over Supplies (RF1/RF2, ADG919)

# ADG918/ADG919



03335-023

Figure 11. Isolation vs. Frequency over Temperature (RF1/RF2, ADG919)



03335-024

Figure 14. Switch Timing



03335-026

Figure 12. Return Loss vs. Frequency (RF1/RF2, S11)



03335-027

Figure 15. Video Feedthrough



03335-028

Figure 13. Crosstalk vs. Frequency (RF1/RF2, S12, S21)



03335-029

Figure 16. IP3 vs. Frequency





Figure 17. P-1 dB vs. Frequency

## TERMINOLOGY

**V<sub>DD</sub>**

Most positive power supply potential.

**I<sub>DD</sub>**

Positive supply current.

**GND**

Ground (0 V) reference.

**CTRL**

Logic control input.

**V<sub>INL</sub>**

Maximum input voltage for Logic 0.

**V<sub>INH</sub>**

Minimum input voltage for Logic 1.

**I<sub>INL</sub> (I<sub>INH</sub>)**

Input current of the digital input.

**C<sub>IN</sub>**

Digital input capacitance.

**t<sub>ON</sub>**

Delay between applying the digital control input and the output switching on.

**t<sub>OFF</sub>**

Delay between applying the digital control input and the output switching off.

**t<sub>RISE</sub>**

Rise time; time for the RF signal to rise from 10% to 90% of the on level.

**t<sub>FALL</sub>**

Fall time; time for the RF signal to fall from 90% to 10% of the on level.

### **Off Isolation**

The attenuation between the input and output ports of the switch when the switch control voltage is in the off condition.

### **Insertion Loss**

The attenuation between the input and output ports of the switch when the switch control voltage is in the on condition.

**P<sub>-1 dB</sub>**

1 dB compression point. The RF input power level at which the switch insertion loss increases by 1 dB over its low level value. It is a measure of how much power the on switch can handle before the insertion loss increases by 1 dB.

**IP<sub>3</sub>**

Third order intermodulation intercept. This is a measure of the power in false tones that occur when closely spaced tones are passed through a switch, whereby the nonlinearity of the switch causes these false tones to be generated.

### **Return Loss**

The amount of reflected power relative to the incident power at a port. Large return loss indicates good matching. By measuring return loss, the VSWR (voltage standing wave ratio) can be calculated from conversion charts. VSWR indicates the degree of matching present at a switch RF port.

### **Video Feedthrough**

Spurious signals present at the RF ports of the switch when the control voltage is switched from high to low or low to high without an RF signal present.

# TEST CIRCUITS

Setups for the ADG918 are similar.

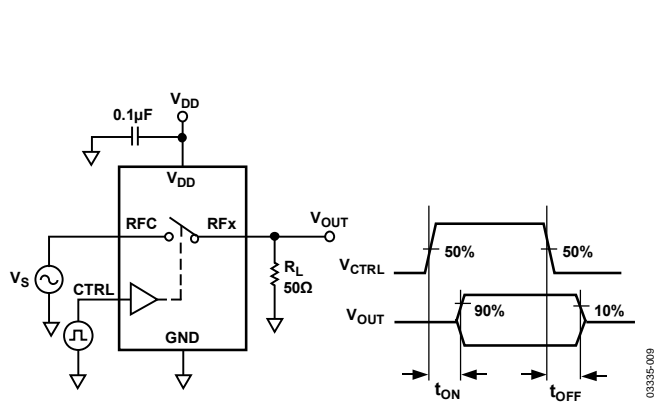


Figure 18. Switch Timing:  $t_{ON}$ ,  $t_{OFF}$



Figure 21. Insertion Loss

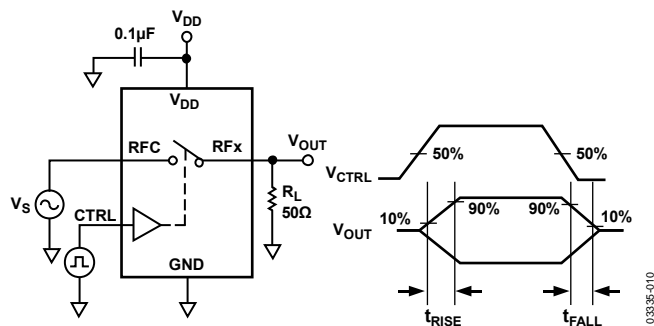


Figure 19. Switch

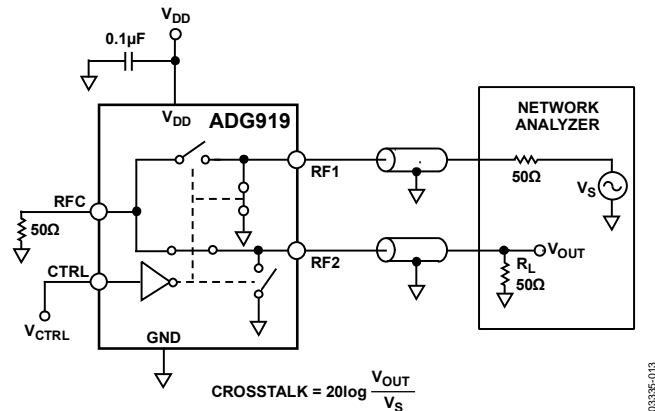


Figure 22. Crosstalk

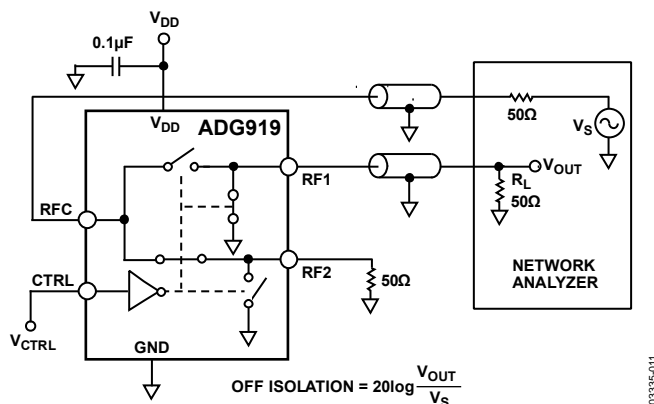


Figure 20. Off Isolation

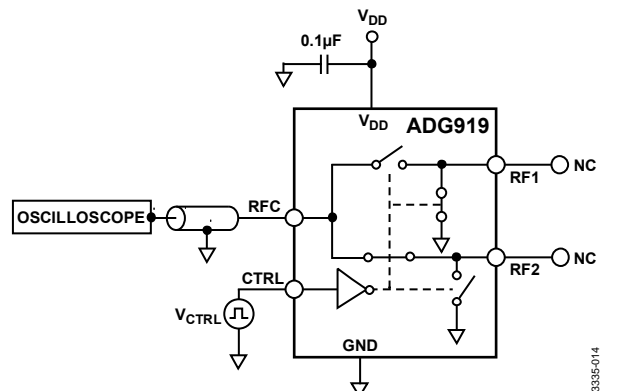


Figure 23. Video Feedthrough

# ADG918/ADG919



Figure 24.  $IP_3$



Figure 25.  $P_{-1\text{ dB}}$

## APPLICATIONS INFORMATION

The ADG918/ADG919 are ideal solutions for low power, high frequency applications. The low insertion loss, high isolation between ports, low distortion, and low current consumption of these parts make them excellent solutions for many high frequency switching applications. The most obvious application is in a transmit/receive block, as shown in the wireless metering block diagram in Figure 26.

Other applications include switching between high frequency filters, an ASK generator, an FSK generator, and an antenna diversity switch in many tuner modules.

### ABSORPTIVE VS. REFLECTIVE SWITCH

The ADG918 is an absorptive (matched) switch with 50  $\Omega$  terminated shunt legs, and the ADG919 is a reflective switch with 0  $\Omega$  terminated shunts to ground. The ADG918 absorptive switch has a good VSWR on each port, regardless of the switch mode. An absorptive switch should be used when there is a need for a good VSWR that is looking into the port but not passing the through signal to the common port. The ADG918 is therefore ideal for applications that require minimum reflections back to the RF source. It also ensures that the maximum power is transferred to the load.

The ADG919 reflective switch is suitable for applications where high off port VSWR does not matter and the switch has some other desired performance feature. It can be used in many applications, including high speed filter selection. In most cases, an absorptive switch can be used instead of a reflective switch, but not vice versa.

### WIRELESS METERING

The ADG918 can be used in wireless metering applications. It can be used in conjunction with the ADF7020 transceiver IC for

a utility metering transceiver application, providing the required isolation between the transmit and receive signals. The SPDT configuration isolates the high frequency receive signal from the high frequency transmit.



Figure 26. Wireless Metering

### TUNER MODULES

The ADG918 can be used in a tuner module to switch between the cable TV input and the off-air antenna. This part is also ideal for use as an antenna diversity switch, switching different antenna to the tuner.



Figure 27. Tuner Modules

### FILTER SELECTION

The ADG919 can be used as a 2:1 demultiplex to switch high frequency signals between different filters and also to multiplex the signal to the output.



Figure 28. Filter Selection

## ADG9xx EVALUATION BOARD

The ADG9xx evaluation board allows designers to evaluate the high performance wideband switches with a minimum of effort.

In addition to the evaluation board, the user requires only a power supply and a network analyzer. An application note is available with the evaluation board and gives complete information about operating the evaluation board.

The RFC port (see Figure 29) is connected through a  $50\ \Omega$  transmission line to the top left SMA connector J1. RF1 and RF2 are connected through  $50\ \Omega$  transmission lines to the top two SMA connectors, J2 and J3 respectively. A through transmission line connects J4 and J5 and is used to estimate the loss of the PCB over the environmental conditions being evaluated.

The board is constructed of a 4-layer, FR4 material with a dielectric constant of 4.3 and an overall thickness of 0.062 inches. Two ground layers with grounded planes provide ground for the RF transmission lines. The transmission lines were designed using a coplanar waveguide with ground plane model using a trace width of 0.052 inches, a clearance to ground plane of 0.030 inches, a dielectric thickness of 0.029 inches, and a metal thickness of 0.014 inches.



Figure 29. ADG9xx Evaluation Board Top View

# OUTLINE DIMENSIONS



COMPLIANT TO JEDEC STANDARDS MO-187-AA

Figure 30. 8-Lead Mini Small Outline Package [MSOP] (RM-8)

Dimensions shown in millimeters

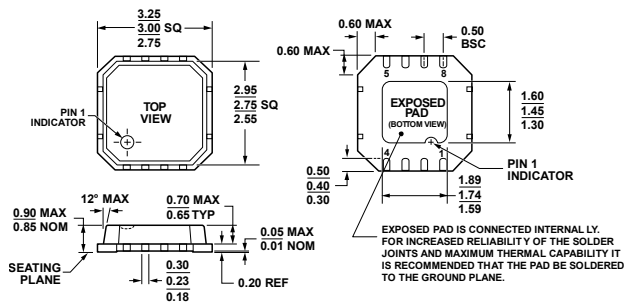


Figure 31. 8-Lead Lead Frame Chip Scale Package [LFCSF\_VD] 3 mm x 3 mm Body, Very Thin, Dual Lead (CP-8-2)

Dimensions shown in millimeters

# ADG918/ADG919

## ORDERING GUIDE

Model	Temperature Range	Package Description	Package Option	Branding
ADG918BRM	-40°C to +85°C	8-Lead Mini Small Outline Package (MSOP)	RM-8	W4B
ADG918BRM-500RL7	-40°C to +85°C	8-Lead Mini Small Outline Package (MSOP)	RM-8	W4B
ADG918BRM-REEL	-40°C to +85°C	8-Lead Mini Small Outline Package (MSOP)	RM-8	W4B
ADG918BRM-REEL7	-40°C to +85°C	8-Lead Mini Small Outline Package (MSOP)	RM-8	W4B
ADG918BRMZ <sup>1</sup>	-40°C to +85°C	8-Lead Mini Small Outline Package (MSOP)	RM-8	W4B#
ADG918BRMZ-500RL7 <sup>1</sup>	-40°C to +85°C	8-Lead Mini Small Outline Package (MSOP)	RM-8	W4B#
ADG918BRMZ-REEL <sup>1</sup>	-40°C to +85°C	8-Lead Mini Small Outline Package (MSOP)	RM-8	W4B#
ADG918BRMZ-REEL7 <sup>1</sup>	-40°C to +85°C	8-Lead Mini Small Outline Package (MSOP)	RM-8	W4B#
ADG918BCP-500RL7	-40°C to +85°C	8-Lead Lead Frame Chip Scale Package (LFCSP_VD)	CP-8-2	W4B
ADG918BCP-REEL7	-40°C to +85°C	8-Lead Lead Frame Chip Scale Package (LFCSP_VD)	CP-8-2	W4B
ADG918BCPZ-500RL7 <sup>1</sup>	-40°C to +85°C	8-Lead Lead Frame Chip Scale Package (LFCSP_VD)	CP-8-2	W4B#
ADG918BCPZ-REEL7 <sup>1</sup>	-40°C to +85°C	8-Lead Lead Frame Chip Scale Package (LFCSP_VD)	CP-8-2	W4B#
ADG919BRM	-40°C to +85°C	8-Lead Mini Small Outline Package (MSOP)	RM-8	W5B
ADG919BRM-500RL7	-40°C to +85°C	8-Lead Mini Small Outline Package (MSOP)	RM-8	W5B
ADG919BRM-REEL	-40°C to +85°C	8-Lead Mini Small Outline Package (MSOP)	RM-8	W5B
ADG919BRM-REEL7	-40°C to +85°C	8-Lead Mini Small Outline Package (MSOP)	RM-8	W5B
ADG919BRMZ <sup>1</sup>	-40°C to +85°C	8-Lead Mini Small Outline Package (MSOP)	RM-8	S1X
ADG919BRMZ-REEL <sup>1</sup>	-40°C to +85°C	8-Lead Mini Small Outline Package (MSOP)	RM-8	S1X
ADG919BRMZ-REEL7 <sup>1</sup>	-40°C to +85°C	8-Lead Mini Small Outline Package (MSOP)	RM-8	S1X
ADG919BCP-500RL7	-40°C to +85°C	8-Lead Lead Frame Chip Scale Package (LFCSP_VD)	CP-8-2	W5B
ADG919BCP-REEL7	-40°C to +85°C	8-Lead Lead Frame Chip Scale Package (LFCSP_VD)	CP-8-2	W5B
ADG919BCPZ-REEL7 <sup>1</sup>	-40°C to +85°C	8-Lead Lead Frame Chip Scale Package (LFCSP_VD)	CP-8-2	S1X
EVAL-ADG918EBZ <sup>1</sup>		Evaluation Board		
EVAL-ADG919EBZ <sup>1</sup>		Evaluation Board		

<sup>1</sup> Z = RoHS Compliant Part, # denotes RoHS compliant product, may be top or bottom marked.



Компания «Life Electronics» занимается поставками электронных компонентов импортного и отечественного производства от производителей и со складов крупных дистрибьюторов Европы, Америки и Азии.

С конца 2013 года компания активно расширяет линейку поставок компонентов по направлению коаксиальный кабель, кварцевые генераторы и конденсаторы (керамические, пленочные, электролитические), за счёт заключения дистрибьюторских договоров

Мы предлагаем:

- Конкурентоспособные цены и скидки постоянным клиентам.
- Специальные условия для постоянных клиентов.
- Подбор аналогов.
- Поставку компонентов в любых объемах, удовлетворяющих вашим потребностям.
- Приемлемые сроки поставки, возможна ускоренная поставка.
- Доставку товара в любую точку России и стран СНГ.
- Комплексную поставку.
- Работу по проектам и поставку образцов.
- Формирование склада под заказчика.
- Сертификаты соответствия на поставляемую продукцию (по желанию клиента).
- Тестирование поставляемой продукции.
- Поставку компонентов, требующих военную и космическую приемку.
- Входной контроль качества.
- Наличие сертификата ISO.

В составе нашей компании организован Конструкторский отдел, призванный помогать разработчикам, и инженерам.

Конструкторский отдел помогает осуществить:

- Регистрацию проекта у производителя компонентов.
- Техническую поддержку проекта.
- Защиту от снятия компонента с производства.
- Оценку стоимости проекта по компонентам.
- Изготовление тестовой платы монтаж и пусконаладочные работы.



Тел: +7 (812) 336 43 04 (многоканальный)

Email: [org@lifeelectronics.ru](mailto:org@lifeelectronics.ru)