

3x3 Shielded Drum Inductor

SMD Shielded Drum Core



Product Features:

- Inductance Values from 1.5uH to 47uH
- RoHS Compliant/Lead-Free
- Operating Temp Range -20 to +85°C
- Low Profile

| Part Number | Inductance (μ H) | Tolerance | Test Freq. (kHz) | Rdc (Ω Max) | Idc* (A Max) | Max Ht. (mm) |
|----------------|--------------------------|-----------|---------------------|------------------------|-----------------|-----------------|
| HDS2D11-1R5NTR | 1.5 | 30% | 100 | 0.095 | 0.90 | 1.3 |
| HDS2D14-1R5NTR | 1.5 | 30% | 100 | 0.063 | 1.80 | 1.6 |
| HDS2D11-2R2NTR | 2.2 | 30% | 100 | 0.125 | 0.64 | 1.3 |
| HDS2D14-2R2NTR | 2.2 | 30% | 100 | 0.094 | 1.50 | 1.6 |
| HDS2D11-3R3NTR | 3.3 | 30% | 100 | 0.160 | 0.60 | 1.3 |
| HDS2D14-3R3NTR | 3.3 | 30% | 100 | 0.125 | 1.20 | 1.6 |
| HDS2D11-4R7NTR | 4.7 | 30% | 100 | 0.216 | 0.50 | 1.3 |
| HDS2D14-4R7NTR | 4.7 | 30% | 100 | 0.169 | 1.00 | 1.6 |
| HDS2D11-6R8NTR | 6.8 | 30% | 100 | 0.304 | 0.40 | 1.3 |
| HDS2D14-6R8NTR | 6.8 | 30% | 100 | 0.213 | 0.85 | 1.6 |
| HDS2D11-100NTR | 10 | 30% | 100 | 0.470 | 0.34 | 1.3 |
| HDS2D14-100NTR | 10 | 30% | 100 | 0.294 | 0.70 | 1.6 |
| HDS2D11-150NTR | 15 | 30% | 100 | 0.610 | 0.24 | 1.3 |
| HDS2D18-150NTR | 15 | 30% | 100 | 0.257 | 0.35 | 2.0 |
| HDS2D11-220NTR | 22 | 30% | 100 | 1.050 | 0.22 | 1.3 |
| HDS2D18-220NTR | 22 | 30% | 100 | 0.331 | 0.30 | 2.0 |
| HDS2D11-330NTR | 33 | 30% | 100 | 1.460 | 0.21 | 1.3 |
| HDS2D18-330NTR | 33 | 30% | 100 | 0.481 | 0.23 | 2.0 |
| HDS2D11-470NTR | 47 | 30% | 100 | 2.250 | 0.20 | 1.3 |

* Maximum rated current determined by a temp rise of 40°C or an inductance drop of 35%, whichever is less

Notes:

- 1) Tighter tolerances available
- 2) Contact your local representative or the factory for samples and specific datasheets

5x5 Shielded Drum Inductor

SMD Shielded Drum Core

HALO
ELECTRONICS, INC.



Product Features:

- Inductance Values from 1.0uH to 33uH
- RoHS Compliant/Lead-Free
- Operating Temp Range -20 to +85°C
- Low Profile

| Part Number | Inductance (μ H) | Tolerance | Test Freq. (kHz) | Rdc (Ω Max) | Idc* (A Max) | Max Ht. (mm) |
|----------------|--------------------------|-----------|---------------------|------------------------|-----------------|-----------------|
| HDS4D18-1R0NTR | 1.0 | 30% | 100 | 0.045 | 1.72 | 2.0 |
| HDS4D18-2R2NTR | 2.2 | 30% | 100 | 0.075 | 1.32 | 2.0 |
| HDS4D28-2R2NTR | 2.2 | 30% | 100 | 0.032 | 2.04 | 3.0 |
| HDS4D18-3R3NTR | 3.3 | 30% | 100 | 0.110 | 1.04 | 2.0 |
| HDS4D28-3R3NTR | 3.3 | 30% | 100 | 0.050 | 1.57 | 3.0 |
| HDS4D18-4R7NTR | 4.7 | 30% | 100 | 0.152 | 0.84 | 2.0 |
| HDS4D28-4R7NTR | 4.7 | 30% | 100 | 0.072 | 1.32 | 3.0 |
| HDS4D18-6R8NTR | 6.8 | 30% | 100 | 0.170 | 0.76 | 2.0 |
| HDS4D28-6R8NTR | 6.8 | 30% | 100 | 0.109 | 1.12 | 3.0 |
| HDS4D18-100NTR | 10 | 30% | 100 | 0.200 | 0.61 | 2.0 |
| HDS4D28-100NTR | 10 | 30% | 100 | 0.129 | 1.00 | 3.0 |
| HDS4D18-150NTR | 15 | 30% | 100 | 0.240 | 0.50 | 2.0 |
| HDS4D28-150NTR | 15 | 30% | 100 | 0.150 | 0.76 | 3.0 |
| HDS4D18-220NTR | 22 | 30% | 100 | 0.397 | 0.41 | 2.0 |
| HDS4D28-220NTR | 22 | 30% | 100 | 0.235 | 0.70 | 3.0 |
| HDS2D18-330NTR | 33 | 30% | 100 | 0.694 | 0.32 | 2.0 |
| HDS4D28-330NTR | 33 | 30% | 100 | 0.378 | 0.56 | 3.0 |

* Maximum rated current determined by a temp rise of 40°C or an inductance drop of 35%, whichever is less

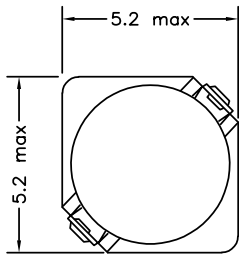
Notes:

- 1) Tighter tolerances available
- 2) Contact your local representative or the factory for samples and specific datasheets

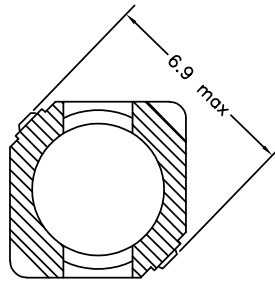
HALO Shielded Drum Core

Mechanical

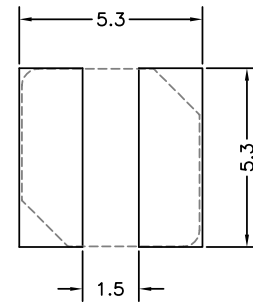
Top View



Bottom View



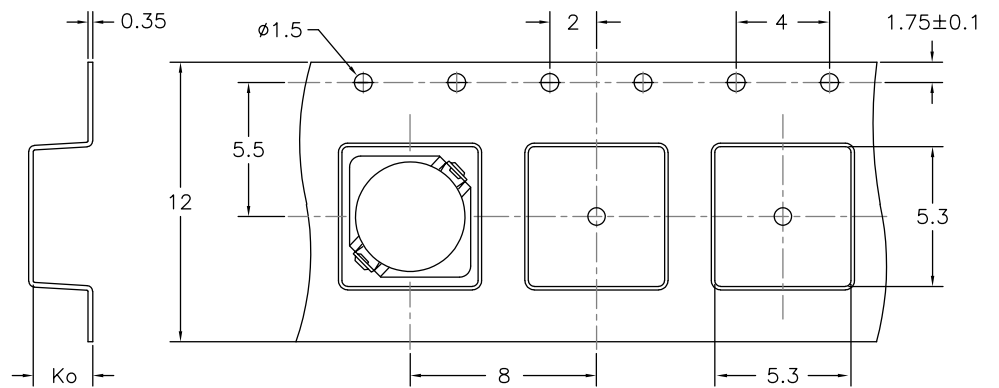
Dimensions: mm



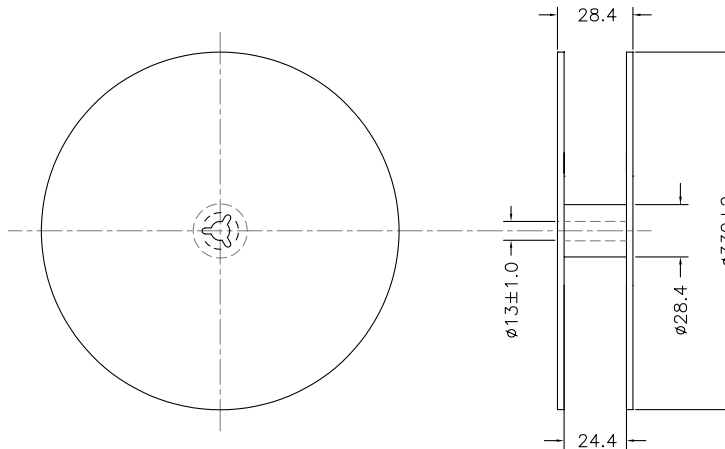
Recommended Solder Pad Dimensions

Packaging

HDS4D18 Ko = 2.3mm, 2500/reel
HDS4D28 Ko = 3.3mm, 2000/reel



FEED DIRECTION



6x6 Shielded Drum Inductor

SMD Shielded Drum Core



Product Features:

- Inductance Values from 3.3uH to 100uH
- RoHS Compliant/Lead-Free
- Operating Temp Range -20 to +85°C
- Low Profile

| Part Number | Inductance (μ H) | Tolerance | Test Freq. (kHz) | Rdc (Ω Max) | Idc* (A Max) | Max Ht. (mm) |
|----------------|--------------------------|-----------|---------------------|------------------------|-----------------|-----------------|
| HDS5D18-3R3NTR | 3.3 | 30% | 100 | 0.050 | 2.15 | 2.0 |
| HDS5D18-6R2NTR | 6.2 | 30% | 100 | 0.096 | 1.40 | 2.0 |
| HDS5D28-6R2NTR | 6.2 | 30% | 100 | 0.045 | 1.80 | 3.0 |
| HDS5D18-100NTR | 10 | 30% | 100 | 0.124 | 1.20 | 2.0 |
| HDS5D28-100NTR | 10 | 30% | 100 | 0.065 | 1.30 | 3.0 |
| HDS5D18-150NTR | 15 | 30% | 100 | 0.196 | 0.97 | 2.0 |
| HDS5D28-150NTR | 15 | 30% | 100 | 0.103 | 1.10 | 3.0 |
| HDS5D18-220NTR | 22 | 30% | 100 | 0.290 | 0.80 | 2.0 |
| HDS5D28-220NTR | 22 | 30% | 100 | 0.122 | 0.90 | 3.0 |
| HDS5D18-330NTR | 33 | 30% | 100 | 0.386 | 0.65 | 2.0 |
| HDS5D28-330NTR | 33 | 30% | 100 | 0.189 | 0.75 | 3.0 |
| HDS5D18-470NTR | 47 | 30% | 100 | 0.595 | 0.54 | 2.0 |
| HDS5D28-470NTR | 47 | 30% | 100 | 0.260 | 0.62 | 3.0 |
| HDS5D18-680NTR | 68 | 30% | 100 | 0.840 | 0.43 | 2.0 |
| HDS5D28-680NTR | 68 | 30% | 100 | 0.355 | 0.52 | 3.0 |
| HDS5D18-101NTR | 100 | 30% | 100 | 1.200 | 0.36 | 2.0 |
| HDS5D28-101NTR | 100 | 30% | 100 | 0.520 | 0.42 | 3.0 |

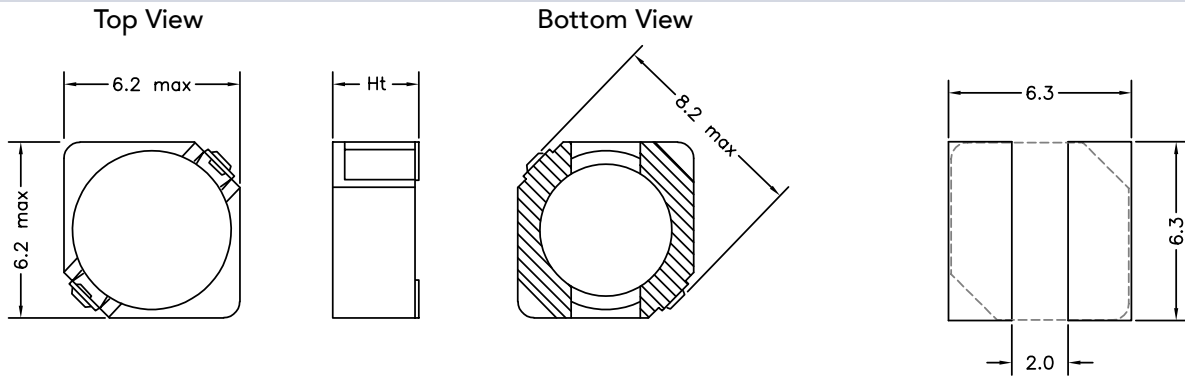
* Maximum rated current determined by a temp rise of 40°C or an inductance drop of 35%, whichever is less

Notes:

- 1) Tighter tolerances available
- 2) Contact your local representative or the factory for samples and specific datasheets

HALO Shielded Drum Inductor

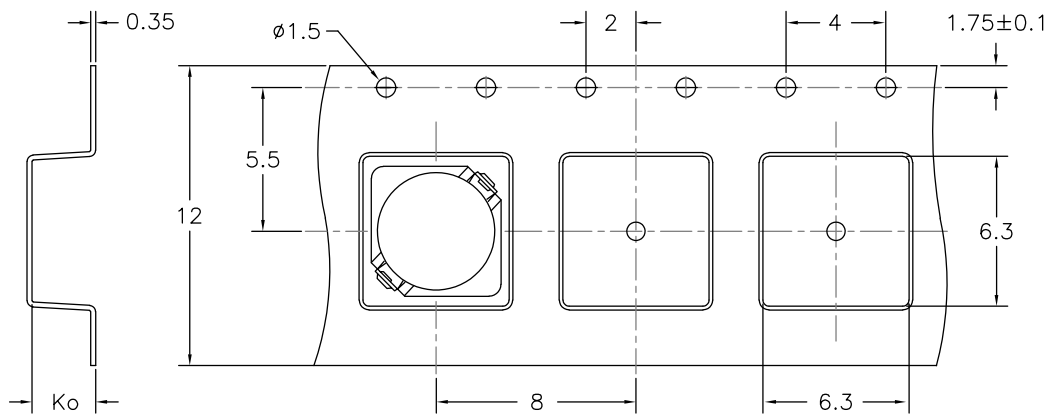
Mechanical



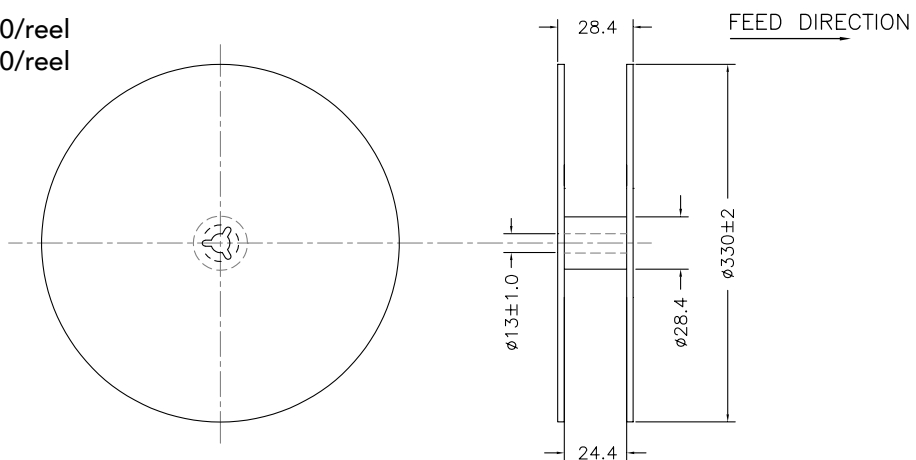
Dimensions: mm

Recommended Solder Pad Dimensions

Packaging



HDS5D18 Ko = 2.3mm, 2500/reel
HDS5D28 Ko = 3.3mm, 2000/reel



12.5x12.5 Shielded Drum Inductor

SMD Shielded Drum Core



Product Features:

- Inductance Values from 3.1uH to 3000uH
- RoHS Compliant/Lead-Free
- Operating Temp Range -20 to +105°C
- Low Profile

| Part Number | Inductance (μH) | Tolerance | Test Freq. (kHz) | Rdc (Ω Max) | Idc* (A Max) | Max Ht. (mm) |
|---------------|-----------------|-----------|------------------|-------------|--------------|--------------|
| HDS124-100MTR | 10 | 20% | 100 | 0.05 | 4.50 | 4.5 |
| HDS125-100MTR | 10 | 20% | 1 | 0.03 | 5.00 | 6.5 |
| HDS129-100MTR | 10 | 20% | 1 | 0.03 | 6.10 | 10.0 |
| HDS124-220MTR | 22 | 20% | 100 | 0.07 | 2.90 | 4.5 |
| HDS125-220MTR | 22 | 20% | 1 | 0.04 | 3.60 | 6.5 |
| HDS129-220MTR | 22 | 20% | 1 | 0.05 | 3.92 | 10.0 |
| HDS124-470MTR | 47 | 20% | 100 | 0.16 | 1.90 | 4.5 |
| HDS125-470MTR | 47 | 20% | 1 | 0.09 | 2.30 | 6.5 |
| HDS129-470MTR | 47 | 20% | 1 | 0.10 | 2.92 | 10.0 |
| HDS124-680MTR | 68 | 20% | 100 | 0.22 | 1.50 | 4.5 |
| HDS125-680MTR | 68 | 20% | 1 | 0.12 | 1.90 | 6.5 |
| HDS129-680MTR | 68 | 20% | 1 | 0.14 | 2.40 | 10.0 |
| HDS124-101MTR | 100 | 20% | 100 | 0.31 | 1.20 | 4.5 |
| HDS125-101MTR | 100 | 20% | 1 | 0.16 | 1.50 | 6.5 |
| HDS129-101MTR | 100 | 20% | 1 | 0.22 | 1.94 | 10.0 |
| HDS124-221MTR | 220 | 20% | 100 | 0.70 | 0.80 | 4.5 |
| HDS125-221MTR | 220 | 20% | 1 | 0.40 | 0.95 | 6.5 |
| HDS129-221MTR | 220 | 20% | 1 | 0.39 | 1.25 | 10.0 |
| HDS125-471MTR | 470 | 20% | 1 | 0.77 | 0.58 | 6.5 |
| HDS129-471MTR | 470 | 20% | 1 | 0.98 | 0.89 | 10.0 |
| HDS125-681MTR | 680 | 20% | 1 | 1.20 | 0.48 | 6.5 |
| HDS129-681MTR | 680 | 20% | 1 | 1.46 | 0.75 | 10.0 |
| HDS125-102MTR | 1000 | 20% | 1 | 1.58 | 0.40 | 6.5 |
| HDS129-102MTR | 1000 | 20% | 1 | 1.53 | 0.61 | 10.0 |

* Maximum rated current determined by a 35% (typ) drop in inductance

Notes:

- 1) Tighter tolerances available
- 2) Contact your local representative or the factory for samples and specific datasheets

For additional information contact your [local representative](#), or HALO's support staff at (650) 903-3800 or info@haloelectronics.com

Компания «Life Electronics» занимается поставками электронных компонентов импортного и отечественного производства от производителей и со складов крупных дистрибьюторов Европы, Америки и Азии.

С конца 2013 года компания активно расширяет линейку поставок компонентов по направлению коаксиальный кабель, кварцевые генераторы и конденсаторы (керамические, пленочные, электролитические), за счёт заключения дистрибьюторских договоров

Мы предлагаем:

- Конкурентоспособные цены и скидки постоянным клиентам.
- Специальные условия для постоянных клиентов.
- Подбор аналогов.
- Поставку компонентов в любых объемах, удовлетворяющих вашим потребностям.
- Приемлемые сроки поставки, возможна ускоренная поставка.
- Доставку товара в любую точку России и стран СНГ.
- Комплексную поставку.
- Работу по проектам и поставку образцов.
- Формирование склада под заказчика.
- Сертификаты соответствия на поставляемую продукцию (по желанию клиента).
- Тестирование поставляемой продукции.
- Поставку компонентов, требующих военную и космическую приемку.
- Входной контроль качества.
- Наличие сертификата ISO.

В составе нашей компании организован Конструкторский отдел, призванный помогать разработчикам, и инженерам.

Конструкторский отдел помогает осуществить:

- Регистрацию проекта у производителя компонентов.
- Техническую поддержку проекта.
- Защиту от снятия компонента с производства.
- Оценку стоимости проекта по компонентам.
- Изготовление тестовой платы монтаж и пусконаладочные работы.



Тел: +7 (812) 336 43 04 (многоканальный)
Email: org@lifeelectronics.ru