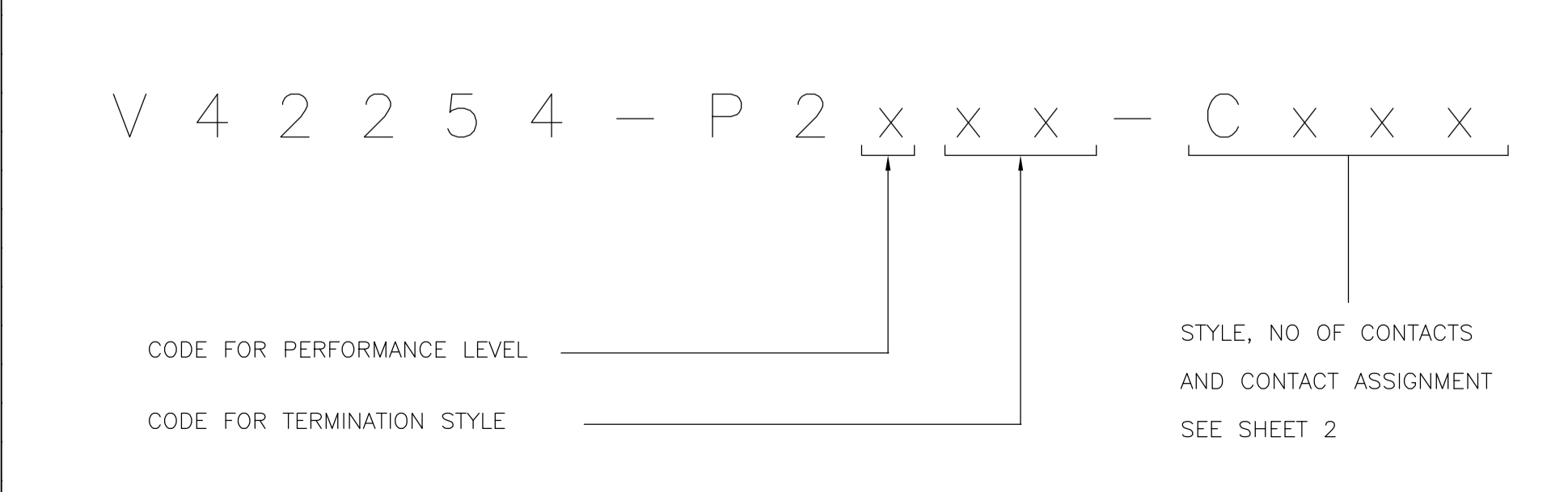
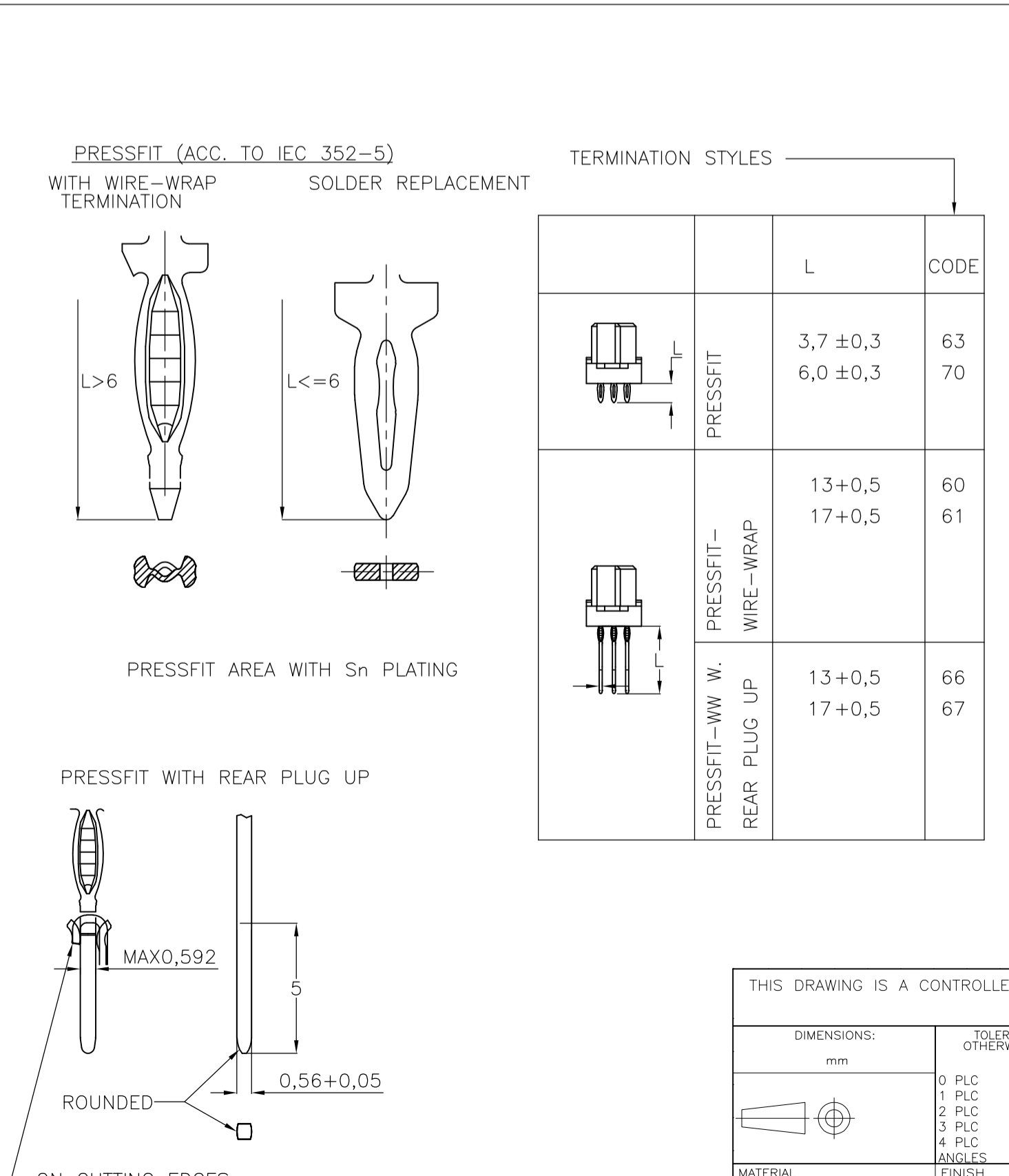
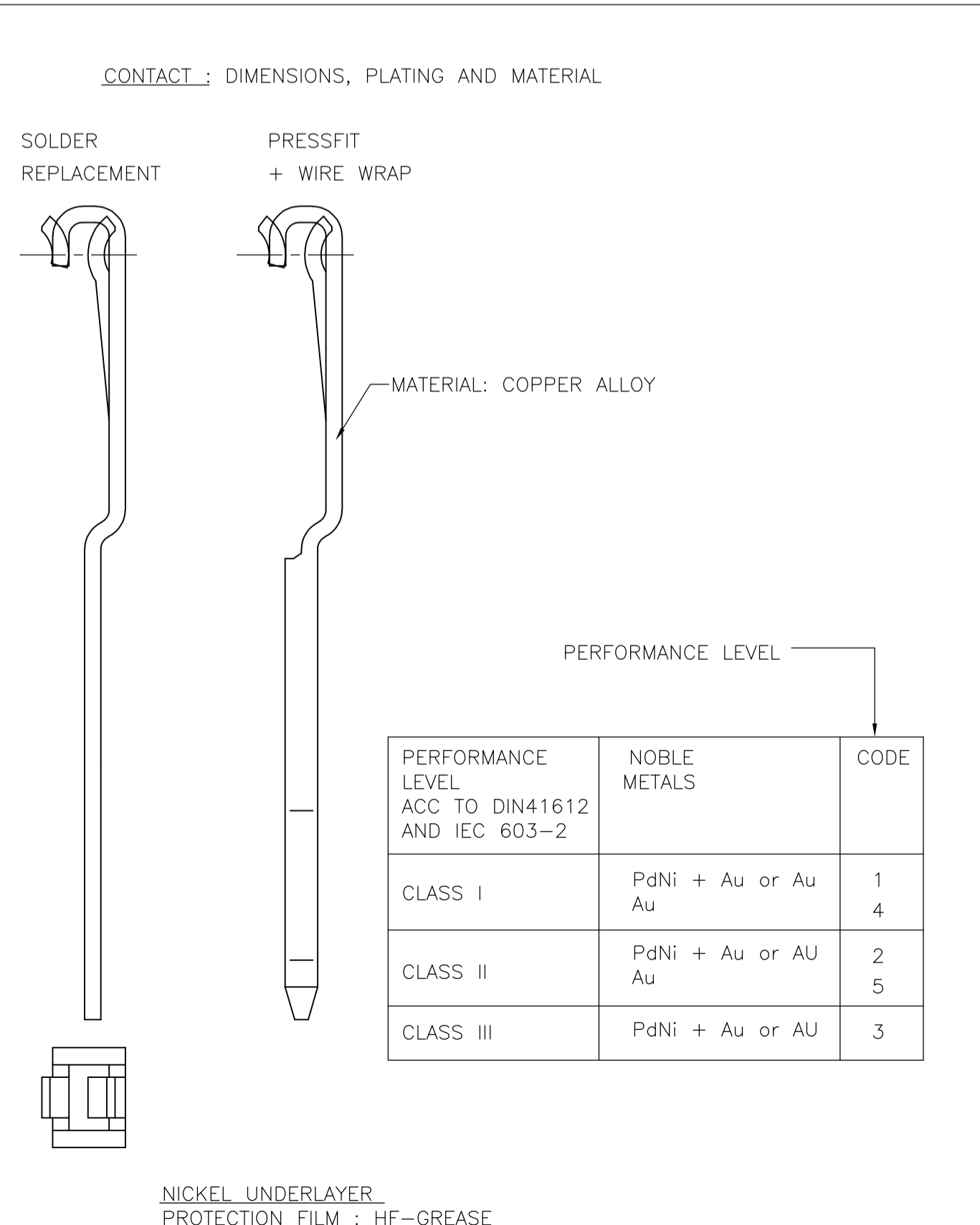
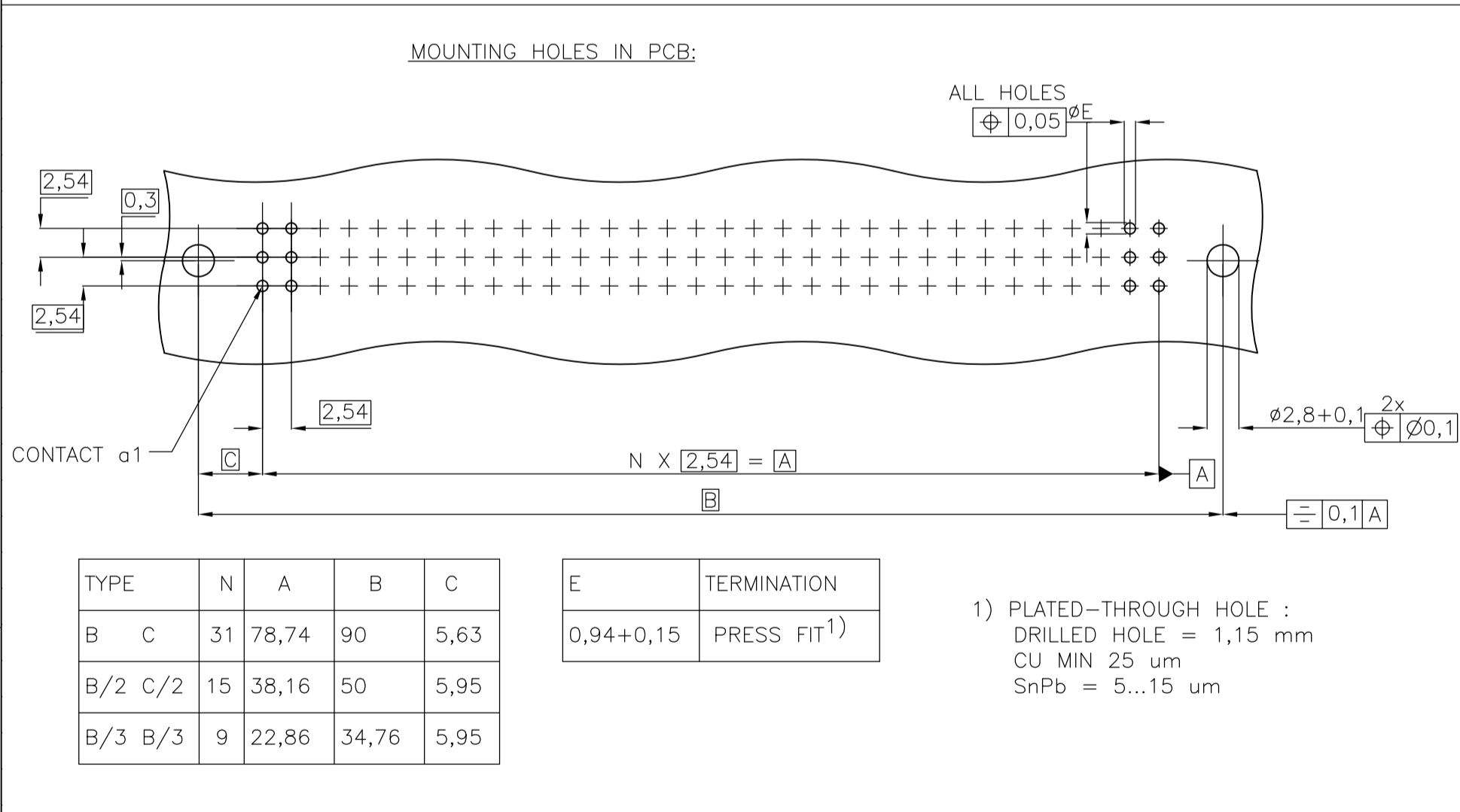
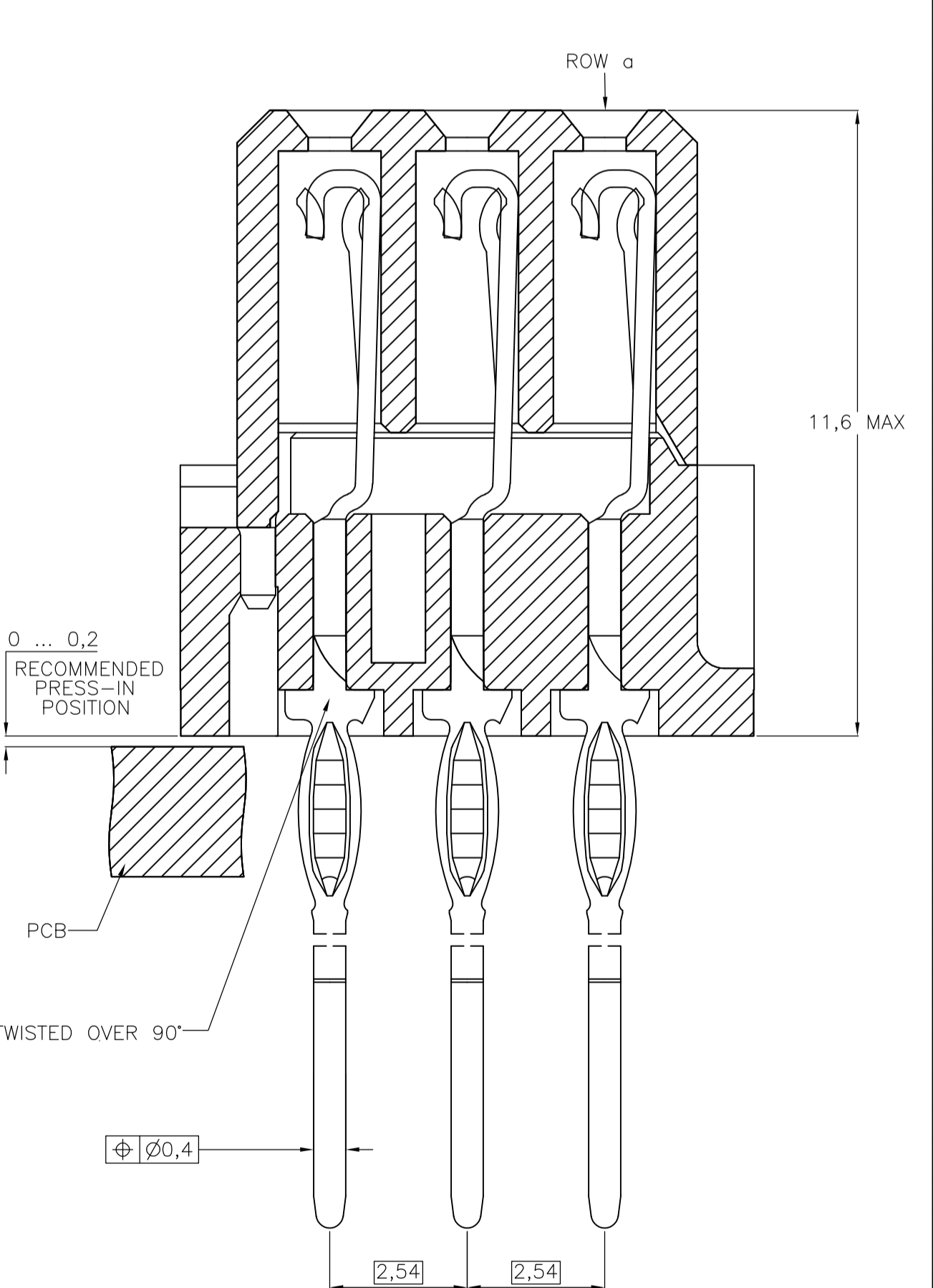
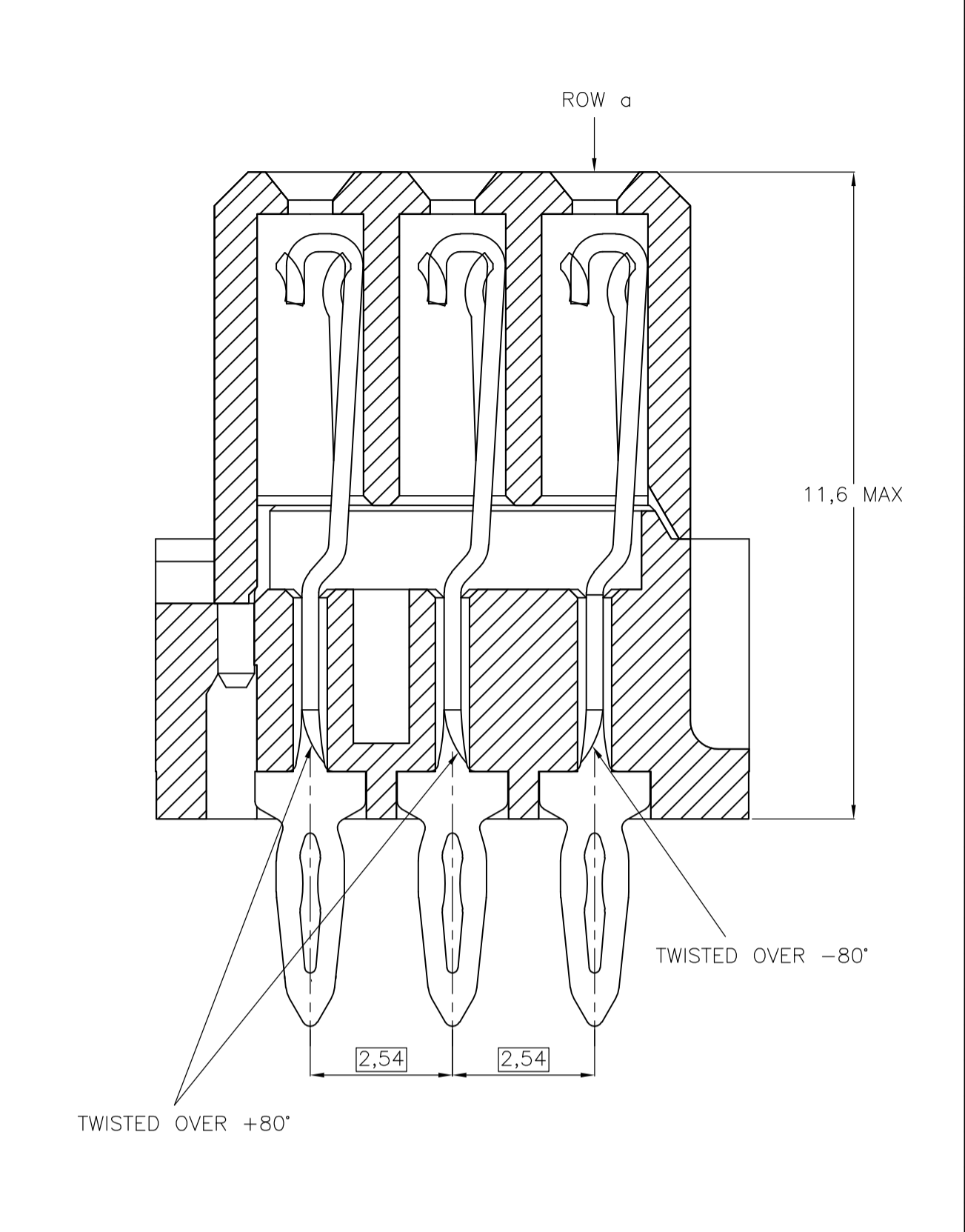


REV	DATE	BY	CHK	APPV	DESCRIPTION
D4	18-03-09	AEG	MKO		ECR-08-012252
D5	01JUN10	RK	MKO		ECR-10-002555
D6	13SEP11	RK	MKO		ECR-10-004503



THIS DRAWING IS A CONTROLLED DOCUMENT.

STE TE Connectivity

RECEPTACLE ASSEMBLY EUROCARD PRESS FIT, TYPES B,C AND SHORT VERSIONS (PN:V42254-P2\*\*\*-C\*\*\*-7626)

SIZE: A1 CAGE CODE: 00779 DRAWING NO: 1393637-7

CUSTOMER DRAWING SCALE: NTS SHEET: 1 OF 2 REV: D6

OLD PART NUMBER	TE PIN	STYLE & NUMBER OF POSITIONS	TERMINATION POSTS	LOADED ROWS	PERFORMANCE LEVEL	BOARD LOCKS	
V42254-P2163-C483	1393637-6	C48	3,7mm PRESS-IN TERMINALS	ROW A+C , EVERY PITCH	1	NO	
V42254-P2163-C960	1393637-7	C96	3,7mm PRESS-IN TERMINALS	EVERY ROW , EVERY PITCH	1	NO	SUPERSEDED BY 4-1393637-6
V42254-P2163-C963	1393637-9	C96	3,7mm PRESS-IN TERMINALS	ROW A+C , EVERY PITCH	1	NO	OBSOLETE
V42254-P2167-C960	1-1393637-0	C96	17mm PRESS-IN TERMINALS WITH WIRE-WRAP AND INSERTION AREA LEVEL 2	EVERY ROW , EVERY PITCH	1	NO	SUPERSEDED BY 7-1393637-3
V42254-P2170-C960	1-1393637-2	C96	6,0mm PRESS-IN TERMINALS	EVERY ROW , EVERY PITCH	1	NO	OBSOLETE
V42254-P2260-B640	1-1393637-9	B64	13mm PRESS-IN TERMINALS WITH WIRE-WRAP	EVERY ROW , EVERY PITCH	2	NO	OBSOLETE
V42254-P2260-B640N	2-1393637-0	B64	13mm PRESS-IN TERMINALS WITH WIRE-WRAP	EVERY ROW , EVERY PITCH	2	NO	OBSOLETE
V42254-P2260-C480	2-1393637-2	C48	13mm PRESS-IN TERMINALS WITH WIRE-WRAP	EVERY ROW , EVERY PITCH	2	NO	OBSOLETE
V42254-P2260-C960	2-1393637-3	C96	13mm PRESS-IN TERMINALS WITH WIRE-WRAP	EVERY ROW , EVERY PITCH	2	NO	OBSOLETE
V42254-P2260-C962	2-1393637-5	C96	13mm PRESS-IN TERMINALS WITH WIRE-WRAP	ROW A+B , EVERY PITCH	2	NO	OBSOLETE
V42254-P2260-C963	2-1393637-6	C96	13mm PRESS-IN TERMINALS WITH WIRE-WRAP	ROW A+C , EVERY PITCH	2	NO	OBSOLETE
V42254-P2261-B640	2-1393637-8	B64	17mm PRESS-IN TERMINALS WITH WIRE-WRAP	EVERY ROW , EVERY PITCH	2	NO	OBSOLETE
V42254-P2261-C960	2-1393637-9	C96	17mm PRESS-IN TERMINALS WITH WIRE-WRAP	EVERY ROW , EVERY PITCH	2	NO	
V42254-P2261-C963	3-1393637-0	C96	17mm PRESS-IN TERMINALS WITH WIRE-WRAP	ROW A+C , EVERY PITCH	2	NO	OBSOLETE
V42254-P2263-B320	3-1393637-3	B32	3,7mm PRESS-IN TERMINALS	EVERY ROW , EVERY PITCH	2	NO	OBSOLETE
V42254-P2263-B325	3-1393637-4	B32	3,7mm PRESS-IN TERMINALS	EVERY ROW , EVERY EVEN PITCH	2	NO	OBSOLETE
V42254-P2263-B325N	3-1393637-5	B32	3,7mm PRESS-IN TERMINALS	EVERY ROW , EVERY EVEN PITCH	2	NO	OBSOLETE
V42254-P2263-B640	3-1393637-6	B64	3,7mm PRESS-IN TERMINALS	EVERY ROW , EVERY PITCH	2	NO	SUPERSEDED BY 5650865-5
V42254-P2263-C300	4-1393637-0	C30	3,7mm PRESS-IN TERMINALS	EVERY ROW , EVERY PITCH	2	NO	OBSOLETE
V42254-P2263-C303	4-1393637-2	C30	3,7mm PRESS-IN TERMINALS	ROW A+C , EVERY PITCH	2	NO	OBSOLETE
V42254-P2263-C480	4-1393637-4	C48	3,7mm PRESS-IN TERMINALS	EVERY ROW , EVERY PITCH	2	NO	
V42254-P2263-C480N	4-1393637-5	C48	3,7mm PRESS-IN TERMINALS	EVERY ROW , EVERY PITCH	2	NO	OBSOLETE
V42254-P2263-C483	2-1392009-7	C48	3,7mm PRESS-IN TERMINALS	ROW A+C , EVERY PITCH	2	NO	OBSOLETE
V42254-P2263-C960	4-1393637-6	C96	3,7mm PRESS-IN TERMINALS	EVERY ROW , EVERY PITCH	2	NO	
V42254-P2263-C963	4-1393637-9	C96	3,7mm PRESS-IN TERMINALS	ROW A+C , EVERY PITCH	2	NO	
V42254-P2263-C965	5-1393637-2	C96	3,7mm PRESS-IN TERMINALS	EVERY ROW , EVERY EVEN PITCH	2	NO	OBSOLETE
V42254-P2263-C968	5-1393637-3	C96	3,7mm PRESS-IN TERMINALS	ROW A+C , EVERY EVEN PITCH	2	NO	OBSOLETE
V42254-P2266-B320	6-1393637-2	B32	13mm PRESS-IN TERMINALS WITH WIRE-WRAP AND INSERTION AREA LEVEL 2	EVERY ROW , EVERY PITCH	2	NO	OBSOLETE
V42254-P2266-B640	6-1393637-3	B64	13mm PRESS-IN TERMINALS WITH WIRE-WRAP AND INSERTION AREA LEVEL 2	EVERY ROW , EVERY PITCH	2	NO	OBSOLETE
V42254-P2266-C480	6-1393637-5	C48	13mm PRESS-IN TERMINALS WITH WIRE-WRAP AND INSERTION AREA LEVEL 2	EVERY ROW , EVERY PITCH	2	NO	OBSOLETE
V42254-P2266-C960	6-1393637-6	C96	13mm PRESS-IN TERMINALS WITH WIRE-WRAP AND INSERTION AREA LEVEL 2	EVERY ROW , EVERY PITCH	2	NO	OBSOLETE
V42254-P2266-C963	6-1393637-9	C96	13mm PRESS-IN TERMINALS WITH WIRE-WRAP AND INSERTION AREA LEVEL 2	ROW A+C , EVERY PITCH	2	NO	OBSOLETE
V42254-P2266-C965	7-1393637-0	C96	13mm PRESS-IN TERMINALS WITH WIRE-WRAP AND INSERTION AREA LEVEL 2	EVERY ROW , EVERY EVEN PITCH	2	NO	OBSOLETE
V42254-P2266-C968	7-1393637-1	C96	13mm PRESS-IN TERMINALS WITH WIRE-WRAP AND INSERTION AREA LEVEL 2	ROW A+C , EVERY EVEN PITCH	2	NO	OBSOLETE
V42254-P2267-C960	7-1393637-3	C96	17mm PRESS-IN TERMINALS WITH WIRE-WRAP AND INSERTION AREA LEVEL 2	EVERY ROW , EVERY PITCH	2	NO	
V42254-P2267-C963	7-1393637-4	C96	17mm PRESS-IN TERMINALS WITH WIRE-WRAP AND INSERTION AREA LEVEL 2	ROW A+C , EVERY PITCH	2	NO	OBSOLETE
V42254-P2270-C483	2-1392009-0	C48	6,0mm PRESS-IN TERMINALS	ROW A+C , EVERY PITCH	2	NO	OBSOLETE
V42254-P2270-C960	8-1393637-0	C96	6,0mm PRESS-IN TERMINALS	EVERY ROW , EVERY PITCH	2	NO	OBSOLETE
V42254-P2270-C960N	8-1393637-2	C96	6,0mm PRESS-IN TERMINALS	EVERY ROW , EVERY PITCH	2	NO	OBSOLETE
V42254-P2270-C963	8-1393637-4	C96	6,0mm PRESS-IN TERMINALS	ROW A+C , EVERY PITCH	2	NO	OBSOLETE
V42254-P2270-C963N	8-1393637-6	C96	6,0mm PRESS-IN TERMINALS	ROW A+C , EVERY PITCH	2	NO	OBSOLETE
V42254-P2270-C968	8-1393637-7	C96	6,0mm PRESS-IN TERMINALS	ROW A+C , EVERY EVEN PITCH	2	NO	OBSOLETE
V42254-P2470-C960	1-1393638-2	C96	6,0mm PRESS-IN TERMINALS	EVERY ROW , EVERY PITCH	1	NO	OBSOLETE
V42254-P2470-C963	1-1393638-3	C96	6,0mm PRESS-IN TERMINALS	ROW A+C , EVERY PITCH	1	NO	OBSOLETE

1)

1)


1)

1)

1)

1) CONNECTORS WITHOUT MARKING, IN TE PACKAGING.

ACTIVE PART NUMBERS.  
CONTACT TE FOR OTHER CONFIGURATION AVAILABILITY

THIS DRAWING IS A CONTROLLED DOCUMENT.		DN CUVELIER	07JUN94	 TE Connectivity	
DIMENSIONS: mm		CHK	-		
TOLERANCES UNLESS OTHERWISE SPECIFIED:		APVD	-	NAME	
0 PLC ± - 1 PLC ± - 2 PLC ± - 3 PLC ± - 4 PLC ± - ANGLES ± -		PRODUCT SPEC		RECEPTACLE ASSEMBLY EUROCARD PRESS FIT, TYPES B,C AND SHORT VERSIONS (PN:V42254-P2***-C***-7626)	
MATERIAL		APPLICATION SPEC		SIZE	RESTRICTED TO
FINISH		WEIGHT		A1	00779
CUSTOMER DRAWING		SCALE		NTS	SHEET 2 OF 2
		DRAWING NO		1393637-7	

Компания «Life Electronics» занимается поставками электронных компонентов импортного и отечественного производства от производителей и со складов крупных дистрибьюторов Европы, Америки и Азии.

С конца 2013 года компания активно расширяет линейку поставок компонентов по направлению коаксиальный кабель, кварцевые генераторы и конденсаторы (керамические, пленочные, электролитические), за счёт заключения дистрибьюторских договоров

Мы предлагаем:

- Конкурентоспособные цены и скидки постоянным клиентам.
- Специальные условия для постоянных клиентов.
- Подбор аналогов.
- Поставку компонентов в любых объемах, удовлетворяющих вашим потребностям.
- Приемлемые сроки поставки, возможна ускоренная поставка.
- Доставку товара в любую точку России и стран СНГ.
- Комплексную поставку.
- Работу по проектам и поставку образцов.
- Формирование склада под заказчика.
- Сертификаты соответствия на поставляемую продукцию (по желанию клиента).
- Тестирование поставляемой продукции.
- Поставку компонентов, требующих военную и космическую приемку.
- Входной контроль качества.
- Наличие сертификата ISO.

В составе нашей компании организован Конструкторский отдел, призванный помогать разработчикам, и инженерам.

Конструкторский отдел помогает осуществить:

- Регистрацию проекта у производителя компонентов.
- Техническую поддержку проекта.
- Защиту от снятия компонента с производства.
- Оценку стоимости проекта по компонентам.
- Изготовление тестовой платы монтаж и пусконаладочные работы.



Тел: +7 (812) 336 43 04 (многоканальный)

Email: [org@lifeelectronics.ru](mailto:org@lifeelectronics.ru)