

DESCRIPTION

Demonstration circuit 792A is a high linearity, low power downconverting mixer featuring the LT5525. The RF input frequency is 900MHz, and the IF output frequency is 140MHz.

The LT5525 is a low power broadband mixer optimized for high linearity applications such as point-to-point data transmission, cable infrastructure and wireless infrastructure systems. The device includes an internally matched high speed LO amplifier driving a double-balanced active mixer core. An integrated RF buffer amplifier provides excellent LO-RF isolation. The RF and IF ports can be easily matched across a

broad range of frequencies for use in a wide variety of applications.

The LT5525 offers a high performance alternative to passive mixers. Unlike passive mixers which have conversion loss and require high LO drive levels, the LT5525 delivers conversion gain at significantly lower LO input levels and is much less sensitive to LO power level variations.

Design files for this circuit board are available. Call the LTC factory.

Table 1. Typical Performance Summary ($V_{CC} = 5V$, EN = High, $f_{RF} = 1900MHz$, $P_{RF} = -15dBm$, $f_{LO} = 1760MHz$, $P_{LO} = -5dBm$, $f_{IF} = 140MHz$, $T_A = 25^\circ C$, unless otherwise noted. Test circuit shown in Figure 2.)

PARAMETER	CONDITION	VALUE
Supply Voltage		3.6V to 5.3V
Supply Current	EN = High	28mA
Maximum Shutdown Current	EN = Low	100 μ A
RF to LO isolation		38dB
Conversion Gain		-1.9dB
Input 3 rd Order Intercept	2-Tone, -15dBm/tone, $\Delta f = 1MHz$	17.6dBm
Single Sideband Noise Figure		15.1dB
LO to RF Leakage		-43dBm
LO to IF Leakage		-39dBm
2RF-2LO Output Spurious Product ($f_{RF} = f_{LO} \pm f_{IF}/2$)	$f_{RF} = 1830MHz$, $P_{RF} = -15dBm$, $f_{LO} = 1760MHz$	-53dBc
3RF-3LO Output Spurious Product ($f_{RF} = f_{LO} \pm f_{IF}/3$)	$f_{RF} = 1806.67MHz$, $P_{RF} = -15dBm$, $f_{LO} = 1760MHz$	-59dBc
Input 1dB Compression		+4dBm

APPLICATION NOTE

ABSOLUTE MAXIMUM INPUT RATING

Supply Voltage	5.5V
Enable Voltage.....	-0.3V to $V_{CC}+0.3V$
RF Input Power	+10dBm
LO Input Power	+10dBm

FREQUENCY RANGE

Demonstration circuit 792A is optimized for evaluating the LT5525 for 1900MHz RF to 140MHz IF down-conversion with either low-side or high-side LO injection.

The RF input port is well matched with better than 12dB return loss over the frequency range from 1300MHz to 2300GHz. The IF output port is matched for 140MHz with a 10dB return loss bandwidth of 50MHz.

With proper matching, the RF and IF ports can be tuned for operation at other frequencies. Please refer to the LT5525 datasheet Applications Information section.

The LO input is internally matched to 50Ω.

QUICK START PROCEDURE

Demonstration circuit 792A is easy to set up to evaluate the performance of the LT5525. Refer to **Error! Reference source not found.** for proper measurement equipment setup and follow the procedure below:

1. Connect signal generator outputs to demo board RFin port (SMA connector J1) and LOin port (SMA connector J3) via coaxial cable.
2. Connect demo board IFout port (SMA connector J2) to spectrum analyzer input via coaxial cable.

TEST EQUIPMENT AND SETUP

Refer to **Error! Reference source not found.** for proper measurement equipment setup.

Use high performance signal generators with low harmonic output for 2-tone measurements. Otherwise, low-pass filters at the signal generator outputs should be used to suppress higher-order harmonics.

High quality combiners that provide broadband 50Ω termination on all ports and have good port-to-port isolation should be used. Attenuators on the outputs of the signal generators are recommended to further improve source isolation, to prevent the sources from modulating each other and generating intermodulation products.

Spectrum analyzers can produce significant internal distortion products if they are overdriven. Generally, spectrum analyzers are designed to operate at their best with about -30dBm to -40dBm at their input. Sufficient spectrum analyzer input attenuation should be used to avoid saturating the instrument.

Before performing measurements on the DUT, the system performance should be evaluated to ensure that: 1) a clean input signal is obtained and 2) the spectrum analyzer internal distortion is minimized.

3. Connect DC power supply negative (-) output to demo board GND pin (E2 or E4).
4. Connect DC power supply positive (+) output (3.6V to 5.25V) to demo board Vcc pin (E1).

NOTE: Do not exceed 5.5V, the absolute maximum supply voltage.

5. Using a jumper cable, connect demo board Vcc pin (E3) to EN pin (E1). Now the detector is enabled (on) and is ready for measurement.

QUICK START GUIDE FOR DEMONSTRATION CIRCUIT 792A

900MHZ HIGH LINEARITY, LOW POWER DOWNCONVERTING MIXER

NOTE: Make sure that the power is not applied to the EN pin before it is applied to the Vcc pin. The voltage on the EN pin must never exceed the voltage on the Vcc pin +0.3V.

6. Apply RF and LO input signals to perform AC measurements.

NOTE: Do not exceed +10dBm, the absolute maximum RF and LO input power.

7. Set the LO signal generator (#1) to provide a 1760MHz, -5dBm, CW signal to the demo board LO input port.
8. Set the RF signal generators (#2 and #3) to provide two -15dBm CW signals to the demo board RF input port—one at 1900MHz, and the other at 1901MHz.
9. Set the Spectrum Analyzer's frequency range to capture the 140MHz IF output. Sufficient spectrum analyzer input attenuation should be used to avoid saturating the instrument.
10. Conversion gain and Input 3rd order intercept can be measured:
 - a. $G_c = P_1 - P_{in}$
 - b. $IIP3 = (P_1 - P_3) / 2 + P_{in}$Where P1 is the power level of the fundamental output tone at 140MHz or at 141MHz, P3 is the 3rd order product at 139MHz or at 142MHz, and Pin is

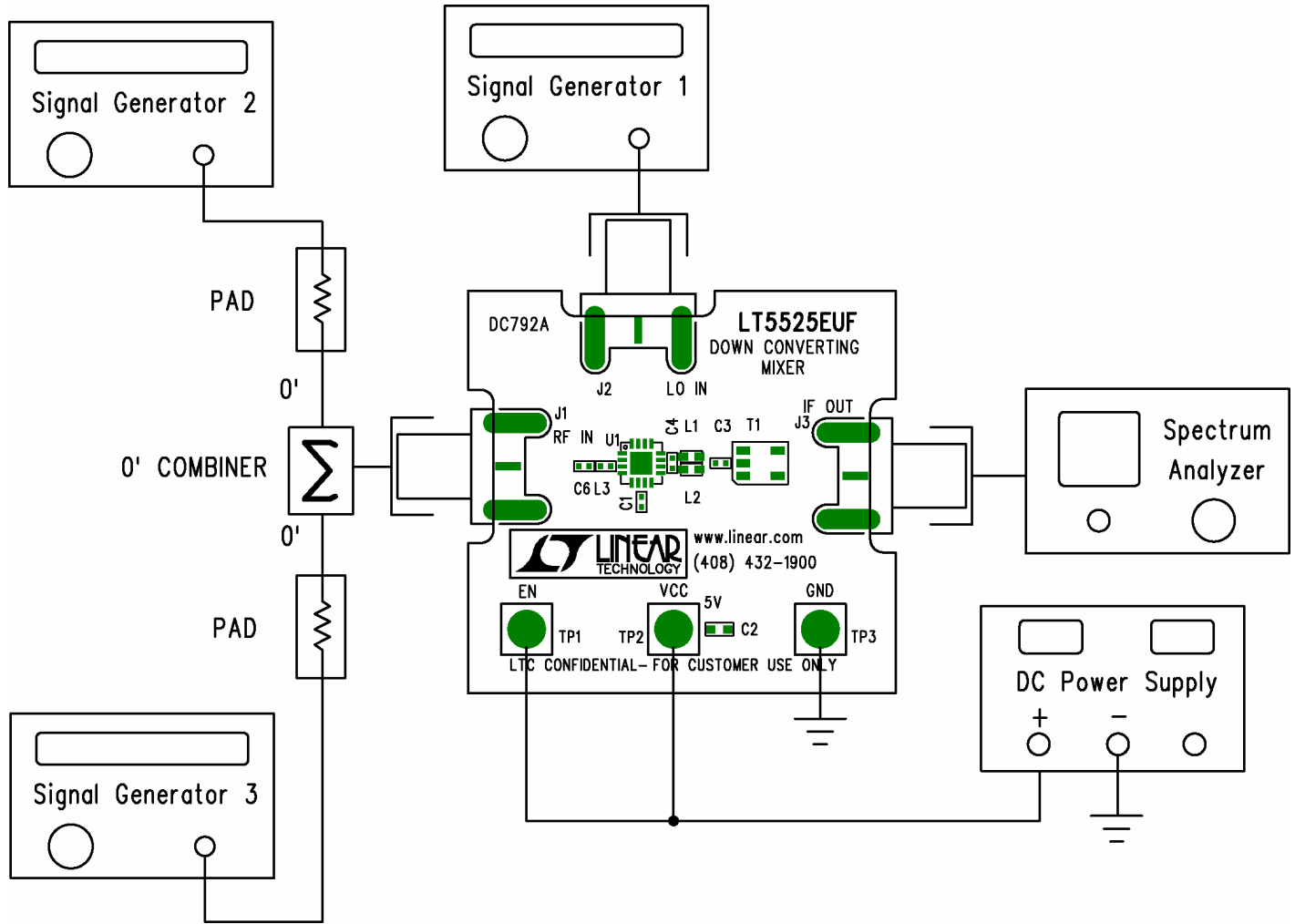
the input power (in this case, -15dBm). All units are in dBm.

11. To measure the 2RF-2LO output spurious product, turn off signal generator 3. Set signal generator 2 to $f_{RF} = f_{LO} \pm f_{IF}/2$. In this case, $f_{RF} = 1760\text{MHz} + 140\text{MHz} / 2 = 1830\text{MHz}$. Then the desired output would be at 70MHz, and the 2RF-2LO output spur would be at 140MHz. The dBc difference between the two tones is the 2RF-2LO output spurious product.
12. Follow the same procedure for 3RF-3LO output spurious product measurement. This time, set signal generator 2 to $f_{RF} = f_{LO} \pm f_{IF}/3 = 1760\text{MHz} + 140\text{MHz} / 3 = 1806.67\text{MHz}$. The desired output would be at 46.67MHz, and the 3RF-3LO output spur would be at 140MHz. The dBc difference between the two tones is the 3RF-3LO output spurious product.
13. Measure RF to LO isolation, LO leakages, and Input 1dB compression.
14. Single-Sideband Noise Figure can be measured on a noise figure meter. Refer to noise figure meter manual for instructions. Be sure to use a high quality signal generator and a band-pass filter on the LO input. A band-pass filter on the RF input port is required for image suppression.

Figure 1.

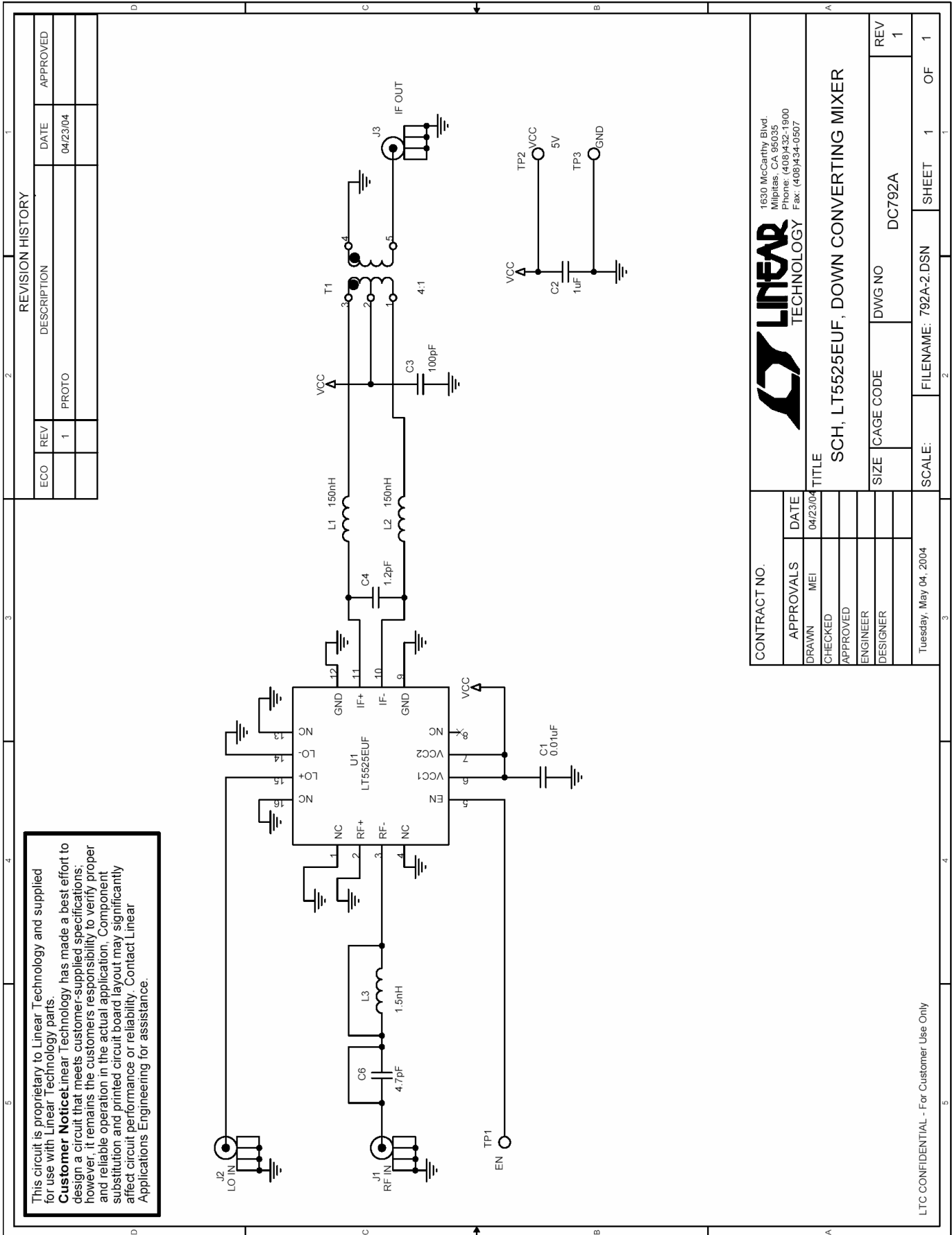
QUICK START GUIDE FOR DEMONSTRATION CIRCUIT 792A

900MHZ HIGH LINEARITY, LOW POWER DOWNCONVERTING MIXER



QUICK START GUIDE FOR DEMONSTRATION CIRCUIT 792A

900MHZ HIGH LINEARITY, LOW POWER DOWNCONVERTING MIXER



This circuit is proprietary to Linear Technology and supplied for use with Linear Technology parts.
Customer Notice: Linear Technology has made a best effort to design a circuit that meets customer-supplied specifications; however, it remains the customer's responsibility to verify proper and reliable operation in the actual application. Component substitution and printed circuit board layout may significantly affect circuit performance or reliability. Contact Linear Applications Engineering for assistance.

REVISION HISTORY

ECO	REV	DESCRIPTION	DATE	APPROVED
	1	PROTO	04/23/04	



1630 McCarthy Blvd.
 Milpitas, CA 95035
 Phone: (408)432-1900
 Fax: (408)434-0507

CONTRACT NO.

APPROVALS	DATE
DRAWN: MEI	04/23/04
CHECKED	
APPROVED	
ENGINEER	
DESIGNER	
Tuesday, May 04, 2004	

TITLE

SCH, LT5525EUF, DOWN CONVERTING MIXER

SIZE	CAGE CODE	DWG NO	REV
		DC792A	1

SCALE:	FILENAME:	SHEET	OF
	792A-2.DSN	1	1

LTC CONFIDENTIAL - For Customer Use Only

Компания «Life Electronics» занимается поставками электронных компонентов импортного и отечественного производства от производителей и со складов крупных дистрибьюторов Европы, Америки и Азии.

С конца 2013 года компания активно расширяет линейку поставок компонентов по направлению коаксиальный кабель, кварцевые генераторы и конденсаторы (керамические, пленочные, электролитические), за счёт заключения дистрибьюторских договоров

Мы предлагаем:

- Конкурентоспособные цены и скидки постоянным клиентам.
- Специальные условия для постоянных клиентов.
- Подбор аналогов.
- Поставку компонентов в любых объемах, удовлетворяющих вашим потребностям.
- Приемлемые сроки поставки, возможна ускоренная поставка.
- Доставку товара в любую точку России и стран СНГ.
- Комплексную поставку.
- Работу по проектам и поставку образцов.
- Формирование склада под заказчика.
- Сертификаты соответствия на поставляемую продукцию (по желанию клиента).
- Тестирование поставляемой продукции.
- Поставку компонентов, требующих военную и космическую приемку.
- Входной контроль качества.
- Наличие сертификата ISO.

В составе нашей компании организован Конструкторский отдел, призванный помогать разработчикам, и инженерам.

Конструкторский отдел помогает осуществить:

- Регистрацию проекта у производителя компонентов.
- Техническую поддержку проекта.
- Защиту от снятия компонента с производства.
- Оценку стоимости проекта по компонентам.
- Изготовление тестовой платы монтаж и пусконаладочные работы.



Тел: +7 (812) 336 43 04 (многоканальный)

Email: org@lifeelectronics.ru