

# Bridgetek Pte Ltd

## Datasheet

### *CleO50* Module



## 1 Introduction

*CleO50* is a smart TFT display shield for Arduino and MikroBUS. It includes a 5.0 inch 800x480 pixel TFT LCD panel with resistive touch, PWM audio output with in-built speaker amplifier for better audio quality. For the convenience of user, speaker cable with 1X4 socket to 2 pin wire ended and 1X2 socket is provided. Users can use their own speaker.

These smart TFT display shields can be easily programmed by almost anyone to give professional looking HMI / GUI's with no prior knowledge of complex graphics programming or mathematics.

### 1.1 Features

*CleO50* utilises the Bridgetek FT900 low power MCU to bridge between the Arduino and fast interface accessories such as MikroBUS, camera and SD Card input. For a full list of the FT900's features refer to the [FT90X datasheet](#). In addition, *CleO50* has the following features:

- Support landscape and portrait modes
- In built Bridgetek FT812 embedded video engine (EVE) graphic controller
- Anti-aliased graphics throughout for much finer image quality with no "jaggies"
- Ready to use LCD module with resistive touch in panel mountable bezel
- USB DFU port for firmware updates
- In built 8M Byte Eflash memory
- PWM audio supported and in built speaker amplifier
- Support MikroBUS interface
- Support Micro SD card
- Support camera interface
- Support I2S interface
- Support CAN bus
- Support RTC function
- Designed as Arduino and *NerO* shield
- Compatible with Bridgetek *CleO*-RIO, *CleO*-Camera and *CleO*-Speaker
- CE and FCC certified

Note: MikroBus interface is created by MikroElektronika is an open standard anyone can implement in their design. Please visit [MikroE](#) for more detail

Neither the whole nor any part of the information contained in, or the product described in this manual, may be adapted or reproduced in any material or electronic form without the prior written consent of the copyright holder. This product and its documentation are supplied on an as-is basis and no warranty as to their suitability for any particular purpose is either made or implied. Bridgetek Pte Ltd will not accept any claim for damages howsoever arising as a result of use or failure of this product. Your statutory rights are not affected. This product or any variant of it is not intended for use in any medical appliance, device or system in which the failure of the product might reasonably be expected to result in personal injury. This document provides preliminary information that may be subject to change without notice. No freedom to use patents or other intellectual property rights is implied by the publication of this document. Bridgetek Pte Ltd, 178 Paya Lebar Road, #07-03, Singapore 409030. Singapore Registered Company Number: 201542387H

## 2 Ordering Information

<b>Part No.</b>	<b>Description</b>
<i>CleO50A</i>	<i>CleO50</i> module, with FPC/FFC 40 LCD connector, 5.0 inch TFT LCD display panel preinstalled with resistive touch. Black bezel.
<i>CleO-RIO1</i>	Arduino Shield for users to stack Arduino board on bottom of <i>CleO50</i> .
<i>CleO-CAM1</i>	A camera plug-in module for <i>CleO50</i> .
<i>CleO-SPK1</i>	A speaker enclosure with connecting wires to <i>CleO50</i> .

## 3 Program Support

Demo applications are provided for *CleO50* modules by Bridgetek. Visit Bridgetek's website <http://brtchip.com/m-cleo50/> for more information.

---

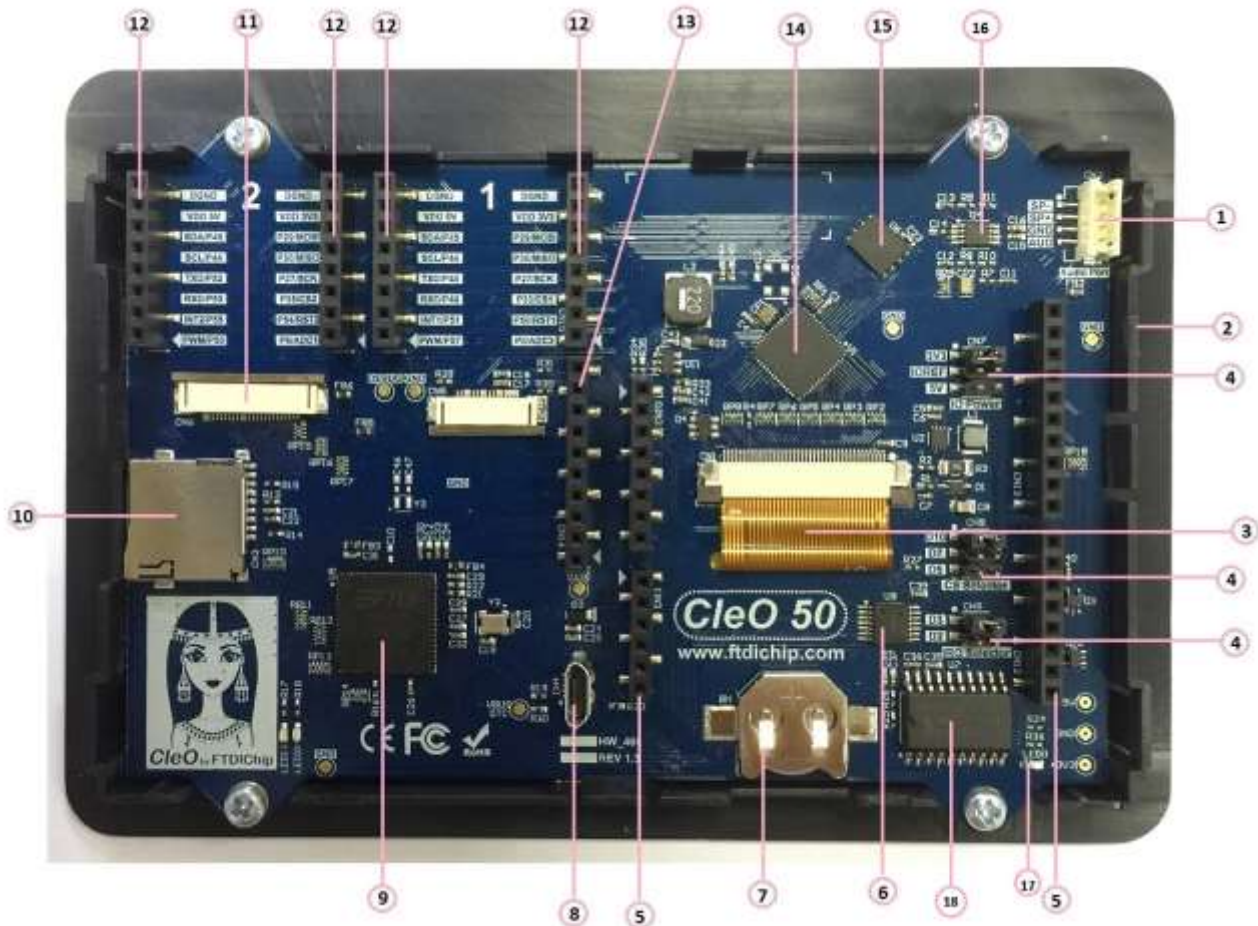
## **Table of Contents**

<b>1</b>	<b>Introduction .....</b>	<b>1</b>
1.1	<b>Features.....</b>	<b>1</b>
<b>2</b>	<b>Ordering Information .....</b>	<b>2</b>
<b>3</b>	<b>Program Support.....</b>	<b>2</b>
<b>4</b>	<b>Module Hardware Feature .....</b>	<b>5</b>
4.1	<b>Power Supply .....</b>	<b>6</b>
4.2	<b>Micro-controller .....</b>	<b>6</b>
4.3	<b>Micro SD Interface .....</b>	<b>6</b>
4.4	<b>LCD Interface.....</b>	<b>7</b>
4.5	<b>Camera Interface .....</b>	<b>9</b>
4.6	<b>Audio Output.....</b>	<b>11</b>
4.7	<b>SPI Slave Interface .....</b>	<b>12</b>
4.8	<b>MikroBUS Interface.....</b>	<b>13</b>
4.9	<b>I<sup>2</sup>S Interface and CAN Bus .....</b>	<b>15</b>
4.10	<b>Power and Program Interface.....</b>	<b>15</b>
4.11	<b>MCU Interrupt Interface .....</b>	<b>16</b>
4.12	<b>External Real Time Clock (RTC) .....</b>	<b>16</b>
<b>5</b>	<b>Devices Characteristics and Ratings.....</b>	<b>17</b>
5.1	<b>Electrical Specification .....</b>	<b>17</b>
5.2	<b>Display Specification .....</b>	<b>17</b>
5.3	<b>Optical Specification .....</b>	<b>18</b>
<b>6</b>	<b>Board Schematics.....</b>	<b>20</b>
<b>7</b>	<b>Block Diagram .....</b>	<b>23</b>
<b>8</b>	<b>Mechanical Dimensions .....</b>	<b>24</b>
8.1	<b>CleO50 Module Dimensions .....</b>	<b>24</b>
8.2	<b>Bezel Drawing.....</b>	<b>25</b>
8.3	<b>Speaker Cable Drawing .....</b>	<b>26</b>
<b>9</b>	<b>Contact Information .....</b>	<b>27</b>
	<b>Appendix A – References .....</b>	<b>28</b>

<b>Document References .....</b>	<b>28</b>
<b>Acronyms and Abbreviations .....</b>	<b>28</b>
<b>Appendix B - List of Figures and Tables .....</b>	<b>29</b>
<b>List of Tables .....</b>	<b>29</b>
<b>List of Figures .....</b>	<b>29</b>
<b>Appendix C – Revision History .....</b>	<b>30</b>

## 4 Module Hardware Feature

The dimensions of *CleO50* module are 142 mm x 99 mm X17.8mm. See Figure 1 for all the hardware features.



**Figure 1 - CleO50 Bottom View**

Key Features:

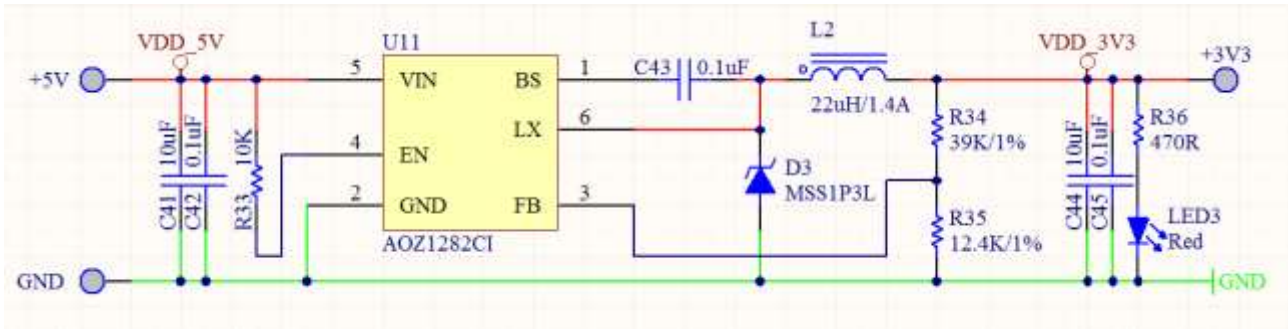
- |   |                                 |
|---|---------------------------------|
| 1 Speaker out / Line in                 | 2 Plastic Bezel                 |
| 3 5.0 in HVGA TFT I/F + Resistive Touch | 4 Arduino Configuration Jumpers |
| 5 Arduino I/F                           | 6 Level Shifter                 |
| 7 Battery Holder                        | 8 USB DFU Connector             |
| 9 FT900 MCU                             | 10 MicroSD Card Socket          |
| 11 Camera Interface                     | 12 MikroBus Interface           |
| 13 I2S & Can Bus Interface              | 14 FT812 GPU                    |
| 15 8M Byte E-Flash                      | 16 Audio Amplifier              |
| 17 Power indicator LED                  | 18 RTC Circuitry                |

## 4.1 Power Supply

*CleO50* module receives power externally. Users can combine the module with the FCC/CE certified *NerO* or Arduino UNO and draw power from those board supplies. For details of the *NerO* module, refer to [Bridgetek-NerO](#).

Alternatively, the on board USB connector, **CN4** which is primarily for debug purpose and DFU firmware upgrade may also supply power.

Once the 5V supply is applied, a Red LED power indicator will be turned on. A step down regulator **U11** will step down the 5V to 3.3V. The 3.3V supply will serve all peripherals of the FT900 microcontroller.



**Figure 2 - Power Supply**

## 4.2 Micro-controller

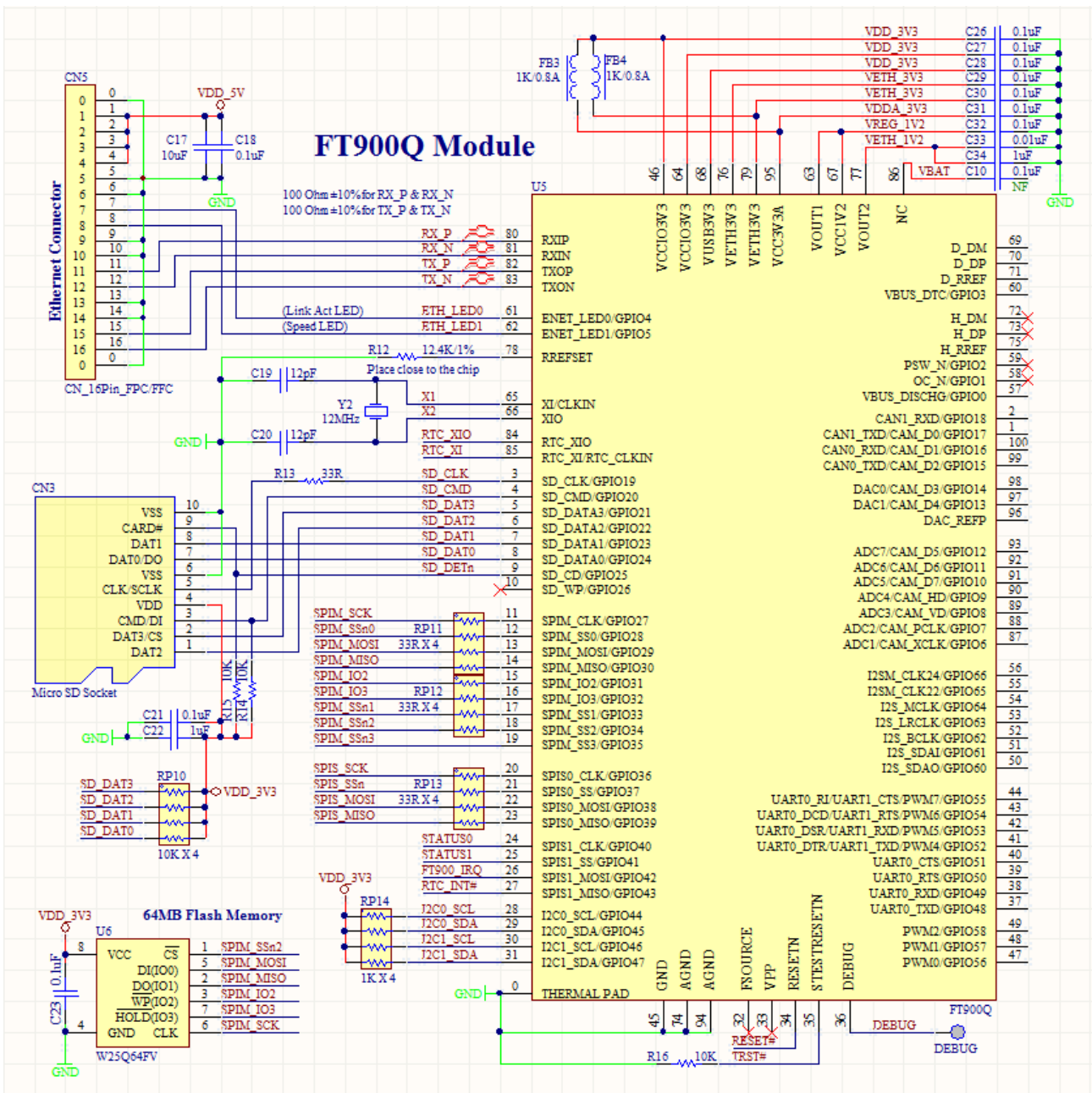
The FT900Q 100-pin QFN microcontroller which is provided on the board belongs to 32-bit FT90X Super Bridging Microcontroller family from Bridgetek. For details of the FT900Q Microcontroller, refer to [FT90X datasheet](#).

## 4.3 Micro SD Interface

A Micro SD card slot is provided on *CleO50* supporting two standard capacity card types:

- Secure Digital (SD) standard – Up to 2GB SD memory card
- Secure Digital High Capacity (SDHC) standard – Over 4GB-32GB SDHC memory card

The SD host controller is compatible with the standard specification V3.0. It supports up to 25MHz SD clock speed. *CleO50* physical interface supports 4-bit SD bus mode and card detection.



**Figure 3 – MicroSD Interface**

## 4.4 LCD Interface

CleO50 module supports a 5.0 inch TFT LCD with resistive touch. The FT812Q 56pin VQFN graphics controller IC with integrated touch and audio belongs to Bridgetek’s EVE series. For further details of the FT812Q EVE graphics controller, refer to the [FT81X datasheet](#).

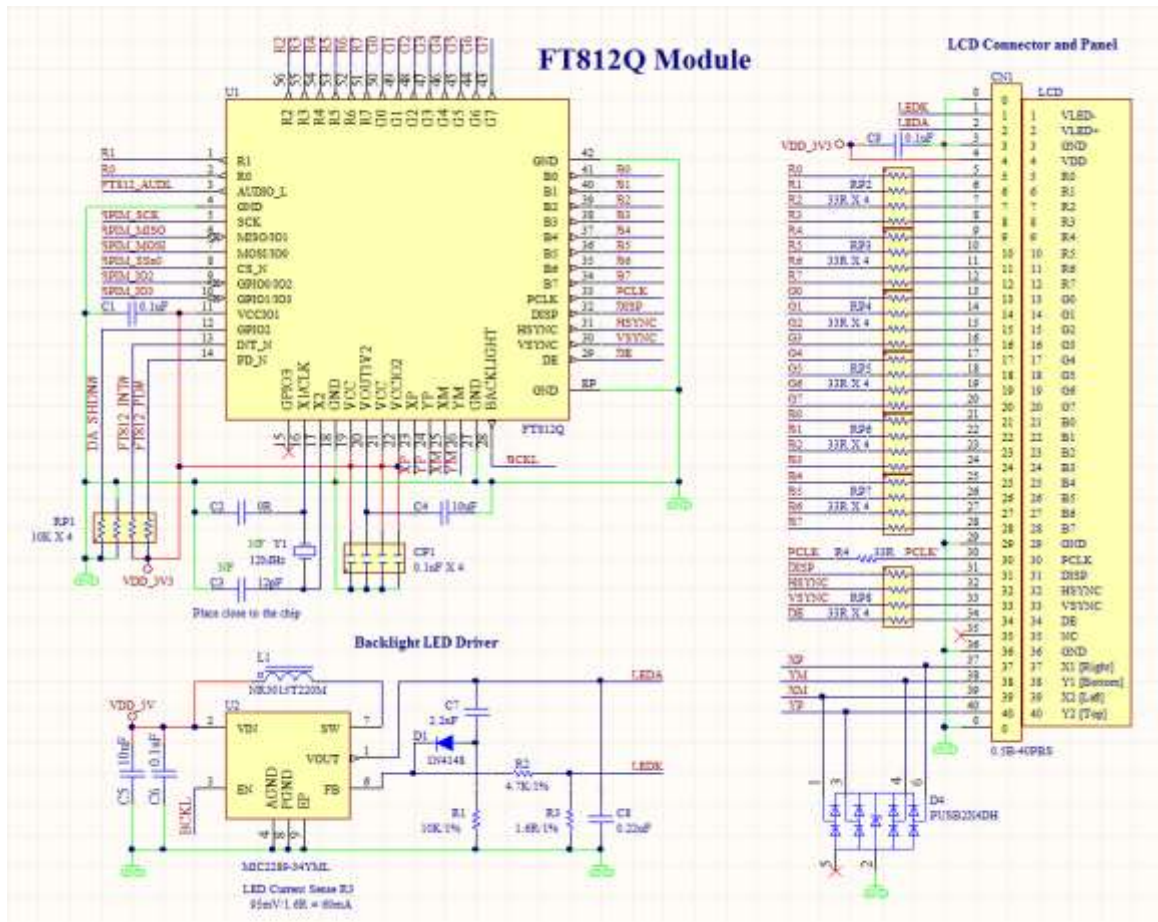
The 5.0 inch LCD is connected through the 40 pin FPC/FPC connector **CN1**. See Table 1 for the LCD connector pinout.

Pin No.	Name	Description
1	LEDK	Backlight LED Cathode
2	LEDA	Backlight LED Anode
3	GND	Ground
4	VDD_3V3	LCD VCC Supply
5	R0	Bit 0 of Red RGB Signal
6	R1	Bit 1 of Red RGB Signal
7	R2	Bit 2 of Red RGB Signal
8	R3	Bit 3 of Red RGB Signal
9	R4	Bit 4 of Red RGB Signal
10	R5	Bit 5 of Red RGB Signal
11	R6	Bit 6 of Red RGB Signal
12	R7	Bit 7 of Red RGB Signal
13	G0	Bit 0 of Green RGB Signal
14	G1	Bit 1 of Green RGB Signal
15	G2	Bit 2 of Green RGB Signal
16	G3	Bit 3 of Green RGB Signal
17	G4	Bit 4 of Green RGB Signal
18	G5	Bit 5 of Green RGB Signal
19	G6	Bit 6 of Green RGB Signal
20	G7	Bit 7 of Green RGB Signal
21	B0	Bit 0 of Blue RGB Signal
22	B1	Bit 1 of Blue RGB Signal
23	B2	Bit 2 of Blue RGB Signal
24	B3	Bit 3 of Blue RGB Signal
25	B4	Bit 4 of Blue RGB Signal
26	B5	Bit 5 of Blue RGB Signal
27	B6	Bit 6 of Blue RGB Signal
28	B7	Bit 7 of Blue RGB Signal
29	GND	Ground
30	PCLK	Pixel Clock
31	DISP	LCD Display Enable
32	HSYNC	LCD Horizontal Sync
33	VSNC	LCD Vertical Sync
34	DE	LCD Data Enable
35	NC	No Connection
36	GND	Ground



37	XP	X Right Electrode of 4-Wire Resistive Touch-Screen Panel
38	YM	Y Bottom Electrode of 4-Wire Resistive Touch-Screen Panel
39	XM	X Left Electrode of 4-Wire Resistive Touch-Screen Panel
40	YP	Y Top Electrode of 4-Wire Resistive Touch-Screen Panel

**Table 1 – LCD Connector Pin Out**



**Figure 4 – LCD Interface**

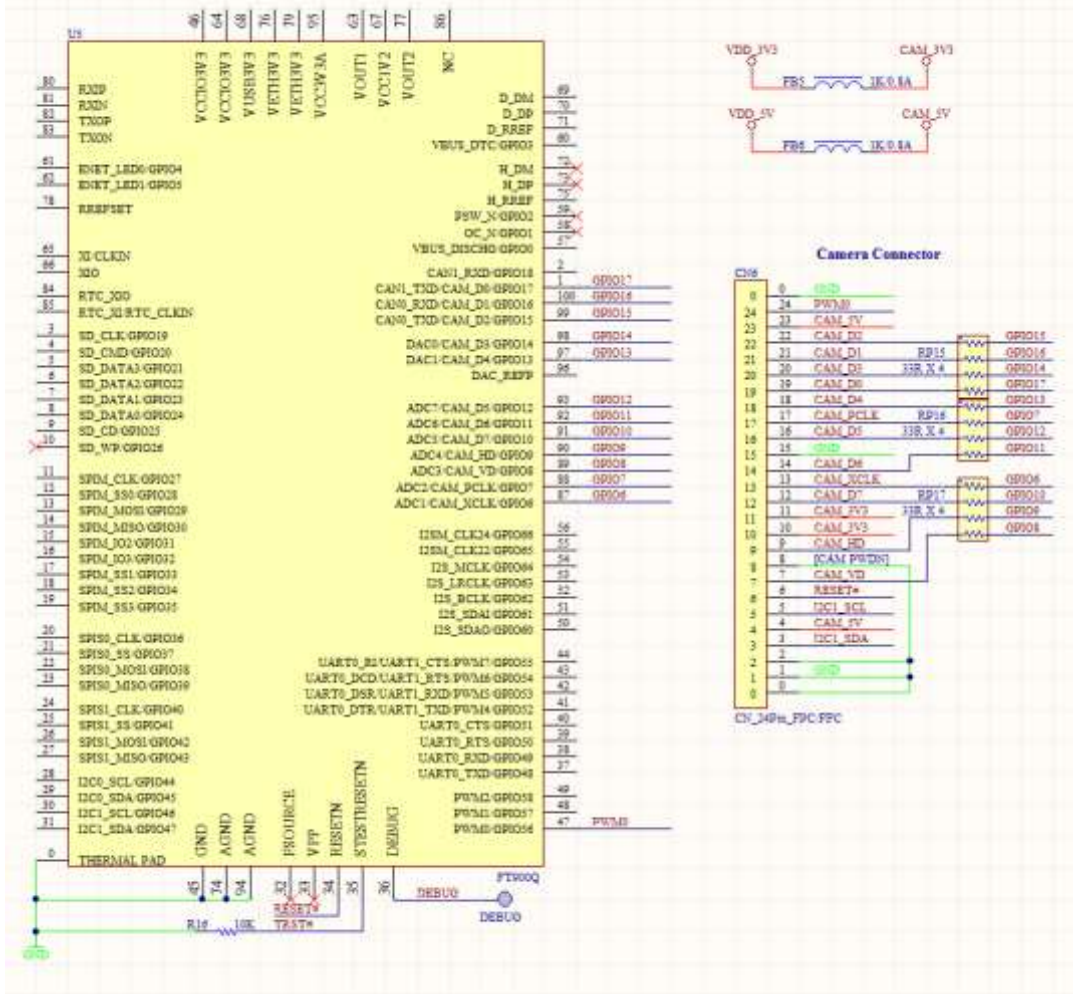
### 4.5 Camera Interface

CleO50 has a camera module interface, via a 24-pin 0.5mm pitch FFC/FPC, bottom contact connector, **CN6**. In this design, support is provided for an OmniVision OV5640 camera module. A readymade camera module (CleO-CAM1) can be purchased from Bridgetek. Support for further camera modules may be added in the future. Please visit [Bridgetek](http://Bridgetek) website for more information.

See table 2 for the Camera interface pinout.

Pin No.	Name	Description
1	GND	Ground
2	GND	Ground
3	I2C1_SDA	I2C Serial Bus, Data Line
4	CAM_5V	5V Power Supply
5	I2C1_SCL	I2C Serial Bus, Clock Line
6	RESET#	Hardware Reset, Active Low
7	CAM_VD	Camera Vertical Sync Input
8	CAM_PWDN	Camera Module Power Down Signal, Active High
9	CAM_HD	Camera Horizontal Reference Input
10	CAM_3V3	3.3V Power Supply
11	CAM_3V3	3.3V Power Supply
12	CAM_D7	Camera Data Line, Bit 7
13	CAM_XCLK	Camera External Clock Output
14	CAM_D6	Camera Data Line, Bit 6
15	GND	Ground
16	CAM_D5	Camera Data Line, Bit 5
17	CAM_PCLK	Camera Pixel Clock Input
18	CAM_D4	Camera Data Line, Bit 4
19	CAM_D0	Camera Data Line, Bit 0
20	CAM_D3	Camera Data Line, Bit 3
21	CAM_D1	Camera Data Line, Bit 1
22	CAM_D2	Camera Data Line, Bit 2
23	CAM_5V	5V Power Supply
24	PWM0	Pulse Width Modulation 0

**Table 2 – Camera Connector Pin Out**



**Figure 5 – Camera Interface**

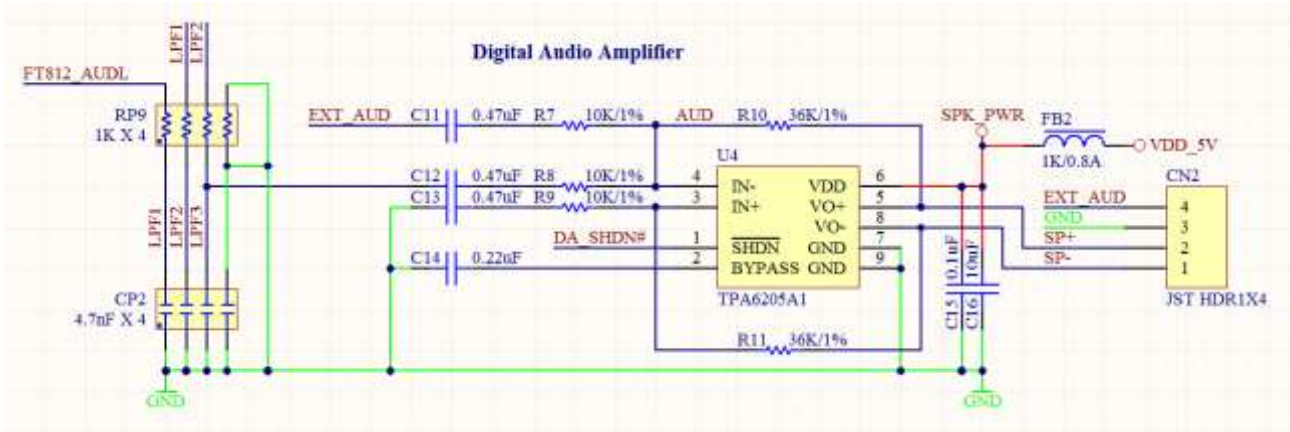
### 4.6 Audio Output

CleO50 supports a mono speaker output through **CN2**. Maximum output power, can drive up to 8 OHM, 1 Watt speaker driver. A readymade speaker module (CleO-SPK1) is also available. Visit [Bridgetek](http://Bridgetek.com) website for more information.

An alternative, mono line-in audio input is also provided on **CN2**. Users can drive in their own audio source to the on board power amplifier. See the Table 3 for the pin list for **CN2**.

Pin No.	Pin Name	Description
1	SP-	Speaker Out Negative
2	SP+	Speaker Out Positive
3	GND	Ground
4	EXT_AUD	Ext Audio Line In

**Table 3 – Audio Connector Pin Out**



**Figure 6 – Speaker Amplifier Circuitry**

## 4.7 SPI Slave Interface

CleO50 has a SPI slave interface that supports single and dual (2 data lines) SPI data transfer modes. This interface supports both 5V, 3.3V as well as user defined output levels. The user defined interface levels must be between 3V (min) to 5.5V (max). The power selection jumper is through **CN7**.

Pin No.	Description
1-2	3.3V SPI interface
3-4	SPI interface voltage level follows user setting (IOREF)
5-6	5V SPI interface

**Table 4 – CN7 Jumper Selection**

There are chip select (CS) jumper selections on **CN8**. The user has 3 options to choose for their connection.

Pin No.	Description
1-2	SPI chip select from D10 (option 1)
3-4	SPI chip select from D7 (option 2)
5-6	SPI chip select from D5 (option 3)

**Table 5 – CN8 Jumper Selection**

For the SPI Slave interface, there are two connectors for the user to interface with the master side.

- The **CN13** – 1X10 position 2.54mm pitch female header
- The **CN12** – 1X8 position 2.54mm pitch female header

Pin No.	Name	Description
1	-	No Connection
2	-	No Connection
3	D10	SPI Chip Select Option 1
4	MOSI	SPI Data from Master Side

5	MISO	SPI Data to Master Side
6	SCK	SPI Clock
7	GND	Ground
8	-	No Connection
9	-	No Connection
10	-	No Connection

**Table 6 – CN13 Pin Out**

Pin No.	Name	Description
1	-	No Connection
2	-	No Connection
3	D2	FT900 Interrupt Request Out Option 1
4	D3	FT900 Interrupt Request Out Option 2
5	-	No Connection
6	D5	SPI Chip Select Option 3
7	-	No Connection
8	D7	SPI Chip Select Option 2

**Table 7 – CN12 Pin Out**

## 4.8 MikroBUS Interface

CleO50 module has dual MikroBUS interfaces through **CN14** & **CN15** for MikroBUS 1 and **CN17** & **CN18** for MikroBUS 2.

See Table 8 for MikroBUS 1 interface pinout.

See Table 9 for MikroBUS 2 interface pinout.

Pin No. of CN14	Name	Description
1	PWM1	Pulse Width Modulation 1
2	UART0_CTS	Clear to Send Input for UART0
3	UART0_RXD	Receiver Input for UART0
4	UART0_TXD	Transmitter Output for UART0
5	I2C0_SCL	I2C0 Serial Clock Input/Output
6	I2C0_SDA	I2C0 Data Line Input/Output
7	VDD_5V	5V Power Supply
8	GND	Ground
Pin No. of CN15	Name	Description
1	GPIO8	10-Bit A/D Converter 3, Input

2	UART0_RTS	Request to Send Output for UART0
3	SPIM_SS <sub>n</sub> 1	Slave Select 1 Output for SPI Master
4	SPIM_SCK	Serial Clock Output for SPI Master
5	SPIM_MISO	Master In Slave Out for SPI Master
6	SPIM_MOSI	Master Out Slave In for SPI Master
7	VDD_3V3	3.3V Power Supply
8	GND	Ground

**Table 8 - MikroBUS 1 Interface Pin Out**

Pin No. of CN17	Name	Description
1	PWM2	Pulse Width Modulation 2
2	UART1_CTS	Clear to Send Input for UART1
3	UART1_RXD	Receiver Input for UART1
4	UART1_TXD	Transmitter Output for UART1
5	I2C0_SCL	I2C0 Serial Clock Input/Output
6	I2C0_SDA	I2C0 Data Line Input/Output
7	VDD_5V	5V Power Supply
8	GND	Ground
Pin No. of CN18	Name	Description
1	GPIO6	10-Bit A/D Converter 1, Input
2	UART1_RTS	Request to Send Output for UART1
3	SPIM_SS <sub>n</sub> 3	Slave Select 3 Output for SPI Master
4	SPIM_SCK	Serial Clock Output for SPI Master
5	SPIM_MISO	Master In Slave Out for SPI Master
6	SPIM_MOSI	Master Out Slave In for SPI Master
7	VDD_3V3	3.3V Power Supply
8	GND	Ground

**Table 9 - MikroBUS 2 Interface Pin Out**

## 4.9 I<sup>2</sup>S Interface and CAN Bus

CleO50 module has a combined interface of full I2S signals and CAN bus through **CN16**, 1X10 position 2.54mm pitch female header.

See Table 10 for connector CN16 pinout.

Pin No.	Name	Description
1	I2SM_CLK24	I2S Master External 24.576MHz Clock Input
2	I2SM_CLK22	I2S Master External 22.5792MHz Clock Input
3	I2S_MCLK	I2S Master Transmitter Clock Output
4	I2S_LRCLK	Left / Right Clock Line Output for I2S Master Transmitter or Input for I2S Slave Receiver
5	I2S_BCLK	Bit Clock Line Output for I2S Master Transmitter or Input for I2S Slave Receiver
6	I2S_SDAI	Serial Data Line Input for I2S Master or Slave
7	I2S_SDAO	Serial Data Line Output for I2S Master or Slave
8	GND	Ground
9	CAN0_RXD	CAN0 Receiver Input
10	CAN0_TXD	CAN0 Transmitter Output

**Table 10 – CN16 Pin Out**

## 4.10 Power and Program Interface

The power interface **CN10**, 1X8 position 2.54mm pitch female header, may be driven by *NerO* or an Arduino UNO.

Users can use the USB connector **CN4** for FT900 firmware upgrades. For the details of the tool operation, refer to [AN\\_325\\_FT900\\_Tool\\_Chain\\_Installation\\_Guide\\_document](#).

Pin No.	Name	Description
1	-	No Connection
2	IOREF	IO Reference Voltage
3	RESET	FT900 Reset Pin
4	-	No Connection
5	VDD_5V	5V Power Supply
6	GND	Ground
7	GND	Ground
8	-	No Connection

**Table 11 – CN10 Pin Out**

## 4.11 MCU Interrupt Interface

There is a jumper selection for the FT900 interrupt request through **CN9**. Users have 2 options to choose from.

Pin No.	Description
1-2	Connect to Arduino/NerO MCU int0(D3)
3-4	Connect to Arduino/NerO MCU int1(D2)

**Table 12 – CN9 Jumper Selection**

## 4.12 External Real Time Clock (RTC)

*CleO50* has an external RTC through I2C1 channel and supplied by backup battery (CR-1220) during off-mode.



## 5 Devices Characteristics and Ratings

### 5.1 Electrical Specification

Parameter	Value	Unit	Conditions
Storage Temperature	-30°C to 80°C	Degrees C	
Ambient Operating Temperature (Power Applied)	-20°C to 70°C	Degrees C	

**Table 13 - Temperature Parameter**

DC Characteristics (Ambient Temperature = -20°C to +70°C)

Parameter	Description	Minimum	Typical	Maximum	Units	Conditions
V <sub>bus</sub>	USB Power Supply	4.75		5.25	V	
V <sub>DC</sub>	DC Power Supply	4.75		5.25	V	External Source
I <sub>usb</sub>	USB Power Supply Current			500	mA	
I <sub>DC</sub>	DC Supply Current			1	A	DC=5V, external source
I <sub>idle</sub>	DC Current in Idle Mode		426		mA	With LCD and Backlight On
V <sub>io</sub>	3.3 Vio Voltage Reference	3.0	3.3	3.6	V	
V <sub>ih</sub>	Input High Voltage	2			V	
V <sub>il</sub>	Input Low Voltage			0.8	V	
V <sub>oh</sub>	Output High Voltage	2.4			V	
V <sub>ol</sub>	Output Low Voltage			0.4	V	

**Table 14 – Operating Voltage and Current**

### 5.2 Display Specification

Item	Spec	Units	Notes
Display Area(AA)	108.00(W) * 64.8(H)	mm	5 Inch Diagonal
Driver Element	TFT Active Matrix	mA	
Display Colors	16.7M	-	
Number of Pixels	800(RGB)*480	dots	
Viewing Angle	12:00	o'clock	Landscape View
Display Mode	Transmissive/ Normally White	-	

Item	Spec	Units	Notes
LCD Luminance	400	cd/m <sup>2</sup>	
Touch Screen	Resistive	-	

**Table 15 – Display Specification**

### 5.3 Optical Specification

Brightness (With TP)	Bp	$\theta=0^\circ$ $\Phi=0^\circ$		400	-	Cd/m <sup>2</sup>	1	
Uniformity	$\Delta$ Bp		75	-	-	%	1,2	
Viewing Angle	3:00	Cr $\geq$ 10	-	60	-	Deg	3	
	6:00		-	45	-			
	9:00		-	60	-			
	12:00		-	60	-			
Contrast Ratio	Cr	$\theta=0^\circ$ $\Phi=0^\circ$	300	500		-	4	
Response Time	T <sub>r</sub>		-	10	-	ms	5	
	T <sub>f</sub>		-	10	-	ms		
Color of CIE Coordinate	W	x		0.28		-	1,6	
		y		0.33		-		
	R	x		0.51		-		
		y		0.34		-		
	G	x	$\theta=0^\circ$ $\Phi=0^\circ$		0.31			-
		y			0.56			-
	B	x			0.15			-
		y			0.14			-
NTSC Ratio	S			50	60	-	%	

**Table 16 – 5.0 Inch TFT Optical Specification**

Note: The parameter is slightly changed by temperature, driving voltage and material

Note 1: The data are measured after LEDs are turned on for 5 minutes. LCM displays full white.  
 The brightness is the average value of 9 measured spots. Measurement equipment PR-705 (Φ8mm)

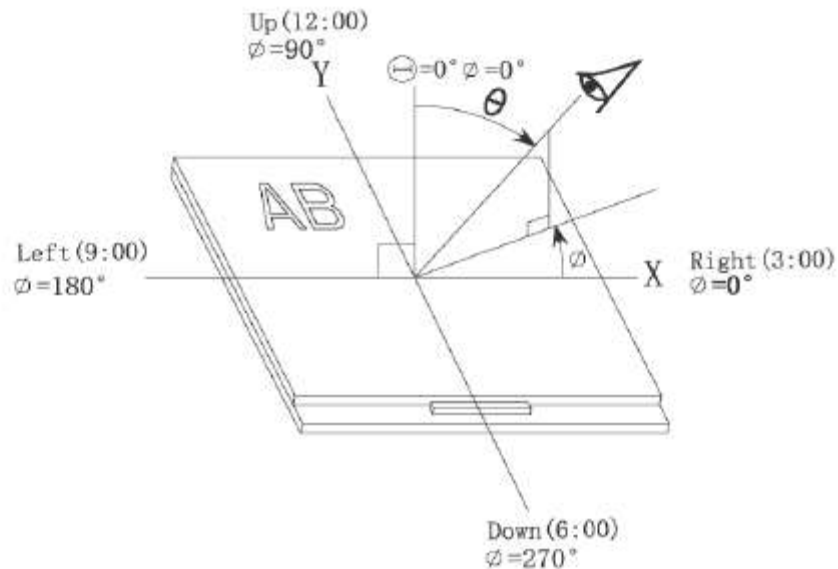
Measuring condition:

- Measuring surroundings: Dark room.
- Measuring temperature:  $T_a=25^{\circ}\text{C}$ .
- Adjust operating voltage to get optimum contrast at the center of the display.

Measured value at the center point of LCD panel after more than 5 minutes while backlight turning on.

Note 3: The definition of viewing angle:

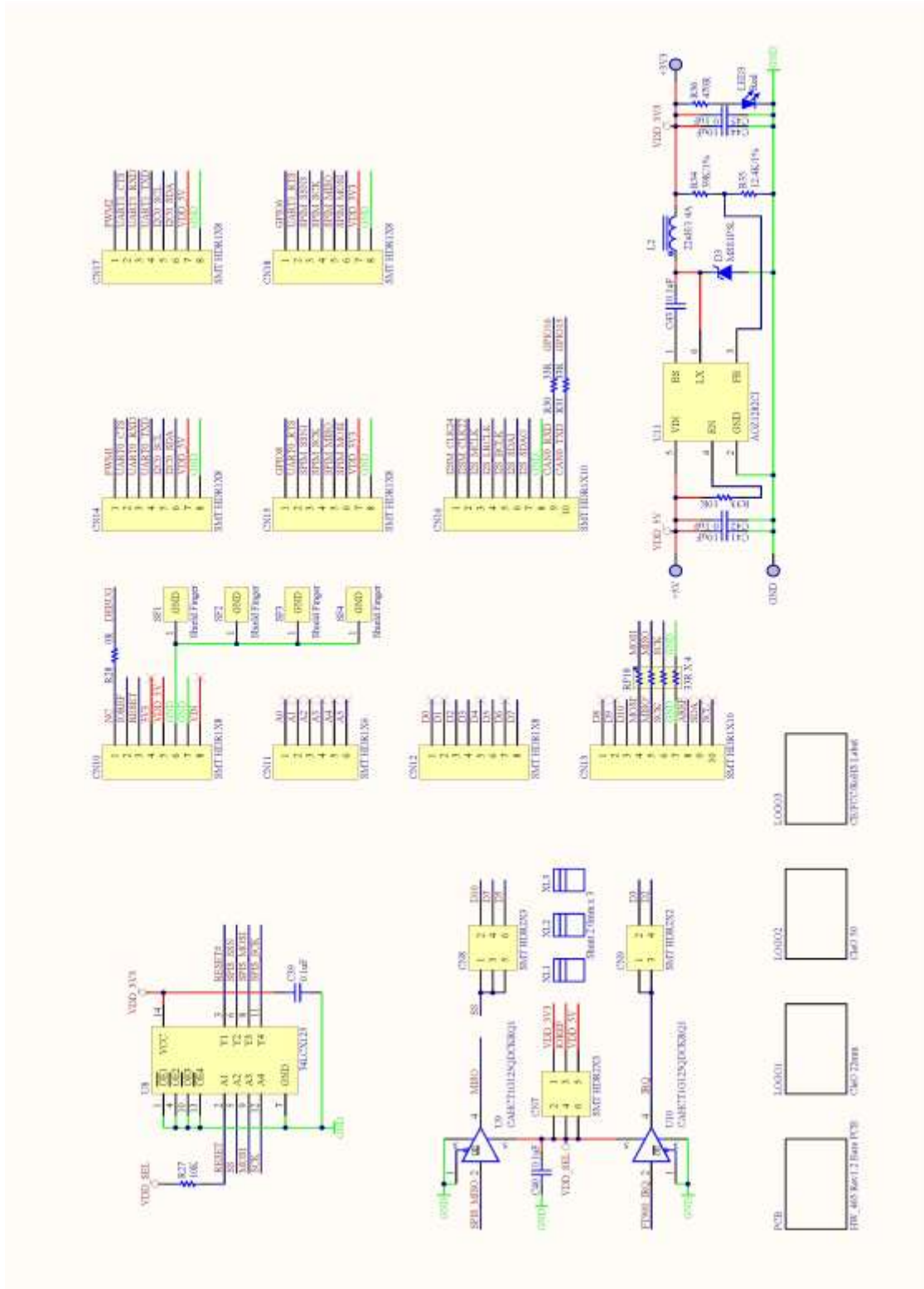
Refer to the graph below marked by  $\theta$  and  $\phi$



**Figure 7 – Viewing Angle of the LCD**

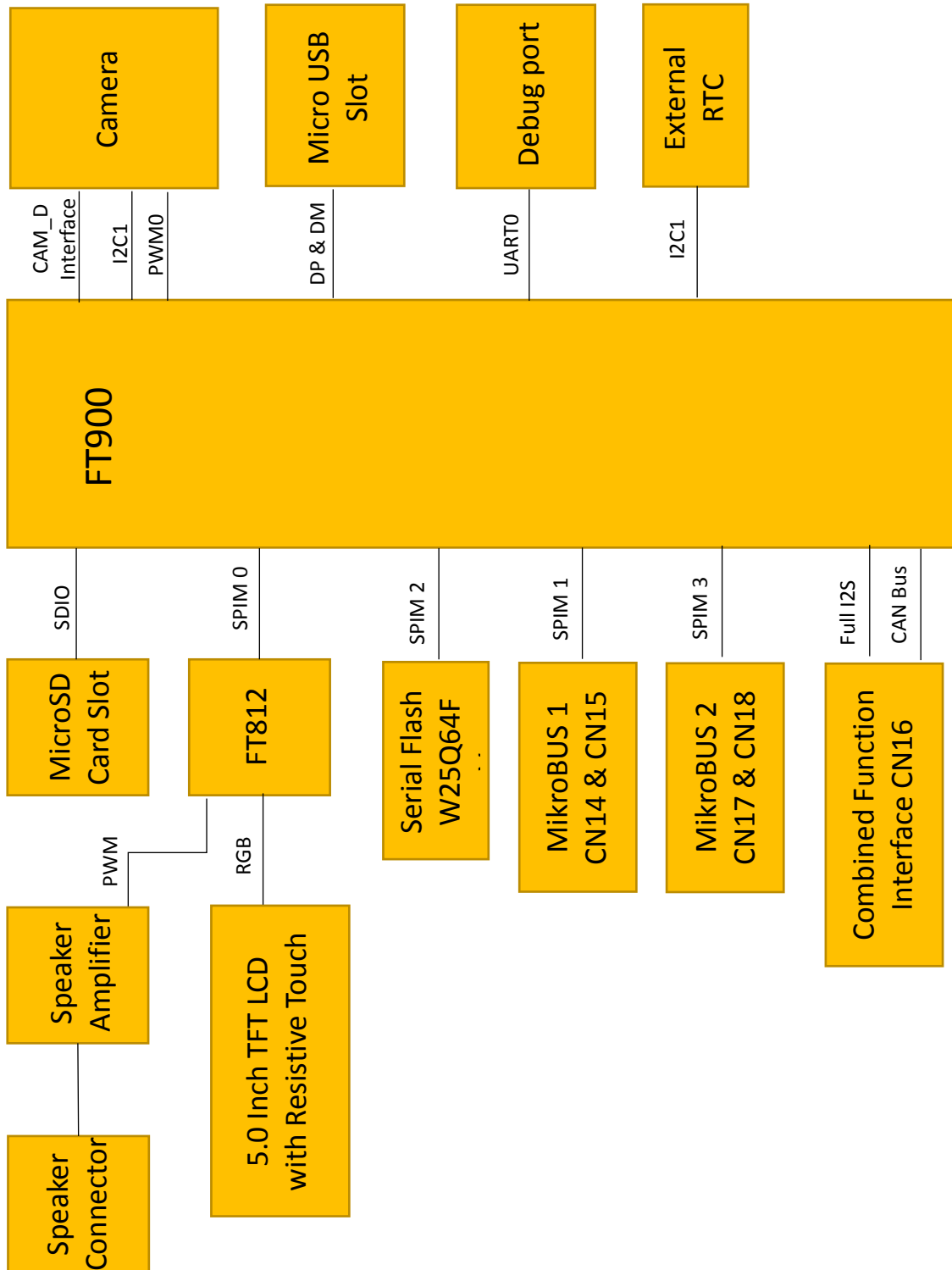






**Figure 10 – Sheet 3 – Power and Connectors**

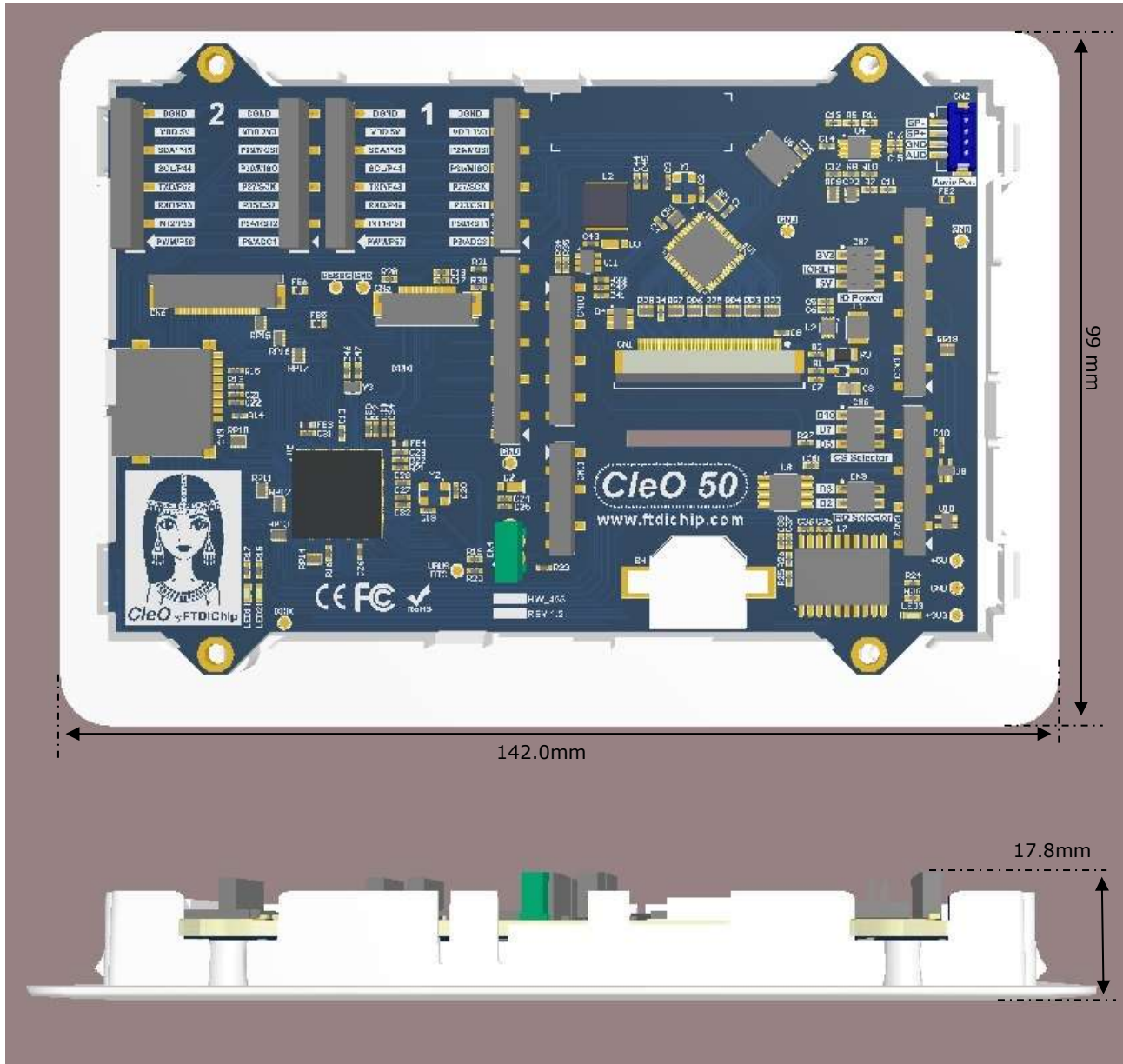
## 7 Block Diagram



**Figure 11 - CleO50 Block Diagram**

## 8 Mechanical Dimensions

### 8.1 CleO50 Module Dimensions

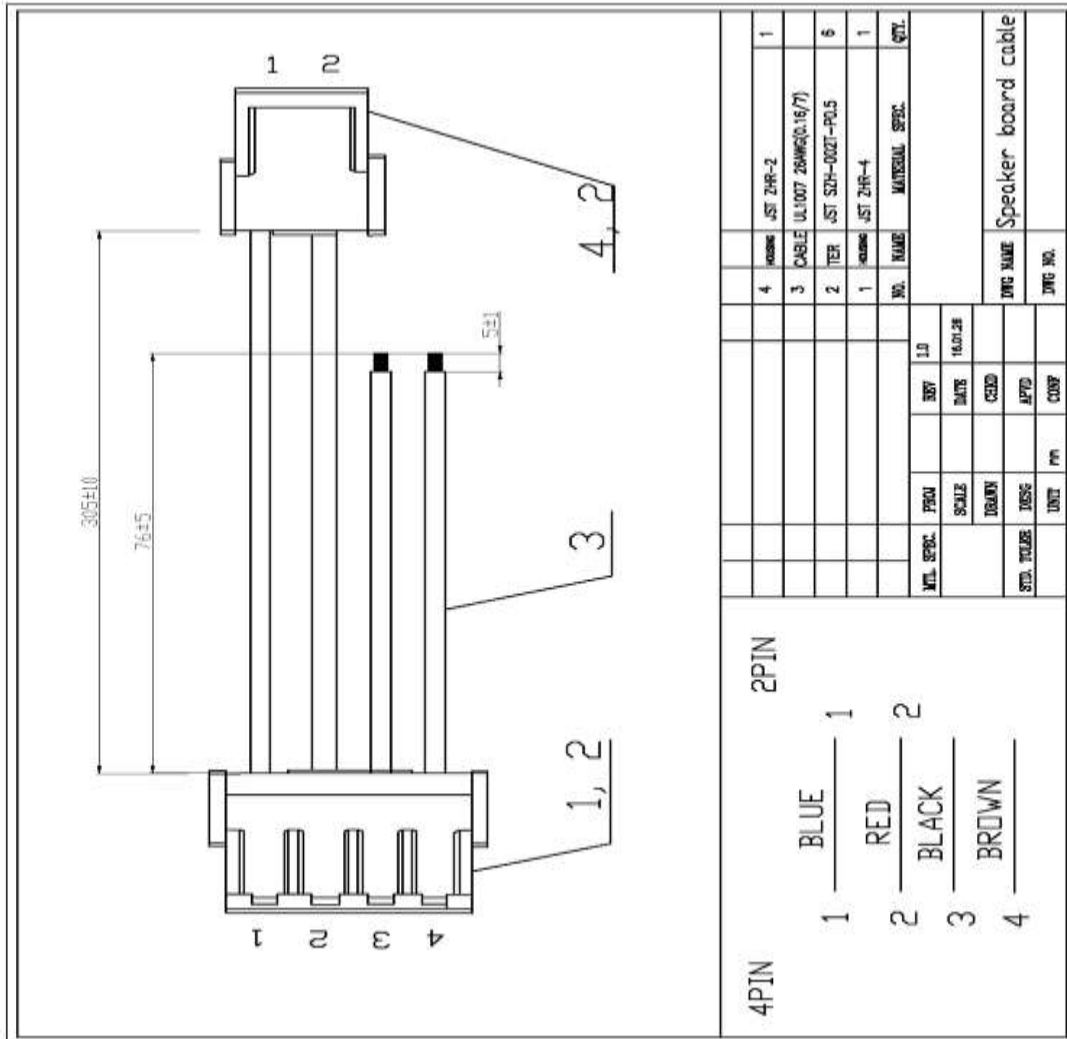


**Figure 12 – CleO50 Module Dimensions**





### 8.3 Speaker Cable Drawing



**Figure 14 – Speaker Cable Drawing**

Pin No	Pin Description	Cable Colour
1	Speaker Negative Terminal	Blue
2	Speaker Positive Terminal	Red
3	Ground	Black
4	External Line In	Brown

**Table 17 – Cable Pin Out Definition**

## 9 Contact Information

### Head Quarters – Singapore

Bridgetek Pte Ltd  
178 Paya Lebar Road, #07-03  
Singapore 409030  
Tel: +65 6547 4827  
Fax: +65 6841 6071

E-mail (Sales) [sales.apac@brtchip.com](mailto:sales.apac@brtchip.com)  
E-mail (Support) [support.apac@brtchip.com](mailto:support.apac@brtchip.com)

### Branch Office – Taipei, Taiwan

Bridgetek Pte Ltd, Taiwan Branch  
2 Floor, No. 516, Sec. 1, Nei Hu Road, Nei Hu District  
Taipei 114  
Taiwan, R.O.C.  
Tel: +886 (2) 8797 5691  
Fax: +886 (2) 8751 9737

E-mail (Sales) [sales.apac@brtchip.com](mailto:sales.apac@brtchip.com)  
E-mail (Support) [support.apac@brtchip.com](mailto:support.apac@brtchip.com)

### Branch Office - Glasgow, United Kingdom

Bridgetek Pte. Ltd.  
Unit 1, 2 Seaward Place, Centurion Business Park  
Glasgow G41 1HH  
United Kingdom  
Tel: +44 (0) 141 429 2777  
Fax: +44 (0) 141 429 2758

E-mail (Sales) [sales.emea@brtchip.com](mailto:sales.emea@brtchip.com)  
E-mail (Support) [support.emea@brtchip.com](mailto:support.emea@brtchip.com)

### Branch Office – Vietnam

Bridgetek VietNam Company Limited  
Lutaco Tower Building, 5th Floor, 173A Nguyen Van  
Troï,  
Ward 11, Phu Nhuan District,  
Ho Chi Minh City, Vietnam  
Tel : 08 38453222  
Fax : 08 38455222

E-mail (Sales) [sales.apac@brtchip.com](mailto:sales.apac@brtchip.com)  
E-mail (Support) [support.apac@brtchip.com](mailto:support.apac@brtchip.com)

### Web Site

<http://brtchip.com/>

### Distributor and Sales Representatives

Please visit the Sales Network page of the [Bridgetek Web site](#) for the contact details of our distributor(s) and sales representative(s) in your country.

System and equipment manufacturers and designers are responsible to ensure that their systems, and any Bridgetek Pte Ltd (BRTChip) devices incorporated in their systems, meet all applicable safety, regulatory and system-level performance requirements. All application-related information in this document (including application descriptions, suggested Bridgetek devices and other materials) is provided for reference only. While Bridgetek has taken care to assure it is accurate, this information is subject to customer confirmation, and Bridgetek disclaims all liability for system designs and for any applications assistance provided by Bridgetek. Use of Bridgetek devices in life support and/or safety applications is entirely at the user's risk, and the user agrees to defend, indemnify and hold harmless Bridgetek from any and all damages, claims, suits or expense resulting from such use. This document is subject to change without notice. No freedom to use patents or other intellectual property rights is implied by the publication of this document. Neither the whole nor any part of the information contained in, or the product described in this document, may be adapted or reproduced in any material or electronic form without the prior written consent of the copyright holder. Bridgetek Pte Ltd, 178 Paya Lebar Road, #07-03, Singapore 409030. Singapore Registered Company Number: 201542387H.

## Appendix A – References

### Document References

For module documentations, please refer to URL below:

FT81x series datasheet: [FT81x datasheet](#)

FT90X series datasheet: [FT90X Series Datasheet](#)

FT900 tool chain installation guide : [FT900 Tool Chain Installation Guide](#)

FT900 Bootloader DFU usage guide: [FT900 Bootloader DFU Usage Application Note](#)

mikroBus: <http://www.mikroe.com/mikrobus/>

Arduino: <https://www.arduino.cc/>

CleOStuff tools: [CleOstuff](#)

### Acronyms and Abbreviations

Terms	Description
DC	Direct Current
QFN	Quad-flat no-leads
LED	Light-emitting diode
MCU	MicroController Unit
VQFN	Very Thin Quad Flat Non-Leaded Package
USB	Universal Serial Bus
UART	Universal Asynchronous Receiver/Transmitter

## Appendix B - List of Figures and Tables

### List of Tables

Table 1 – LCD Connector Pin Out.....	9
Table 2 – Camera Connector Pin Out.....	10
Table 3 – Audio Connector Pin Out.....	11
Table 4 – CN7 Jumper Selection .....	12
Table 5 – CN8 Jumper Selection .....	12
Table 6 – CN13 Pin Out .....	13
Table 7 – CN12 Pin Out .....	13
Table 8 - MikroBUS 1 Interface Pin Out .....	14
Table 9 - MikroBUS 2 Interface Pin Out .....	14
Table 10 – CN16 Pin Out .....	15
Table 11 – CN10 Pin Out .....	15
Table 12 – CN9 Jumper Selection .....	16
Table 13 - Temperature Parameter .....	17
Table 14 – Operating Voltage and Current .....	17
Table 15 – Display Specification .....	18
Table 16 – 5.0 Inch TFT Optical Specification .....	18
Table 17 – Cable Pin Out Definition.....	26

### List of Figures

Figure 1 - <i>CleO50</i> Bottom View .....	5
Figure 2 - Power Supply .....	6
Figure 3 – MicroSD Interface .....	7
Figure 4 – LCD Interface .....	9
Figure 5 – Camera Interface .....	11
Figure 6 – Speaker Amplifier Circuitry .....	12
Figure 7 – Viewing Angle of the LCD .....	19
Figure 8 – Sheet 1 – FT812Q Connection.....	20
Figure 9 – Sheet 2 – FT900Q Connection.....	21
Figure 10 – Sheet 3 – Power and Connectors .....	22
Figure 11 – <i>CleO50</i> Block Diagram .....	23
Figure 12 – <i>CleO50</i> Module Dimensions.....	24
Figure 13 – <i>CleO50</i> Bezel Drawing .....	25
Figure 14 – Speaker Cable Drawing .....	26

## Appendix C – Revision History

Document Title: CleO50 Module Datasheet  
Document Reference No.: BRT\_000205  
Clearance No.: BRT#045  
Product Page: <http://brtchip.com/m-cleo50/>  
Document Feedback: [Send Feedback](#)

Revision	Changes	Date
Version 1.0	Initial Release	2016-10-26
Version 1.1	Document migrated from FTDI/BRT Dual branding to BRT Added information related to <i>CleO</i> Speaker	2017-09-21

Компания «Life Electronics» занимается поставками электронных компонентов импортного и отечественного производства от производителей и со складов крупных дистрибьюторов Европы, Америки и Азии.

С конца 2013 года компания активно расширяет линейку поставок компонентов по направлению коаксиальный кабель, кварцевые генераторы и конденсаторы (керамические, пленочные, электролитические), за счёт заключения дистрибьюторских договоров

Мы предлагаем:

- Конкуренспособные цены и скидки постоянным клиентам.
- Специальные условия для постоянных клиентов.
- Подбор аналогов.
- Поставку компонентов в любых объемах, удовлетворяющих вашим потребностям.
- Приемлемые сроки поставки, возможна ускоренная поставка.
- Доставку товара в любую точку России и стран СНГ.
- Комплексную поставку.
- Работу по проектам и поставку образцов.
- Формирование склада под заказчика.
- Сертификаты соответствия на поставляемую продукцию (по желанию клиента).
- Тестирование поставляемой продукции.
- Поставку компонентов, требующих военную и космическую приемку.
- Входной контроль качества.
- Наличие сертификата ISO.

В составе нашей компании организован Конструкторский отдел, призванный помогать разработчикам, и инженерам.

Конструкторский отдел помогает осуществить:

- Регистрацию проекта у производителя компонентов.
- Техническую поддержку проекта.
- Защиту от снятия компонента с производства.
- Оценку стоимости проекта по компонентам.
- Изготовление тестовой платы монтаж и пусконаладочные работы.



Тел: +7 (812) 336 43 04 (многоканальный)

Email: [org@lifeelectronics.ru](mailto:org@lifeelectronics.ru)