

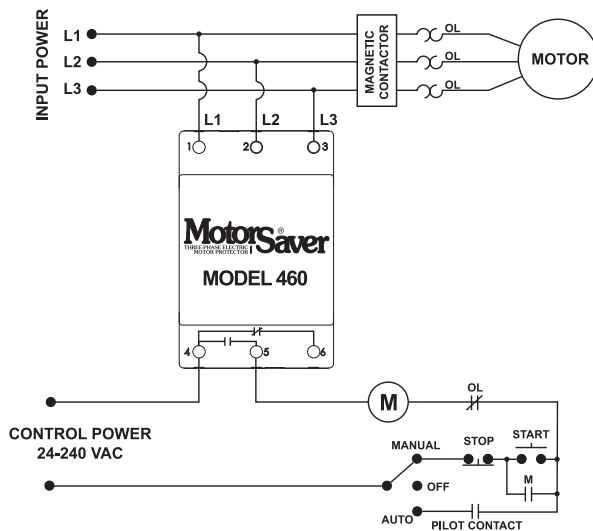
460 SERIES

3-Phase Voltage Monitor



Wiring Diagram

TYPICAL WIRING DIAGRAM FOR MODEL 460 WITH MOTOR CONTROL



Description

The 460 is a 3-phase voltage monitor that protects 190-480VAC or 475-600V, 50/60Hz motors regardless of size. The product provides a user selectable nominal voltage setpoint and the voltage monitor automatically senses line voltage.

This unique microcontroller-based voltage and phase-sensing device constantly monitors the 3-phase voltages to detect harmful power line conditions such as low, high, and unbalanced voltage, loss of any phase, and phase reversal. When a harmful condition is detected, the MotorSaver[®] output relay is deactivated after a specified trip delay. The output relay reactivates after power line conditions return to an acceptable level for a specified amount of time (restart delay). The trip and restart delays prevent nuisance tripping due to rapidly fluctuating power line conditions.

All 460 models feature adjustable 1-30 second trip delay, 1-500 second restart delay, 2-8% voltage unbalance trip point, and one form C contact except where noted below.

Features & Benefits

FEATURES	BENEFITS
Auto-sensing wide voltage range	Automatically senses system voltage between 190 - 480VAC or 475-600VAC. Saves set-up time
Adjustable trip & restart delay settings	Prevent nuisance tripping due to rapidly fluctuating power line conditions
Microcontroller based circuitry	Improved accuracy and higher reliability
Advanced LED diagnostics	Quick visual indicator for cause of trip and relay status
Adjustable voltage unbalance trip setting	Provides reliable protection when regenerative voltage is present

Ordering Information

MODEL	VOLTAGE	DESCRIPTION
460	190-480VAC	Automatically senses line voltage, adjustable 1-30 second trip delay, 1-500 second restart delay, and 2-8% voltage unbalance trip point
460-L	190-480VAC	Fixed 4 second trip delay and 1 second for single-phase faults, and fixed 6% voltage unbalance trip point
460-14	190-480VAC	Equipped with 2 sets of contacts: Form A (NO) and Form B (NC). Used for applications requiring 2 different voltages such as 5VDC for a PLC input and 115VAC for an alarm
460-575	475-600VAC	Commonly used in Eastern Canada and on generator units that generate 600 VAC power
460-575-14	475-600VAC	Commonly used in Eastern Canada and on generator units that generate 600 VAC power. Equipped with 2 sets of contacts: Form A and Form B
460-15	190-480VAC	Equipped with 2 sets of Form A (NO) contacts. Used on applications where two different units are to be controlled at once such as a unit that has separate contacts for a compressor and a fan
460-MR	190-480VAC	Equipped with a 2-prong connection for a normally open push button mounted outside the panel. Used in applications requiring an external manual reset button
460-VBM	190-480VAC	Fixed 6% voltage unbalance trip point. User adjustable low and high voltage trip points
460-400HZ	190-480VAC	For use with 400Hz power supply
460-OEM	190-480VAC	Bulk package of 460, 20 units
460L-OEM	190-480VAC	Bulk package of 460-L, 20 units

460 SERIES

Specifications

Frequency	50/60Hz
Low Voltage (% of setpoint)	
Trip	90% ±1%
Reset	93% ±1%
High Voltage (% of setpoint)	
Trip	110% ±1%
Reset	107% ±1%
Voltage Unbalance (NEMA)	
Trip	2-8% adjustable
Reset	Trip setting minus 1% (5-8%) Trip setting minus 0.5% (2-4%)
460L	6% UB fixed (4.5% reset)
Trip Delay Time	
Low, High and Unbalanced Voltage	1-30 seconds adjustable
460L	4 seconds fixed
Single-Phase Faults (>15% UB)	1 second fixed
Restart Delay Time	
After a Fault	1-500 seconds adjustable
After a Complete Power Loss	1-500 seconds adjustable
Output Contact Rating	
Form C	
Pilot Duty	480VA @ 240VAC, B300
General Purpose	10A @ 240VAC
Form A & Form B	
Pilot Duty	360VA @ 240VAC, B300
General Purpose	8A @ 240VAC

Ambient Temperature Range

Operating	-20° to 70°C (-4° to 158°F)
Storage	-40° to 80°C (-40° to 176°F)
Maximum Input Power	6 W
Class of Protection	IP20, NEMA 1 (finger safe)
Relative Humidity	10-95%, non-condensing per IEC 68-2-3
Terminal Torque	4.5 in.-lbs.
Wire Type	Stranded or solid 12-20 AWG, one per terminal
Standards Passed	
Electrostatic Discharge (ESD)	IEC 61000-4-2, Level 3, 6kV contact, 8kV air
RFI, Radiated	150 MHz, 10V/m
Fast Transient Burst	IEC 61000-4-4, Level 3, 3.5kV input power and controls

Surge

IEC	IEC 61000-4-5, Level 3, 4kV line-to-line; Level 4, 4kV line-to-ground
ANSI/IEEE	C62.41 Surge and Ring Wave Compliance to a level of 6kV line-to-line
Hi-potential Test	Meets UL508 (2 x rated V +1000V for 1 minute)

Safety Marks

UL	UL508 (File #E68520)
CE	IEC 60947-6-2
Enclosure	Polycarbonate
Dimensions	H 88.9 mm (3.5"); W 52.9 mm (2.08"); D 59.69 mm (2.35")
Weight	0.7 lb. (11.2 oz., 317.51 g)
Mounting Method	35 mm DIN rail or Surface Mount (#6 or #8 screws)
460-MR (manual reset)	External NO pushbutton required.

Компания «Life Electronics» занимается поставками электронных компонентов импортного и отечественного производства от производителей и со складов крупных дистрибьюторов Европы, Америки и Азии.

С конца 2013 года компания активно расширяет линейку поставок компонентов по направлению коаксиальный кабель, кварцевые генераторы и конденсаторы (керамические, пленочные, электролитические), за счёт заключения дистрибьюторских договоров

Мы предлагаем:

- Конкуренспособные цены и скидки постоянным клиентам.
- Специальные условия для постоянных клиентов.
- Подбор аналогов.
- Поставку компонентов в любых объемах, удовлетворяющих вашим потребностям.
- Приемлемые сроки поставки, возможна ускоренная поставка.
- Доставку товара в любую точку России и стран СНГ.
- Комплексную поставку.
- Работу по проектам и поставку образцов.
- Формирование склада под заказчика.
- Сертификаты соответствия на поставляемую продукцию (по желанию клиента).
- Тестирование поставляемой продукции.
- Поставку компонентов, требующих военную и космическую приемку.
- Входной контроль качества.
- Наличие сертификата ISO.

В составе нашей компании организован Конструкторский отдел, призванный помогать разработчикам, и инженерам.

Конструкторский отдел помогает осуществить:

- Регистрацию проекта у производителя компонентов.
- Техническую поддержку проекта.
- Защиту от снятия компонента с производства.
- Оценку стоимости проекта по компонентам.
- Изготовление тестовой платы монтаж и пусконаладочные работы.



Тел: +7 (812) 336 43 04 (многоканальный)

Email: org@lifeelectronics.ru